

[54] HAND HOLDABLE HOUSING FOR GAME

[75] Inventor: Katsumi Sato, Tokyo, Japan

[73] Assignee: Tomy Kogyo Co., Inc., Japan

[**] Term: 14 Years

[21] Appl. No.: 337,922

[22] Filed: Jan. 8, 1982

[30] Foreign Application Priority Data

Dec. 5, 1981 [JP] Japan 56/53922

[51] Int. Cl. D21-01

[52] U.S. Cl. D21/13

[58] Field of Search D21/13; 273/1 E, 1 ES, 273/85 G, 86 B, DIG. 28, 237; D14/106

[56] References Cited

U.S. PATENT DOCUMENTS

D. 250,780 1/1979 Sauter D21/13

OTHER PUBLICATIONS

Sears Xmas Wish Book, 1980, p. 662, lower right, Item 4, Digital Derby.

Montgomery Ward Xmas Cat., 1980, p. 485, lower left, Item G, Break Up.

Primary Examiner—Melvin B. Feifer

Attorney, Agent, or Firm—K. H. Boswell; Edward D. O'Brian

[57] CLAIM

The ornamental design for hand holdable housing for game, substantially as shown and described.

DESCRIPTION

FIG. 1 is an oblique view of the front, the top and the right side of my new design for a hand holdable game housing;

FIG. 2 is a side elevational view of the left side of the design of FIG. 1;

FIG. 3 is a rear elevational view of the design of FIG. 1; and

FIG. 4 is a bottom plan view of the design of FIG. 1.

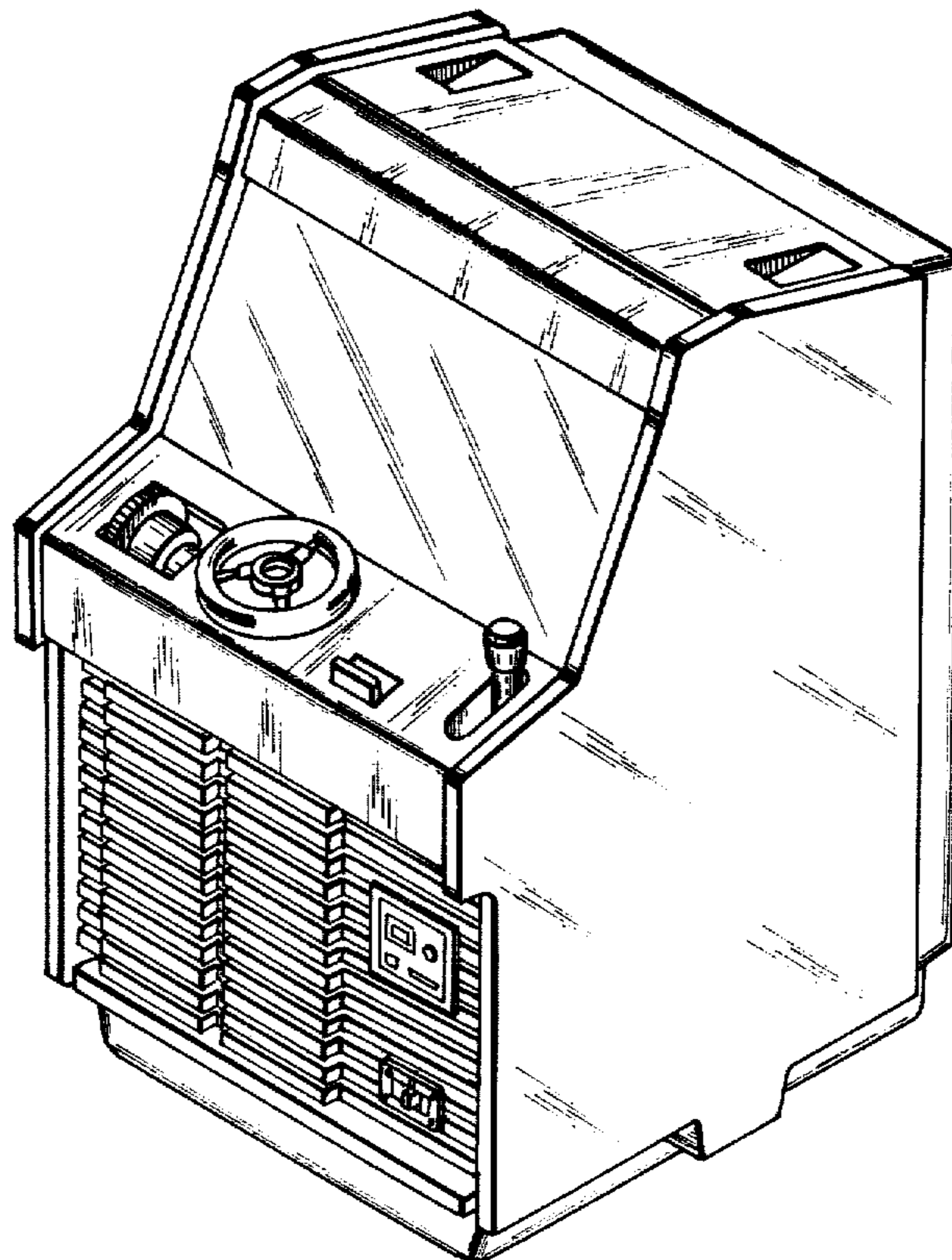


FIG. 1

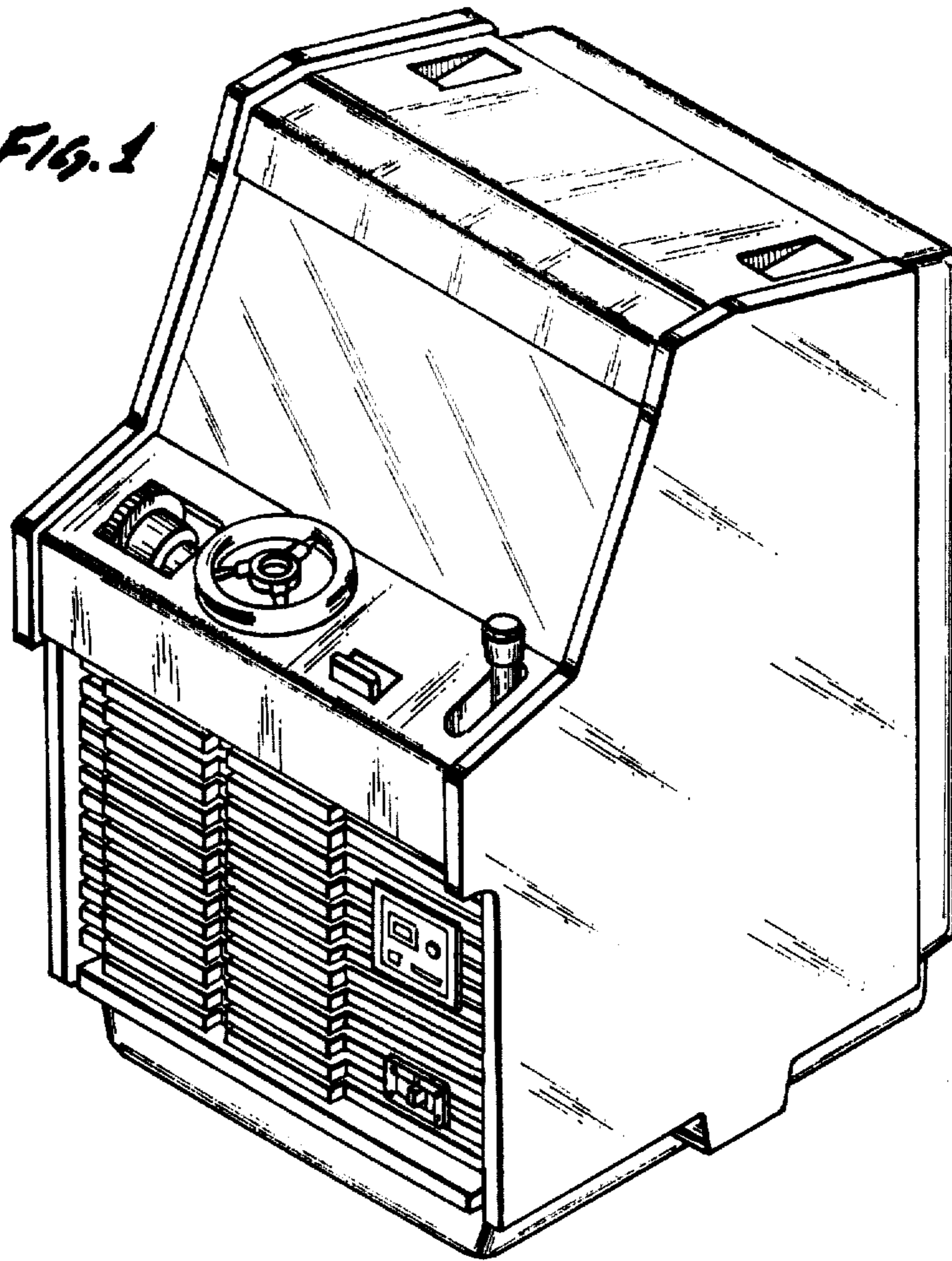
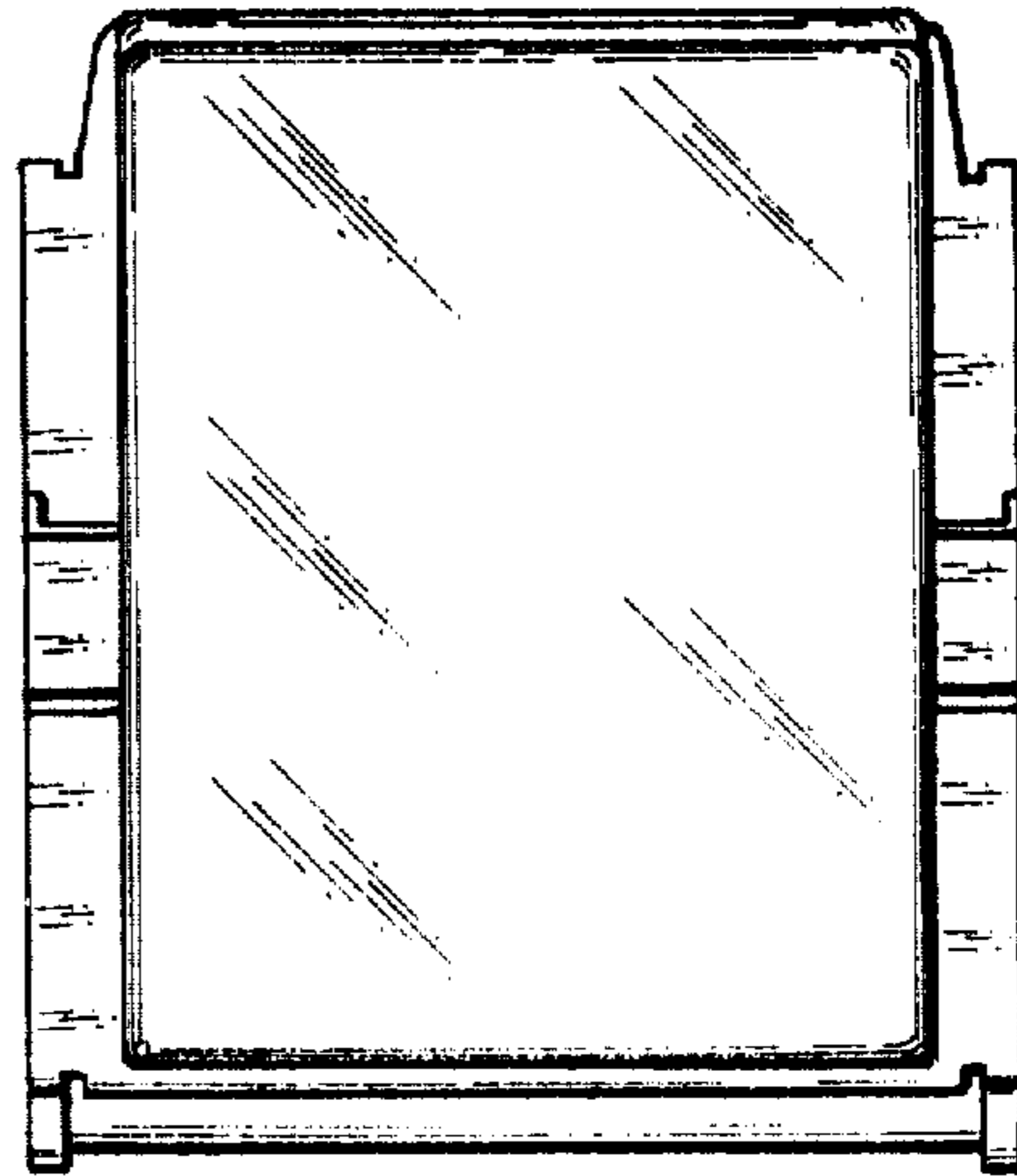


FIG. 4



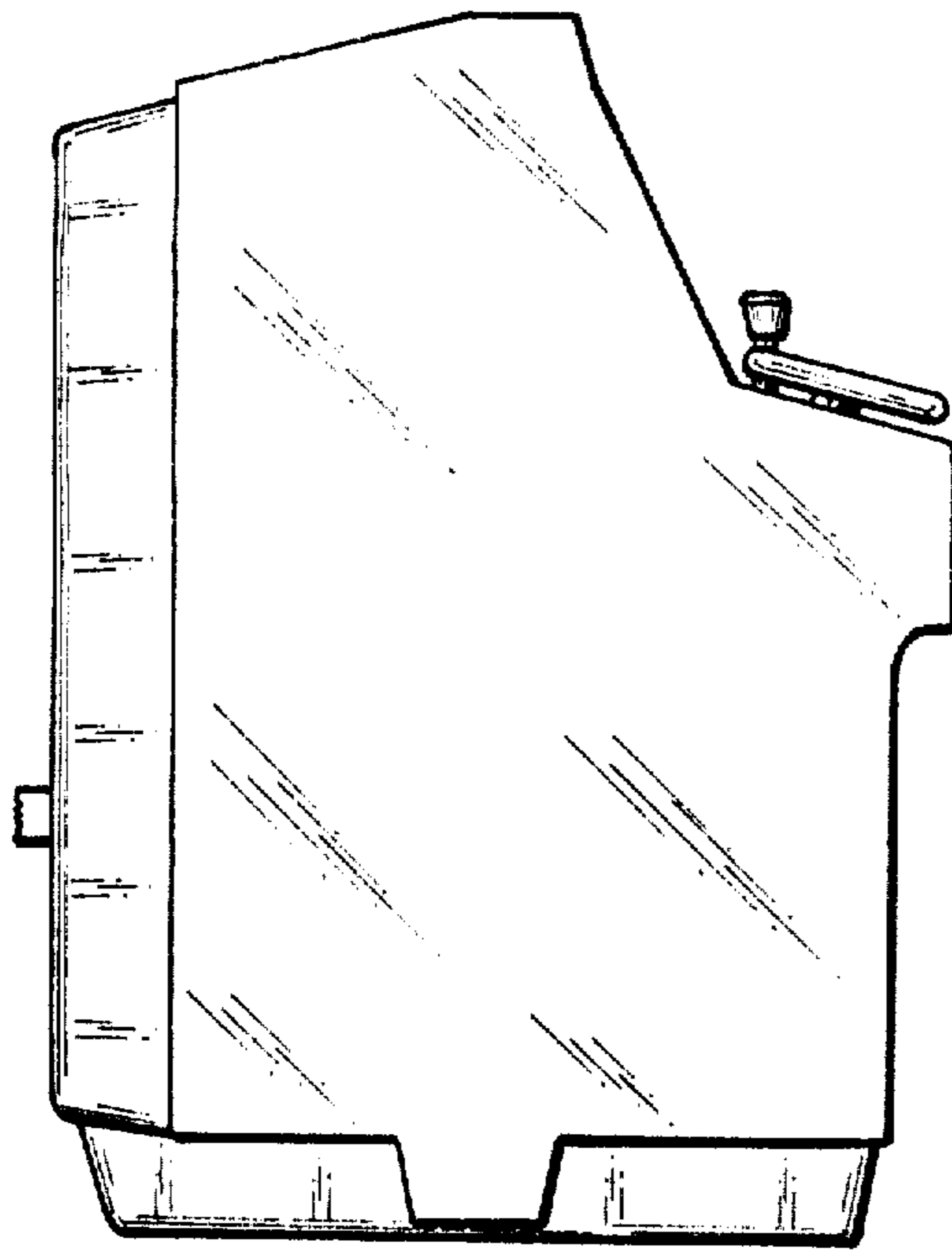


Fig. 2

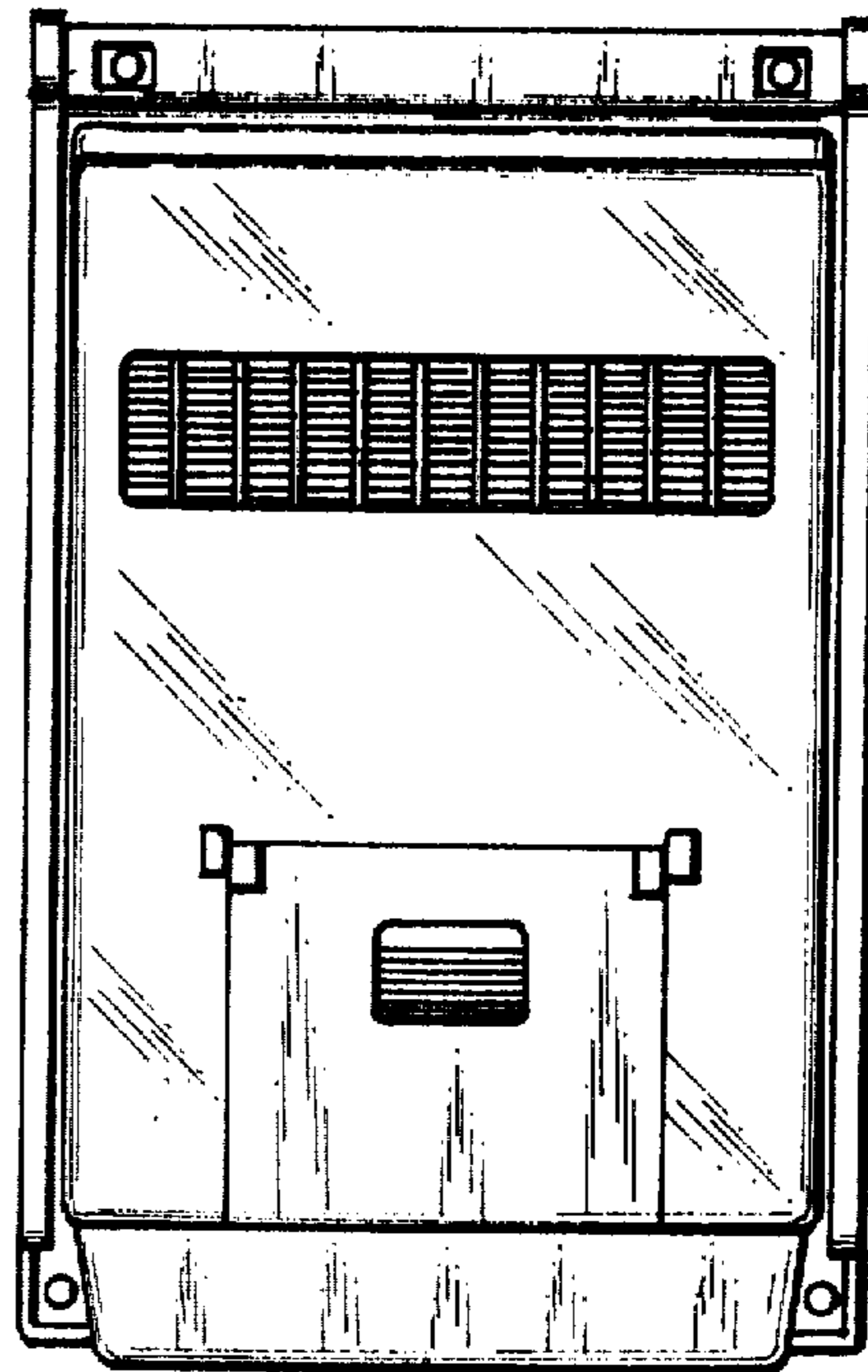


Fig. 3