

[54] COUNTER TOP PNEUMATIC CONVEYOR TERMINAL

[76] Inventor: Harold R. Greene, 2617 Tarba Dr., Dallas, Tex. 75229

[**] Term: 14 Years

[21] Appl. No.: 265,024

[22] Filed: May 18, 1981

[51] Int. Cl. D12-05

[52] U.S. Cl. D18/35

[58] Field of Search D18/35; D99/28; 406/110-112, 147-150, 176-180

[56] References Cited

U.S. PATENT DOCUMENTS

D. 264,264	5/1982	Hauser et al.	D99/28
394,552	12/1888	Barri	406/112 X
4,135,684	1/1979	Willey	406/112 X

OTHER PUBLICATIONS

Tel-Air System Five, Lefebvre, Div. of Walter Kidde & Co., Inc. inside back cover—Under Counter Tube Terminal.

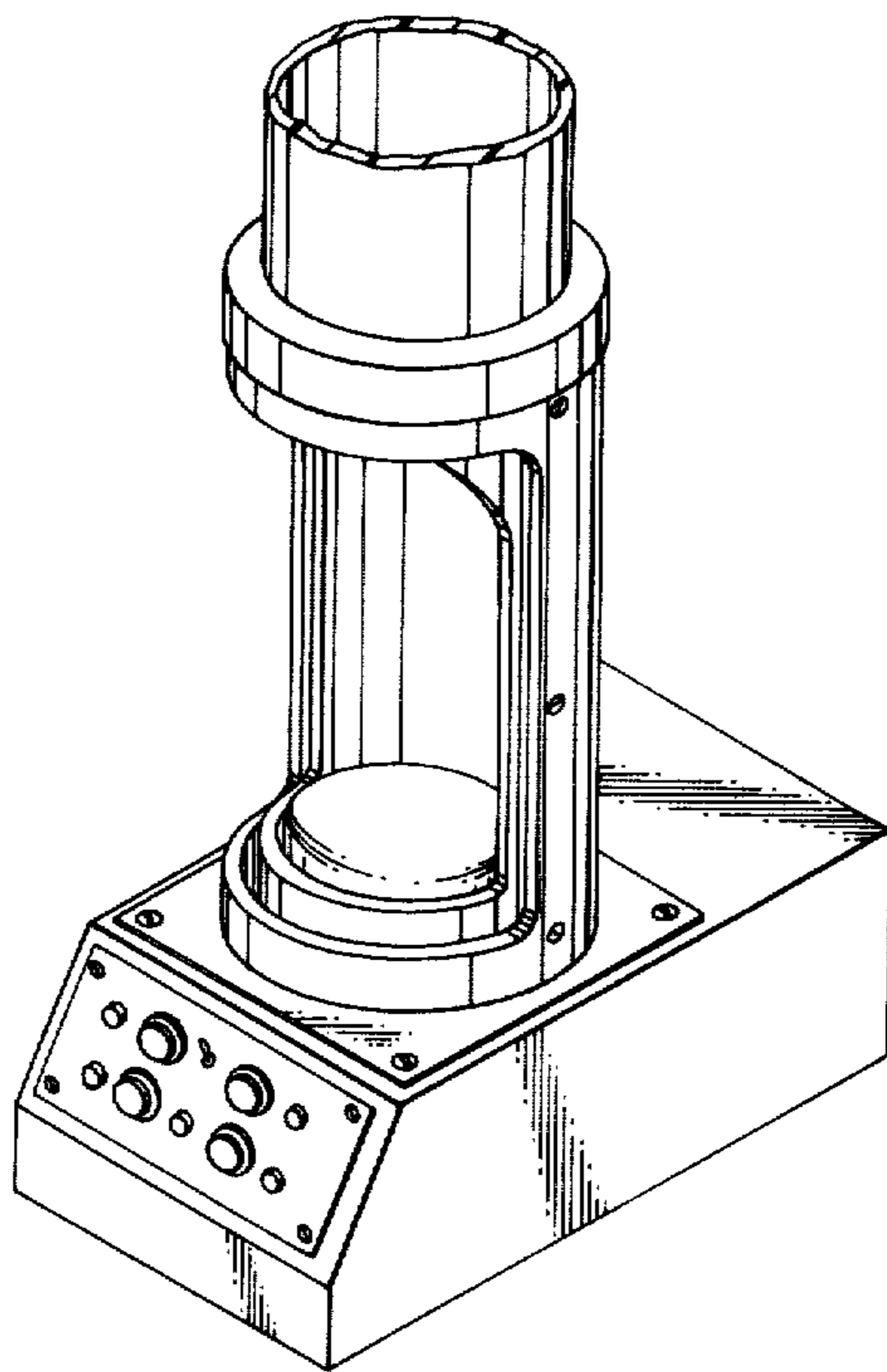
Primary Examiner—Louis S. Zarfes
Attorney, Agent, or Firm—Gerald G. Crutsinger; John F. Booth; Monty L. Ross

[57] CLAIM

The ornamental design for a counter top pneumatic conveyor terminal, substantially as shown and described.

DESCRIPTION

FIG. 1 is a perspective view of a countertop pneumatic conveyor terminal showing my new design in open position; FIG. 2 is a right side elevational view thereof; FIG. 3 is a front elevational view thereof; and FIG. 4 is a left side elevational view of the terminal in closed position.



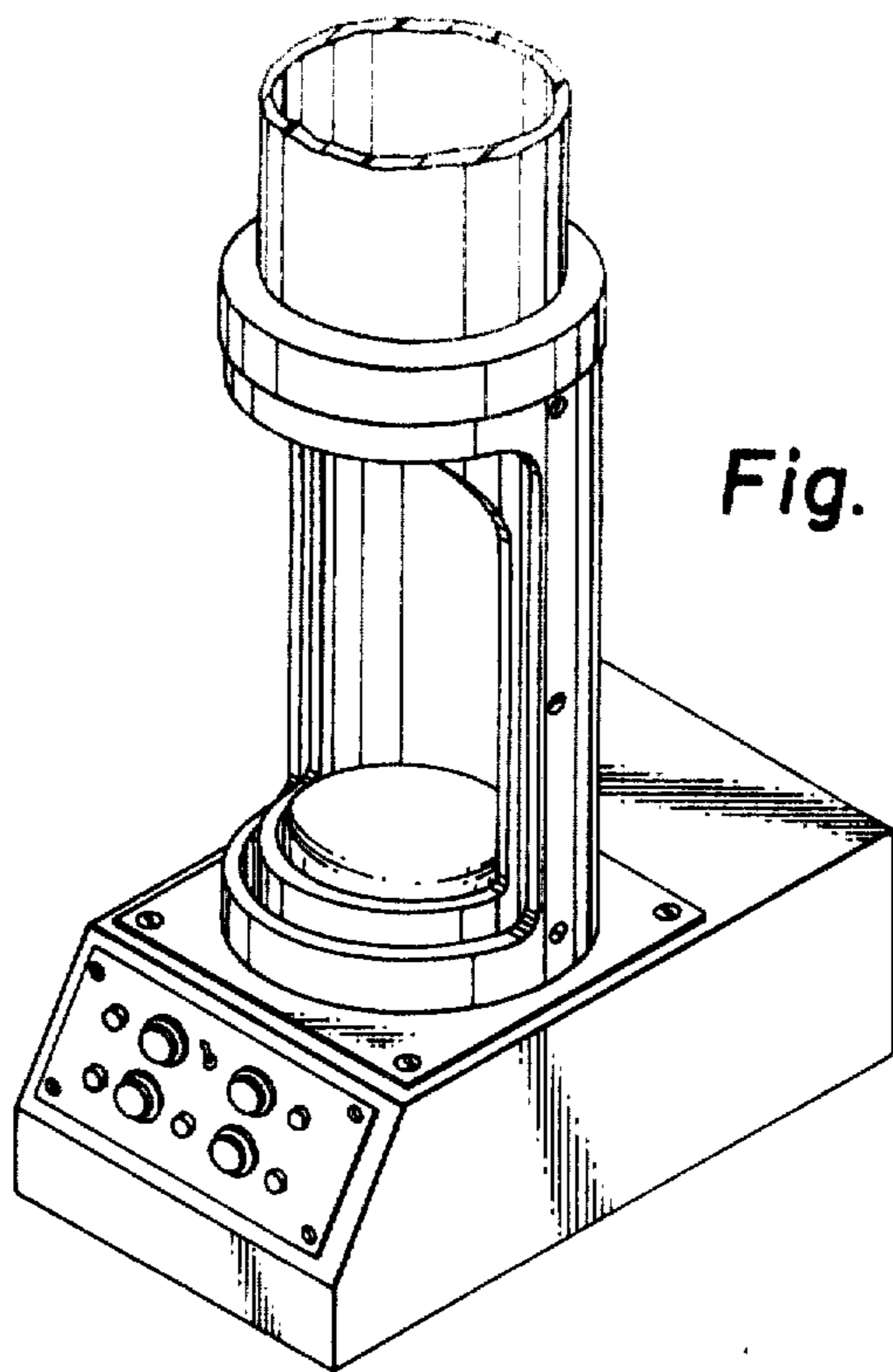


Fig. 1

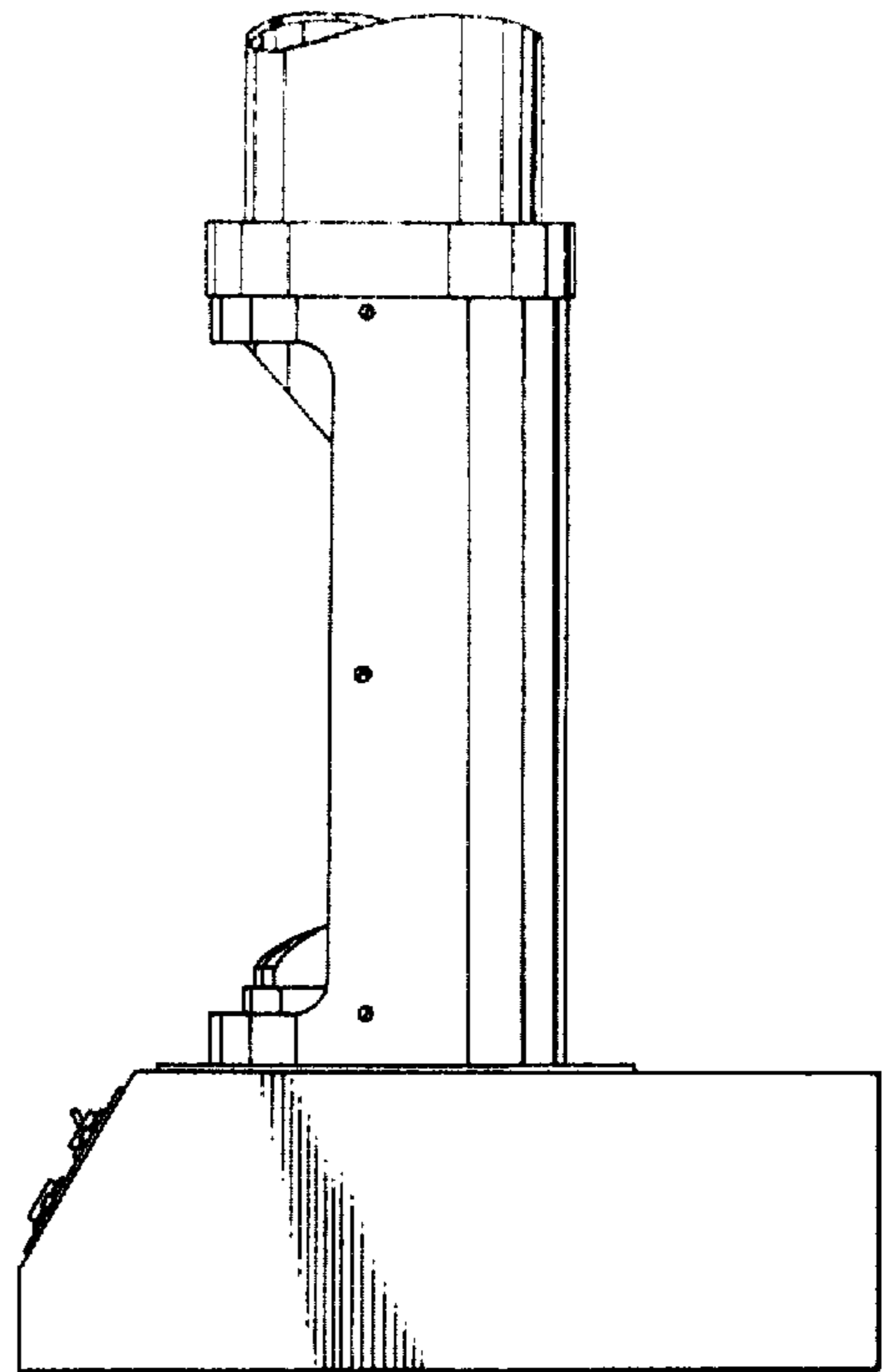


Fig. 2

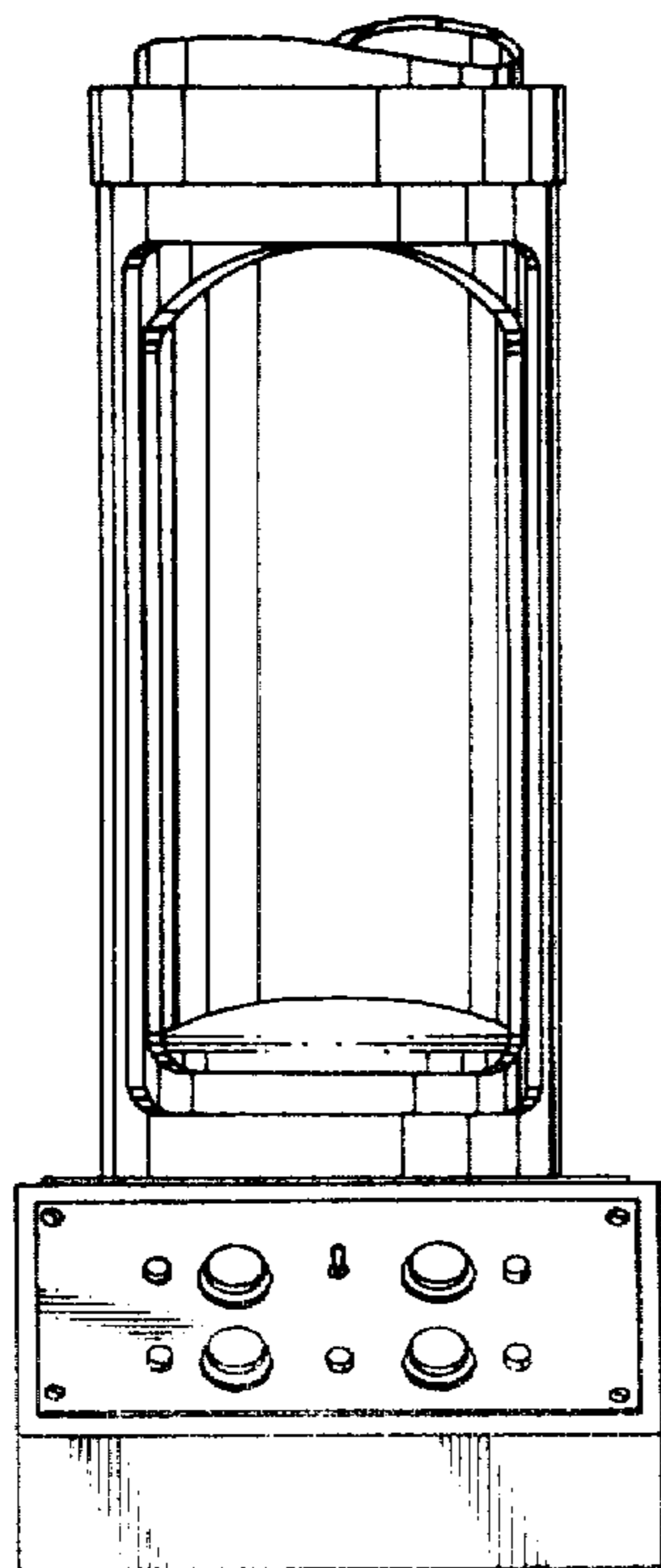


Fig. 3

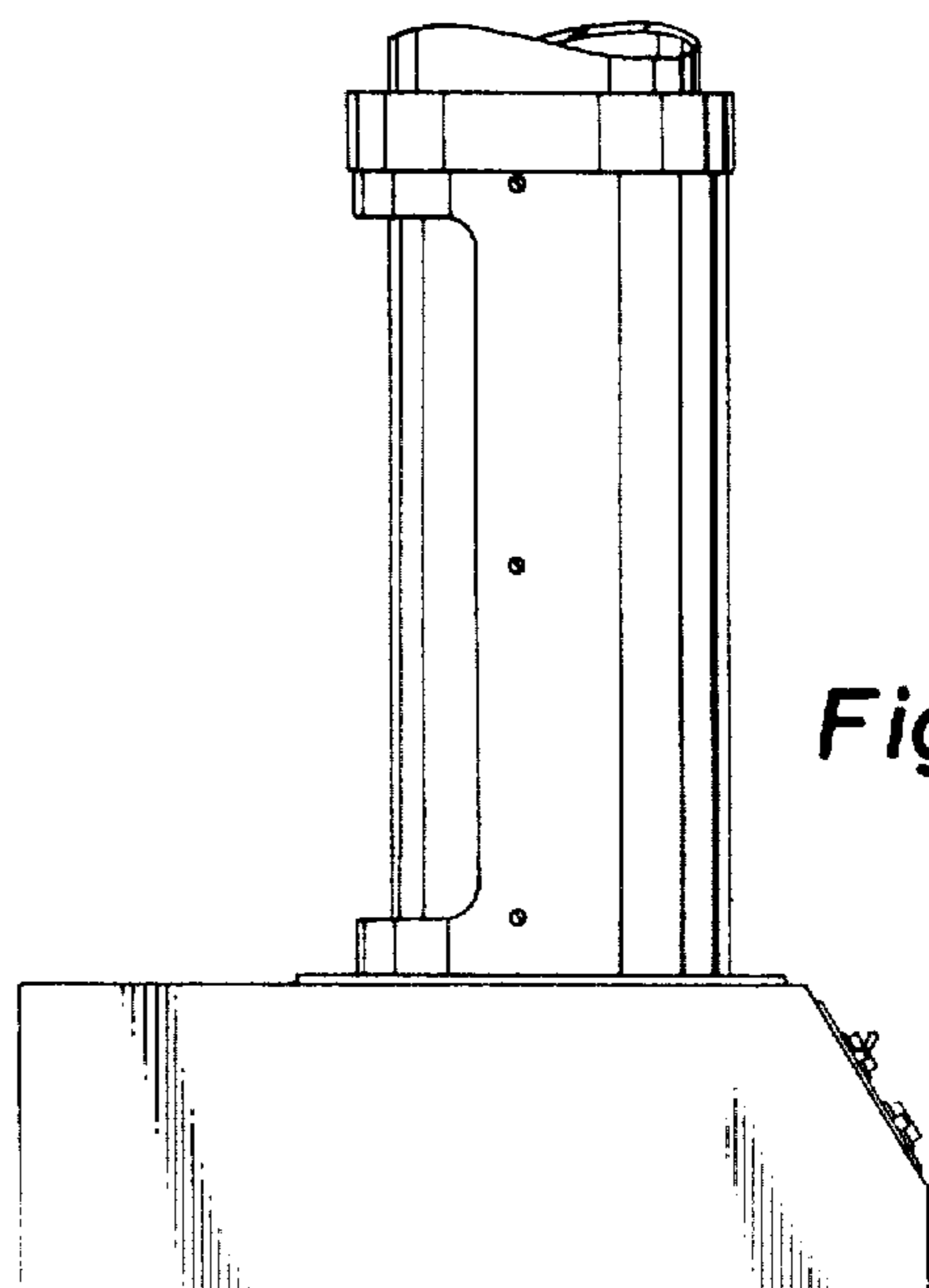


Fig. 4