

[54] **COMBINED VIBRATOR AND HOPPER FOR A MORTAR APPLYING MACHINE**

[76] Inventor: **Norris Price**, 953 A Main St., Church Hill, Tenn. 37642

[\*\*] Term: **14 Years**

[21] Appl. No.: **181,792**

[22] Filed: **Aug. 27, 1980**

[51] Int. Cl. .... **D15-04**

[52] U.S. Cl. .... **D15/13**

[58] Field of Search ..... **D15/13; 222/166, 200, 222/199, 611.1; D8/71**

[56] **References Cited**

**U.S. PATENT DOCUMENTS**

4,043,487 8/1977 Price ..... 266/166

**OTHER PUBLICATIONS**

F. M. Anthony Co., "Industrial Price List" brochure, Electrical Connector Box X-26, at p. 8 of brochure.

*Primary Examiner*—Wallace R. Burke

*Assistant Examiner*—Horace B. Fay, Jr.

*Attorney, Agent, or Firm*—Victor J. Evans & Co.

[57] **CLAIM**

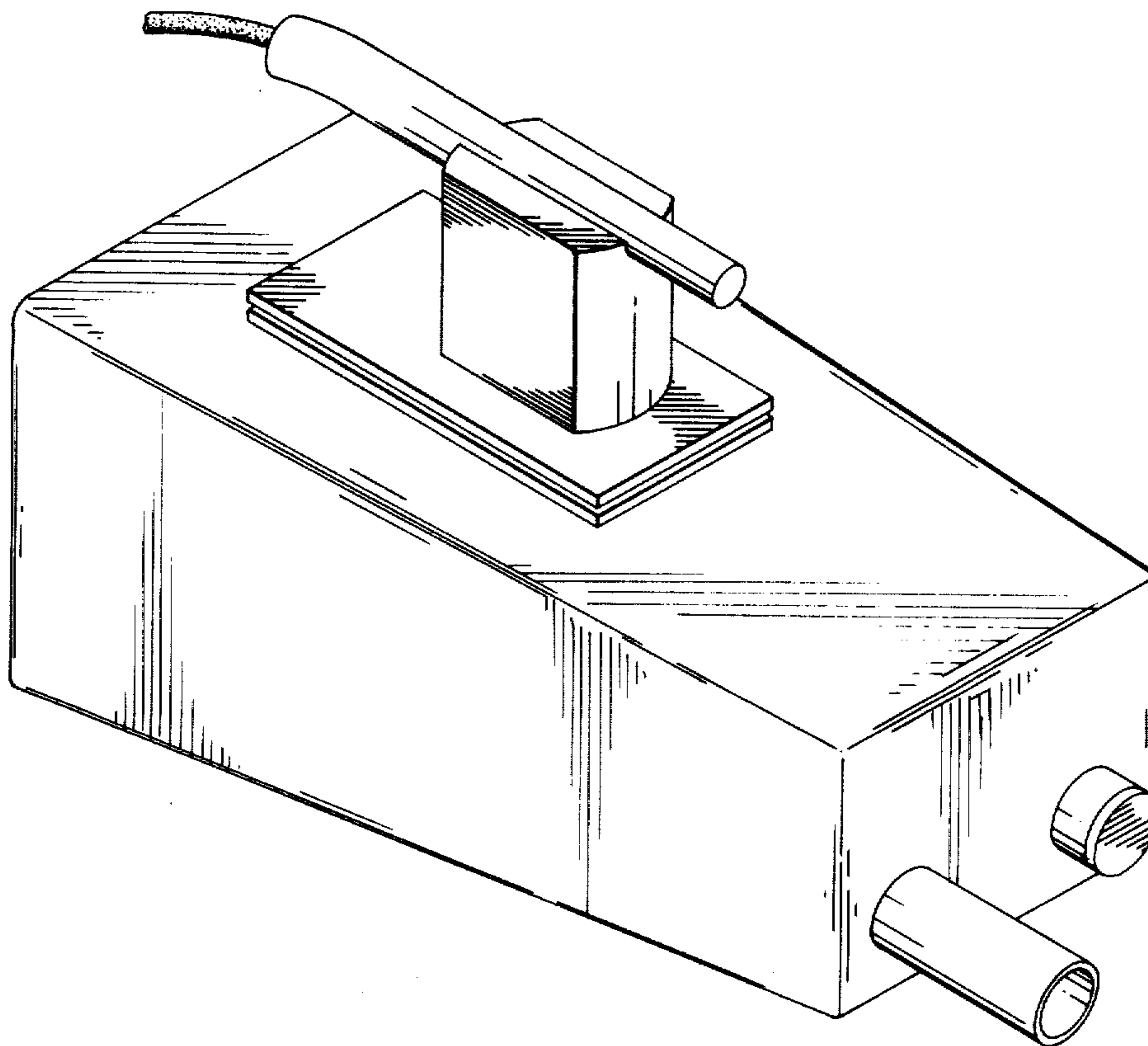
The ornamental design for a combined vibrator and hopper for a mortar applying machine, substantially as shown and described.

**DESCRIPTION**

FIG. 1 is a perspective view of a combined vibrator and hopper for a mortar applying machine showing my new design;

FIG. 2 is a rear view thereof; and

FIG. 3 is a bottom view thereof.



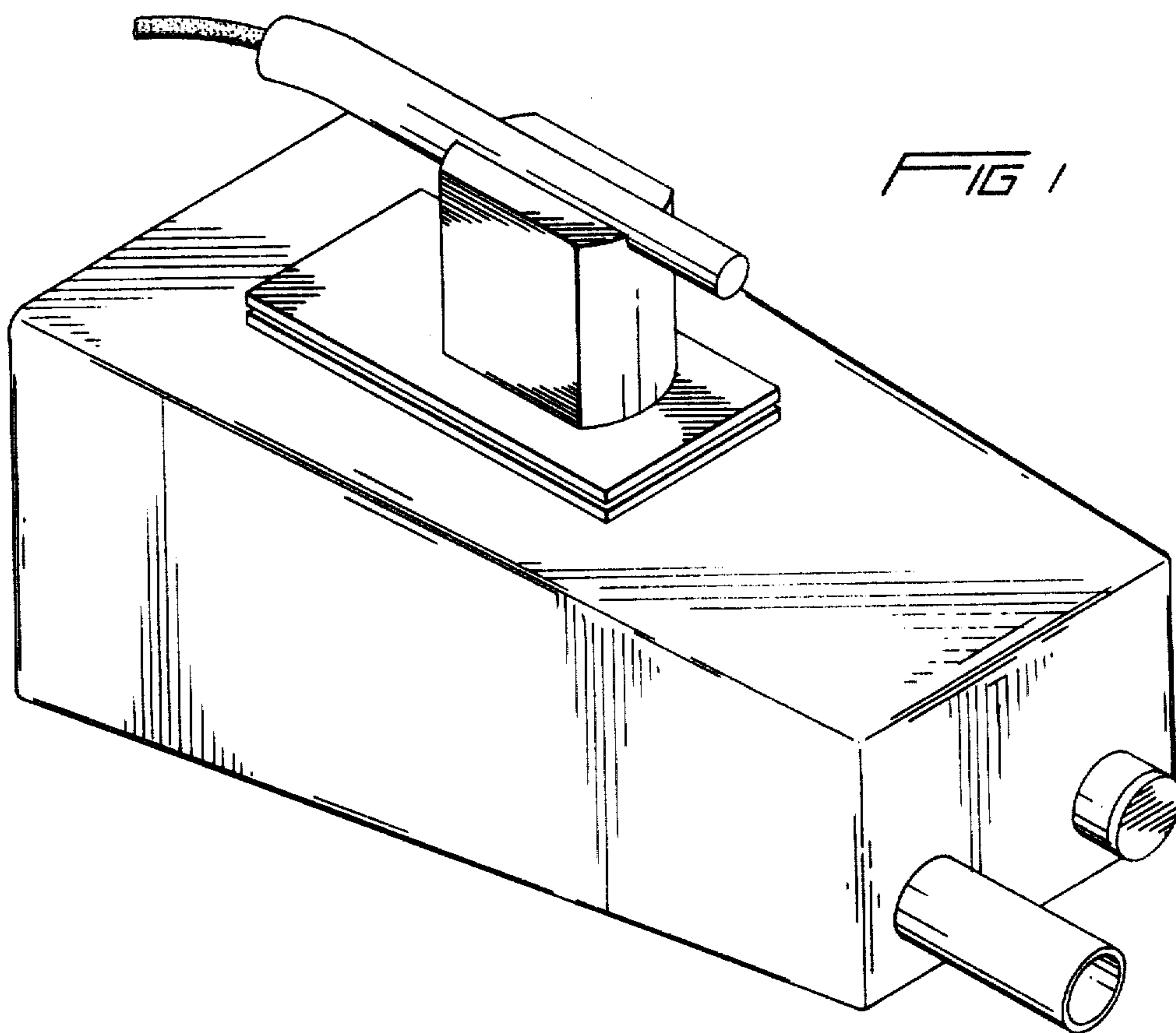


FIG 1

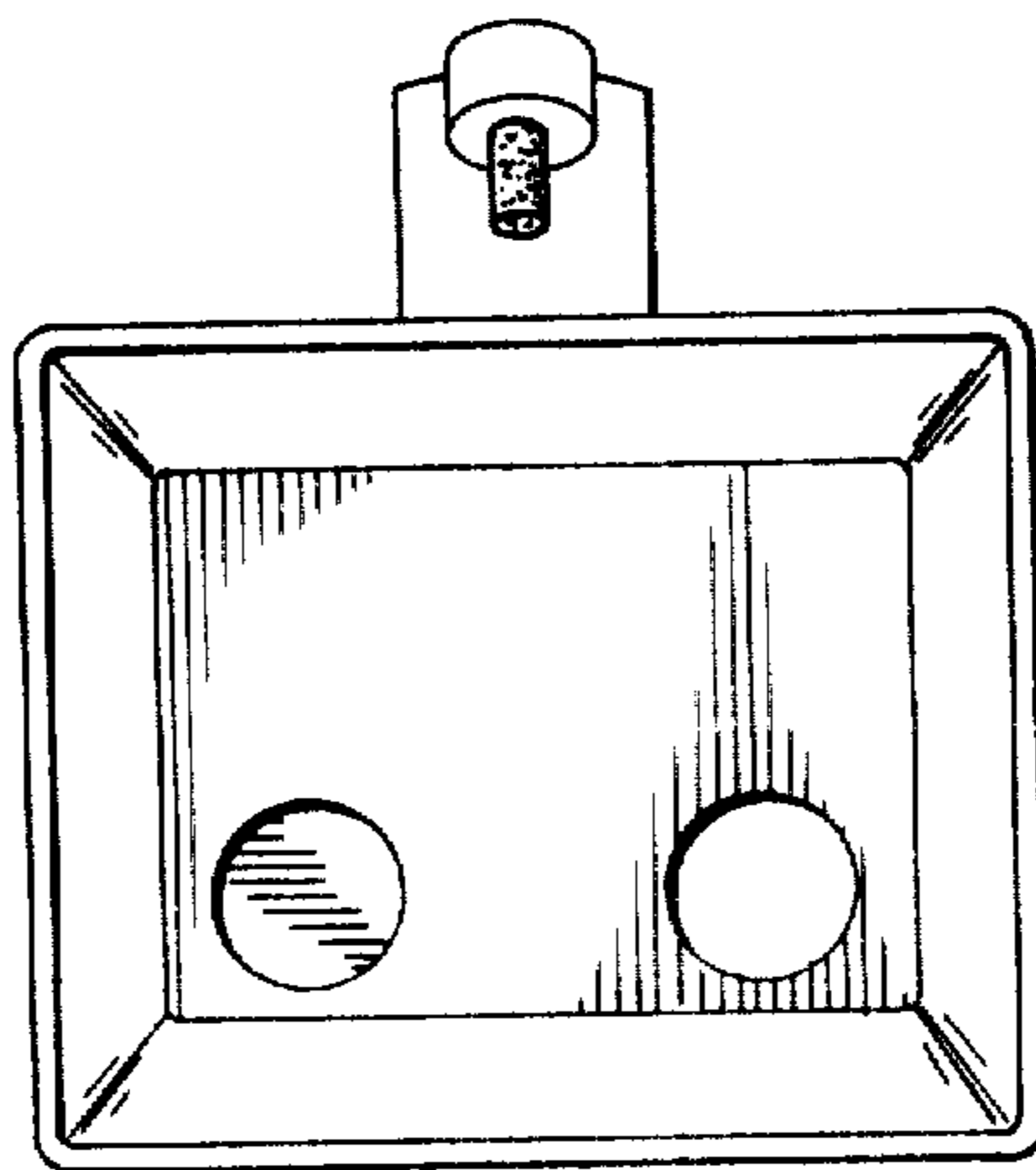


FIG 2

FIG 3

