

[54] CHAIR MOUNTED TELEVISION HOUSING

[75] Inventor: Reid S. Larsen, Bountiful, Utah

[73] Assignee: Midwest International, Inc., Salt Lake City, Utah

[**] Term: 14 Years

[21] Appl. No.: 246,208

[22] Filed: Mar. 23, 1981

[51] Int. Cl. D14-03

[52] U.S. Cl. D14/77; D14/80

[58] Field of Search D14/1, 77, 79-81, D14/84; 312/7 TV

[56] References Cited

U.S. PATENT DOCUMENTS

D. 163,206 5/1951 Klotz D14/84

D. 191,228 8/1961 Shimada D14/81
D. 244,205 5/1977 Benham D14/80 X
3,087,014 4/1963 Rose D14/80 X

Primary Examiner—Jane E. Corrigan
Attorney, Agent, or Firm—Trask & Britt

[57] CLAIM

The ornamental design for a chair mounted television housing, as shown and described.

DESCRIPTION

FIG. 1 is a front, top and right side perspective view of a chair mounted television housing showing my new design;

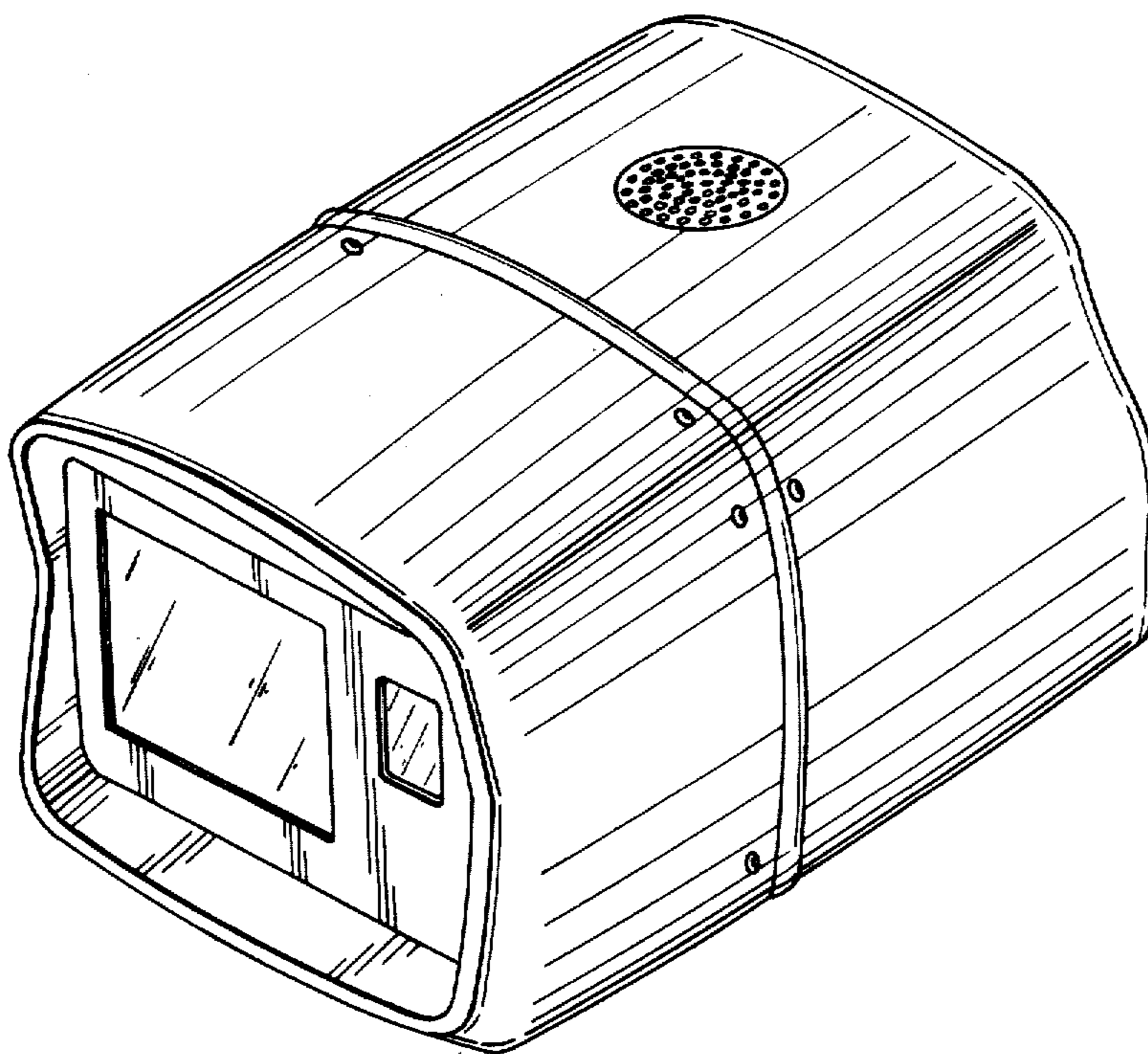
FIG. 2 is a left side elevational view;

FIG. 3 is a right side elevational view;

FIG. 4 is a front elevational view;

FIG. 5 is a rear elevational view; and

FIG. 6 is a bottom plan view.



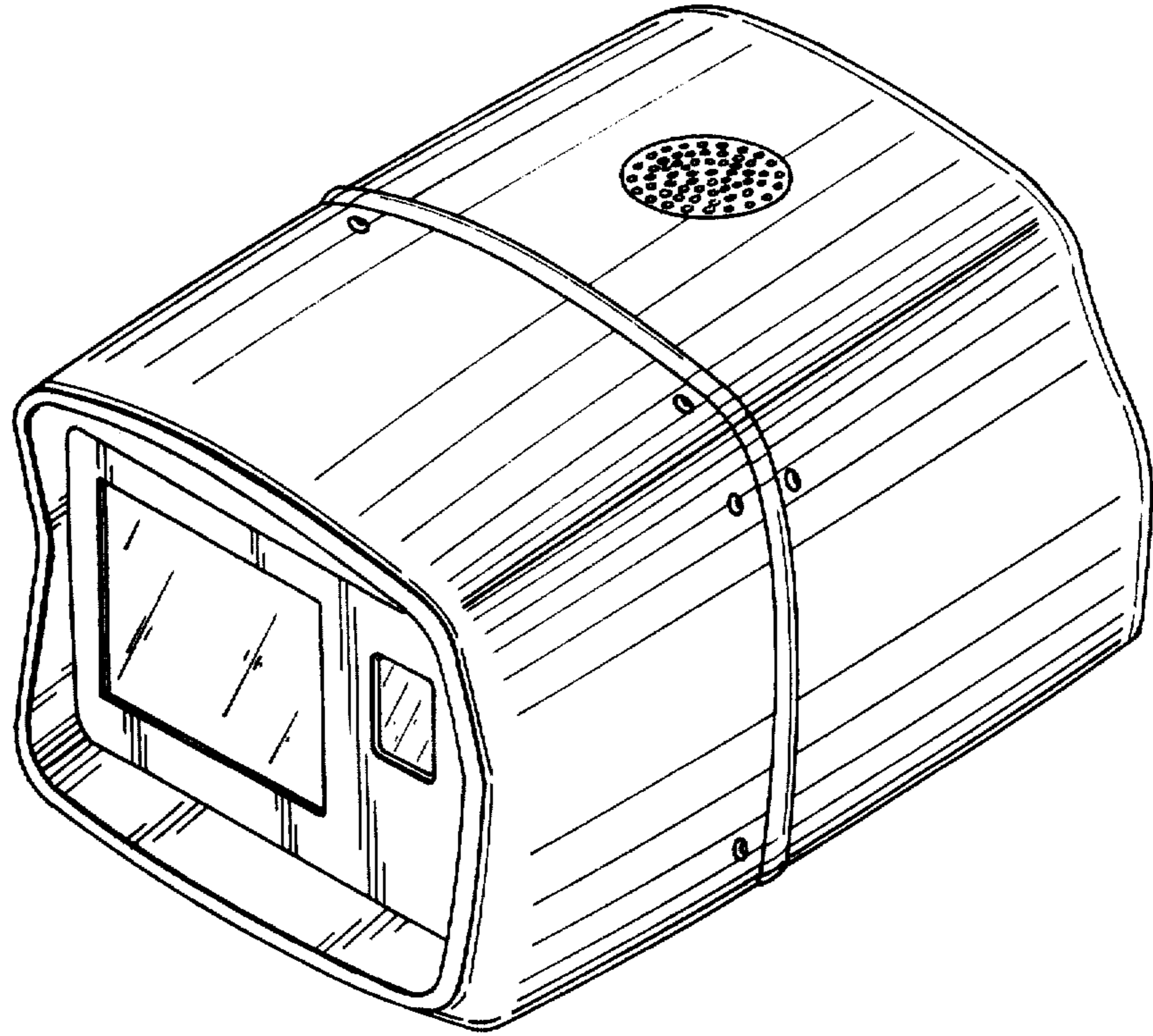


Fig. 1

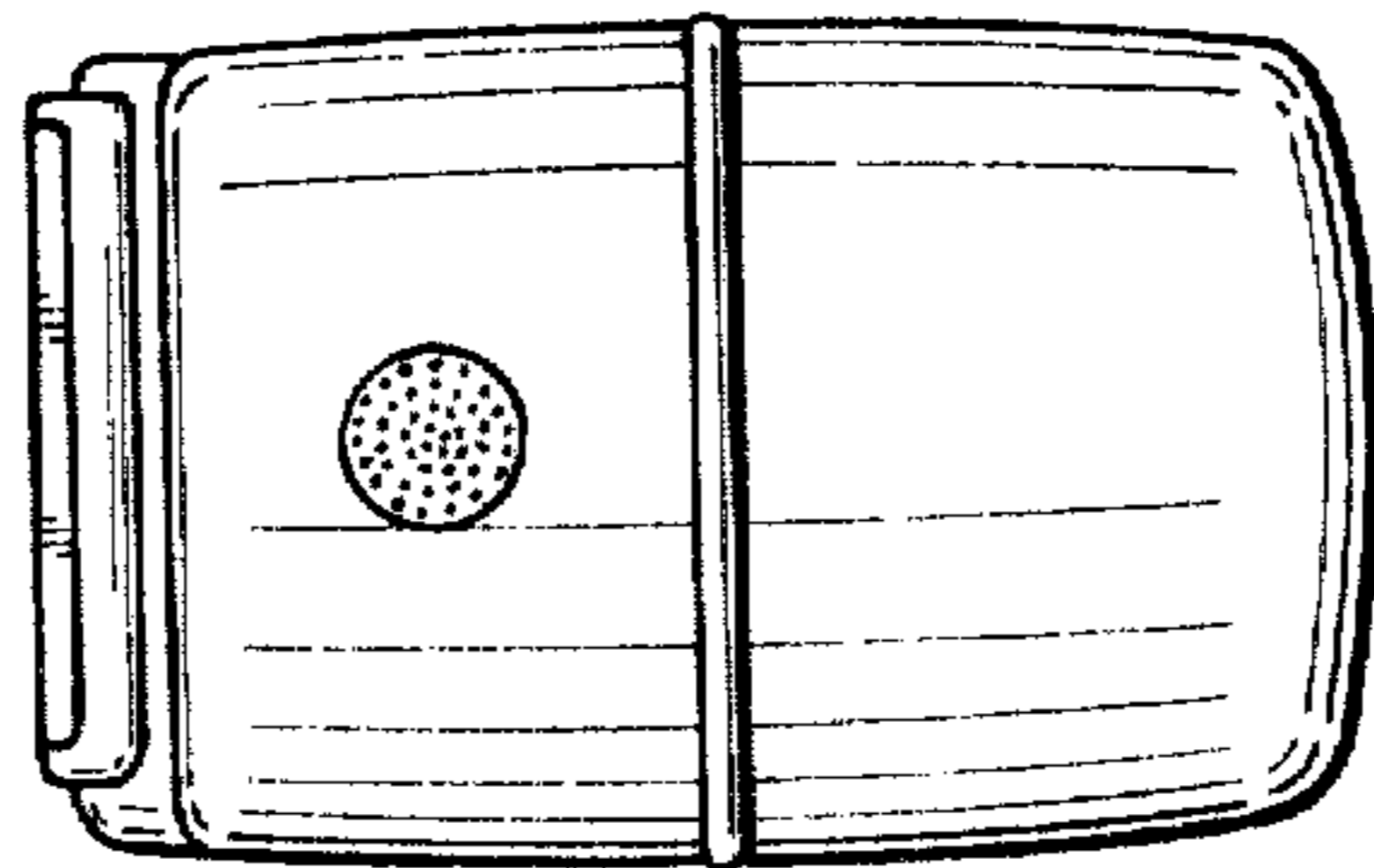


Fig. 3

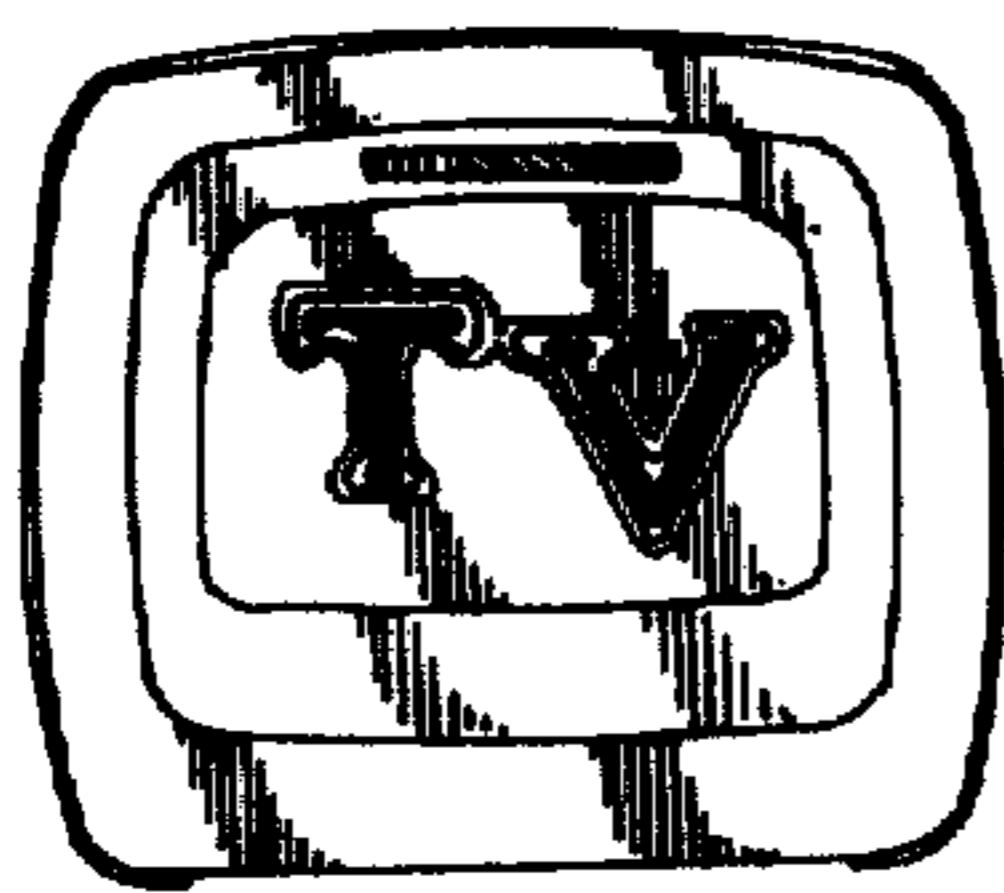


Fig. 5

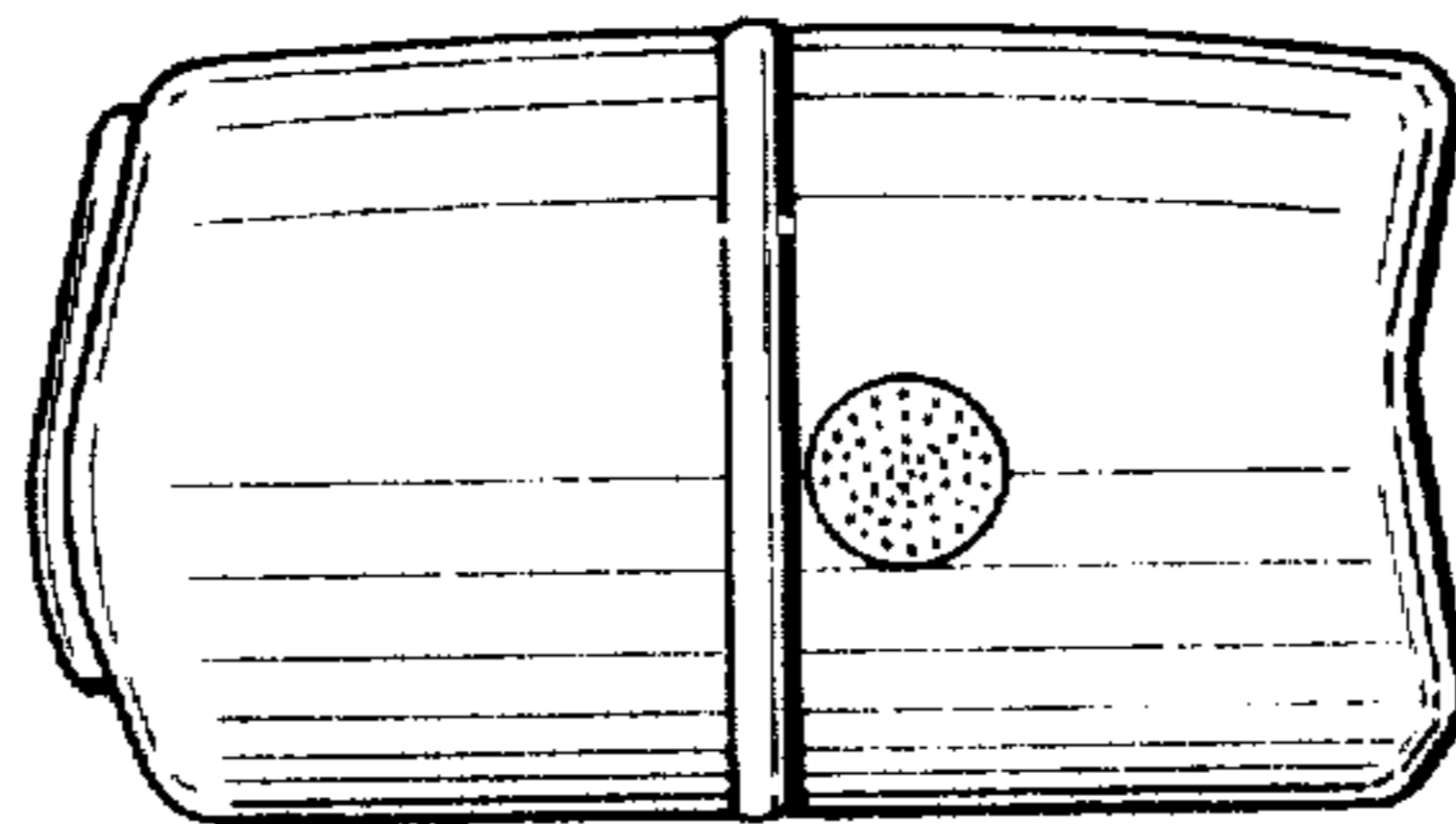


Fig. 2

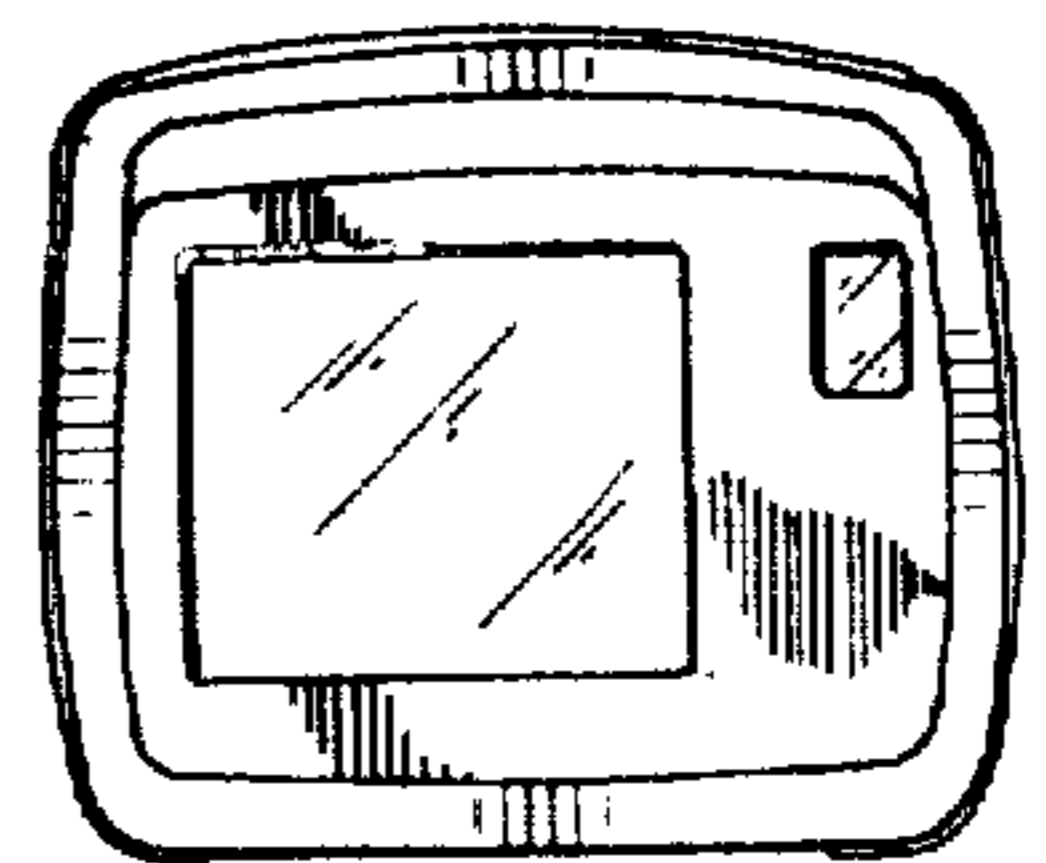


Fig. 4

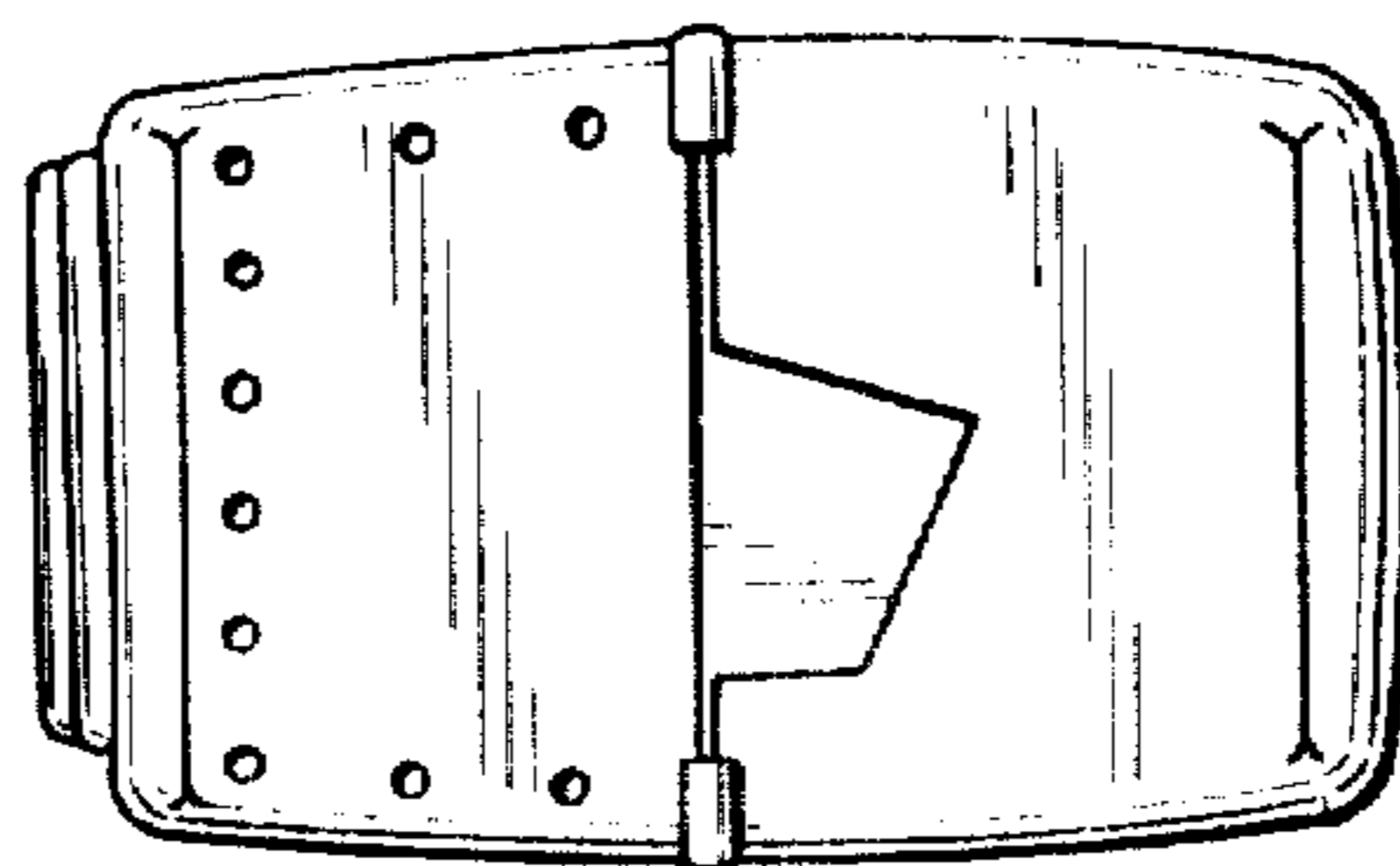


Fig. 6