

[54] VIDEO TAPE CASSETTE

[75] Inventors: Masamitsu Shibata, Matsudo; Haruki Ogata, Sagamihara, both of Japan

[73] Assignee: Victor Company of Japan Limited, Yokohama, Japan

[**] Term: 14 Years

[21] Appl. No.: 289,976

[22] Filed: Aug. 4, 1981

[51] Int. Cl. D14-01

[52] U.S. Cl. D14/11

[58] Field of Search D14/11; 206/387; 242/197

[56] References Cited

U.S. PATENT DOCUMENTS

D. 258,287 2/1981 Hashimoto et al. D14/11
3,924,742 12/1975 Primicerio 206/387

Primary Examiner—Jane E. Corrigan
Attorney, Agent, or Firm—Cushman, Darby & Cushman

[57] CLAIM

The ornamental design for a video tape cassette, as shown and described.

DESCRIPTION

FIG. 1 is a front, top and left side perspective view of a video tape cassette showing our new design;
FIG. 2 is a rear, bottom and right side perspective view; and
FIG. 3 is a rear, top and right side perspective view with the lid in open position.

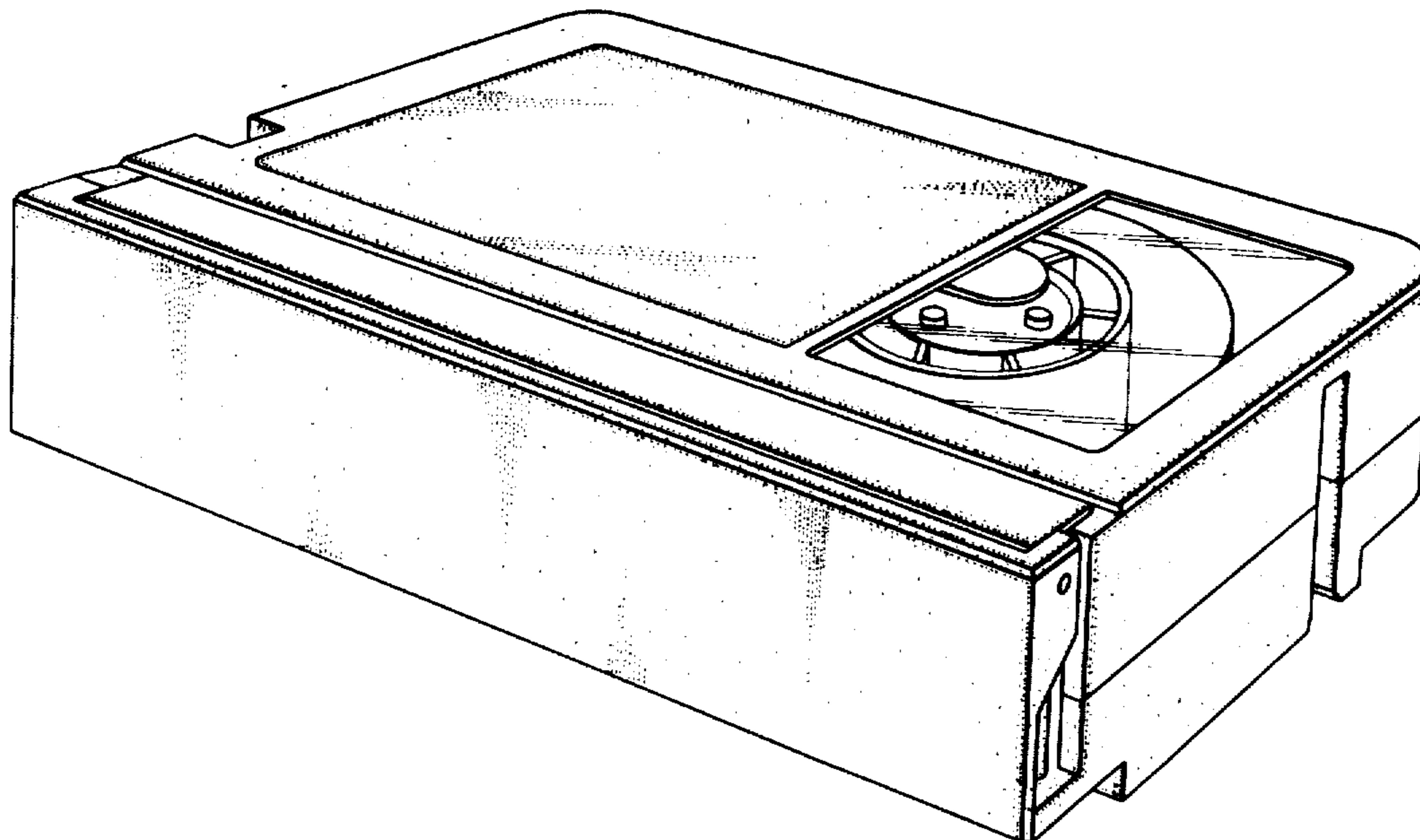


FIG. 1

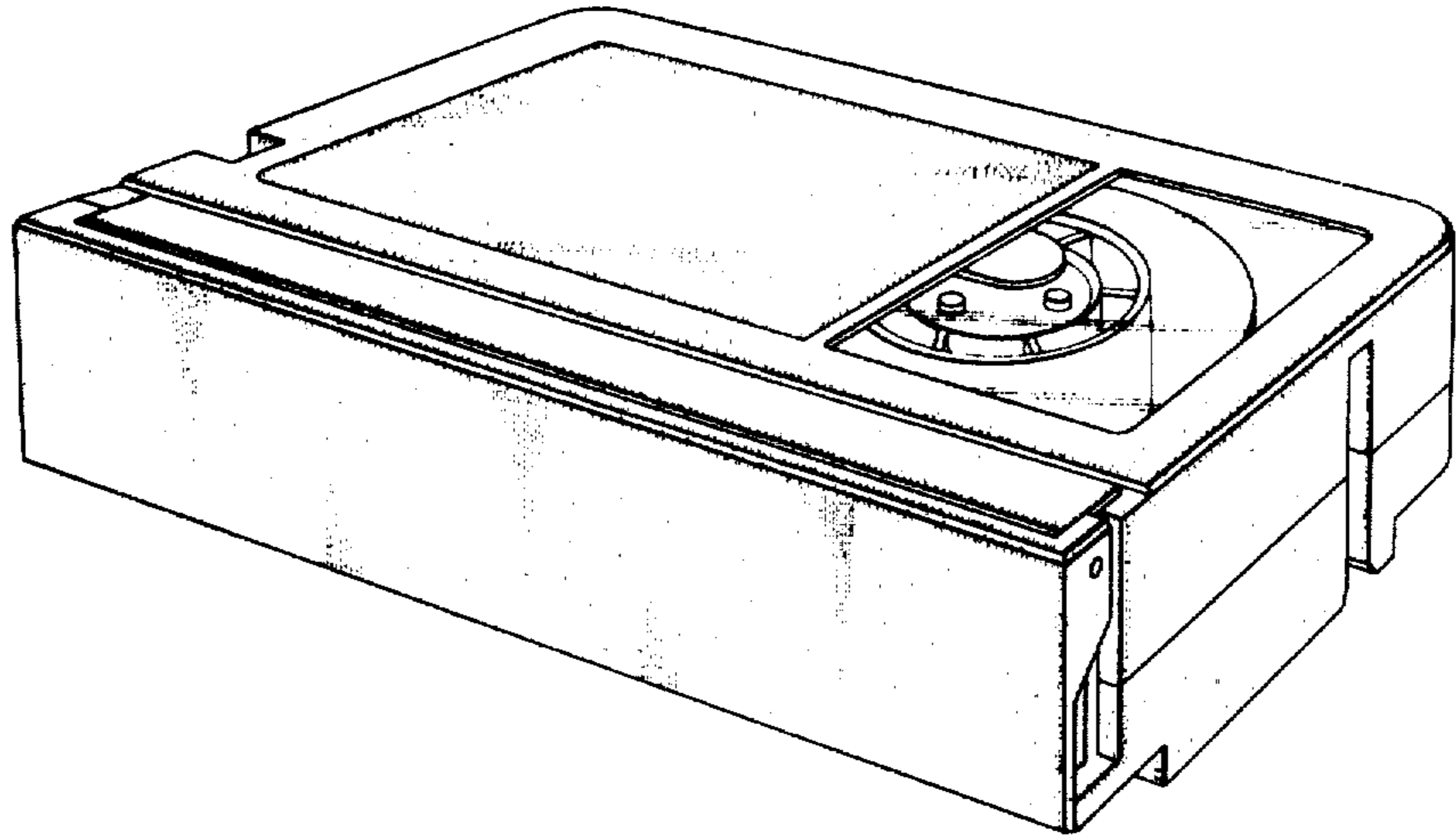


FIG. 2

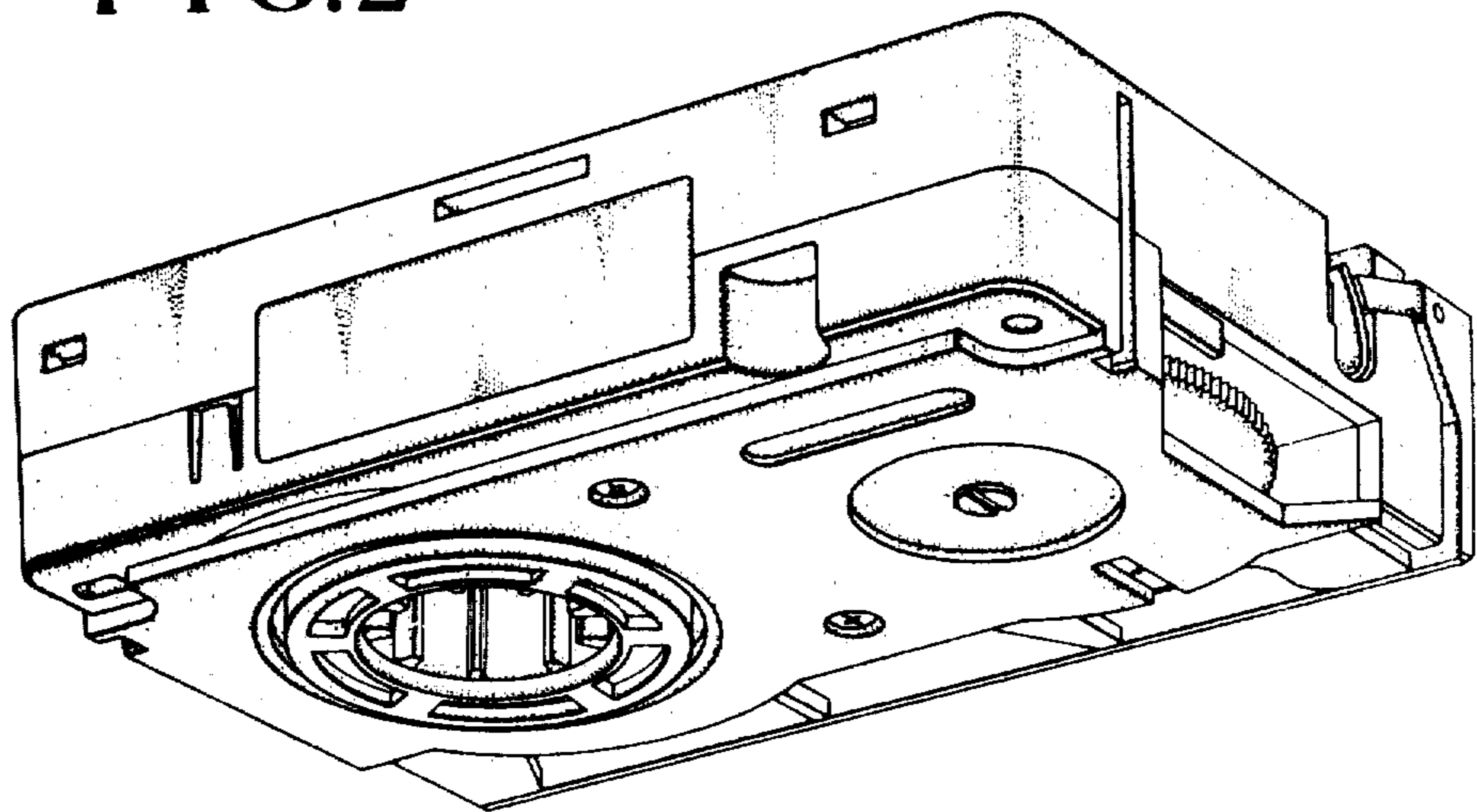


FIG. 3

