

[54] ARTICLE STORAGE UNIT FOR A VEHICLE SUNVISOR

[75] Inventors: Ted A. Bell; Daniel F. Lehner, both of Coshocton, Ohio

[73] Assignee: Pretty Products, Inc., Coshocton, Ohio

[**] Term: 14 Years

[21] Appl. No.: 282,529

[22] Filed: Jul. 13, 1981

[51] Int. Cl. D12-16

[52] U.S. Cl. D12/191

[58] Field of Search D12/191; D3/40; 296/97 C

[56] References Cited

U.S. PATENT DOCUMENTS

- D. 248,847 8/1978 Wooters D12/191
- D. 261,326 10/1981 Bell et al. D3/40
- D. 265,083 6/1982 Divoky D12/191

Primary Examiner—James M. Gandy
Attorney, Agent, or Firm—Robert E. Stebens

[57] CLAIM

The ornamental design for an article storage unit for a vehicle sunvisor, substantially as shown and described.

DESCRIPTION

FIG. 1 is a top perspective view of an article storage unit for a vehicle sunvisor showing our new design.

FIG. 2 is a bottom plan view thereof.

FIG. 3 is an elevational view of the bottom side edge thereof.

FIG. 4 is an elevational view on an enlarged scale of the left end thereof as seen in FIG. 1.

FIG. 5 is an elevational view on an enlarged scale of the right end thereof as seen in FIG. 1.

FIG. 6 is a transverse sectional view on an enlarged scale taken along line 6-6 of FIG. 1.

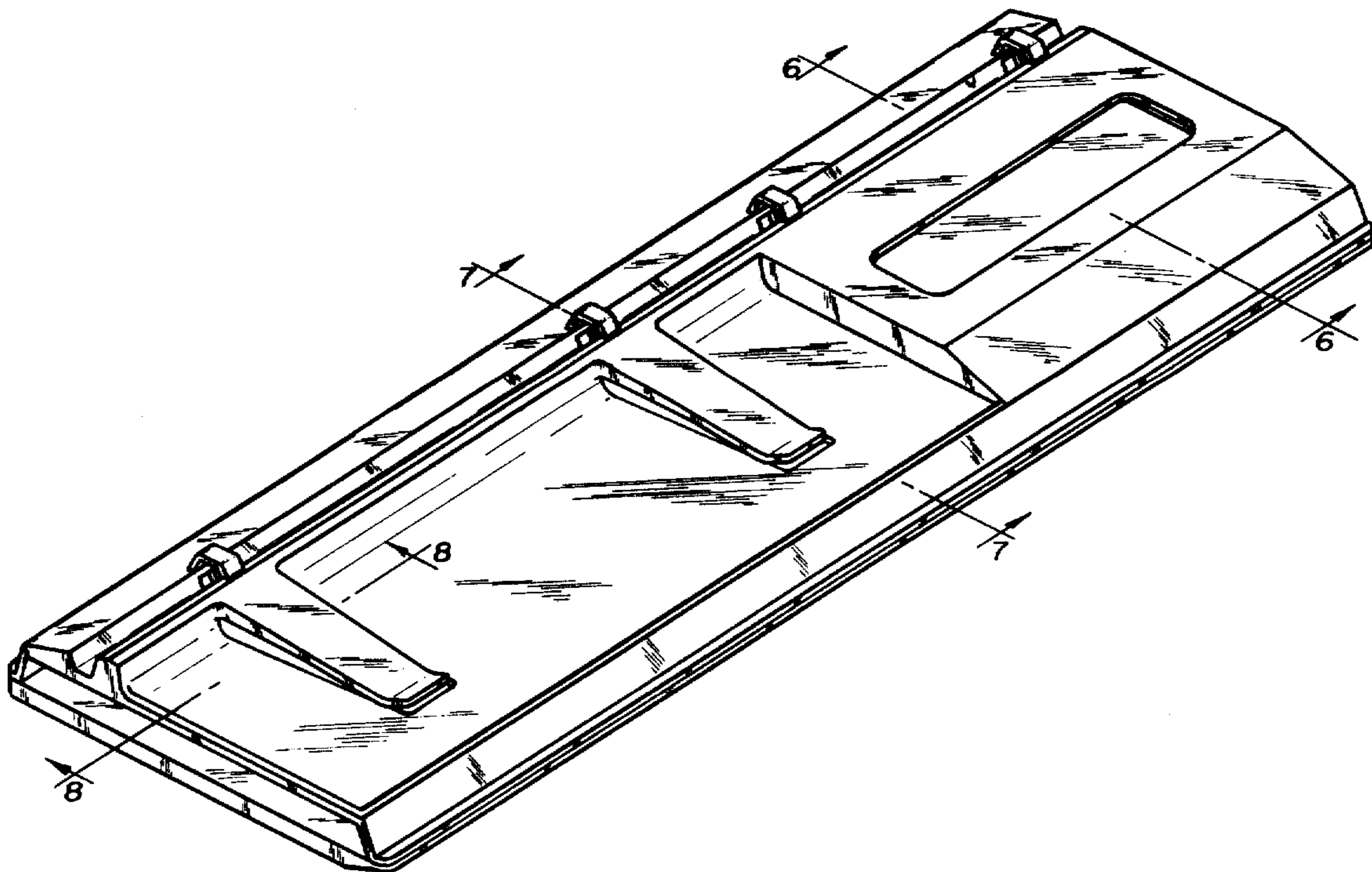
FIG. 7 is a transverse sectional view on an enlarged scale taken along line 7-7 of FIG. 1.

FIG. 8 is a fragmentary longitudinal sectional view on an enlarged scale taken along line 8-8 of FIG. 1.

FIG. 9 is a fragmentary plan view of a portion of the bottom thereof on an enlarged scale showing a sunvisor mounting element, a spring clip shown in broken lines being for illustrative purposes only.

FIG. 10 is a fragmentary transverse sectional view taken along line 10-10 of FIG. 9.

FIG. 11 is a fragmentary longitudinal sectional view taken along line 11-11 of FIG. 10.



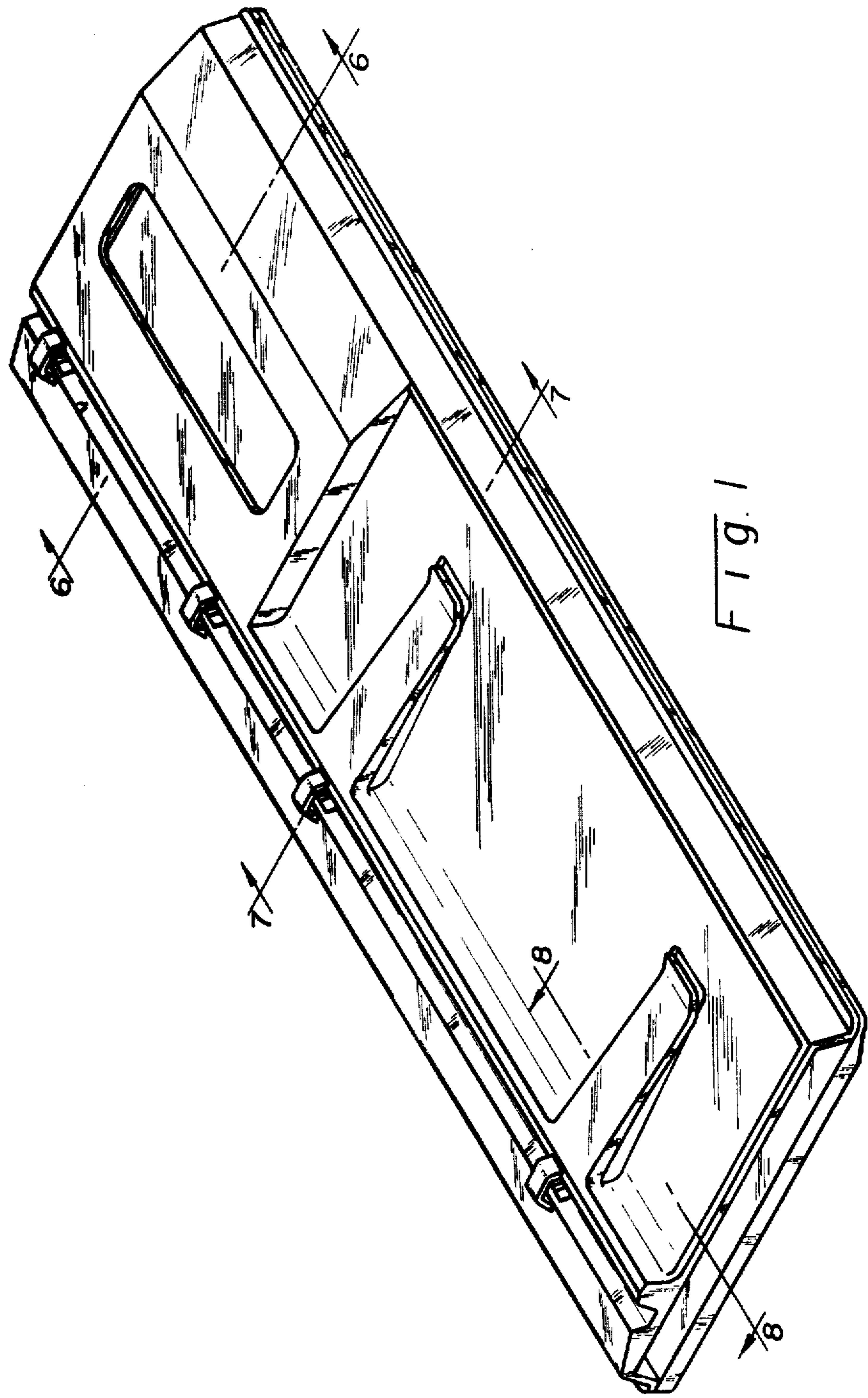


FIG. 1

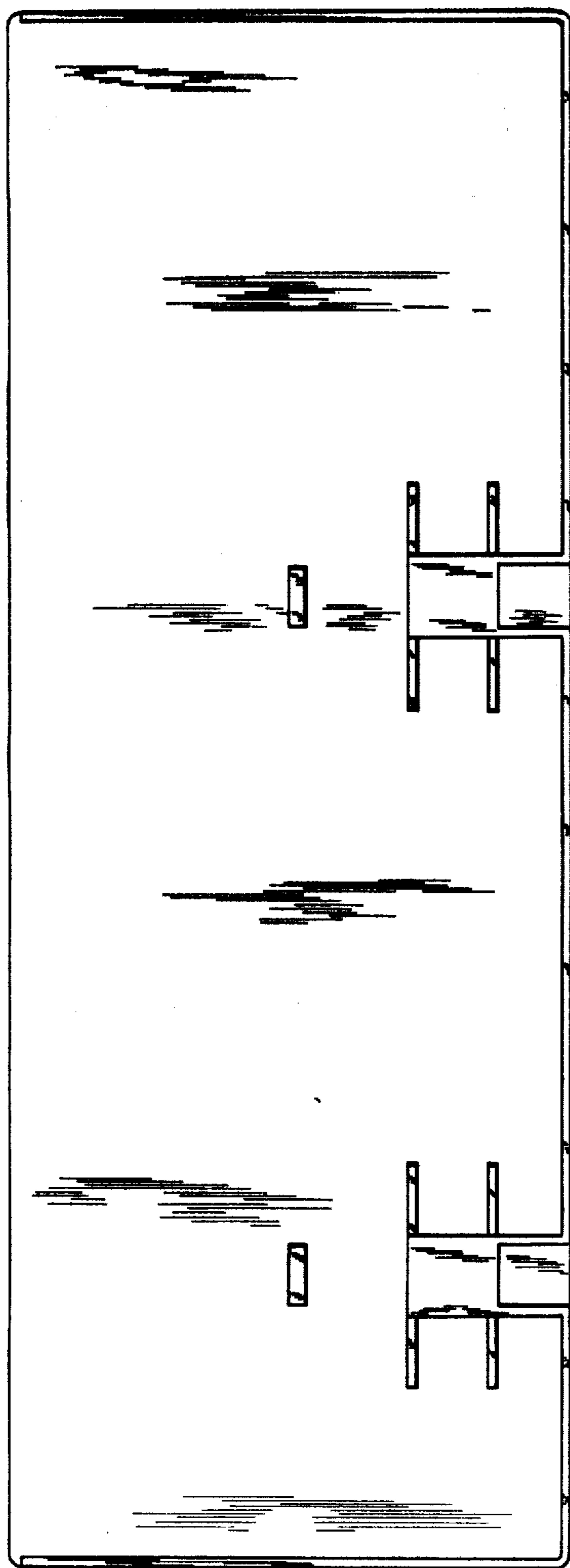


FIG. 2

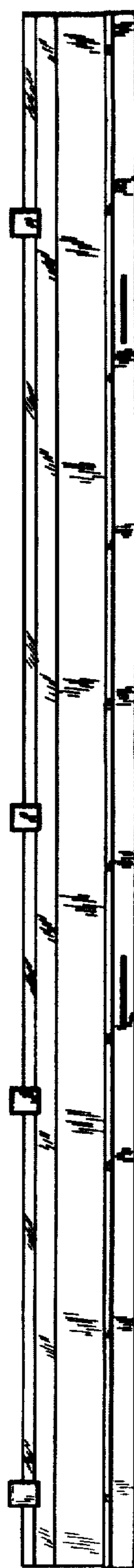


FIG. 3

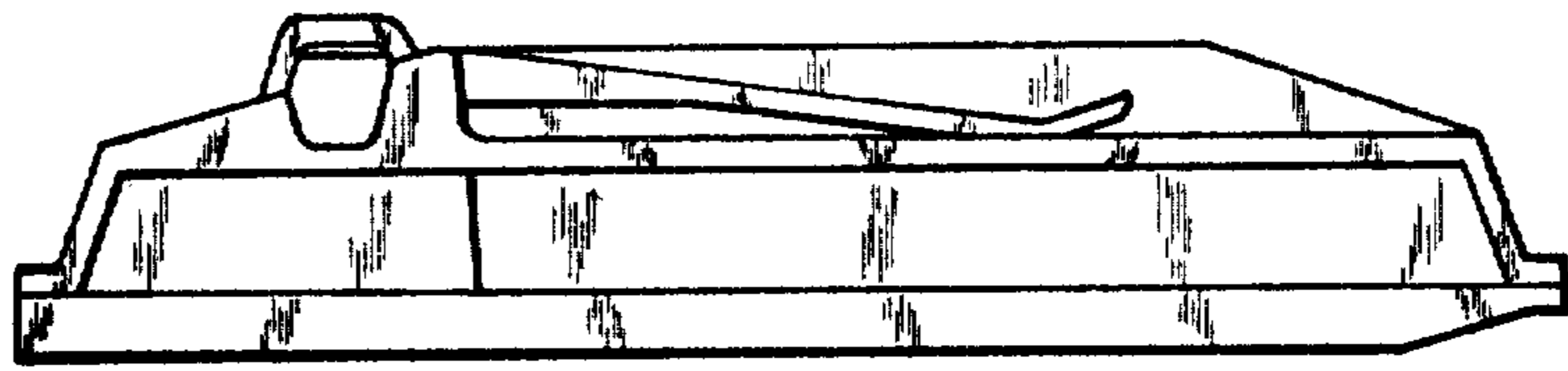


Fig. 4

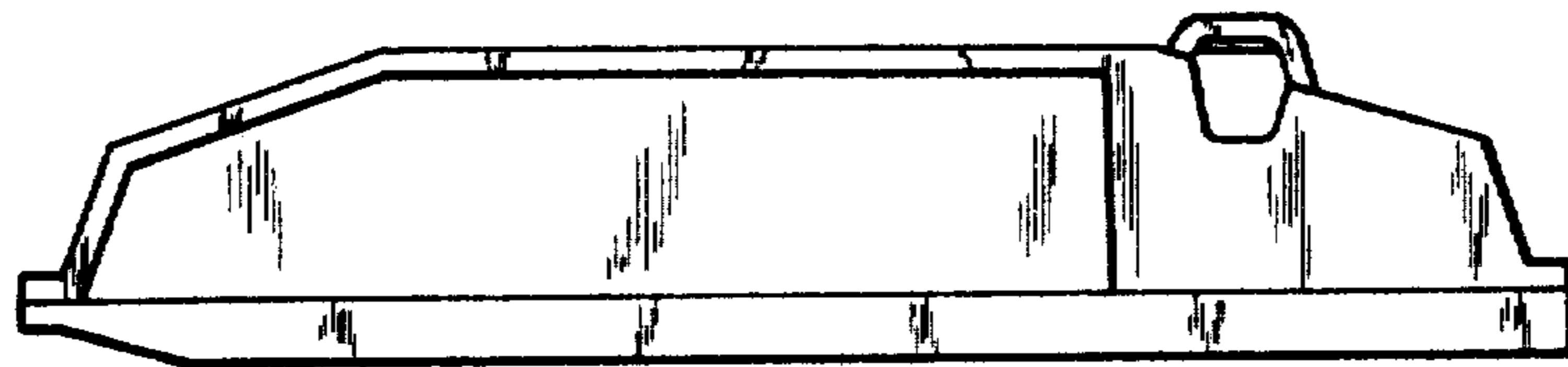


Fig. 5

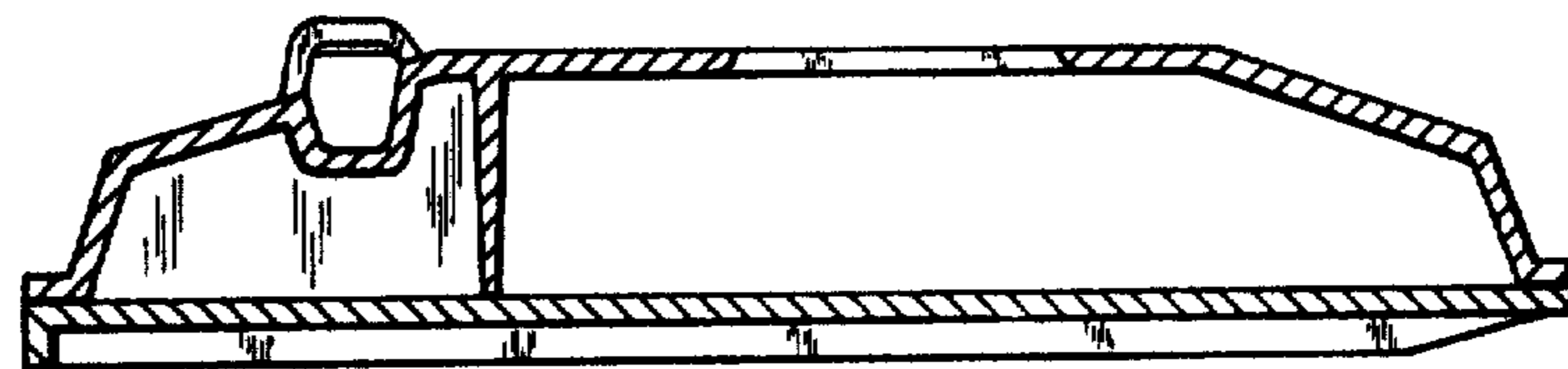


Fig. 6

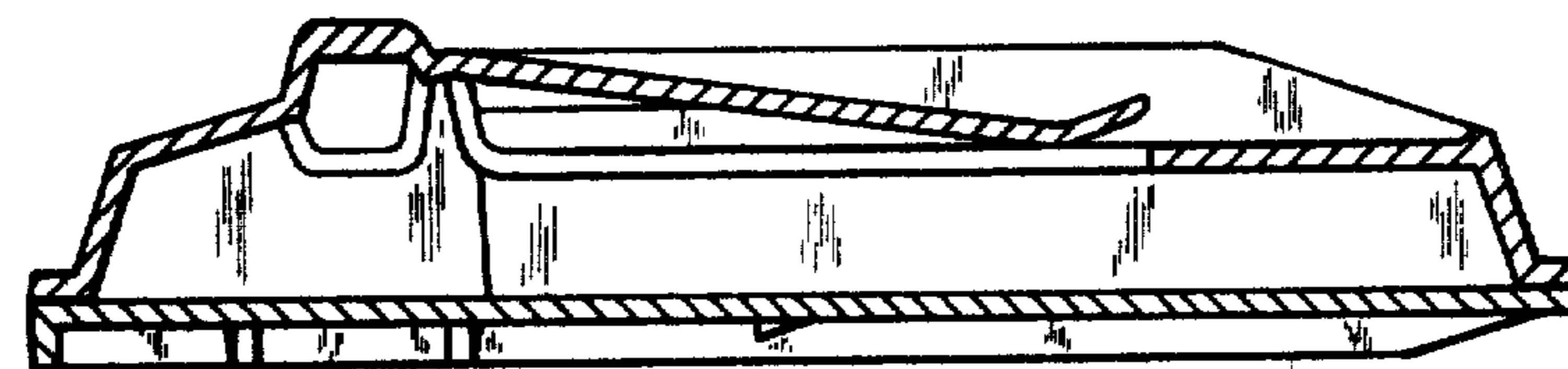


Fig. 7

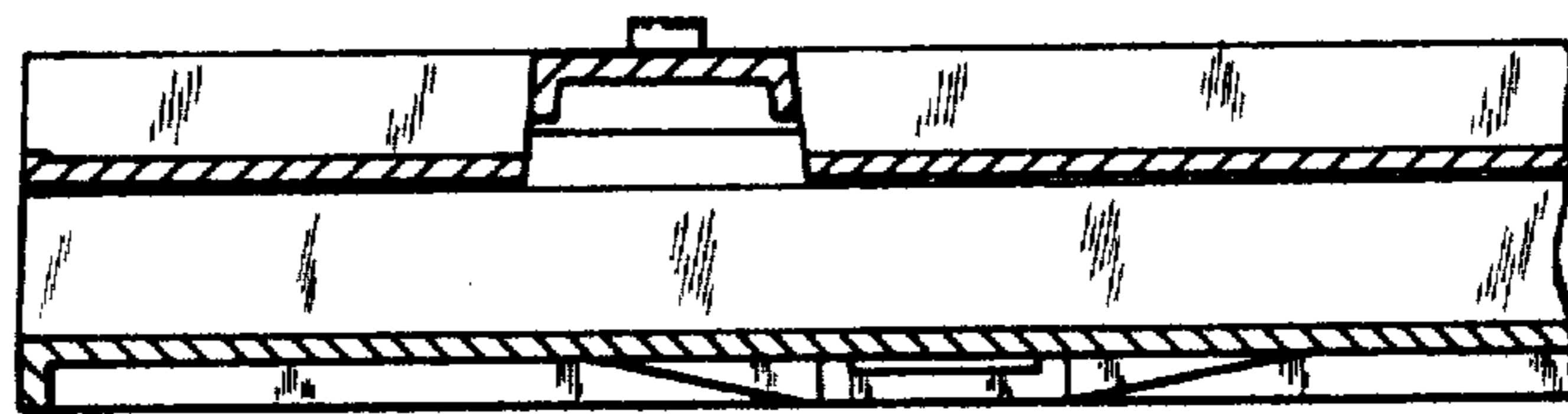


Fig. 8

