

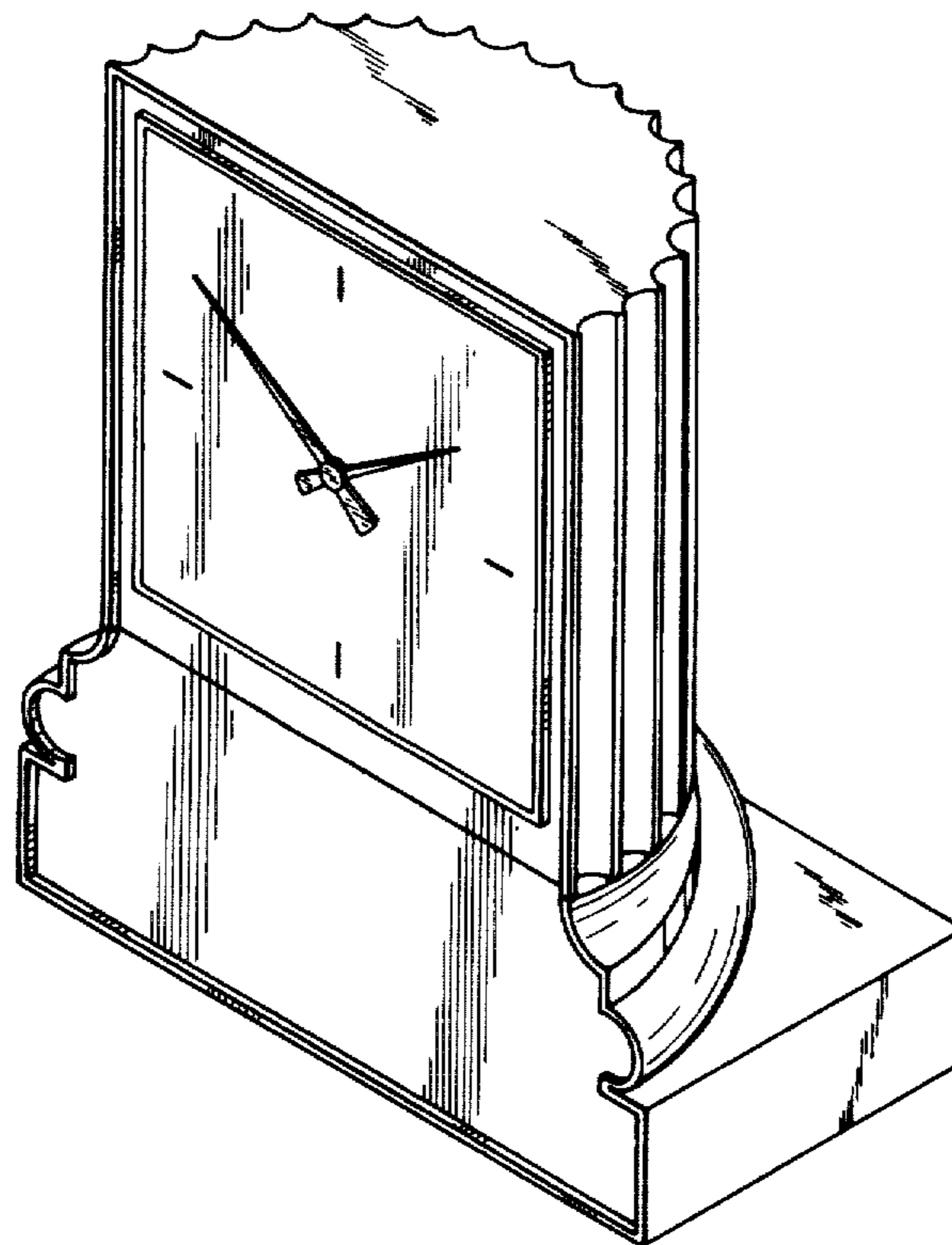
- [54] **CLOCK**
- [75] **Inventor:** Giovanni Bulgari, Rome, Italy
- [73] **Assignee:** Anthos S.A., Geneva, Switzerland
- [**] **Term:** 14 Years
- [21] **Appl. No.:** 312,087
- [22] **Filed:** Oct. 16, 1981
- [30] **Foreign Application Priority Data**
Apr. 21, 1981 [XH] Hague DM/000 705
- [51] **Int. Cl.** D10-01
- [52] **U.S. Cl.** D10/11; D10/26
- [58] **Field of Search** D10/1, 6, 11, 20, 21,
D10/24, 25, 26, 122-126; 368/276, 277, 285

- [56] **References Cited**
U.S. PATENT DOCUMENTS
D. 882 4/1857 Ingraham D10/11 X
D. 36,864 4/1904 Aronson D10/11 X
D. 85,739 12/1931 Dinstman D10/26
D. 155,078 9/1949 Day D10/11
D. 172,343 6/1954 Gottlieb D10/6

Primary Examiner—Nelson C. Holtje
Attorney, Agent, or Firm—Fisher, Christen & Sabol

- [57] **CLAIM**
The ornamental design for a clock, as shown and described.

DESCRIPTION
FIG. 1 is a top and right perspective view of a clock showing my new design;
FIG. 2 is a front elevational view thereof; the left side being a mirror image thereto;
FIG. 3 is a side elevation from the right side, and;
FIG. 4 is a rear elevational view thereof.



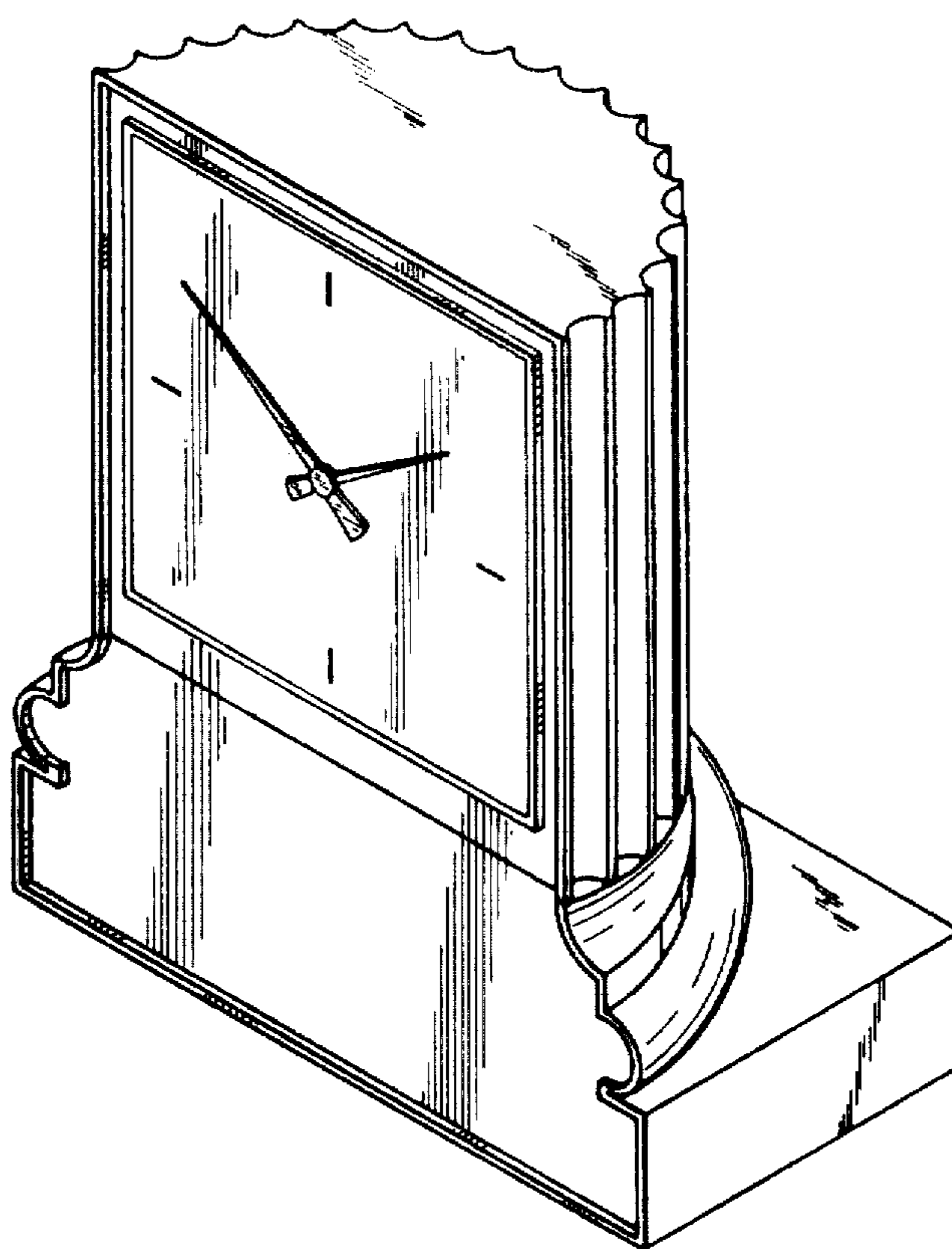


FIG. 1

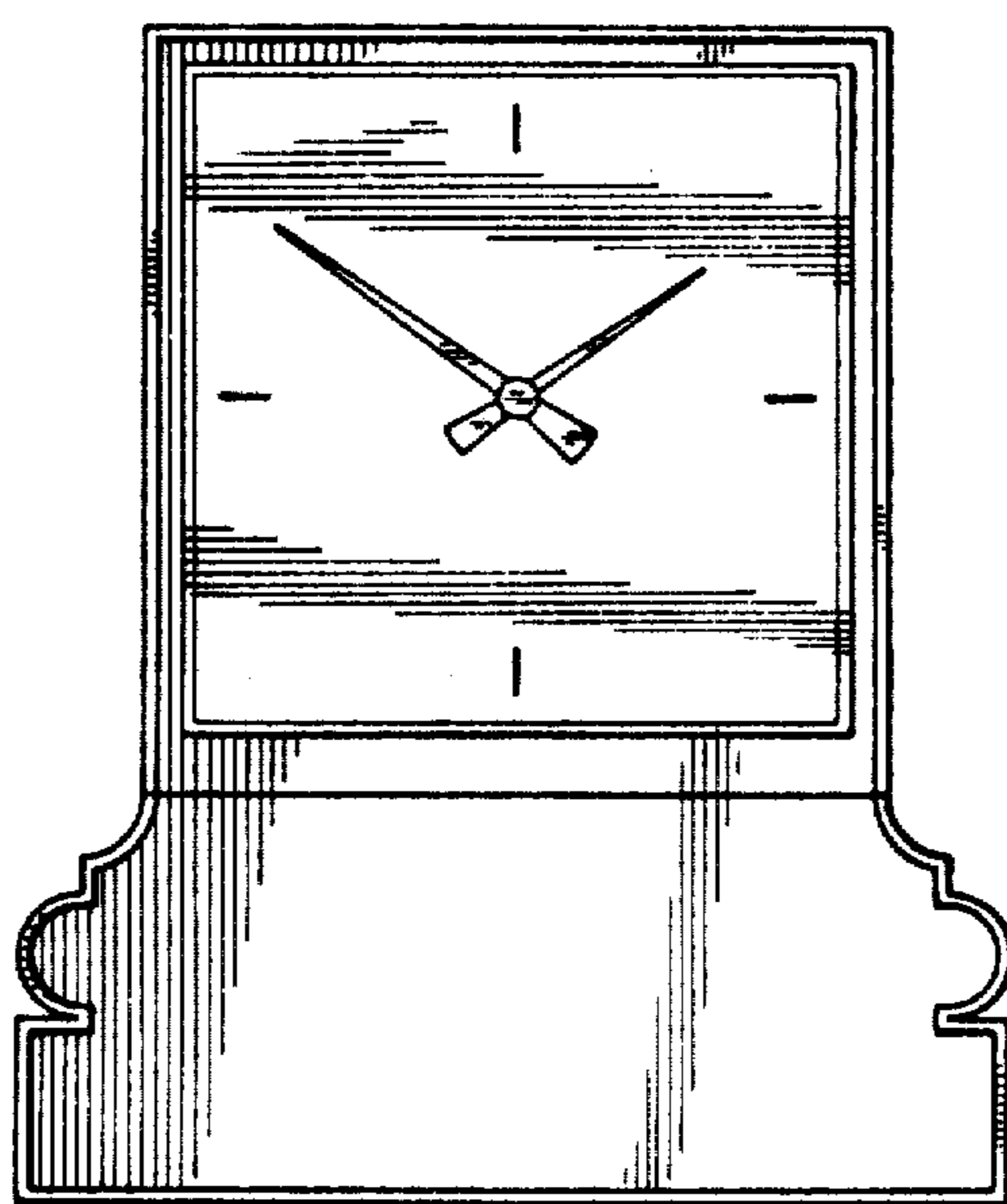


FIG. 2

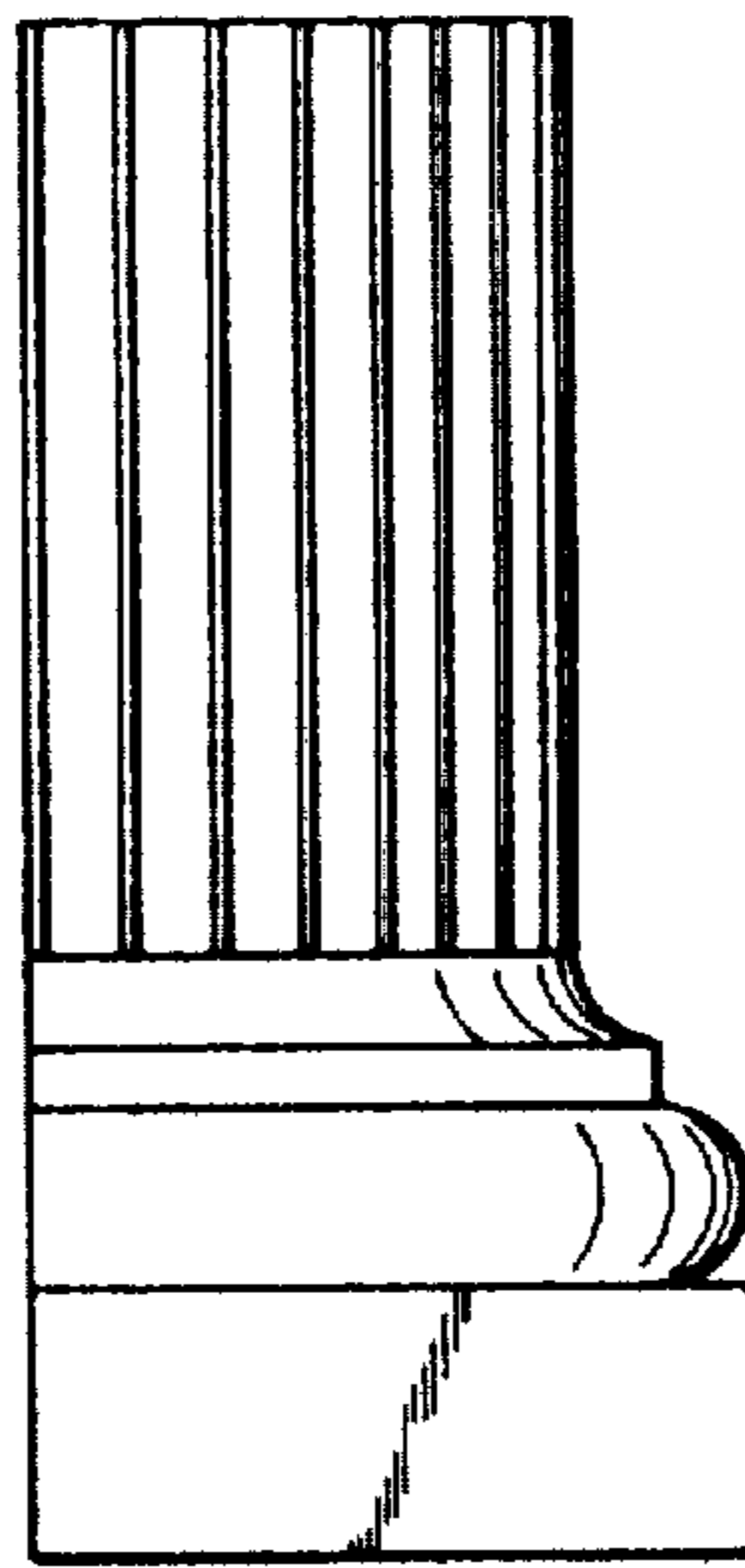


FIG. 3

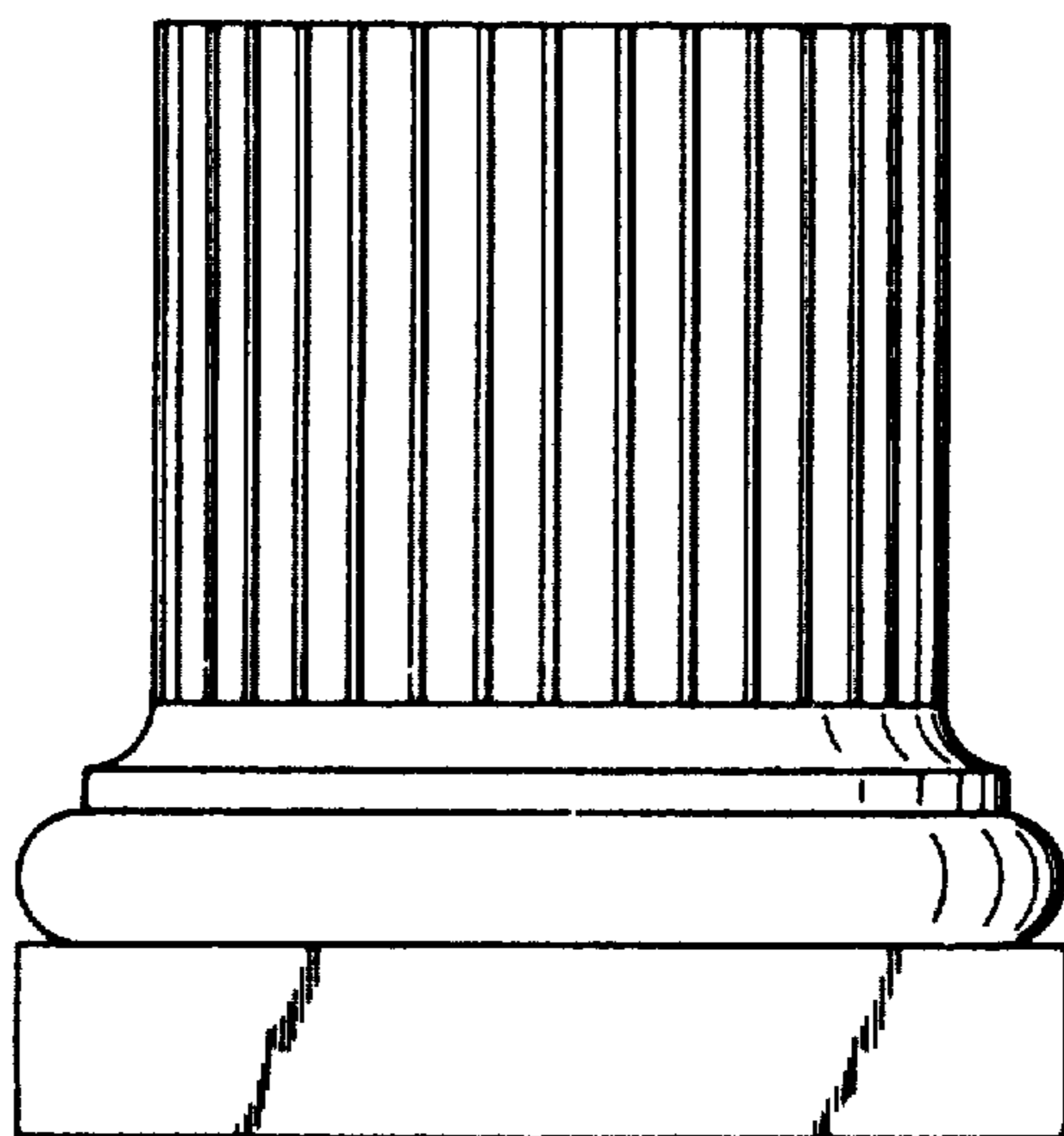


FIG. 4