

[54] BAG FOR HOLDING LIQUID  
[75] Inventors: Yotaro Tsutsumi; Masaomi Ikeda,  
both of Yokohama, Japan

[73] Assignee: Toyo Seikan Kaisha, Ltd., Tokyo,  
Japan

[\*\*] Term: 14 Years

[21] Appl. No.: 257,560

[22] Filed: Apr. 27, 1981

[30] Foreign Application Priority Data

Oct. 25, 1980 [JP] Japan ..... 55-44391  
Oct. 25, 1980 [JP] Japan ..... 55-44392

[51] Int. Cl. .... D9-03

[52] U.S. Cl. .... D9/415; D24/58;  
D24/51

[58] Field of Search ..... 206/605, 532; D9/305,  
D9/415, 426, 378, 381, 383; D24/56, 58, 51;  
229/3.5, 53

[56] References Cited

U.S. PATENT DOCUMENTS

D. 245,540 8/1977 Lindsey ..... D24/58  
D. 254,360 3/1980 Seda ..... D9/415  
D. 265,588 7/1982 Lahay ..... D24/58 X  
D. 266,829 11/1982 Yoshizawa et al. .... D9/415  
1,217,818 2/1917 Peterson ..... 206/605 X  
2,584,632 2/1952 Southwick, Jr. .... 229/5.5 X

3,935,993 2/1976 Doyen et al. .... 229/53  
4,119,267 10/1978 Kydonieus ..... 229/53  
4,322,003 3/1982 Long ..... 229/3.5 R X

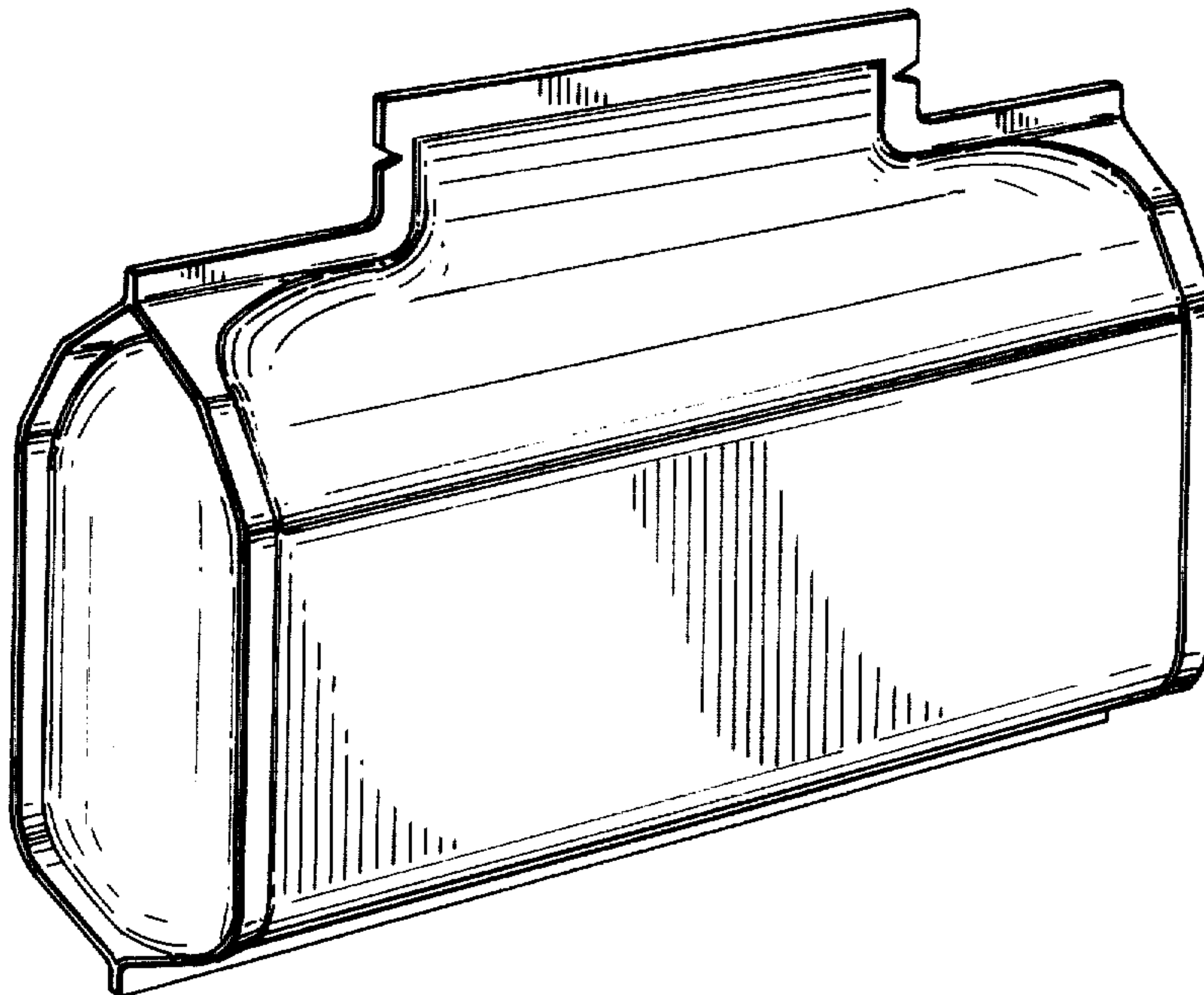
Primary Examiner—Bernard Ansher  
Attorney, Agent, or Firm—Wenderoth, Lind & Ponack

[57] CLAIM

The ornamental design for a bag for holding liquid,  
substantially as shown and described.

DESCRIPTION

FIG. 1 is a side elevation view of a bag for holding  
liquid showing our new design;  
FIG. 2 is a top plan view thereof;  
FIG. 3 is a bottom plan view thereof;  
FIG. 4 is an end elevation view thereof;  
FIG. 5 is a perspective view thereof;  
FIG. 6 is a transverse sectional view taken along line  
6-6 of FIG. 1;  
FIG. 7 is a longitudinal sectional view taken along line  
7-7 of FIG. 6;  
FIG. 8 is a side elevation view of a second embodiment  
of the bag for holding liquid showing the new design;  
FIG. 9 is a top plan view thereof;  
FIG. 10 is a bottom plan view thereof;  
FIG. 11 is an end elevation view thereof;  
FIG. 12 is a perspective view thereof;  
FIG. 13 is a transverse sectional view taken along line  
13-13 of FIG. 8; and  
FIG. 14 is a longitudinal sectional view taken along the  
line 14-14 of FIG. 13.



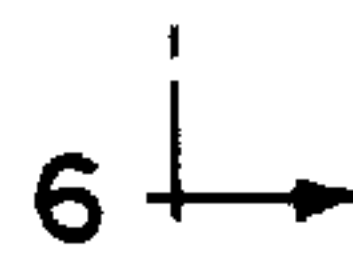
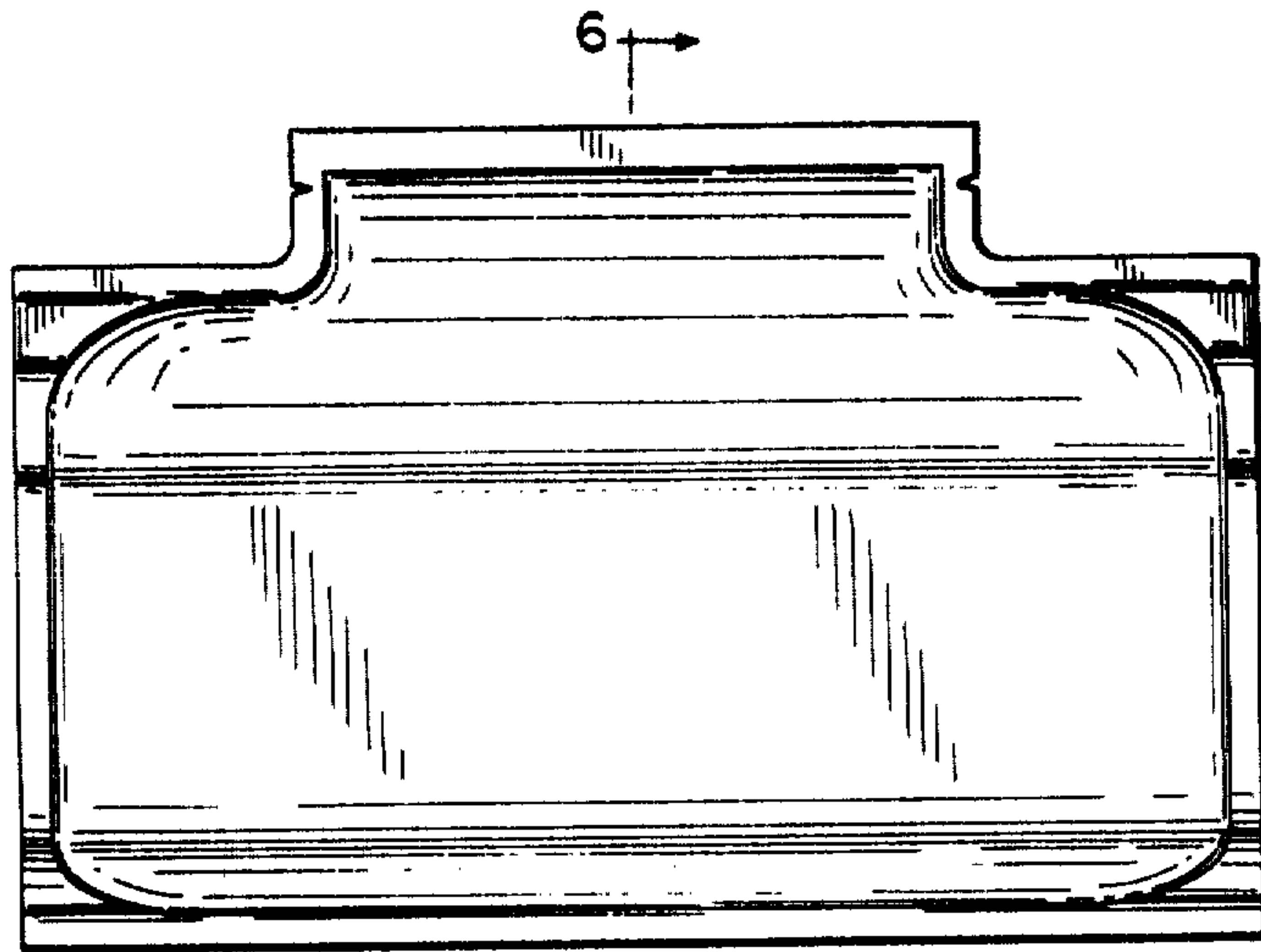


FIG. 1

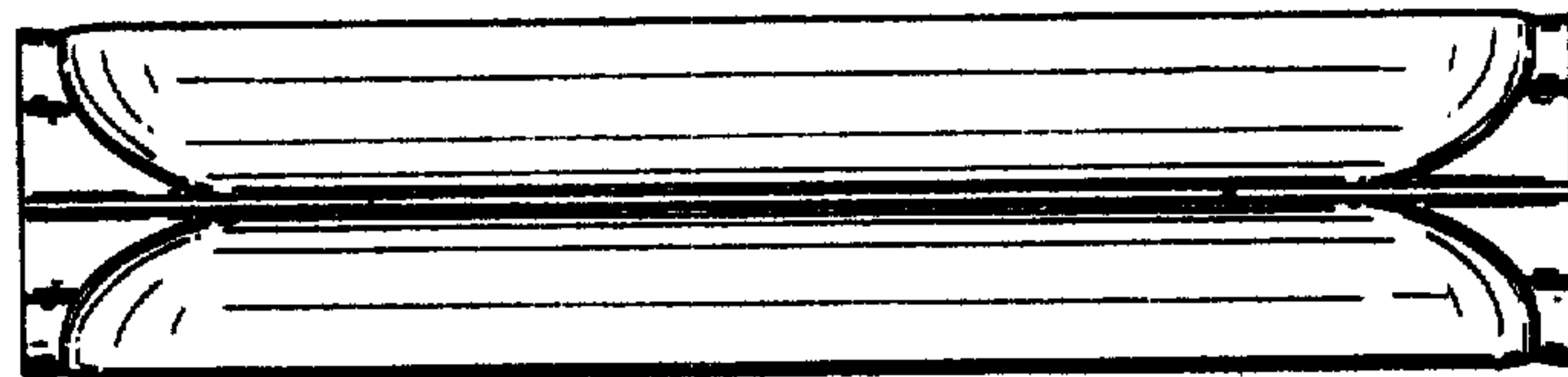


FIG. 2

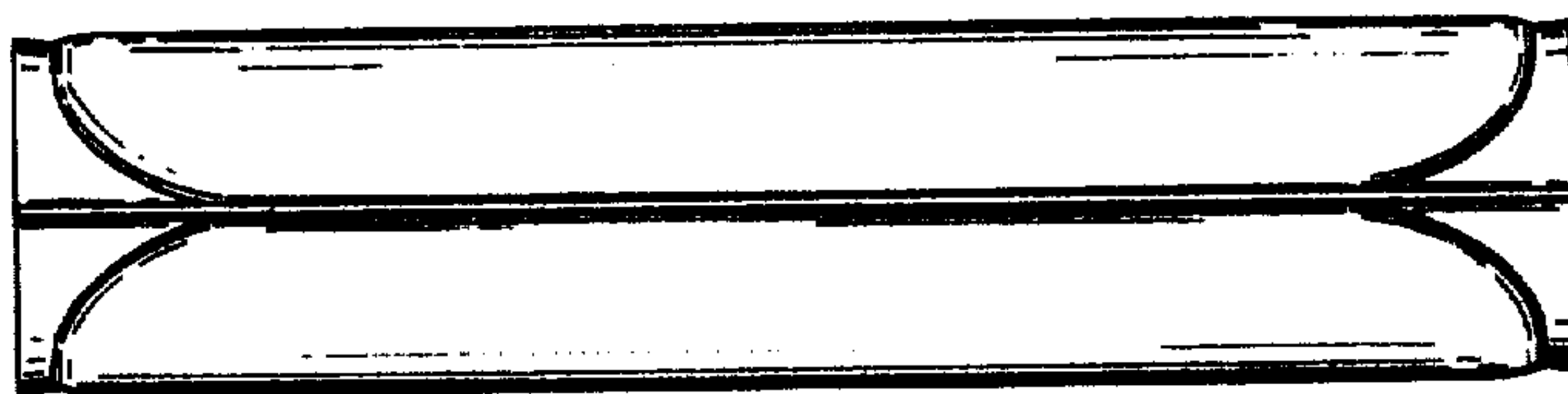


FIG. 3

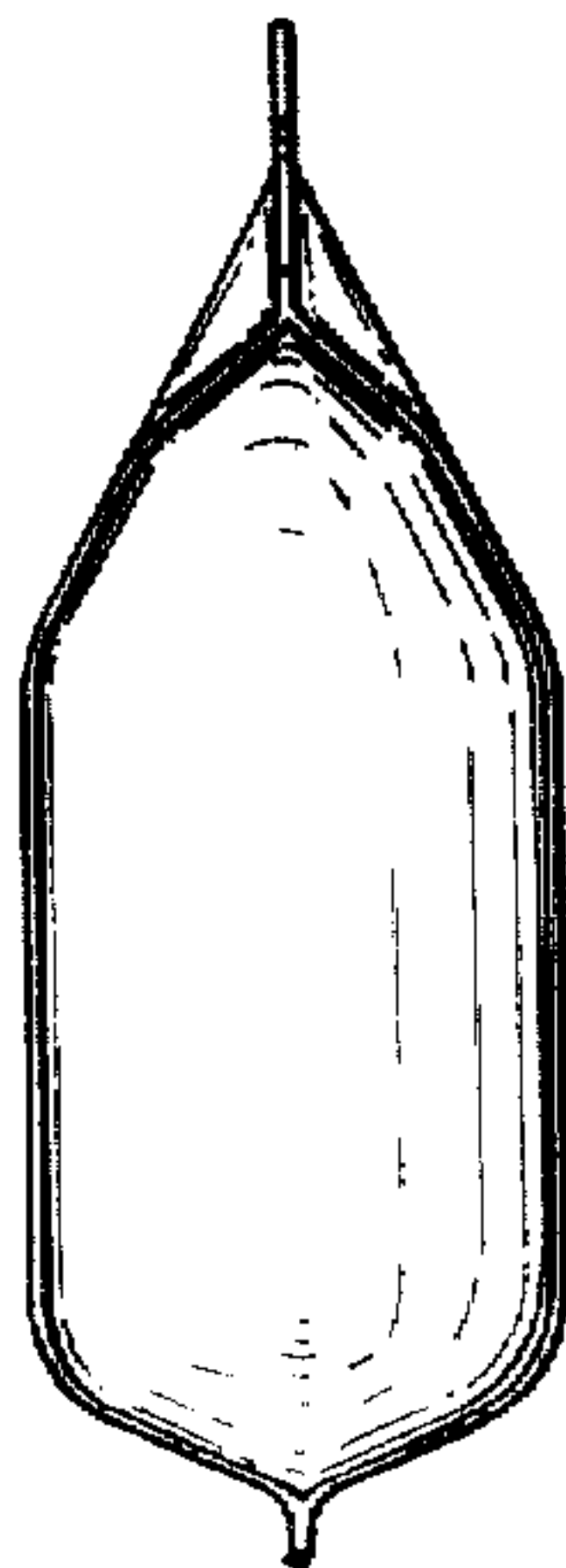


FIG. 4

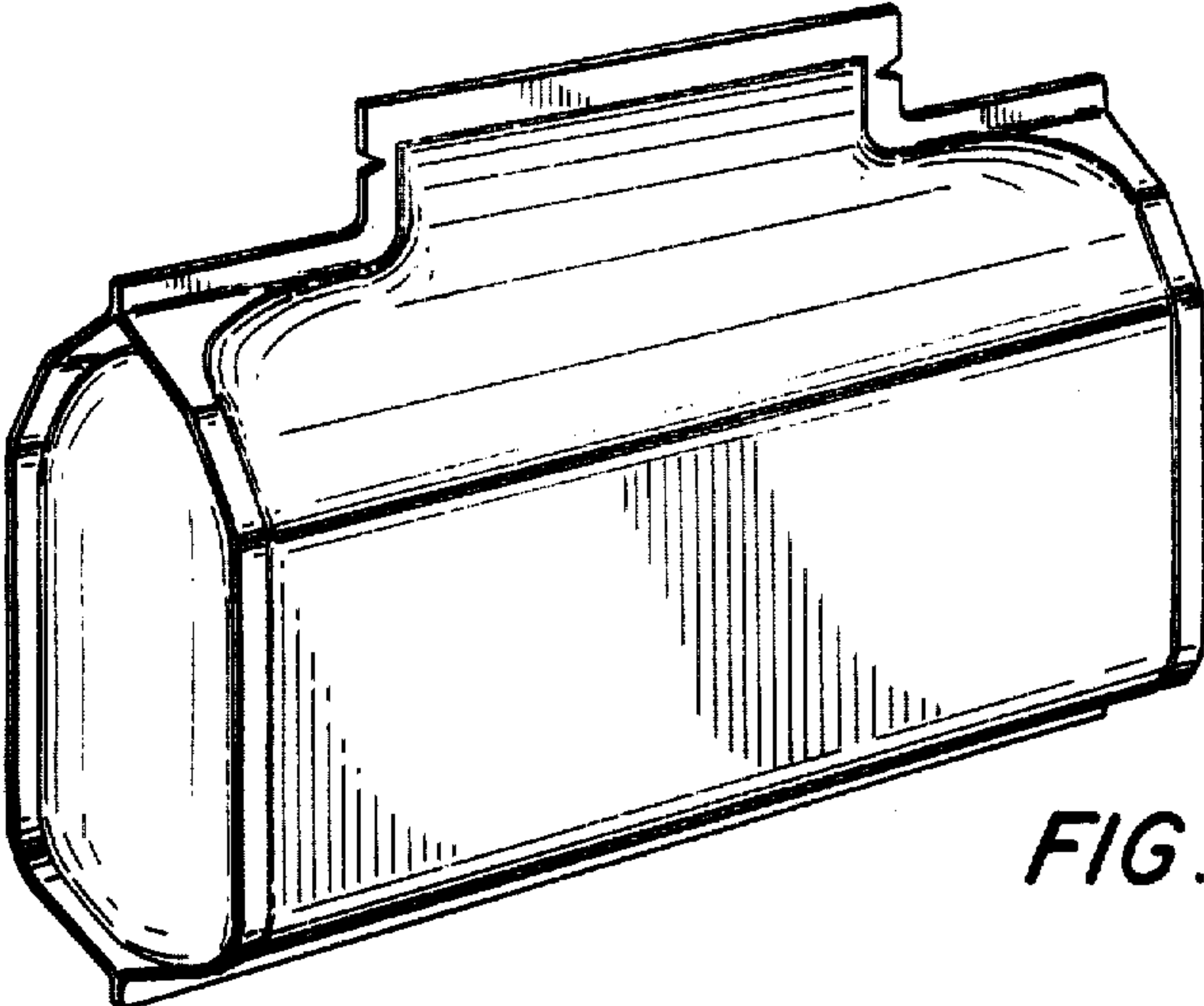


FIG. 5

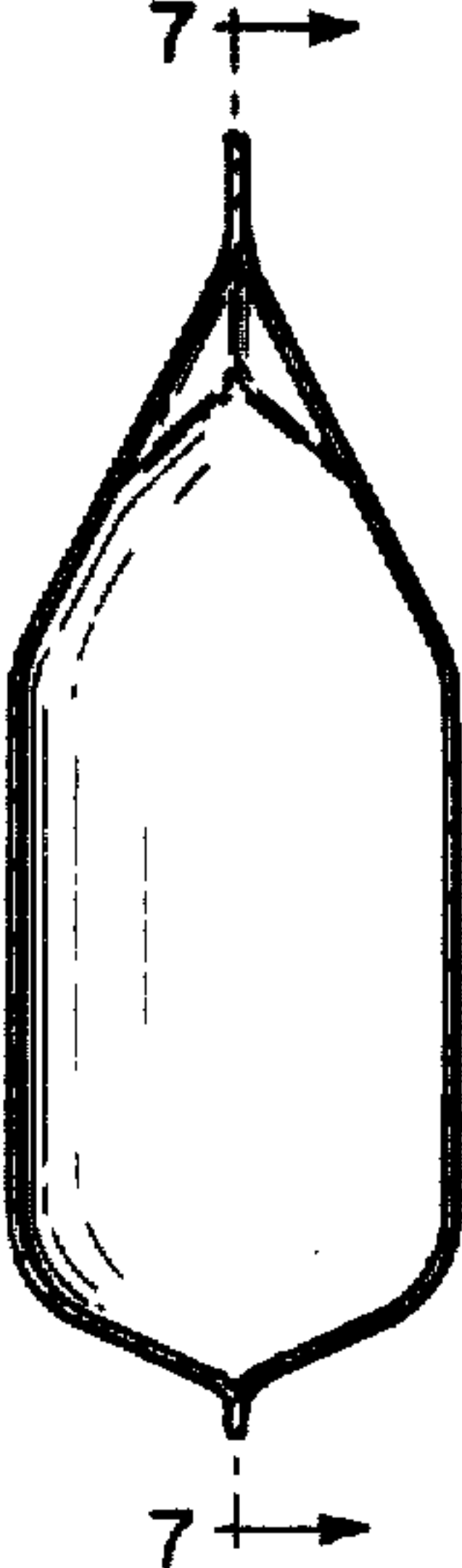


FIG. 6

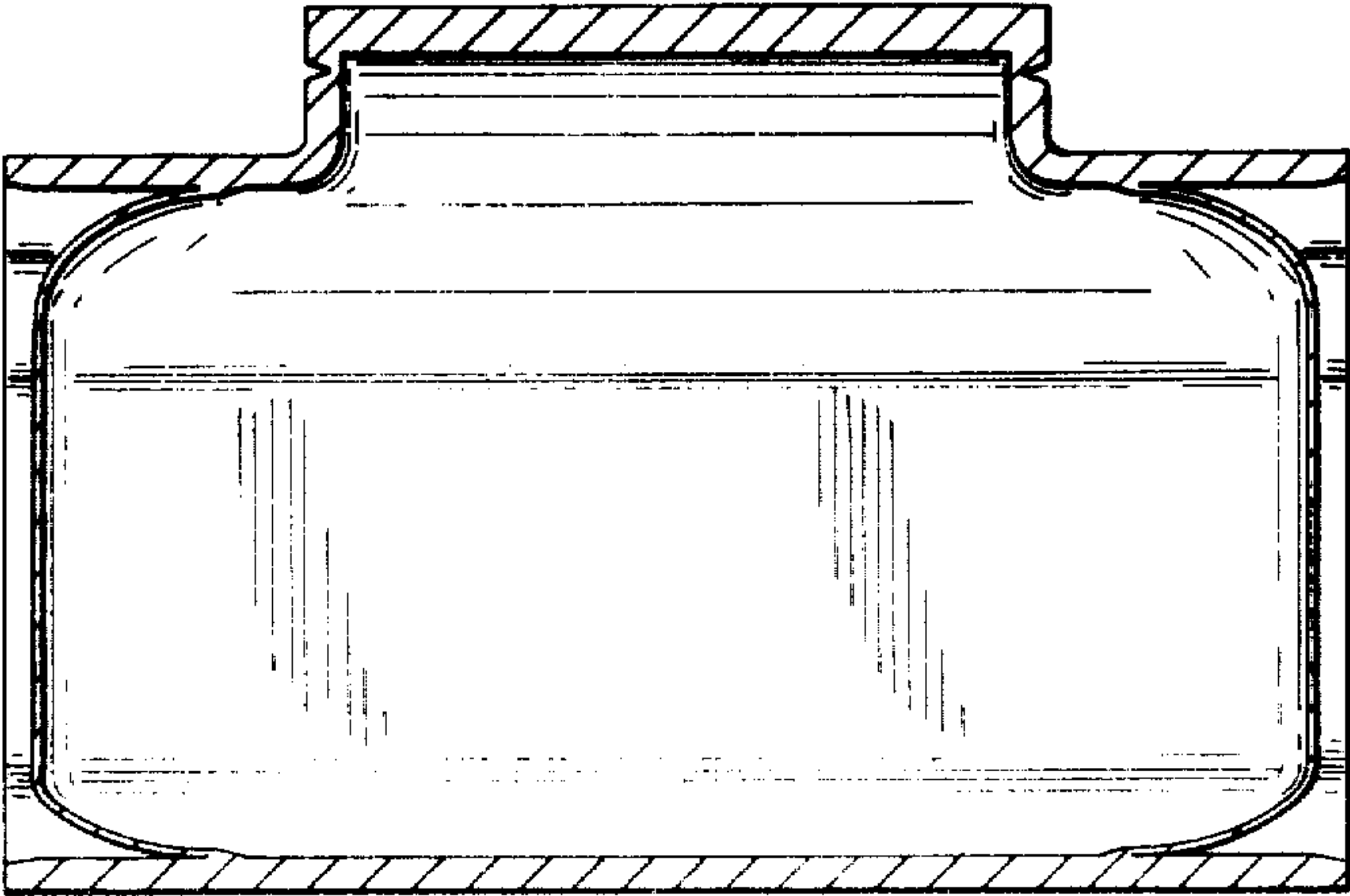
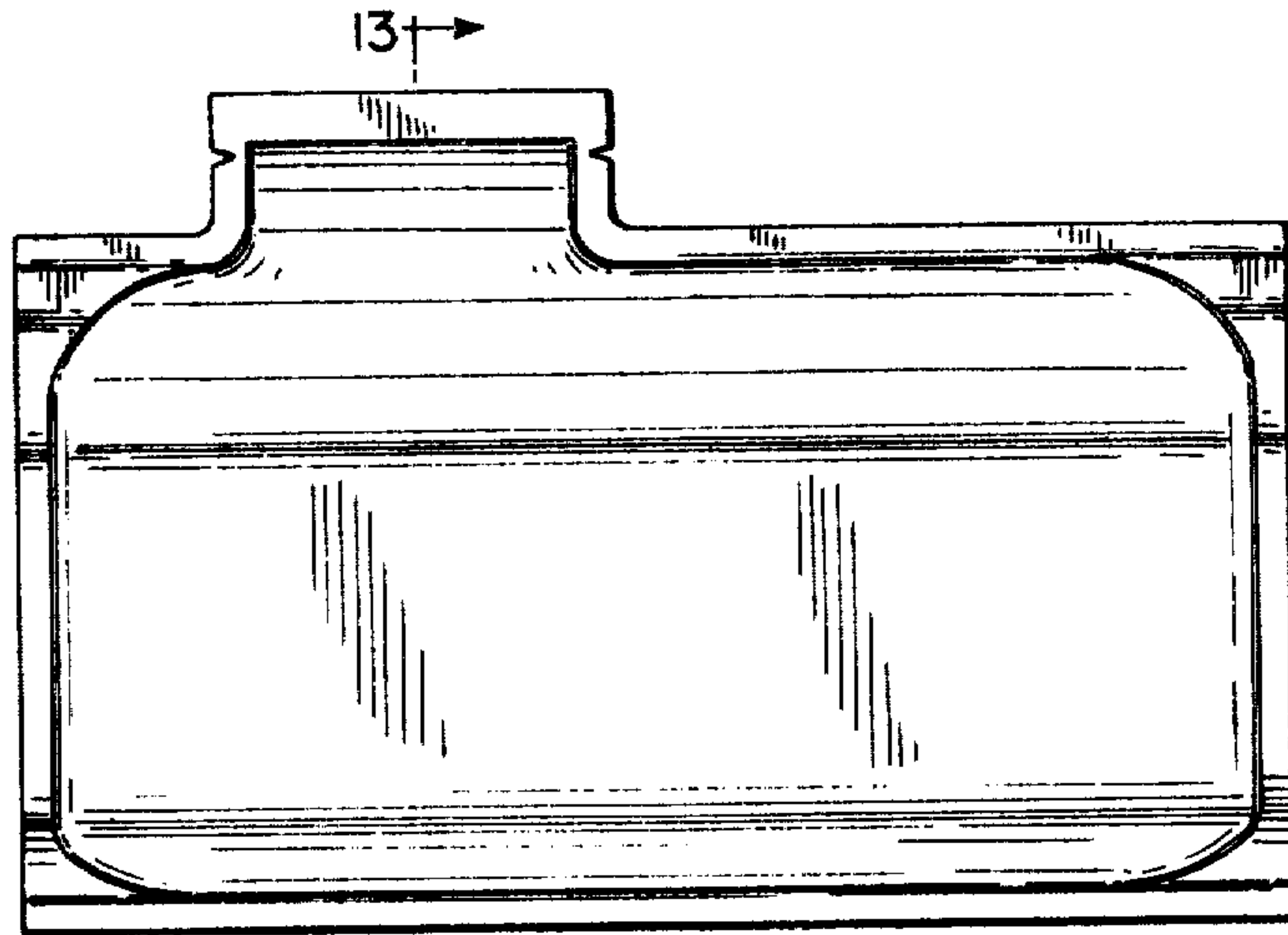
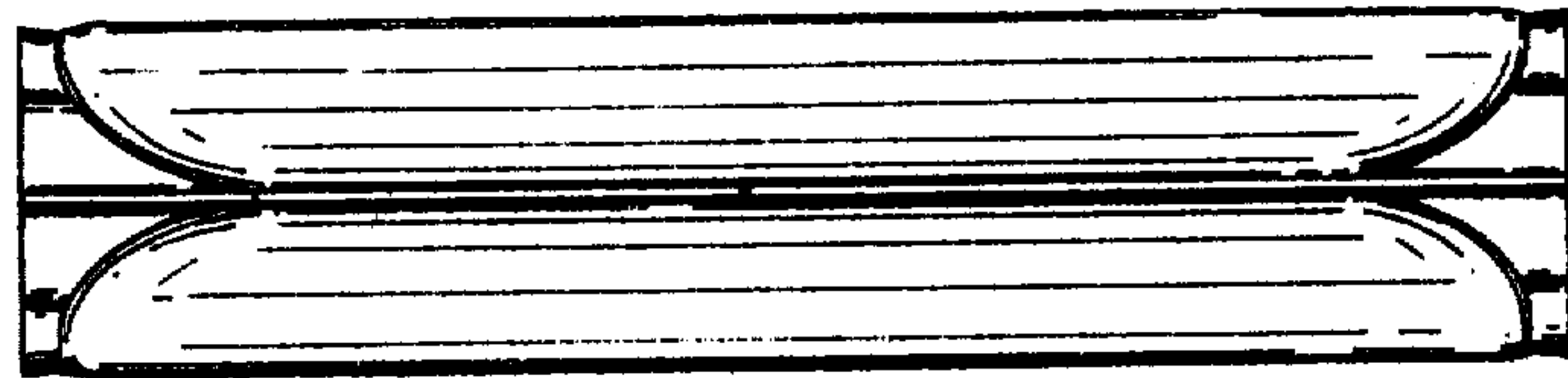
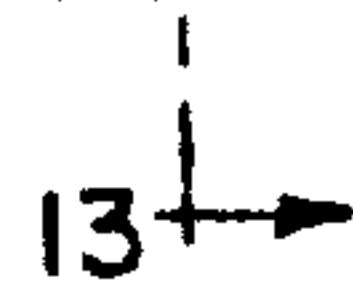


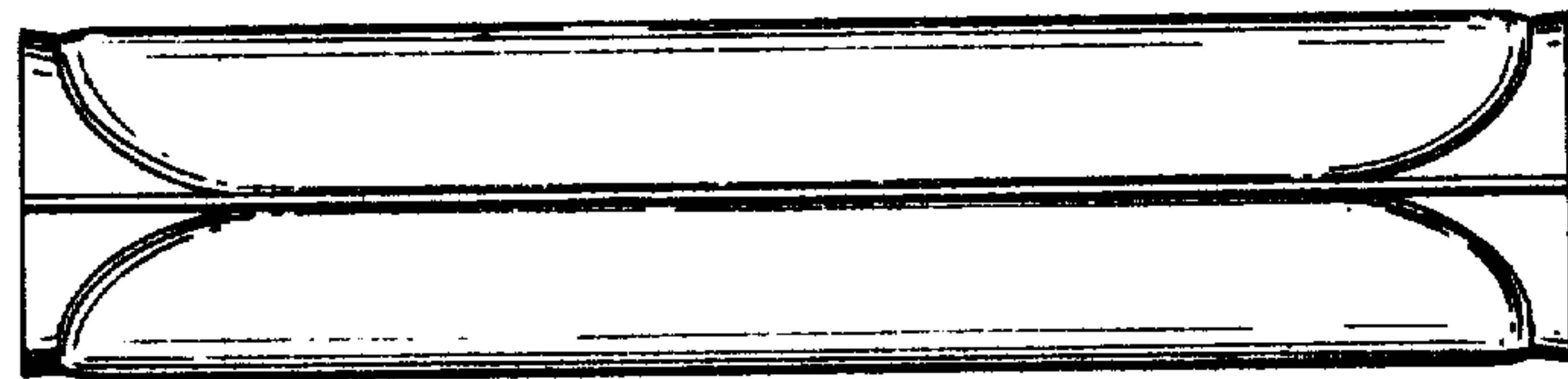
FIG. 7



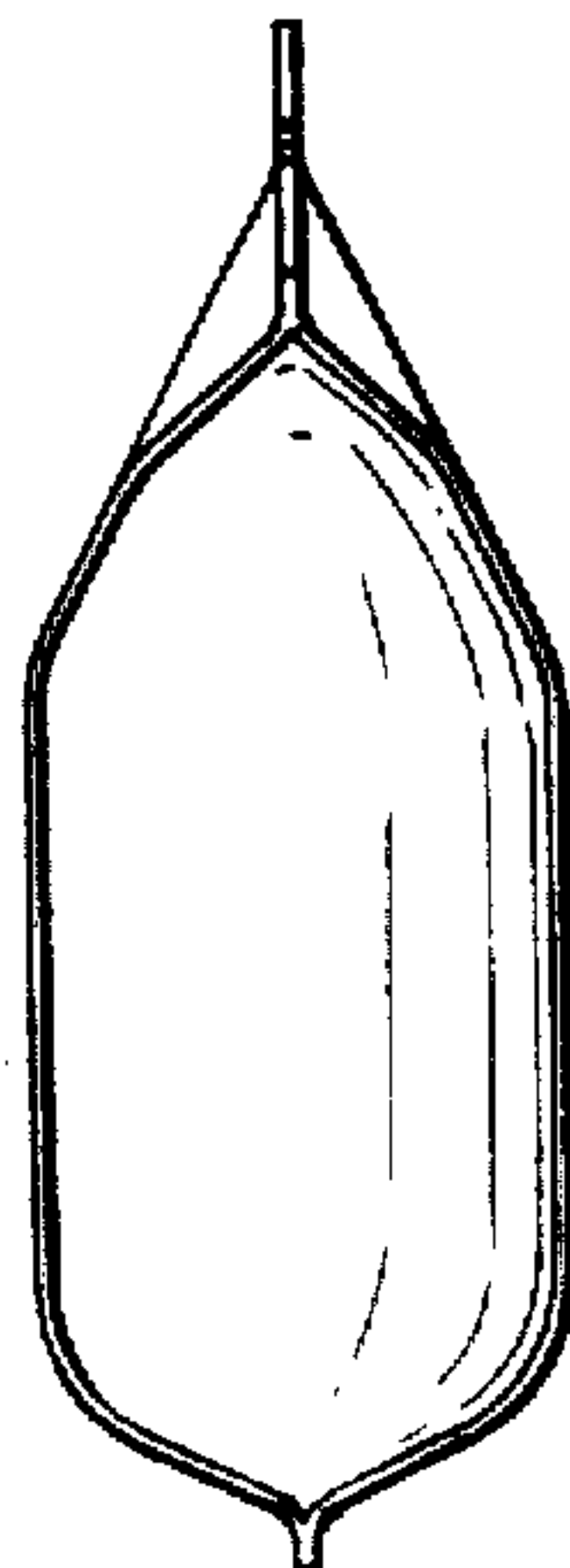
*FIG. 8*



*FIG. 9*



*FIG. 10*



*FIG. 11*



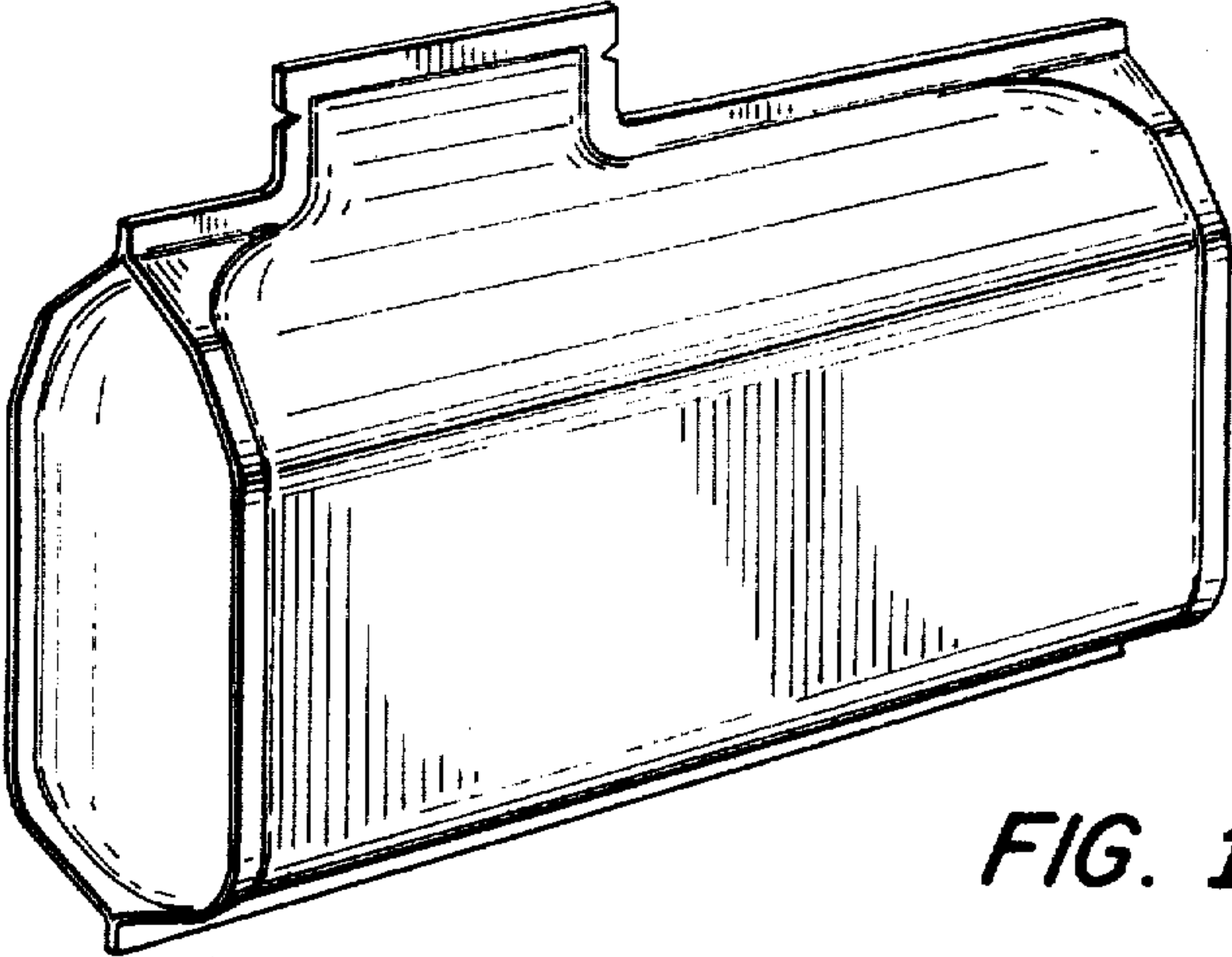


FIG. 12

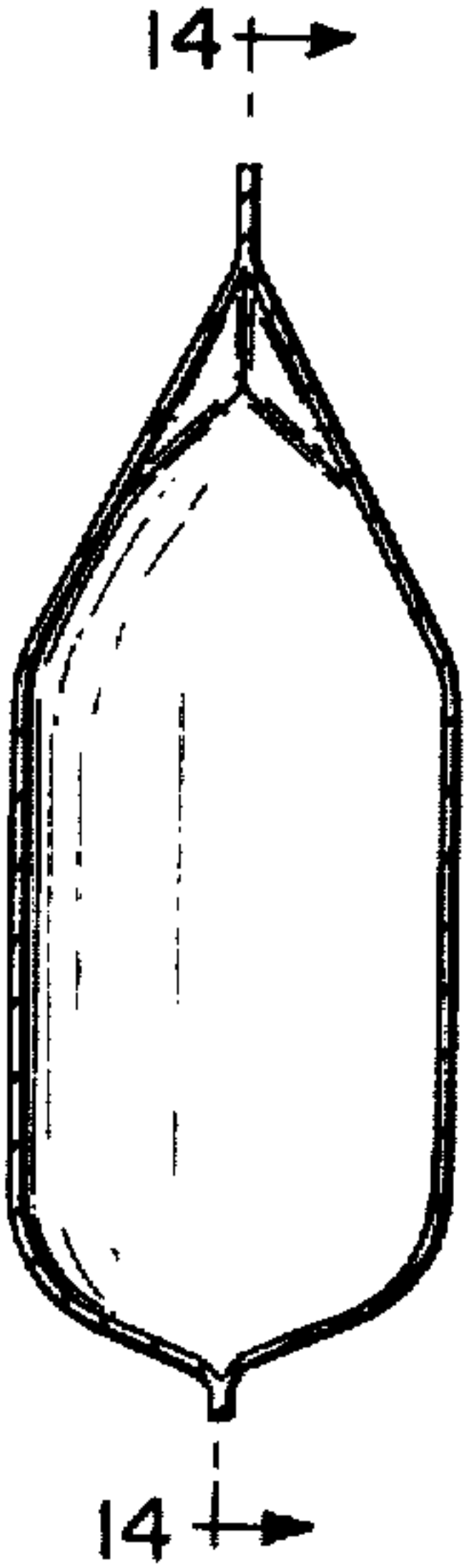


FIG. 13

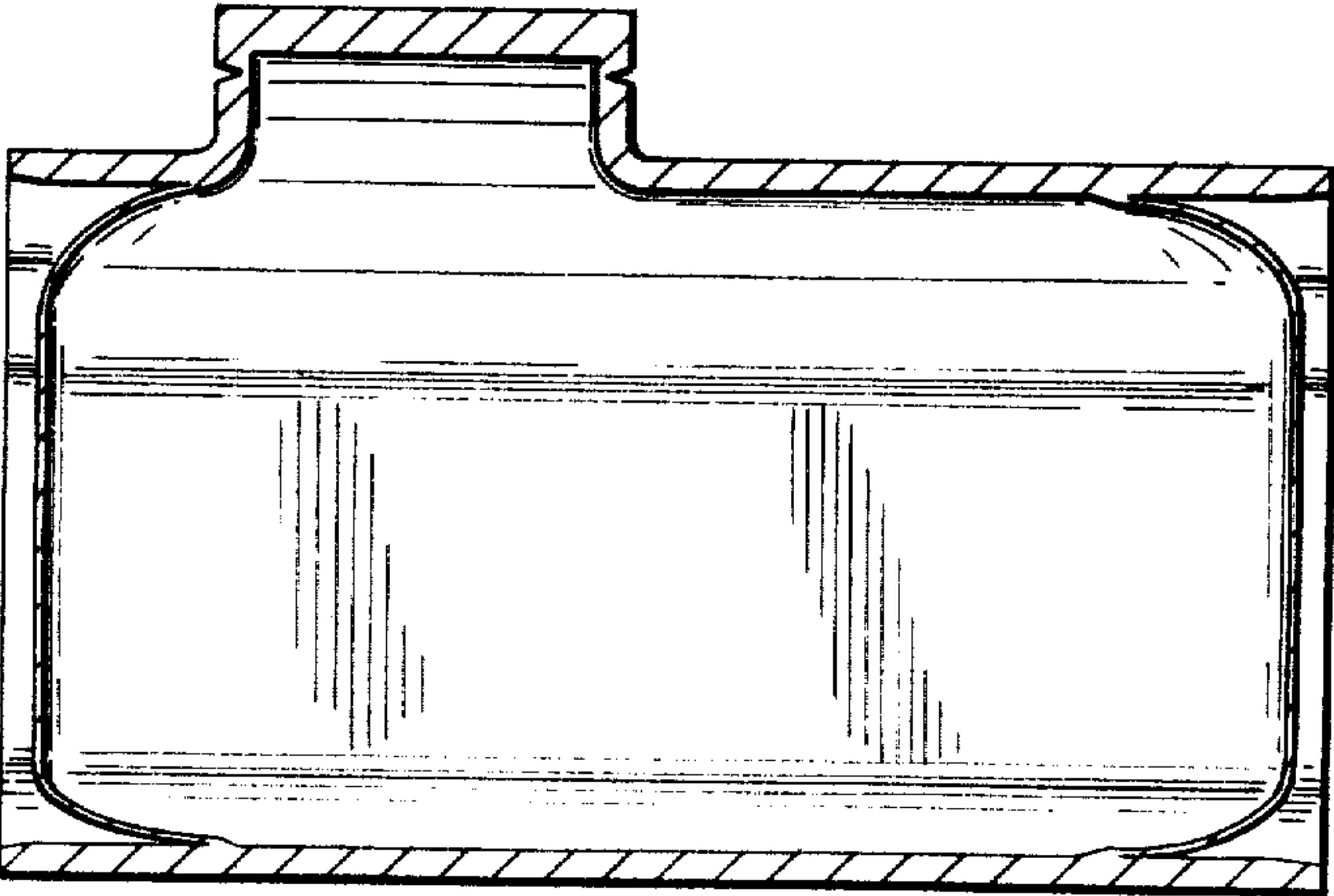


FIG. 14