

[54] **COMBINED HANDLE AND POSITION FIXATING DEVICE FOR USE WITH A GROUND CLOTH**
 [76] Inventor: **Thomas E. Fesler, 23132 Via San Gabriel, Mission Viejo, Calif. 92691**

[**] Term: **14 Years**

[21] Appl. No.: **260,618**

[22] Filed: **May 5, 1981**

[51] Int. Cl. **D8-08**

[52] U.S. Cl. **D8/390; D8/1; 411/475**

[58] Field of Search **D8/1-13, D8/391, 393, 389, 390, 392; 135/15 PE, 15 CF; 40/10 C; D21/255; 411/457, 484, 475, 481**

[56] **References Cited**

U.S. PATENT DOCUMENTS

D. 21,112	10/1891	McGill	D8/389
D. 32,015	12/1899	Waggoner	D8/390
249,851	11/1981	McGill	411/475
275,435	4/1983	Sweet	411/475
578,100	3/1897	Hay	411/481
633,242	9/1899	Hayes	411/475
644,976	3/1900	Gibson	411/457

948,913	2/1910	Yetter	411/475
1,159,527	11/1915	Mosman	411/457
1,264,238	4/1918	Whetstone	411/457
1,691,537	11/1928	Wright	411/457
2,857,695	10/1958	Goetting	40/10 C
2,939,468	6/1960	Boyce	135/15 CF

FOREIGN PATENT DOCUMENTS

786526	9/1935	France	411/457
27660	of 1912	United Kingdom	411/457

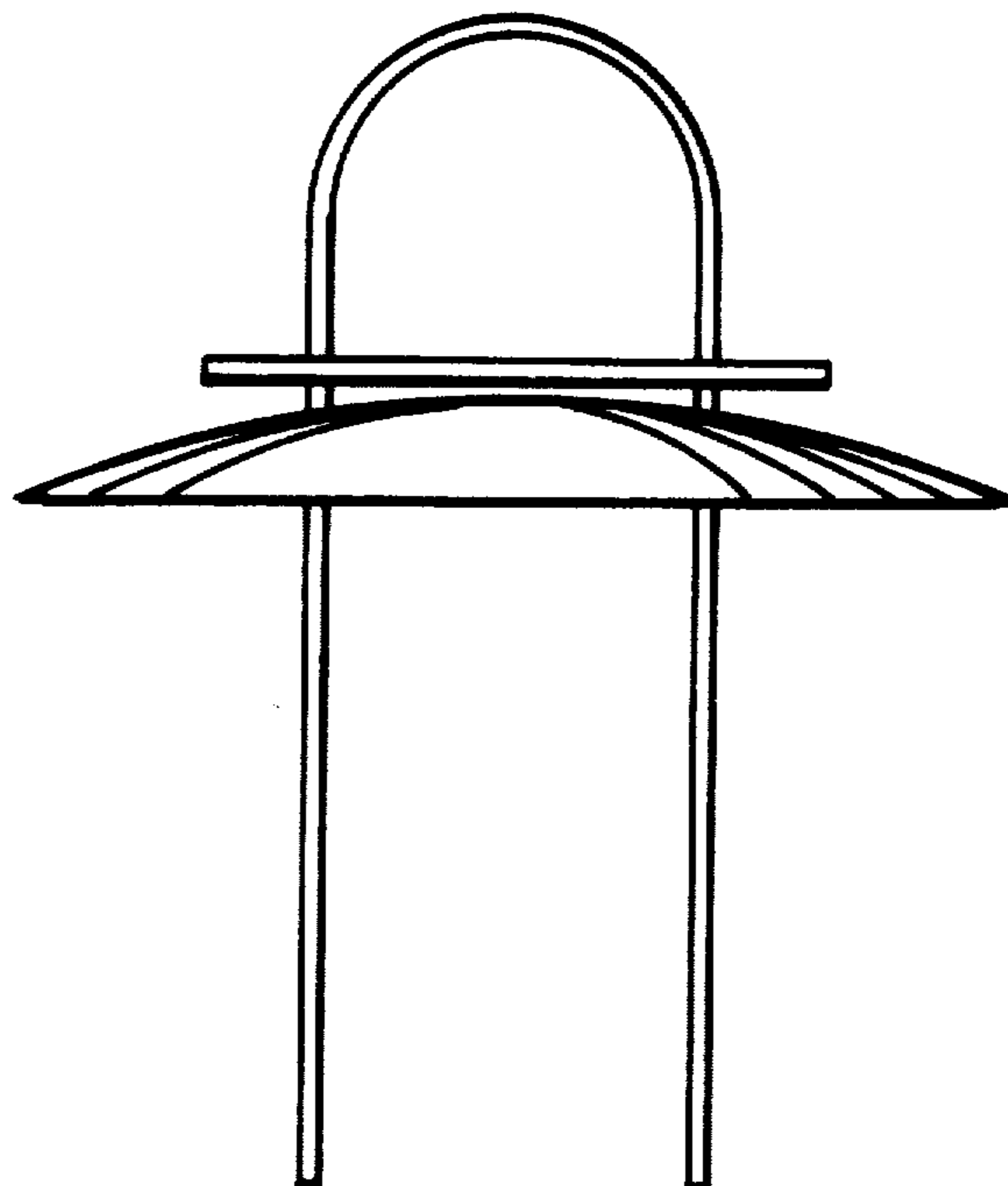
Primary Examiner—James M. Gandy
Assistant Examiner—Horace B. Fay, Jr.
Attorney, Agent, or Firm—Fischer, Tachner & Strauss

[57] **CLAIM**

The ornamental design for a combined handle and position fixating device for use with a ground cloth, as shown and described.

DESCRIPTION

FIG. 1 is a front view of a combined handle and position fixating device for use with a ground cloth showing one embodiment of my new design;
 FIG. 2 is a front view of a combined handle and position fixating device for use with a ground cloth showing a second embodiment of my new design;
 FIG. 3 is a top view of the device shown in FIG. 1;
 FIG. 4 is a top view of the device shown in FIG. 2.



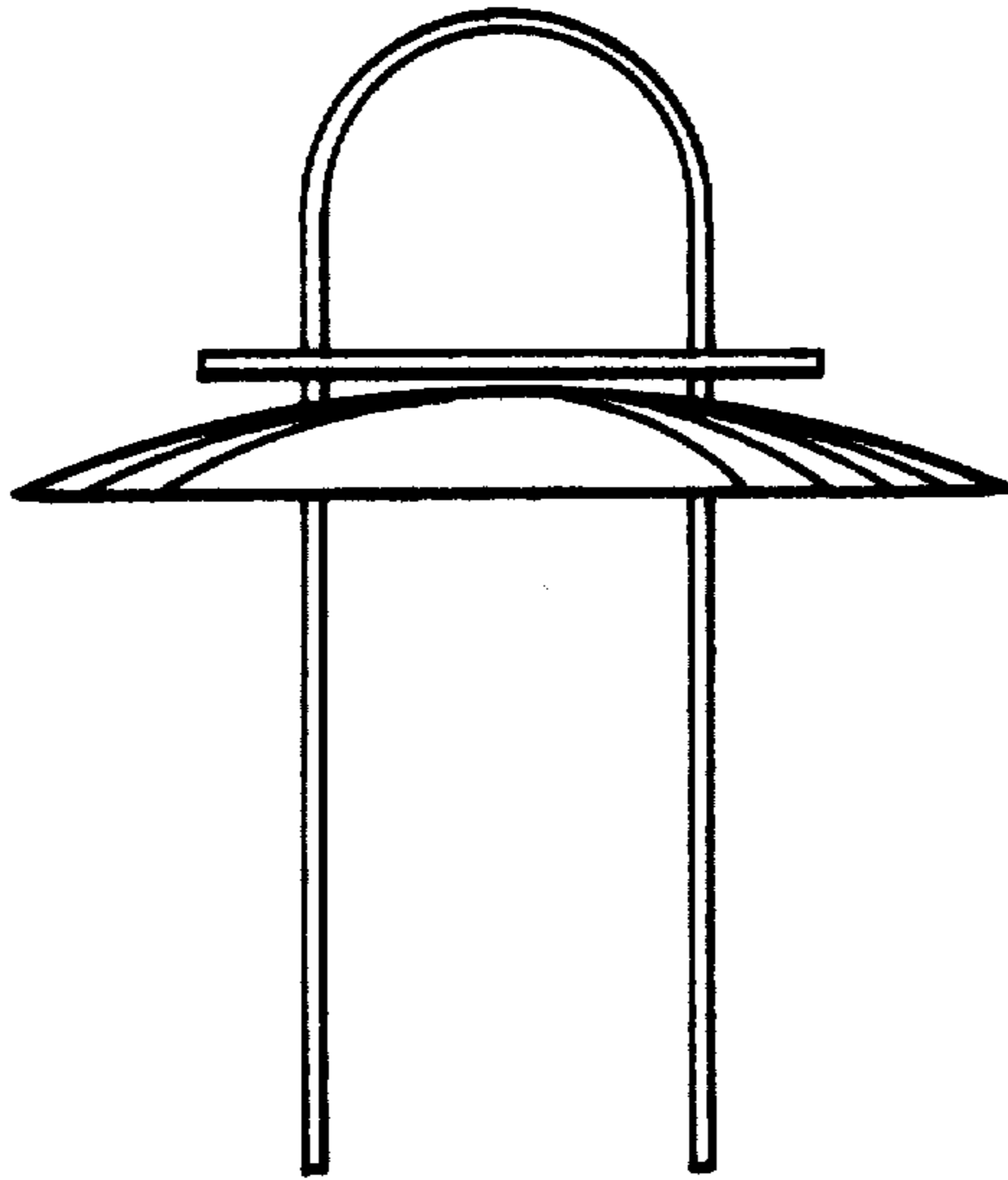


FIG. 1

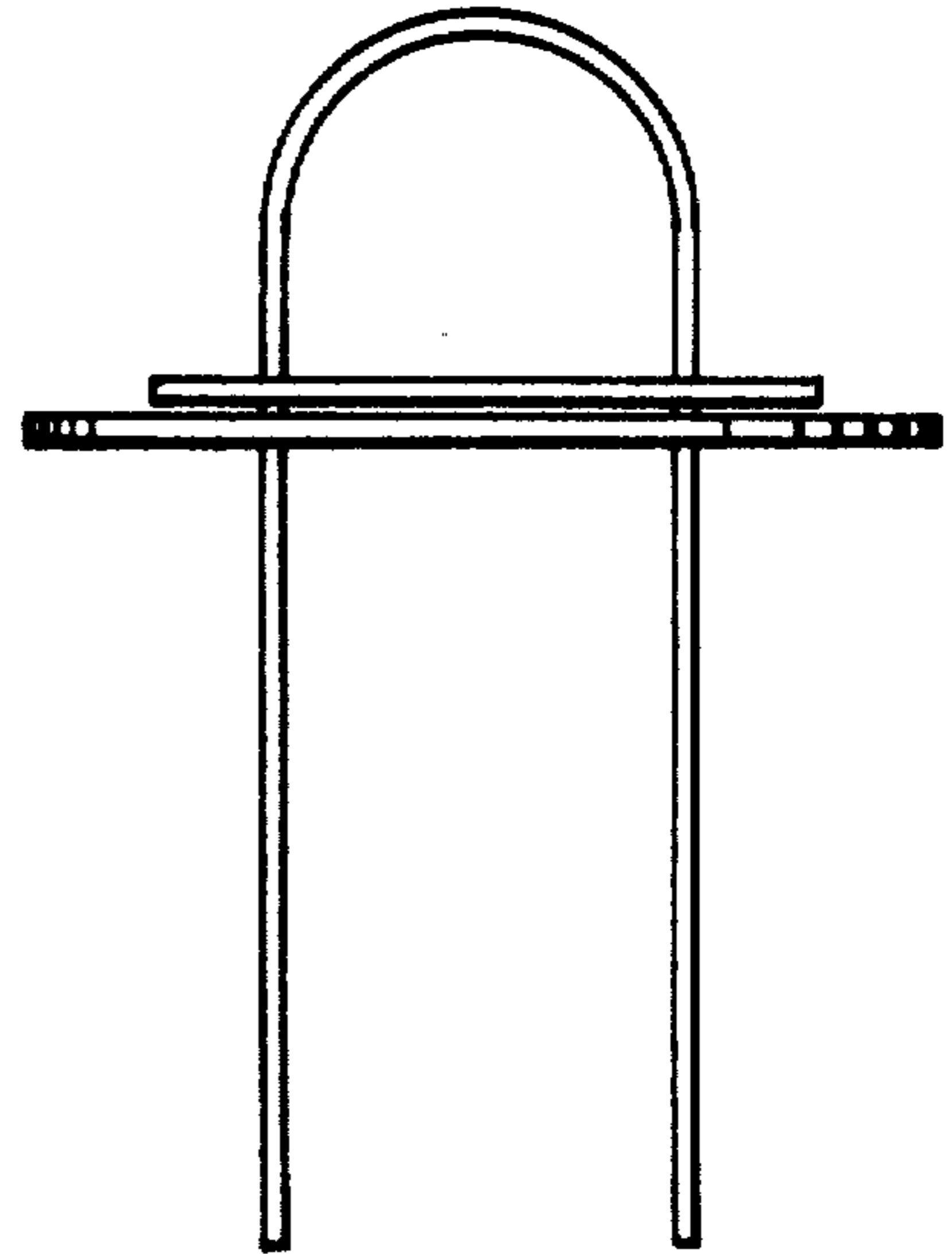


FIG. 2

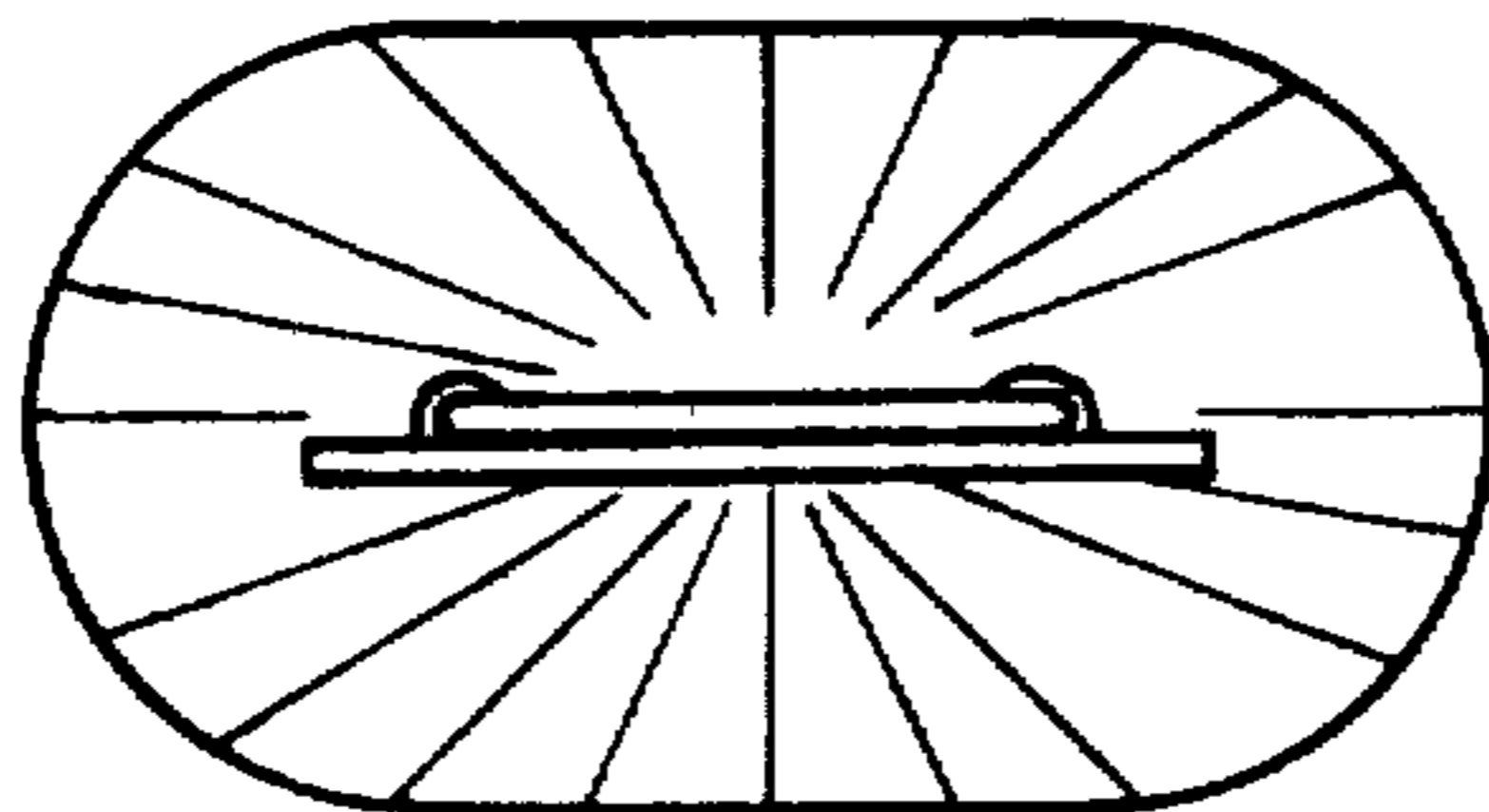


FIG. 3

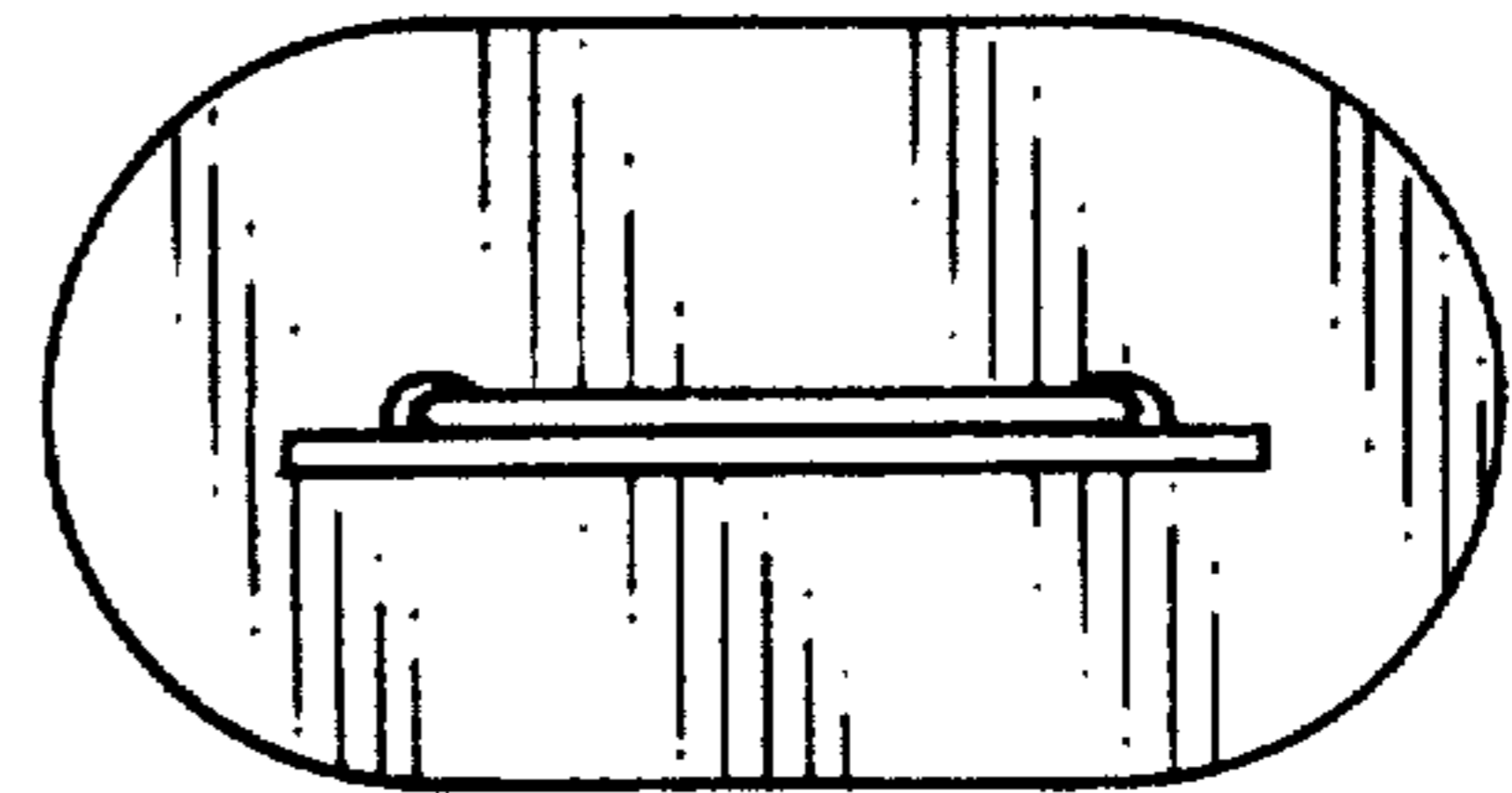


FIG. 4