

[54] SEPARABLE CONNECTOR

[75] Inventor: Thorp C. Cowdroy, Sydney, Australia

[73] Assignee: Clive Investments Pty. Limited, Australia

[**] Term: 14 Years

[21] Appl. No.: 235,302

[22] Filed: Feb. 13, 1981

[51] Int. Cl. D8-08

[52] U.S. Cl. D8/382; D8/394

[58] Field of Search D8/382, 394; 403/344, 403/345, 405, 407, 362, 189, 234

[56] References Cited

U.S. PATENT DOCUMENTS

2,191,444 2/1940 Fleming 403/344
4,128,353 12/1978 Lauterbach 403/344

FOREIGN PATENT DOCUMENTS

568247 12/1958 Canada 403/344
1452817 10/1976 United Kingdom .

Primary Examiner—B. J. Bullock

Attorney, Agent, or Firm—Beveridge, De Grandi & Kline

[57] CLAIM

The ornamental design for a separable connector, substantially as shown.

DESCRIPTION

FIG. 1 is a perspective view of a separable connector showing my new design;

FIG. 2 is a top plan view thereof, the bottom being a mirror image;

FIG. 3 is an elevational view of the outer surface of the element shown to the rear of FIG. 1;

FIG. 4 is a top plan view of FIG. 3;

FIG. 5 is a bottom plan view of FIG. 3;

FIG. 6 is an elevational view of the side opposite that shown in FIG. 3;

FIG. 7 is an end elevational view taken from the left side of FIG. 3;

FIG. 8 is an end elevational view taken from the right of FIG. 3;

FIG. 9 is an elevational view of the outer surface of the forward element of FIG. 1;

FIG. 10 is a top plan view of FIG. 9;

FIG. 11 is a bottom plan view of FIG. 9;

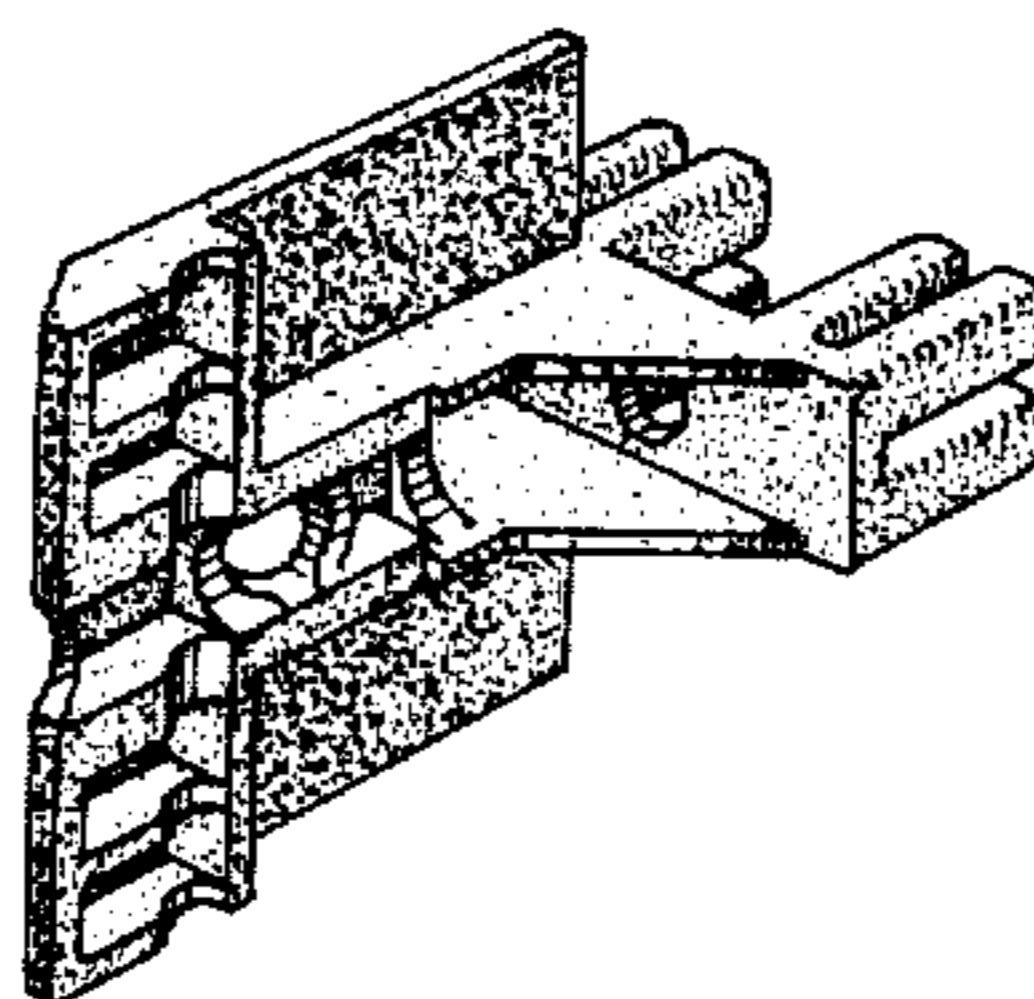
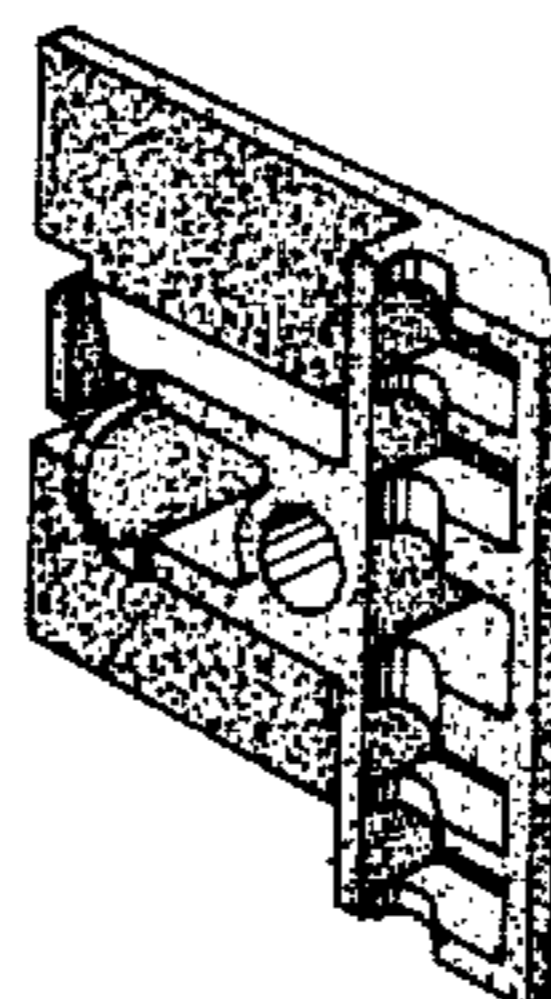
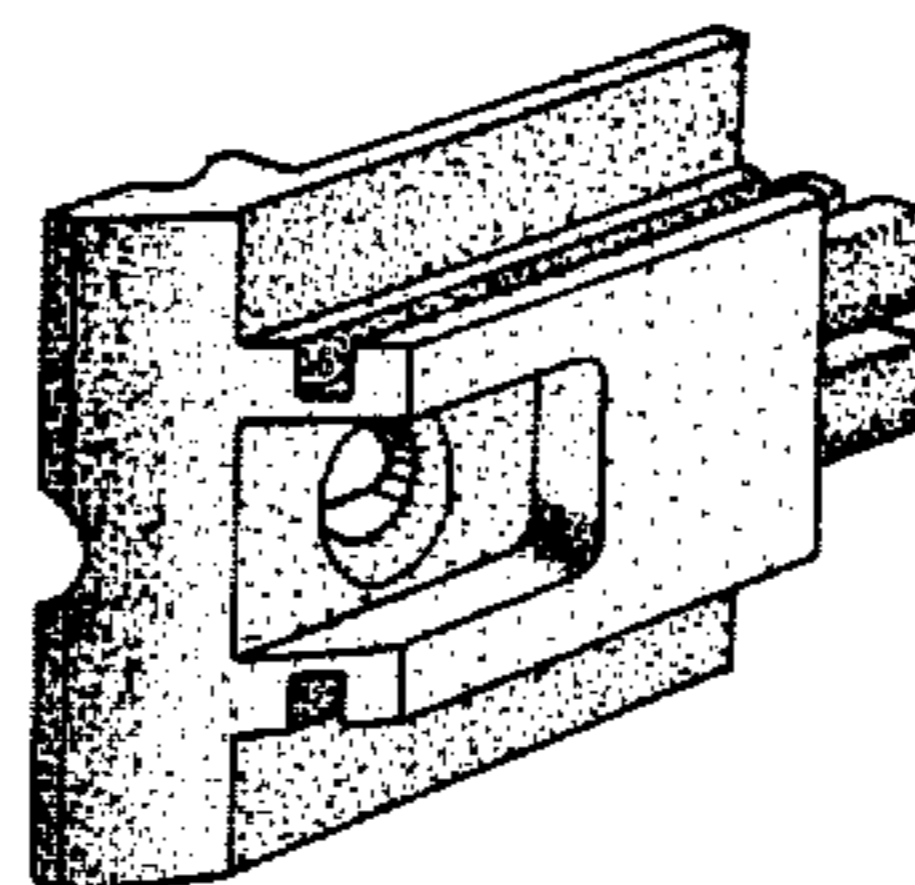
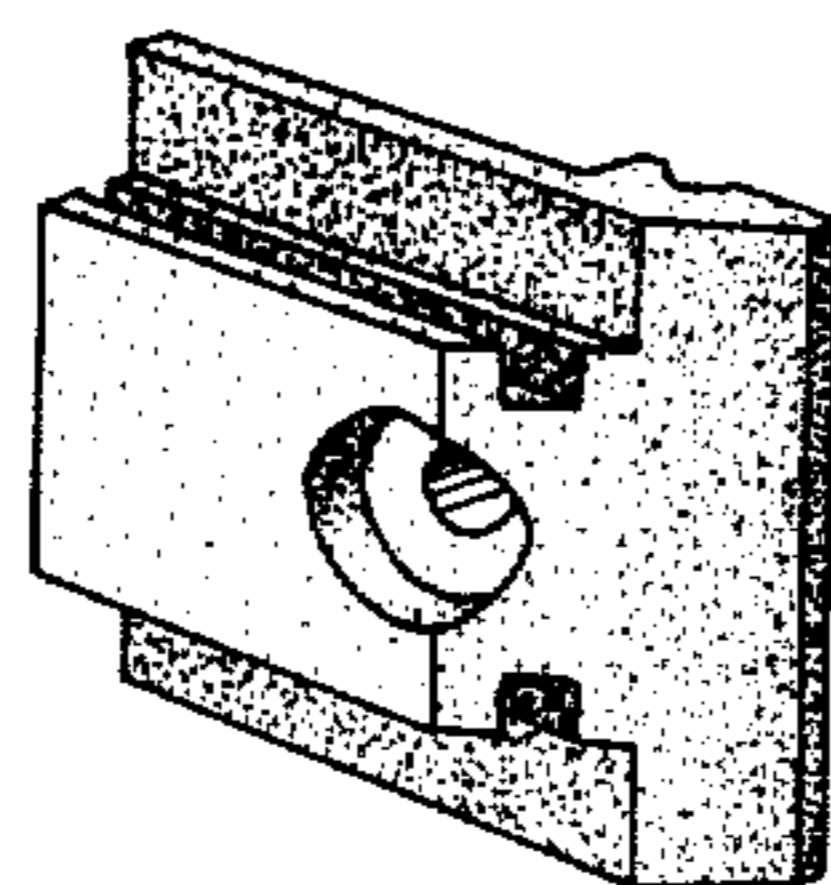
FIG. 12 is an elevational view of the side opposite that shown in FIG. 9;

FIG. 13 is an end elevational view taken from the left of FIG. 9;

FIG. 14 is an end elevational view taken from the right of FIG. 9;

FIG. 15 is a perspective view similar to FIG. 1, but with the element to the rear of FIG. 1 rotated counterclockwise into view;

FIG. 16 is a perspective view of the opposite sides of the element of FIG. 15, further rotated apart.



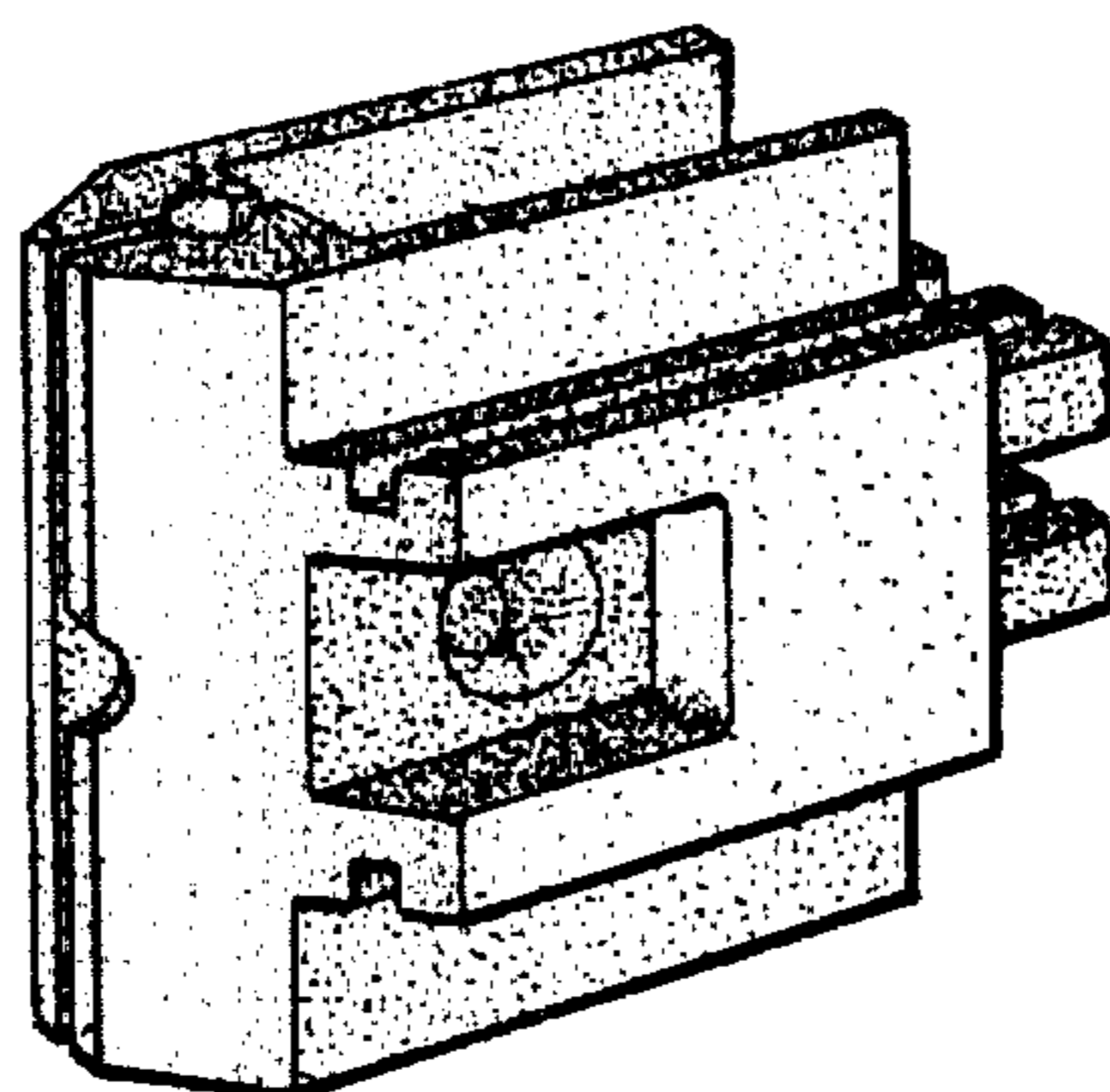


Fig. 1

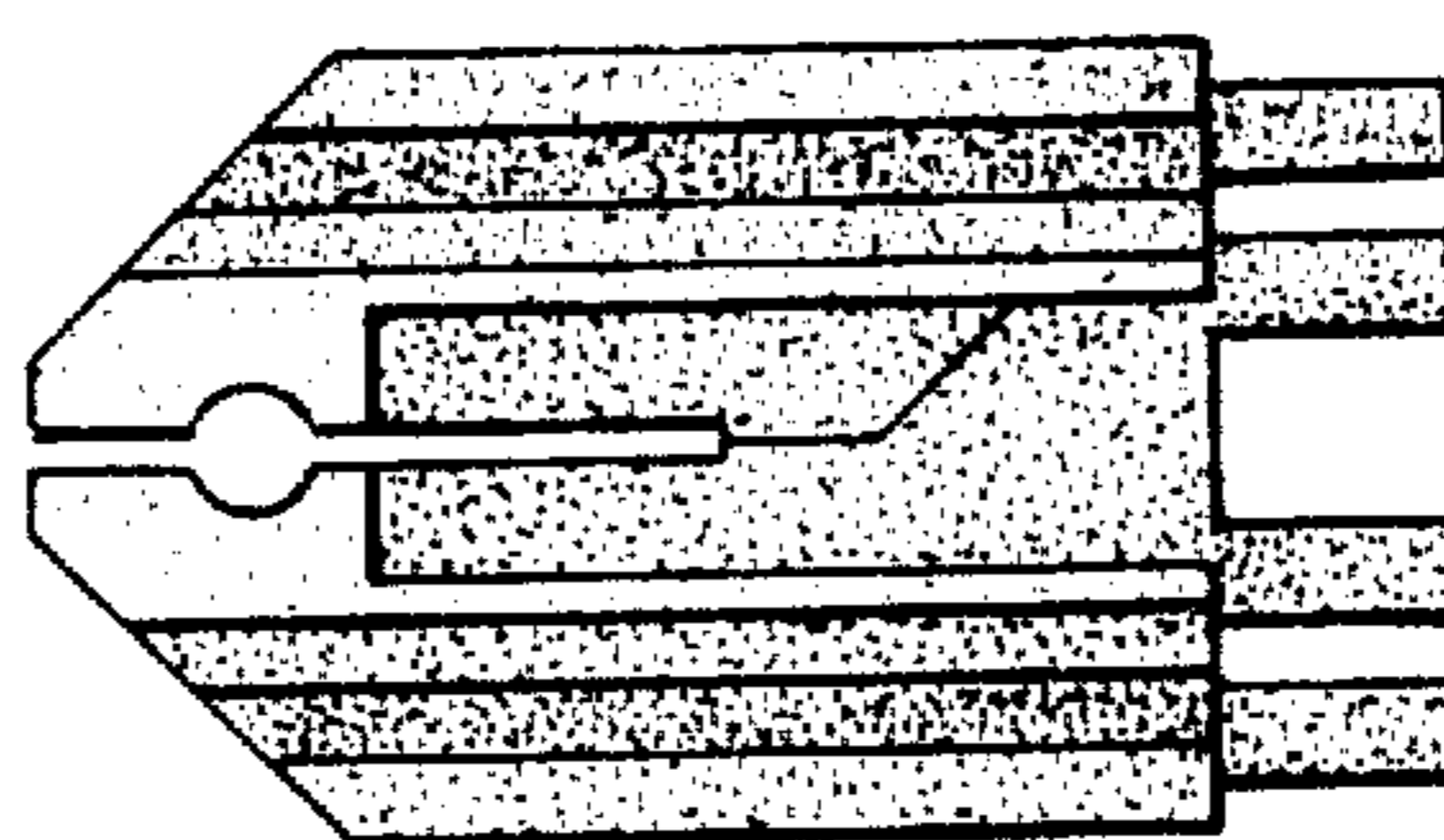


Fig. 2

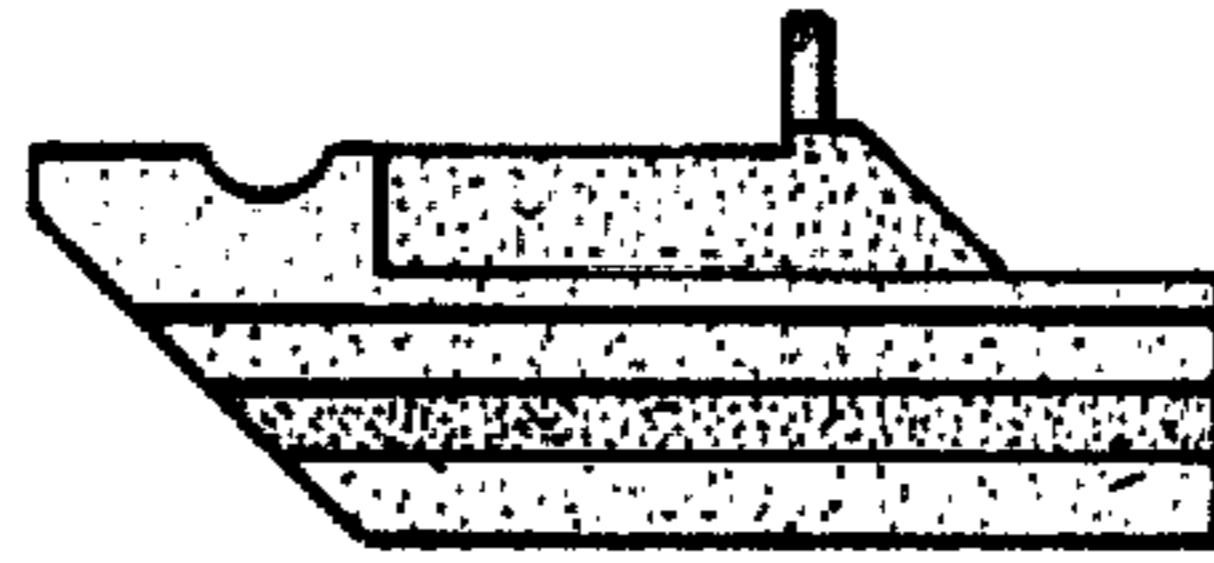


FIG. 4

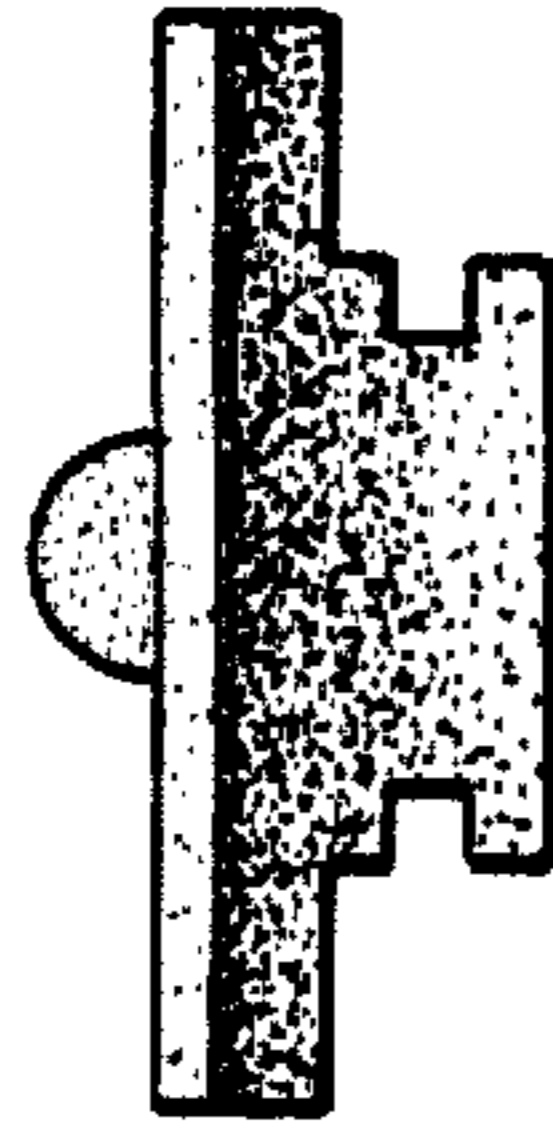


FIG. 7

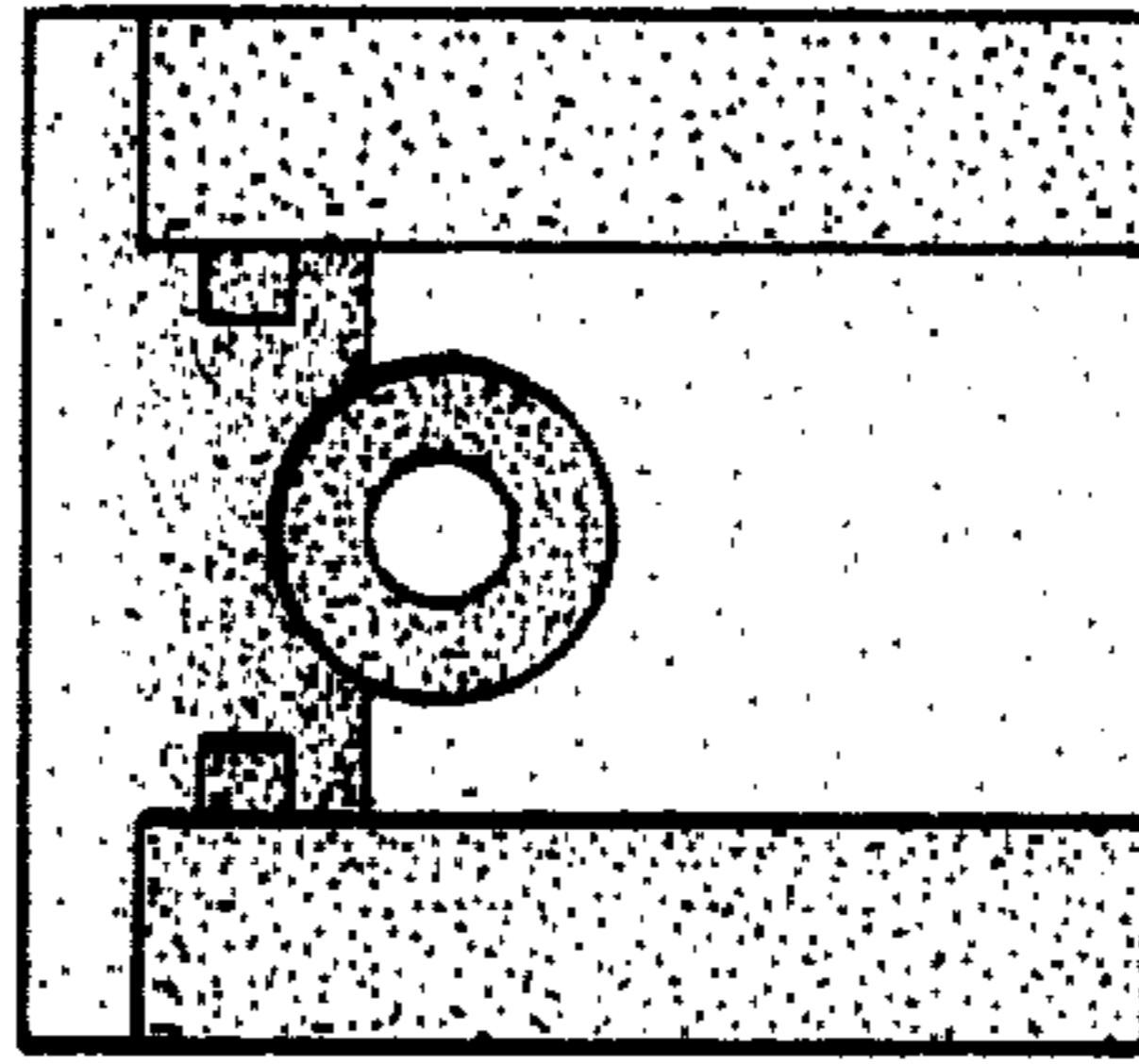


FIG. 3

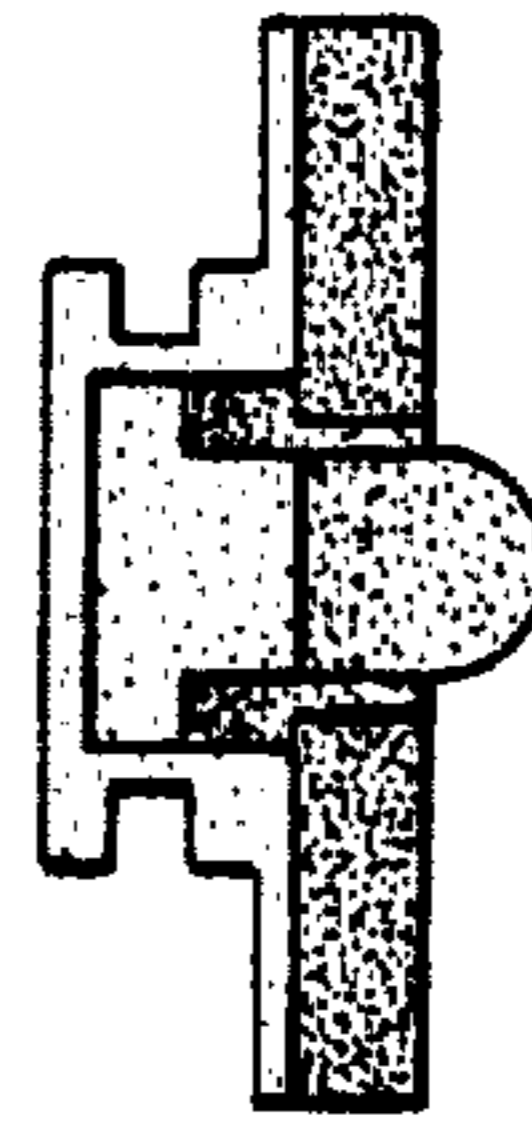


FIG. 8

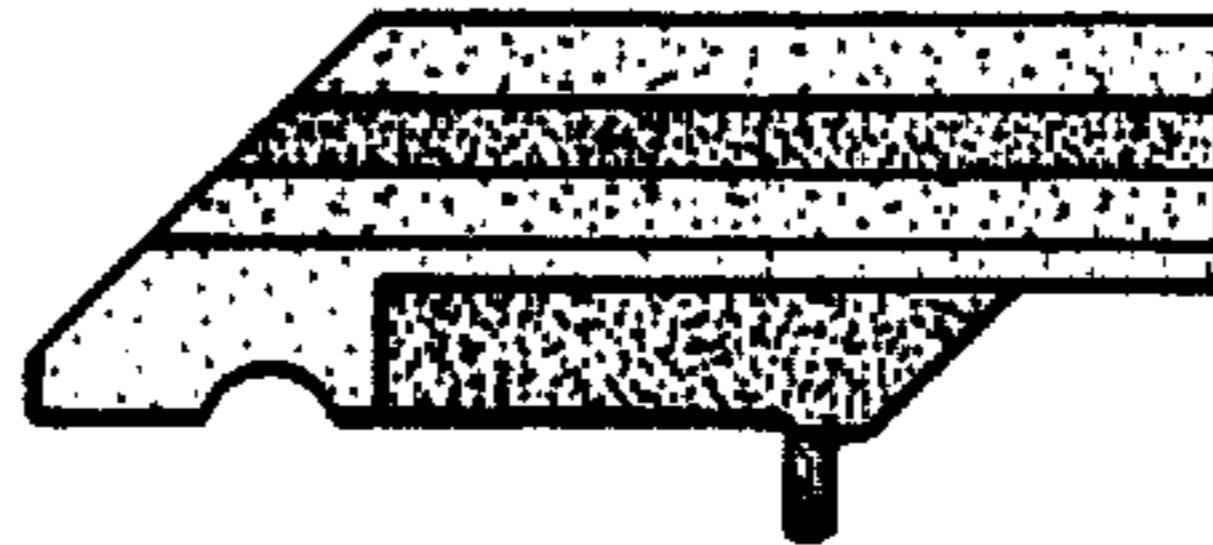


FIG. 5

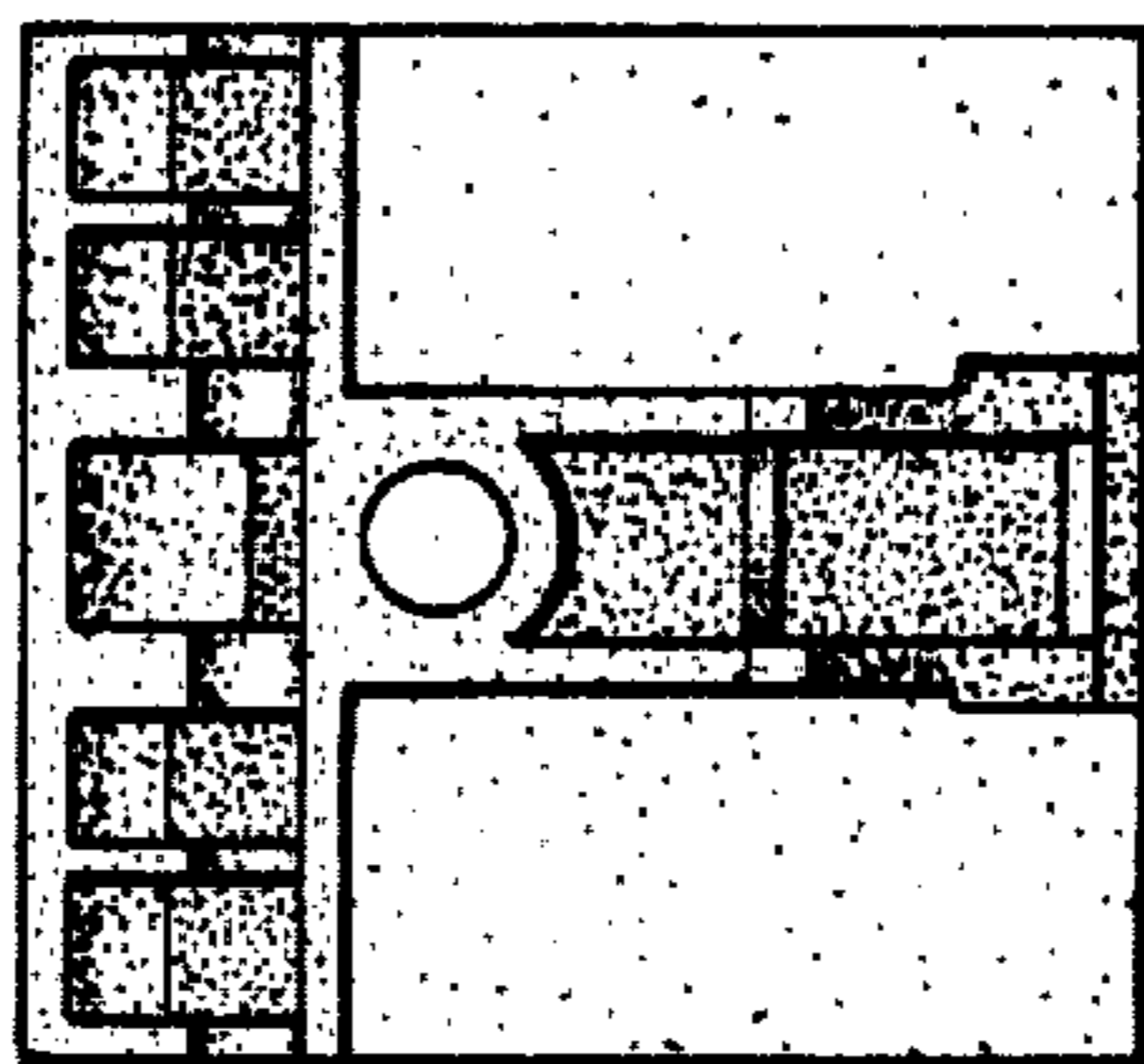


FIG. 6

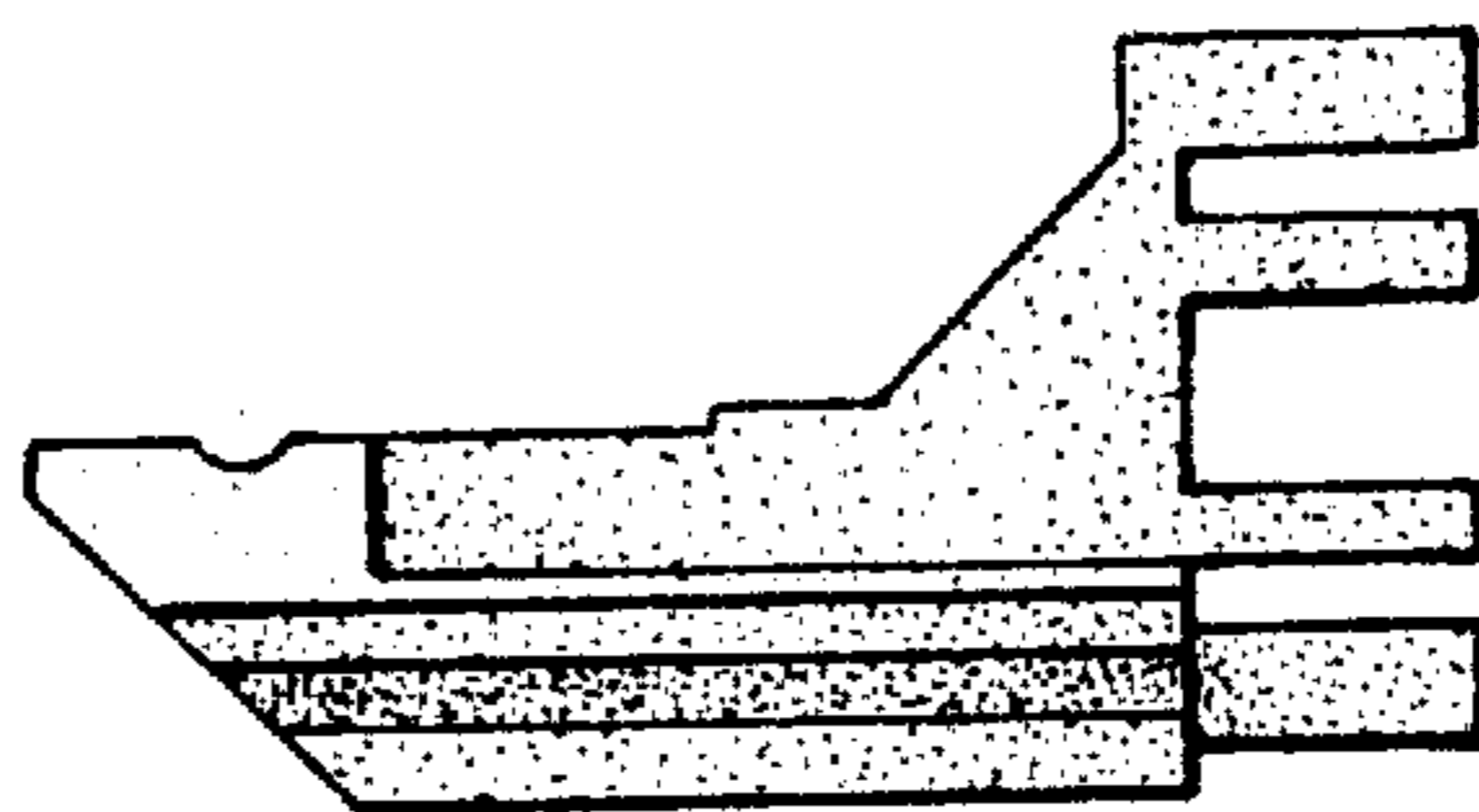


FIG. 10

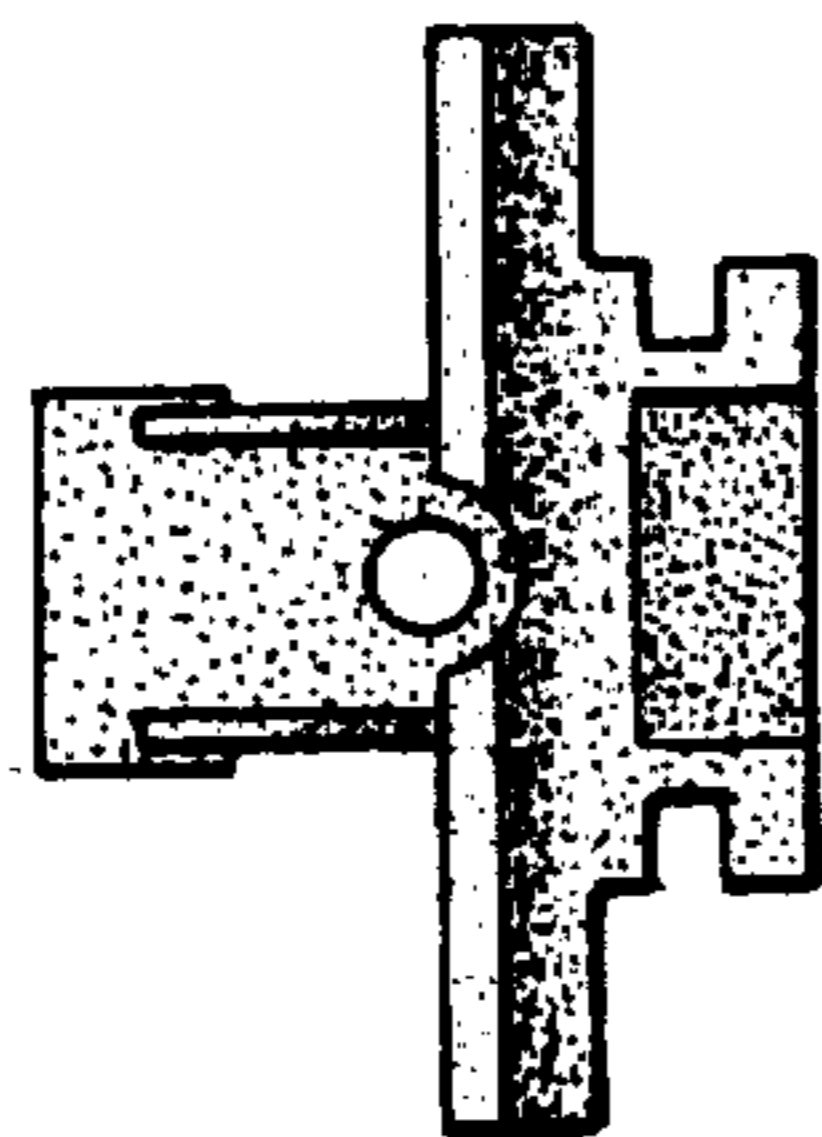


FIG. 13

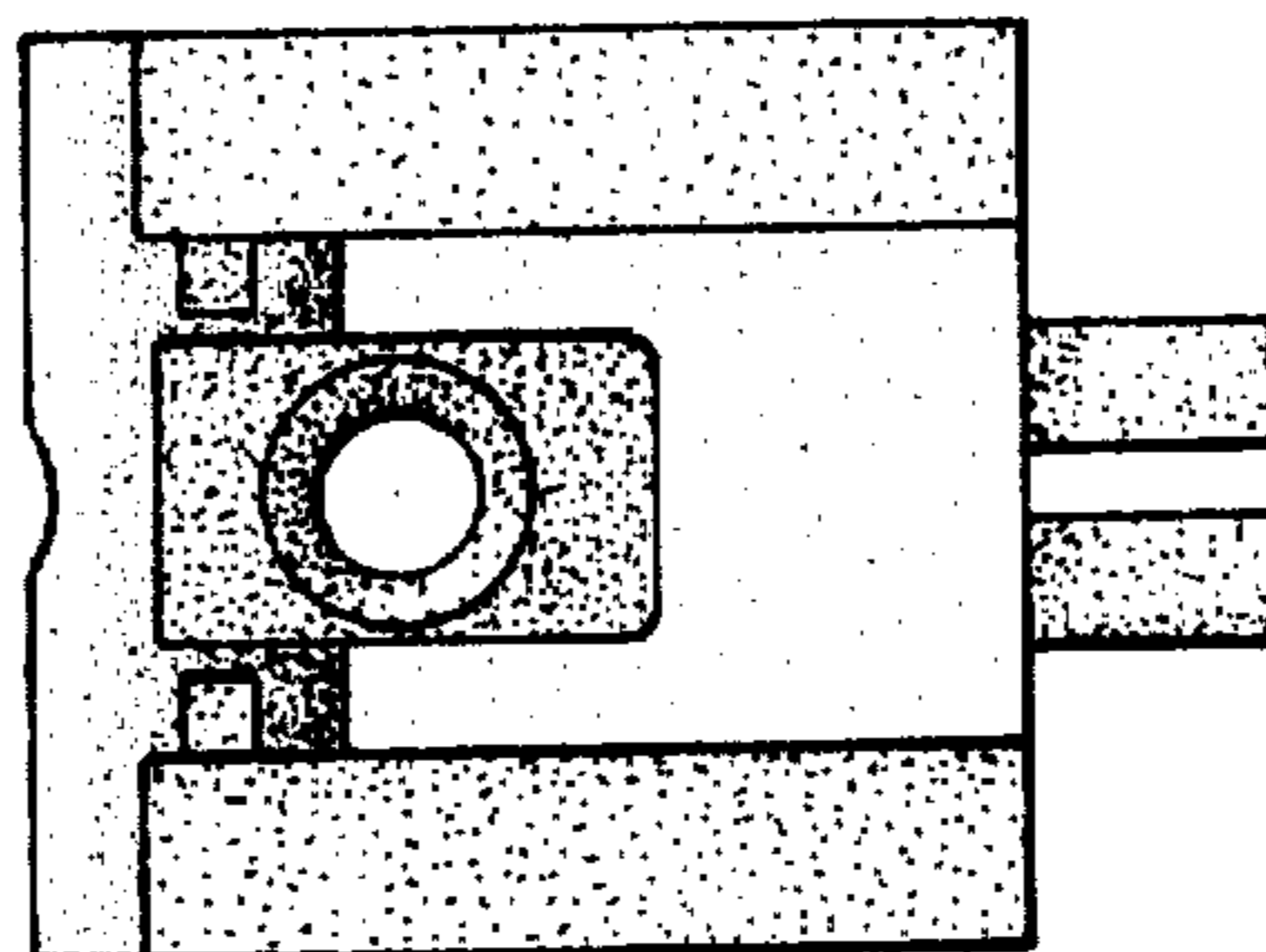


FIG. 9

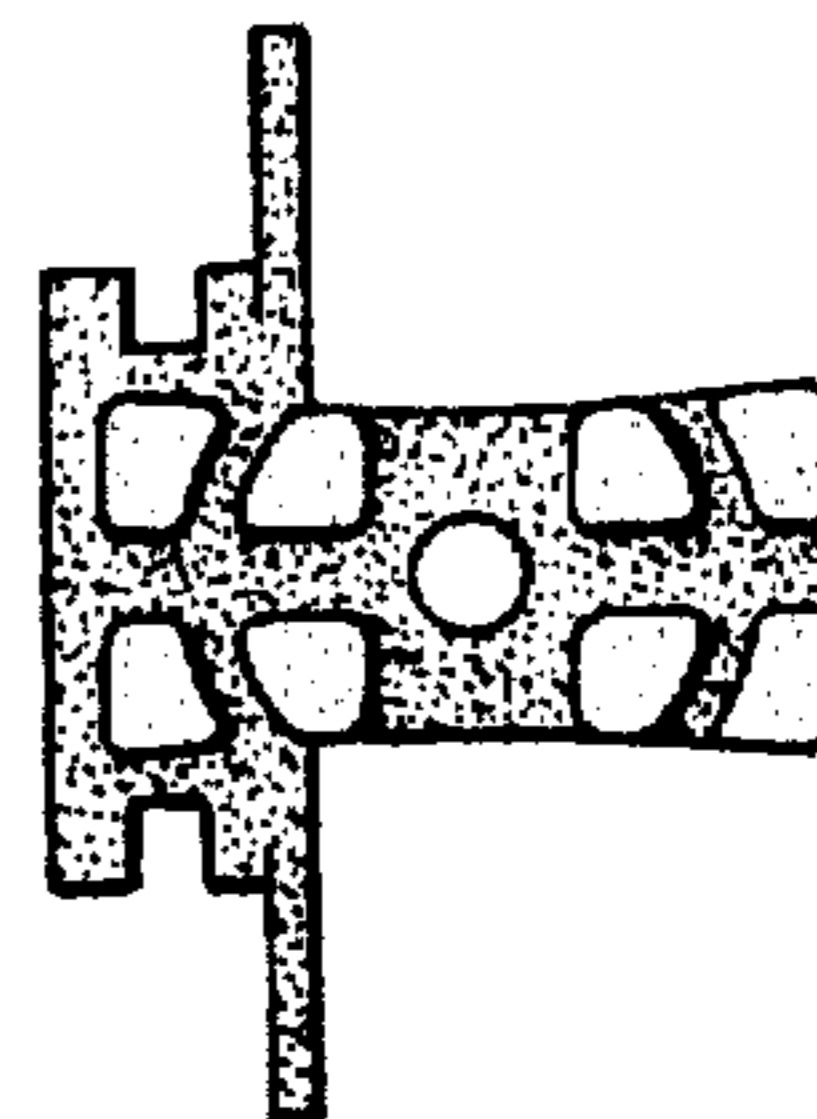


FIG. 14

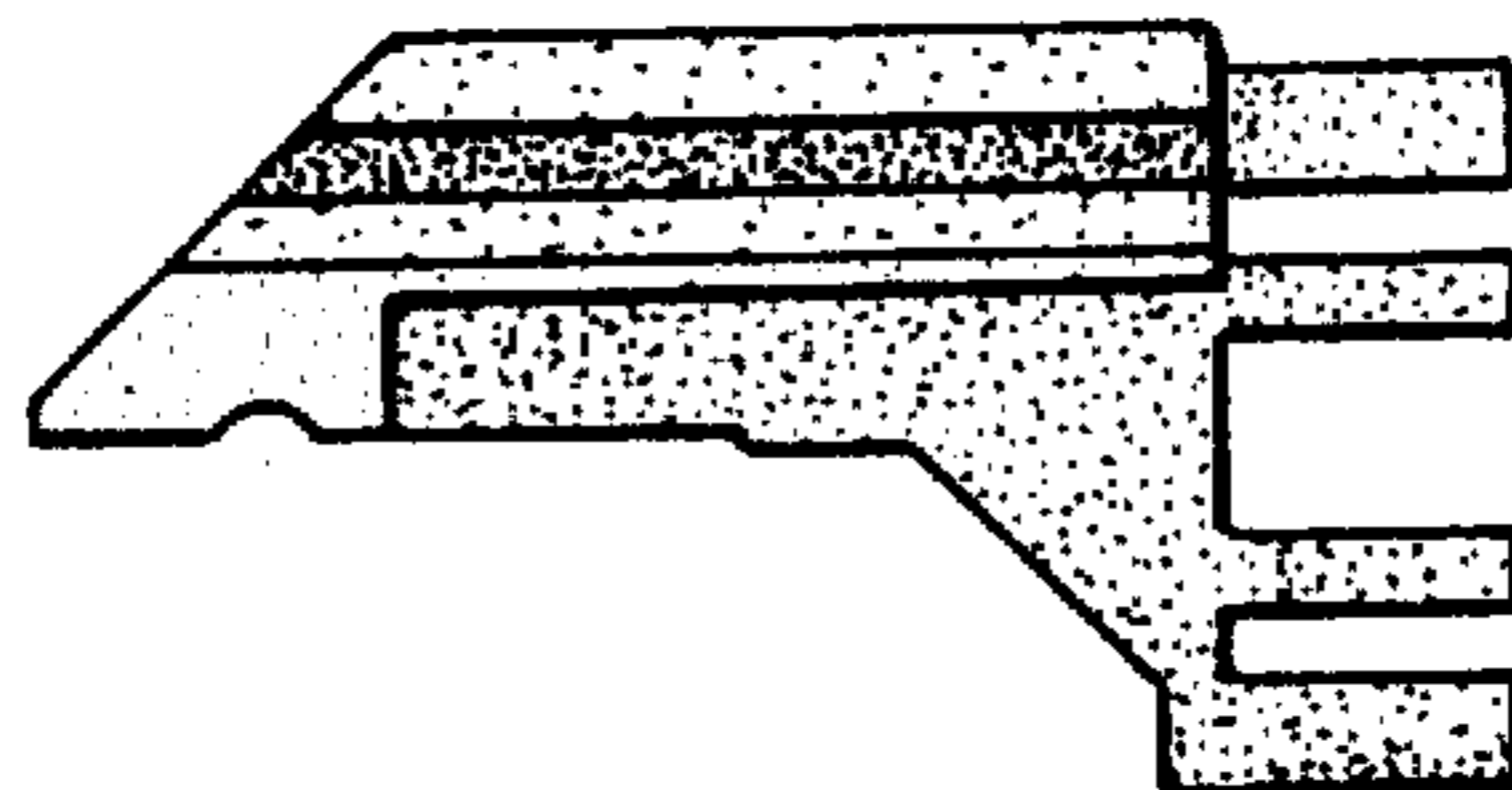


FIG. 11

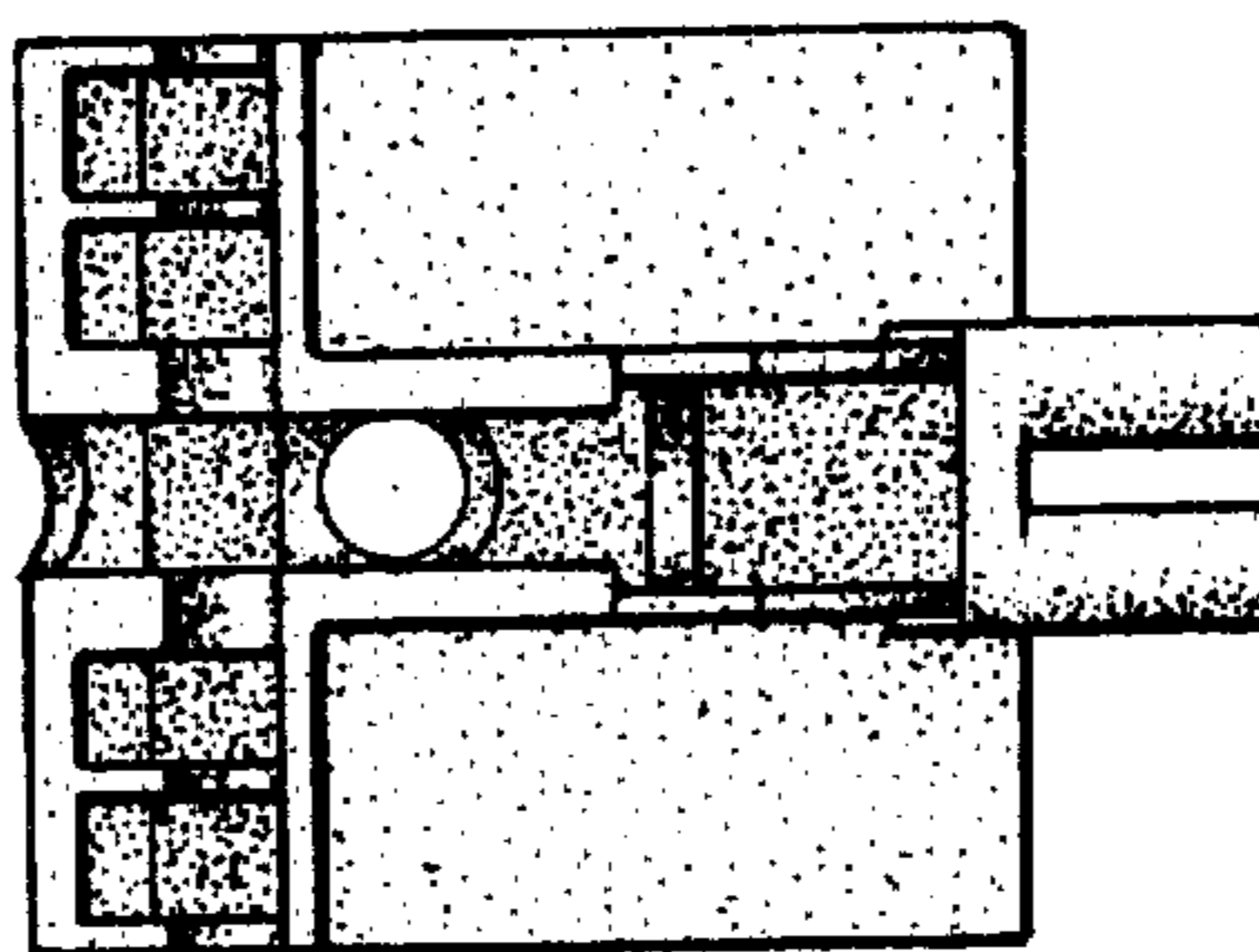


FIG. 12

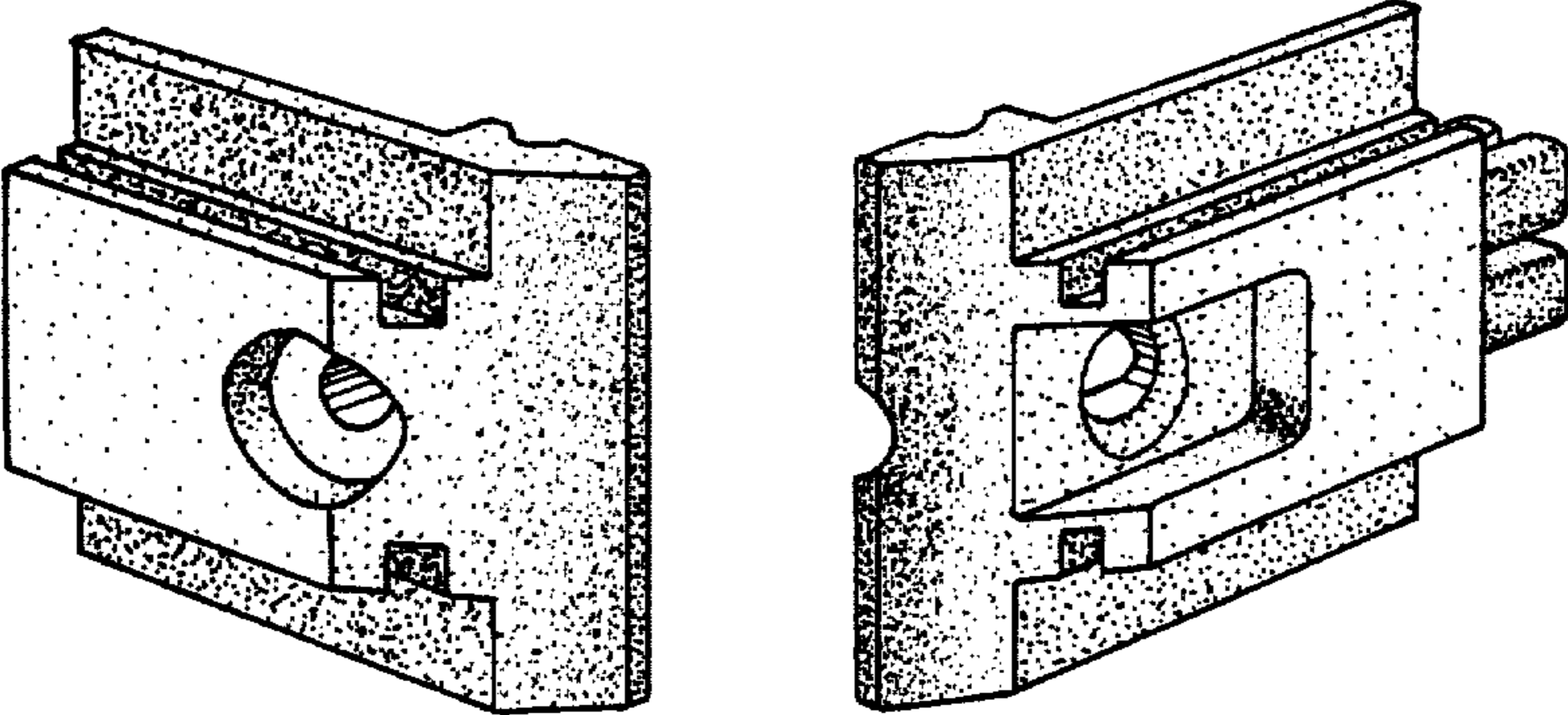


FIG. 15

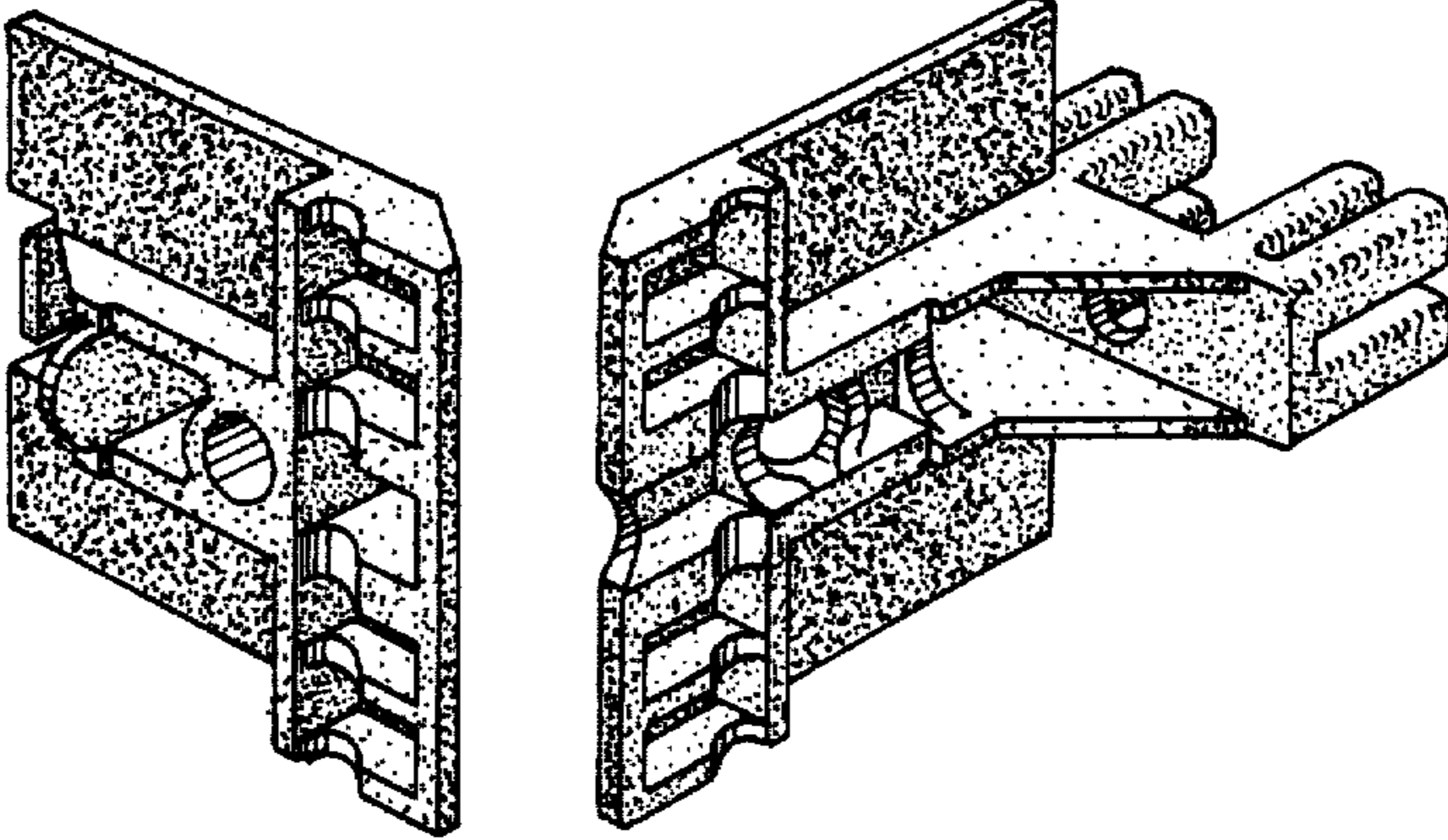


FIG. 16