

[54] HINGE

[76] Inventor: Arthur F. Scanlan, 93 Hall St., Semaphore, South Australia 5019, Australia

[**] Term: 14 Years

[21] Appl. No.: 279,566

[22] Filed: Jul. 1, 1981

[51] Int. Cl. D8-06

[52] U.S. Cl. D8/327

[58] Field of Search D8/323, 325, 327-329; 16/387, 389, 388, 391, DIG. 13

[56] References Cited

U.S. PATENT DOCUMENTS

- 600,161 3/1898 Moore 16/387
- 3,445,883 5/1969 Lowe 16/387

3,659,063 4/1972 Peterson D8/327

FOREIGN PATENT DOCUMENTS

993508 11/1951 France 16/387

OTHER PUBLICATIONS

Stanley Hinge Guide; 1956; p. 7, Hinge h (second from top).

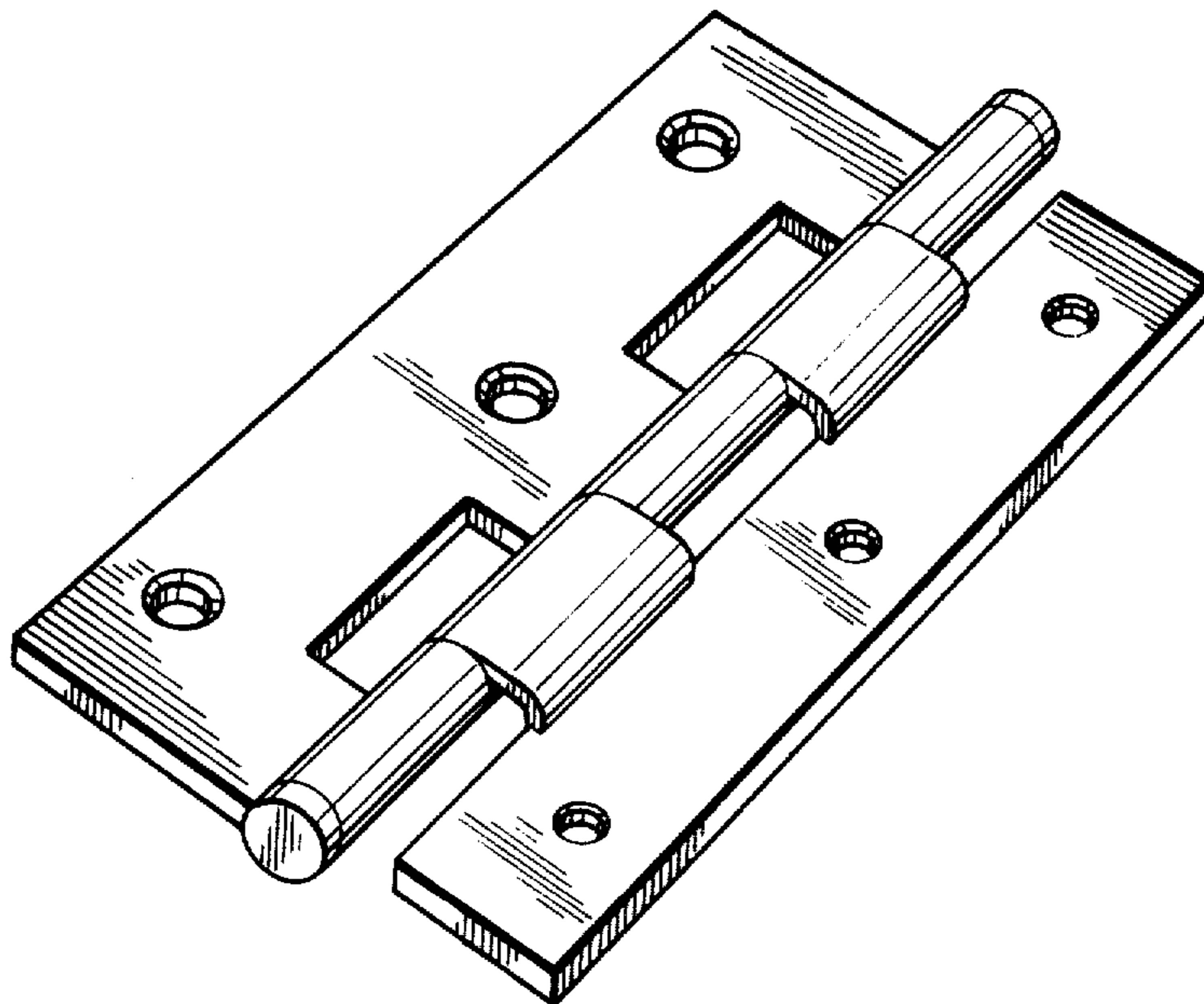
Primary Examiner—B. J. Bullock
Attorney, Agent, or Firm—Pearne, Gordon, Sessions, McCoy, Granger & Tilberry

[57] CLAIM

The ornamental design for a hinge, substantially as shown and described.

DESCRIPTION

FIG. 1 is a front perspective view of a hinge showing my new design;
FIG. 2 is a rear perspective view thereof.



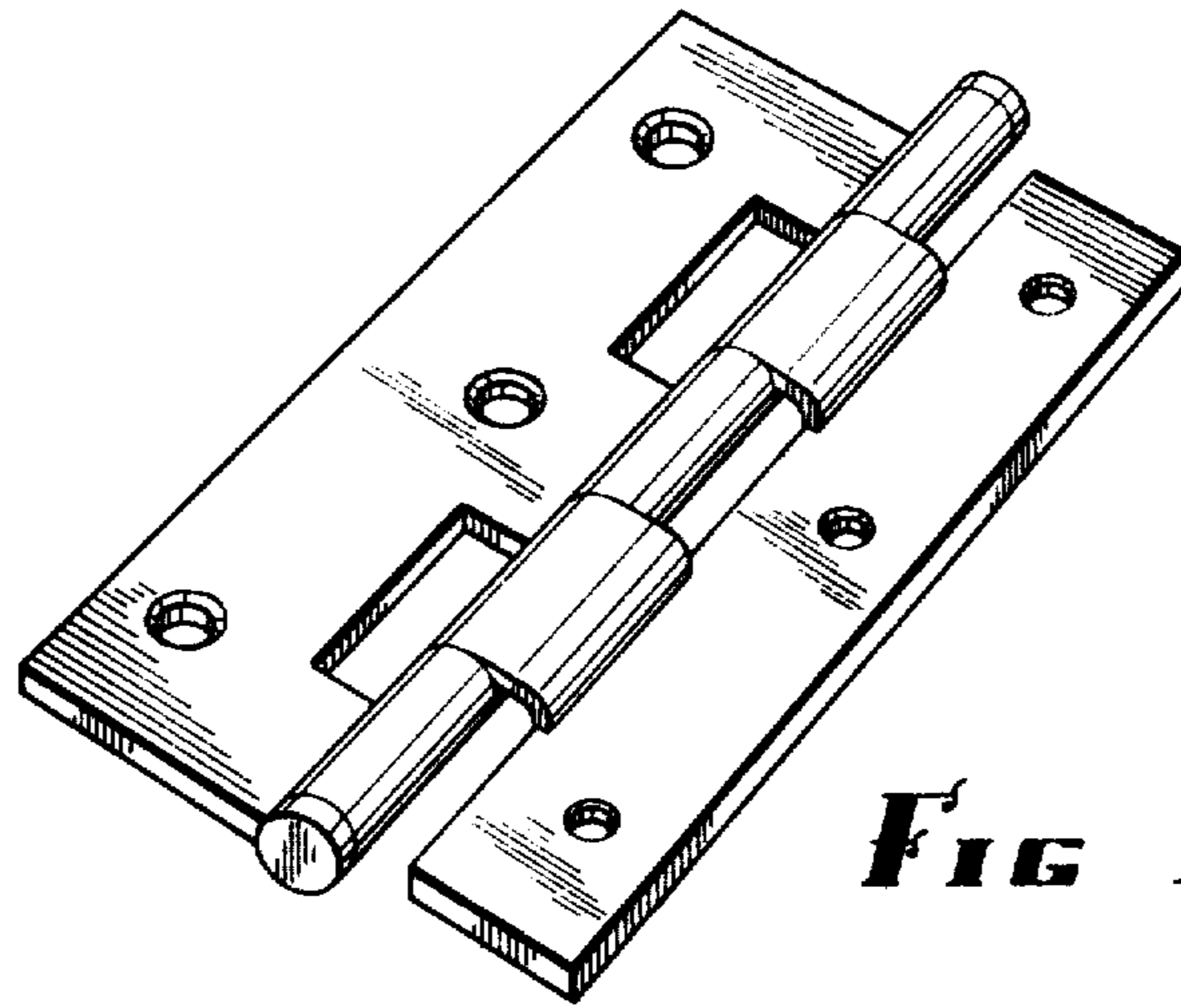


FIG 1

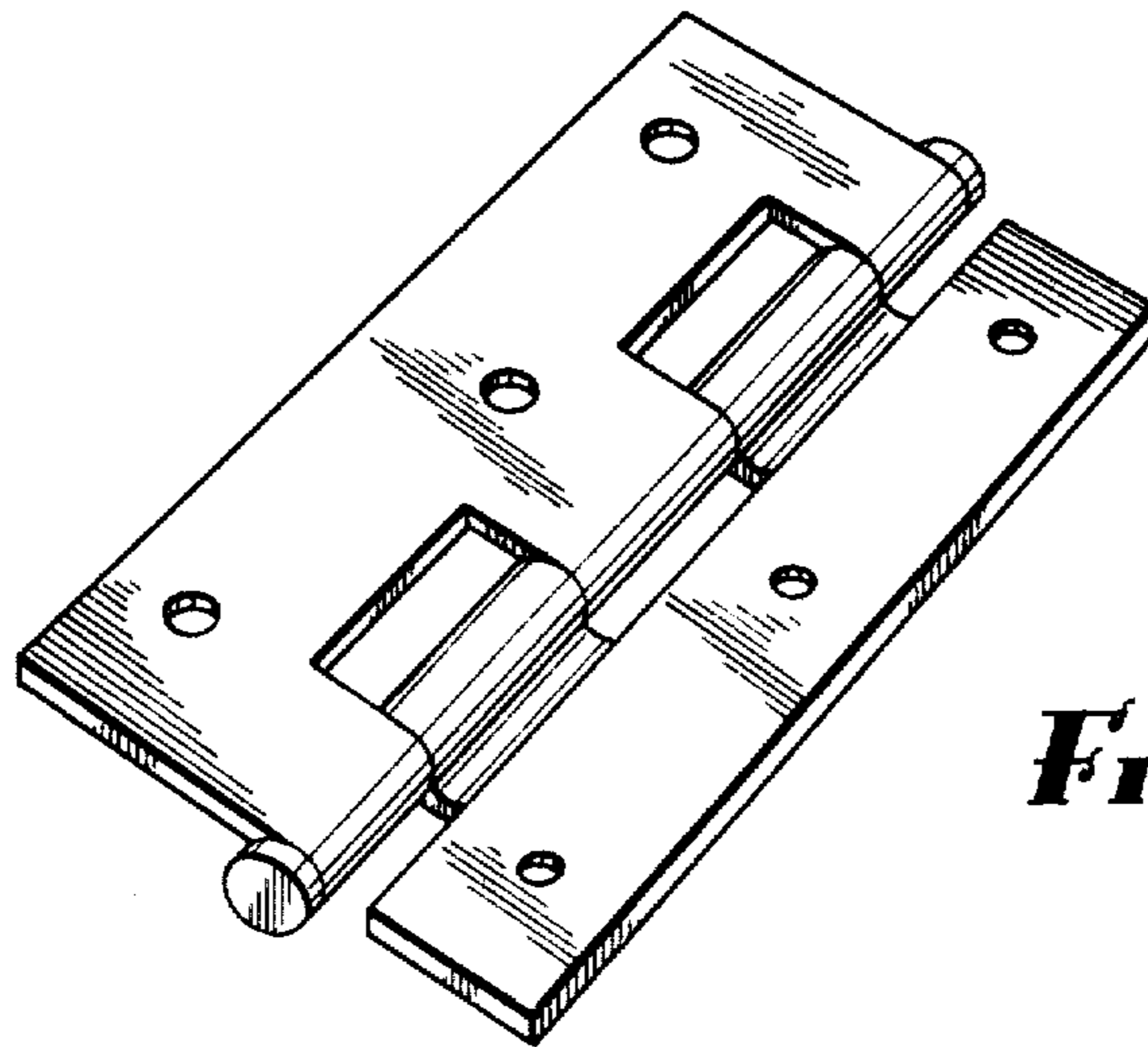


FIG 2