

[54] DEEP FRYER

[75] Inventor: Bernard Beugnot, Is sur Tille, France

[73] Assignee: SEB, Selongey, France

[**] Term: 14 Years

[21] Appl. No.: 263,022

[22] Filed: May 12, 1981

[30] Foreign Application Priority Data

Nov. 19, 1980 [FR] France 803579

[51] Int. Cl. D07-02

[52] U.S. Cl. D7/360

[58] Field of Search D7/85, 129, 94, 96,
D7/97, 360; D15/92, 104

[56] References Cited

U.S. PATENT DOCUMENTS

D. 170,575 10/1953 Jepson D7/94

D. 174,721	5/1955	Steinbook	D7/94
D. 178,264	7/1956	Rossall	D7/94
D. 216,323	12/1969	Lescure	D7/94
3,801,331	4/1974	Sano et al.	D7/85 X
4,013,869	3/1977	Orts	D7/94 X

Primary Examiner—Winifred E. Herrmann
Attorney, Agent, or Firm—Young & Thompson

[57] CLAIM

The ornamental design for a deep fryer, as shown.

DESCRIPTION

FIG. 1 is a front elevational view of a deep fryer, showing my new design,

FIG. 2 is a rear elevational view thereof,

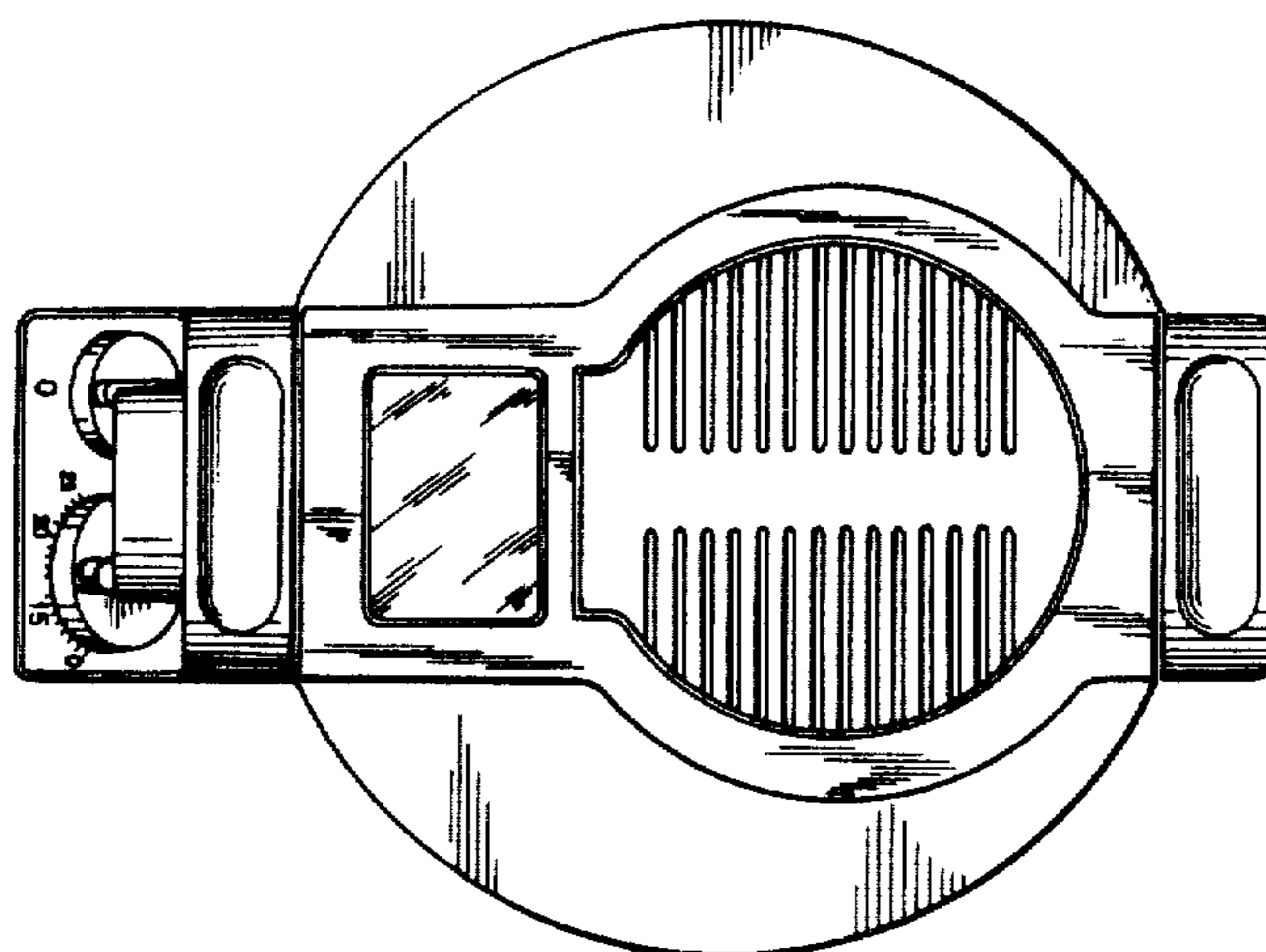
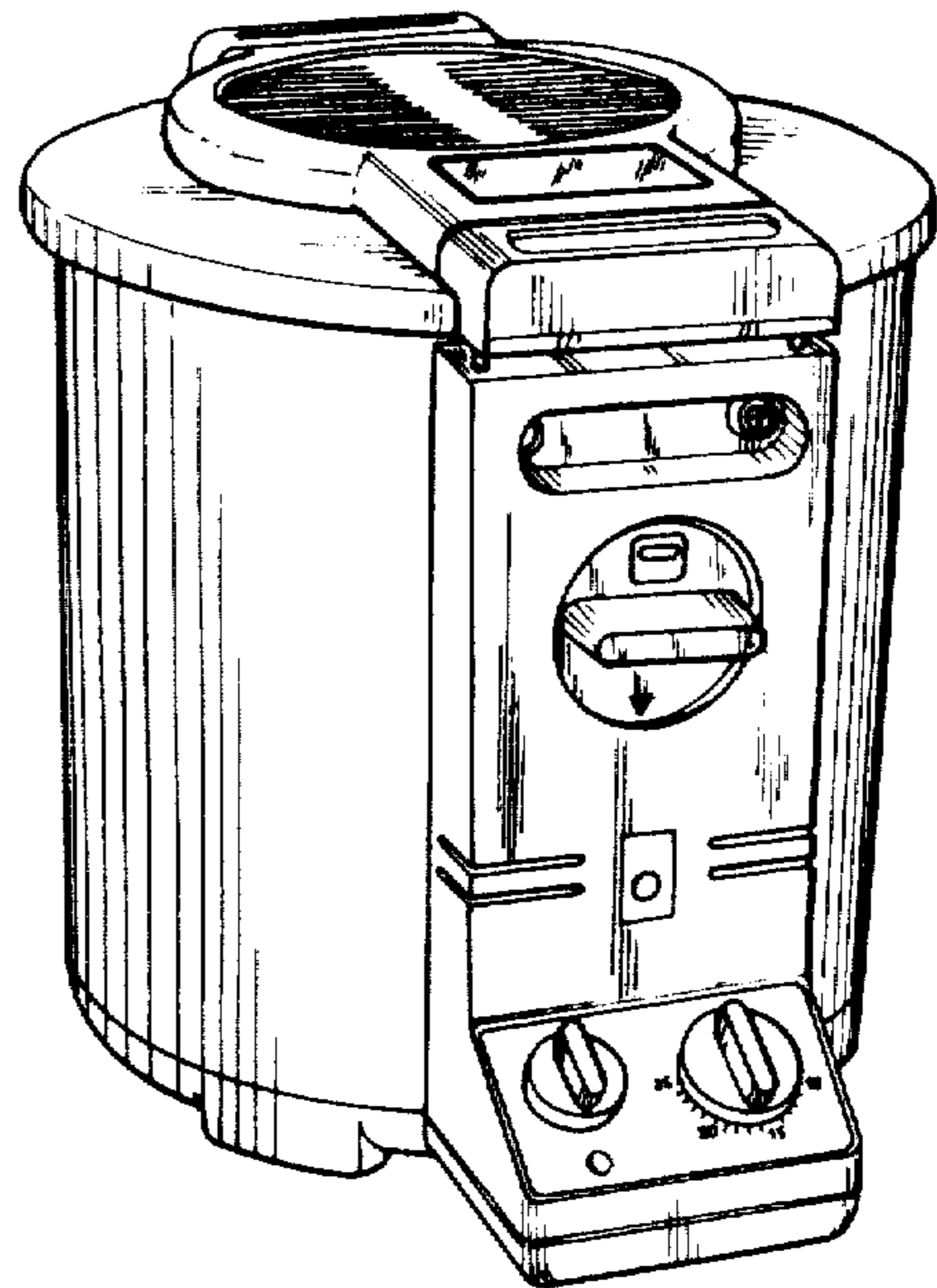
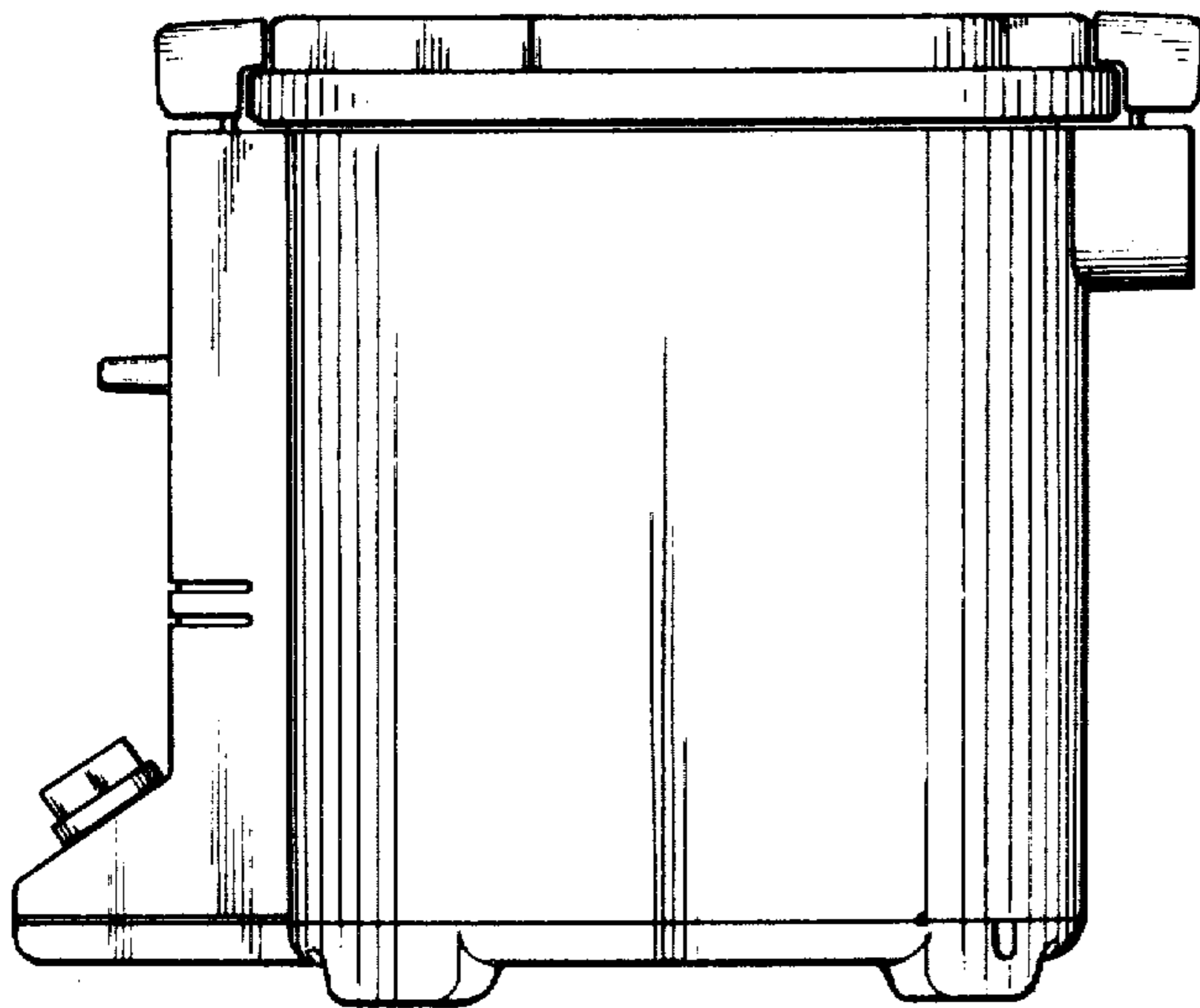
FIG. 3 is a side elevational view thereof,

FIG. 4 is a side elevational view thereof, opposite FIG. 3,

FIG. 5 is a top plan view thereof,

FIG. 6 is a bottom plan view thereof,

FIG. 7 is a three quarter perspective view thereof.



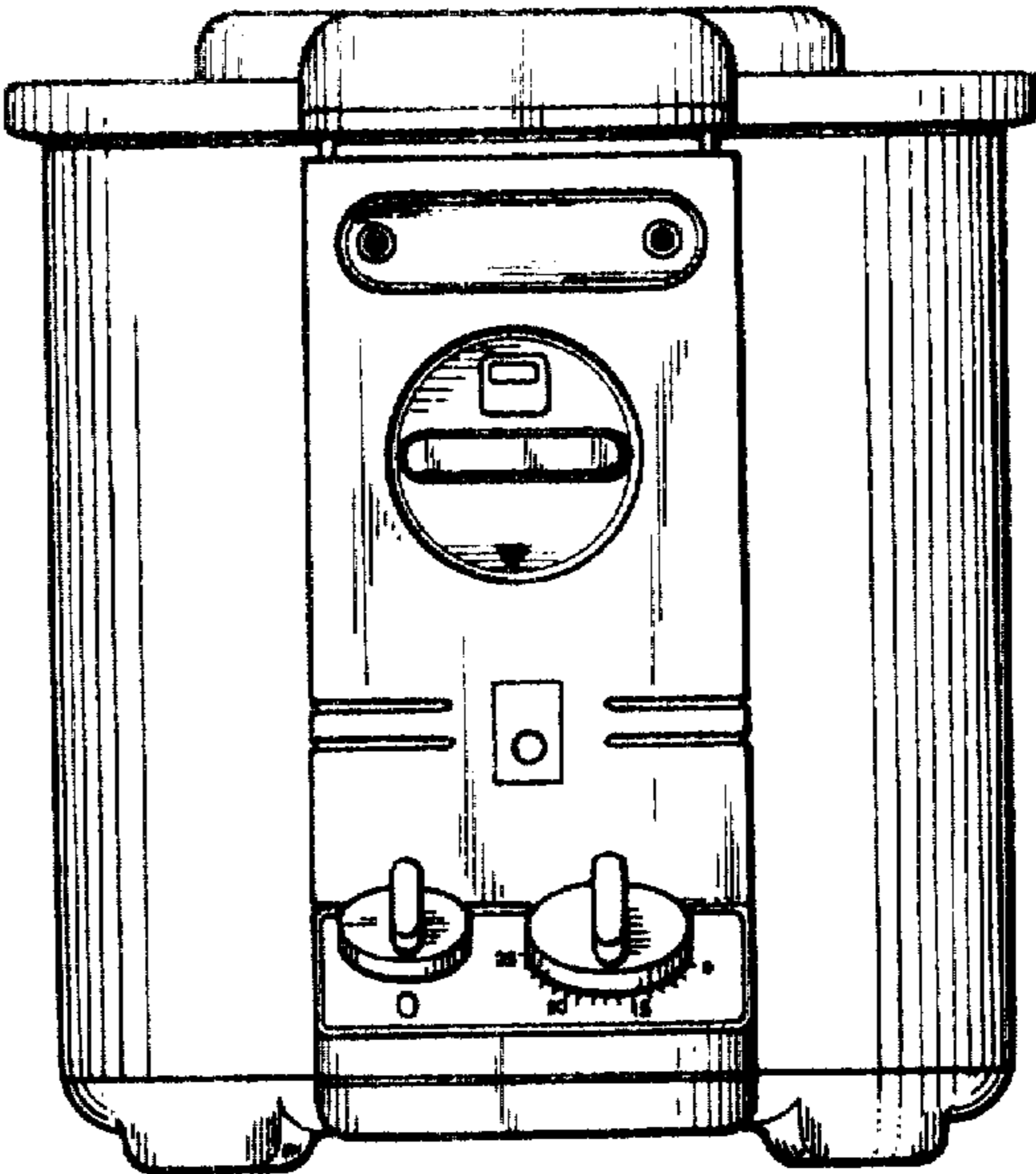


FIG. 1

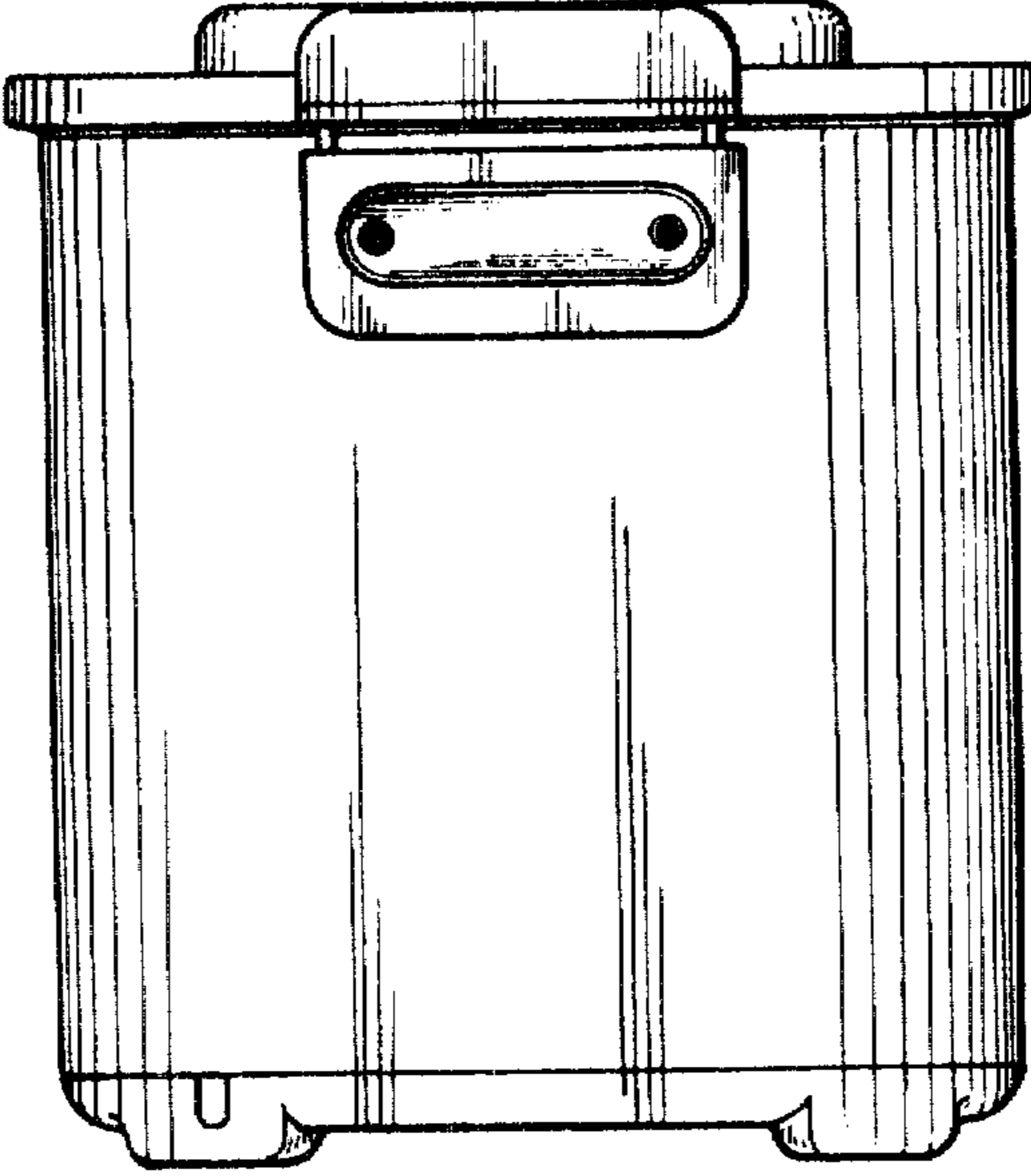
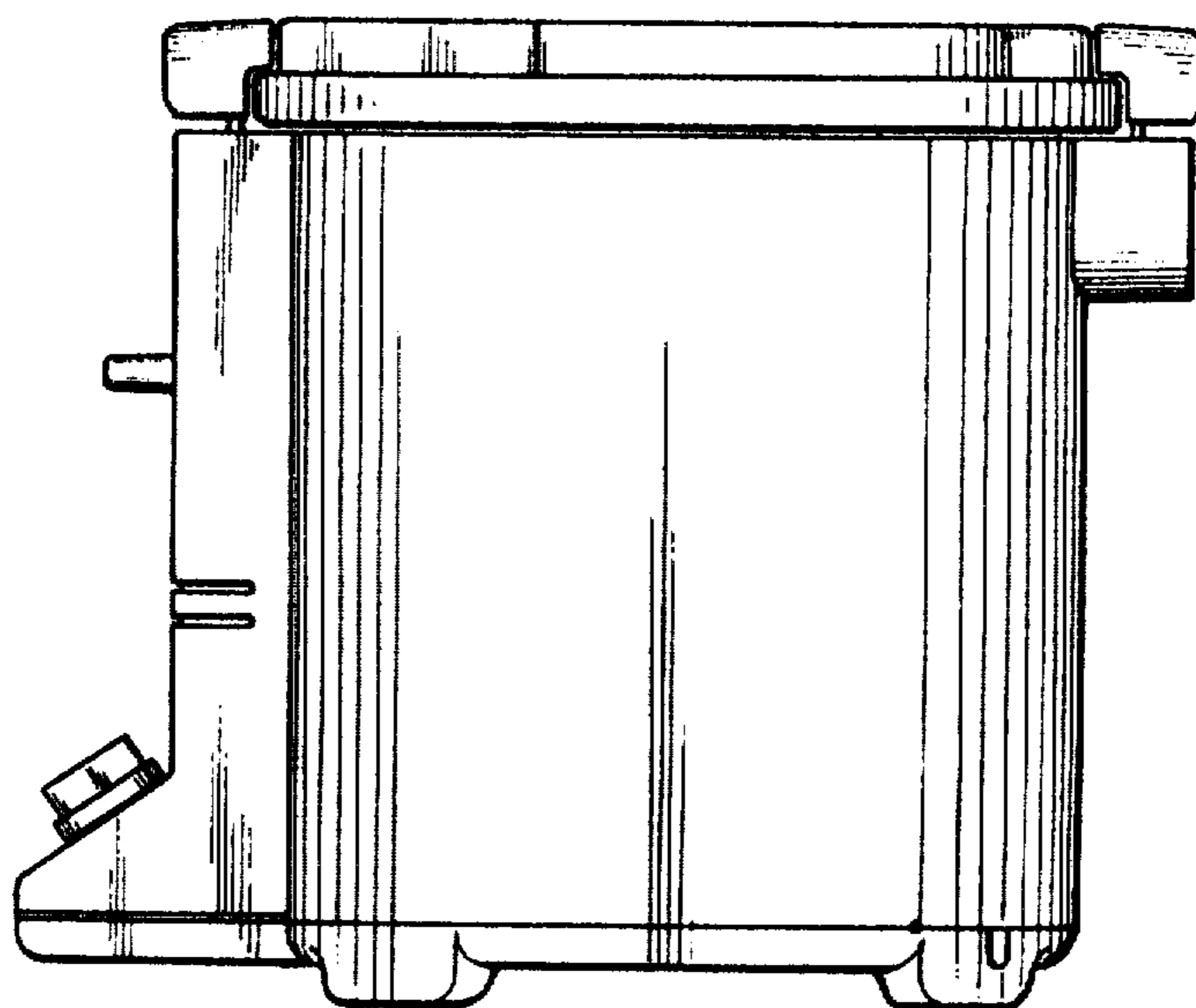
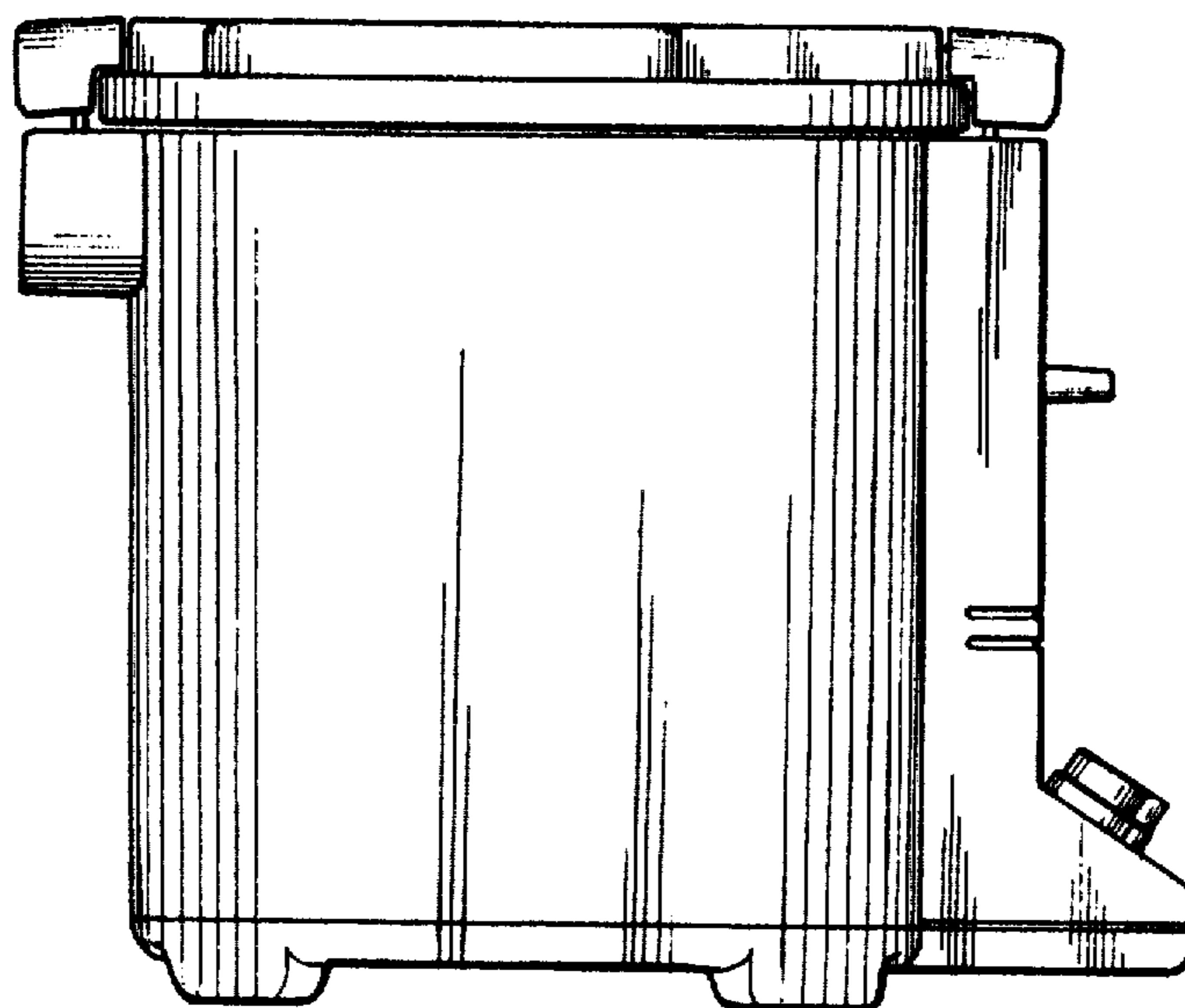


FIG. 2



FIG_3



FIG_4

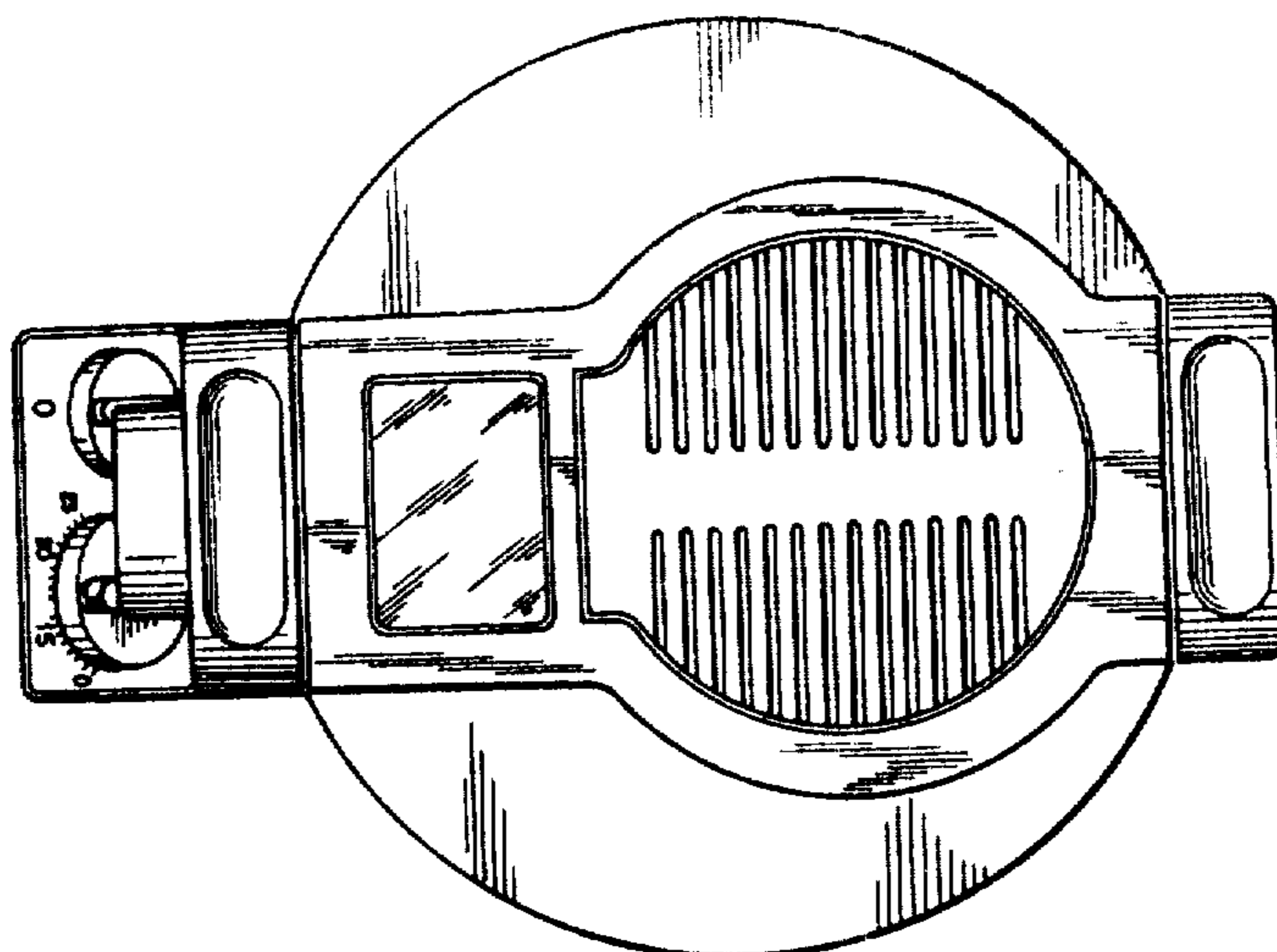


FIG. 5

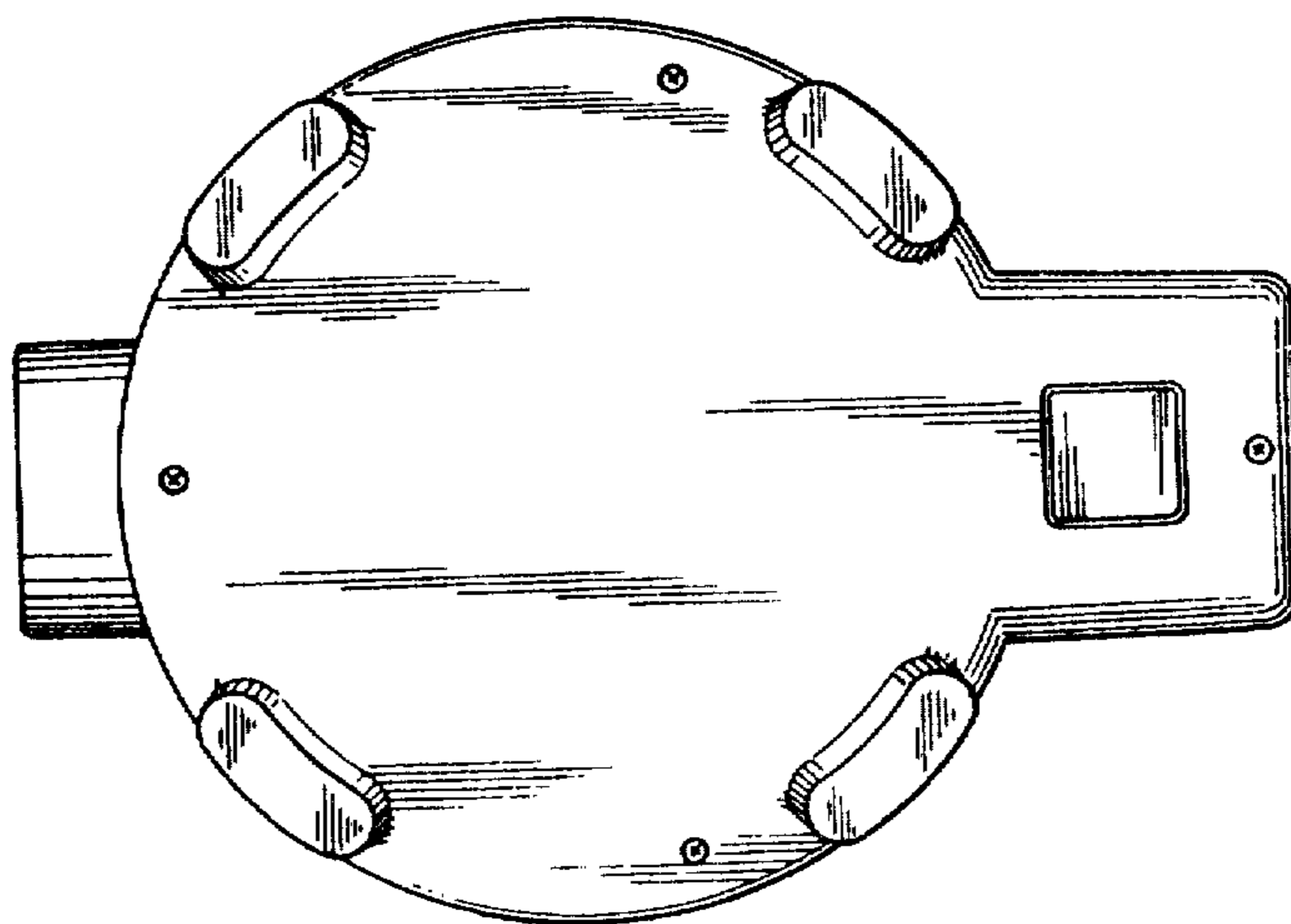


FIG. 6

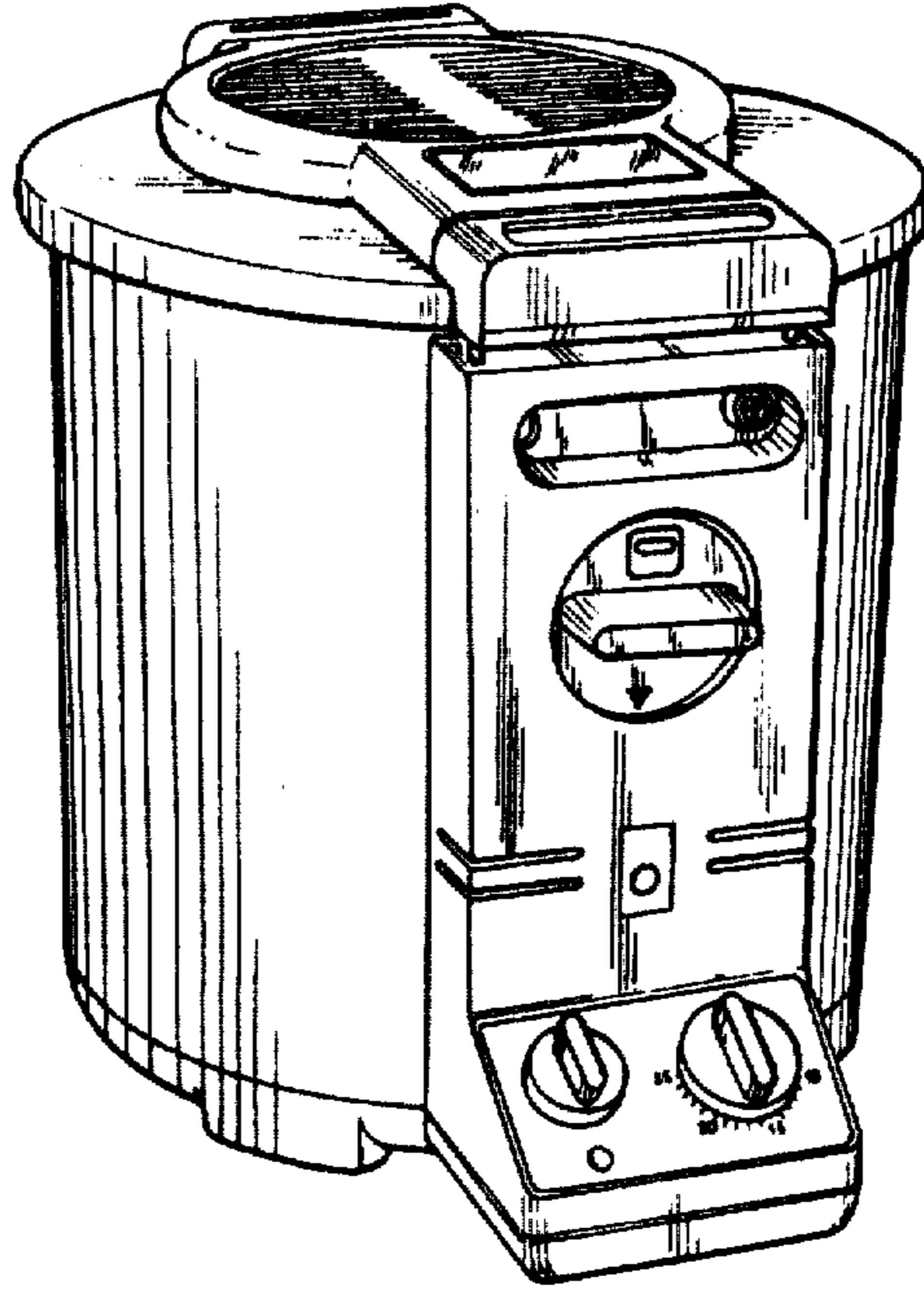


FIG. 7