

[54] WALL MOUNTABLE DRAWING IMPLEMENT HOLDER

D. 248,433 7/1978 McCollum D8/396
D. 259,321 5/1981 Sparger D6/125

[76] Inventor: Tim Basaldua, Jr., 1911 W. Wabansia Ave., Chicago, Ill. 60622

Primary Examiner—George P. Word
Attorney, Agent, or Firm—Burmeister, York, Palmatier, Hamby & Jones

[**] Term: 14 Years

[21] Appl. No.: 273,659

[57] CLAIM

[22] Filed: Jun. 15, 1981

The ornamental design for a wall mountable drawing implement holder, as shown and described.

[51] Int. Cl. D6—99

DESCRIPTION

[52] U.S. Cl. D6/125; D7/74

[58] Field of Search D19/35, 36, 75, 77-85, D19/90; D6/140, 125, 88, 114; 211/69, 69.1, 60 R, 60 G, 87-88; D7/74

FIG. 1 is a perspective view of a wall mountable drawing implement holder showing my new design, the dotted line disclosure being for illustrative purposes only and not a part of the design;

[56] References Cited

U.S. PATENT DOCUMENTS

- D. 163,685 6/1951 Foster D19/85
- D. 178,993 10/1956 Georgan D7/74
- D. 241,392 9/1976 Taylor D6/114

FIG. 2 is a reduced scale front elevational view thereof;

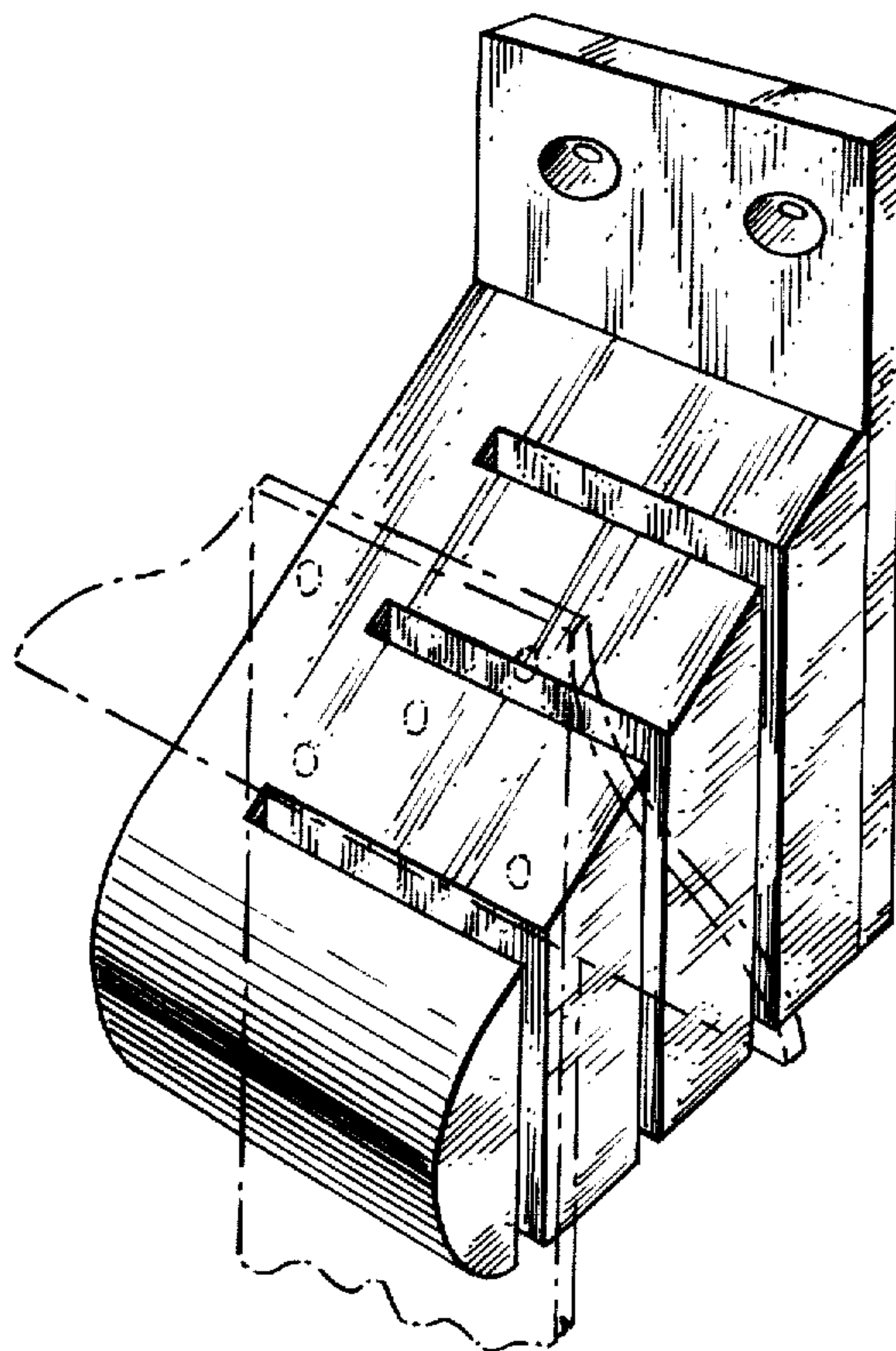
FIG. 3 is a top plan view thereof;

FIG. 4 is a bottom plan view thereof;

FIG. 5 is a right side elevational view thereof;

FIG. 6 is a left side elevational view thereof; and

FIG. 7 is a rear elevational view thereof.



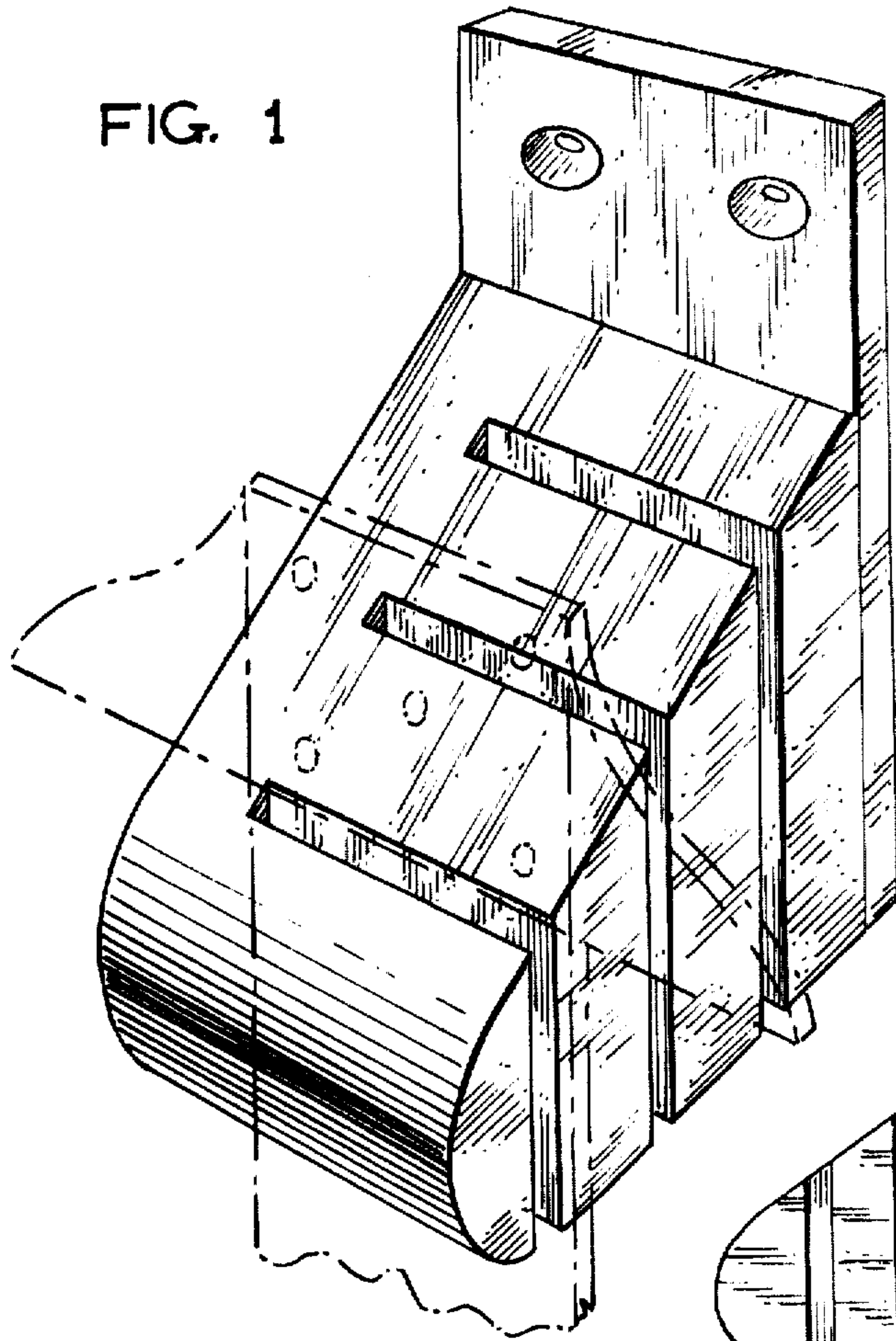


FIG. 1

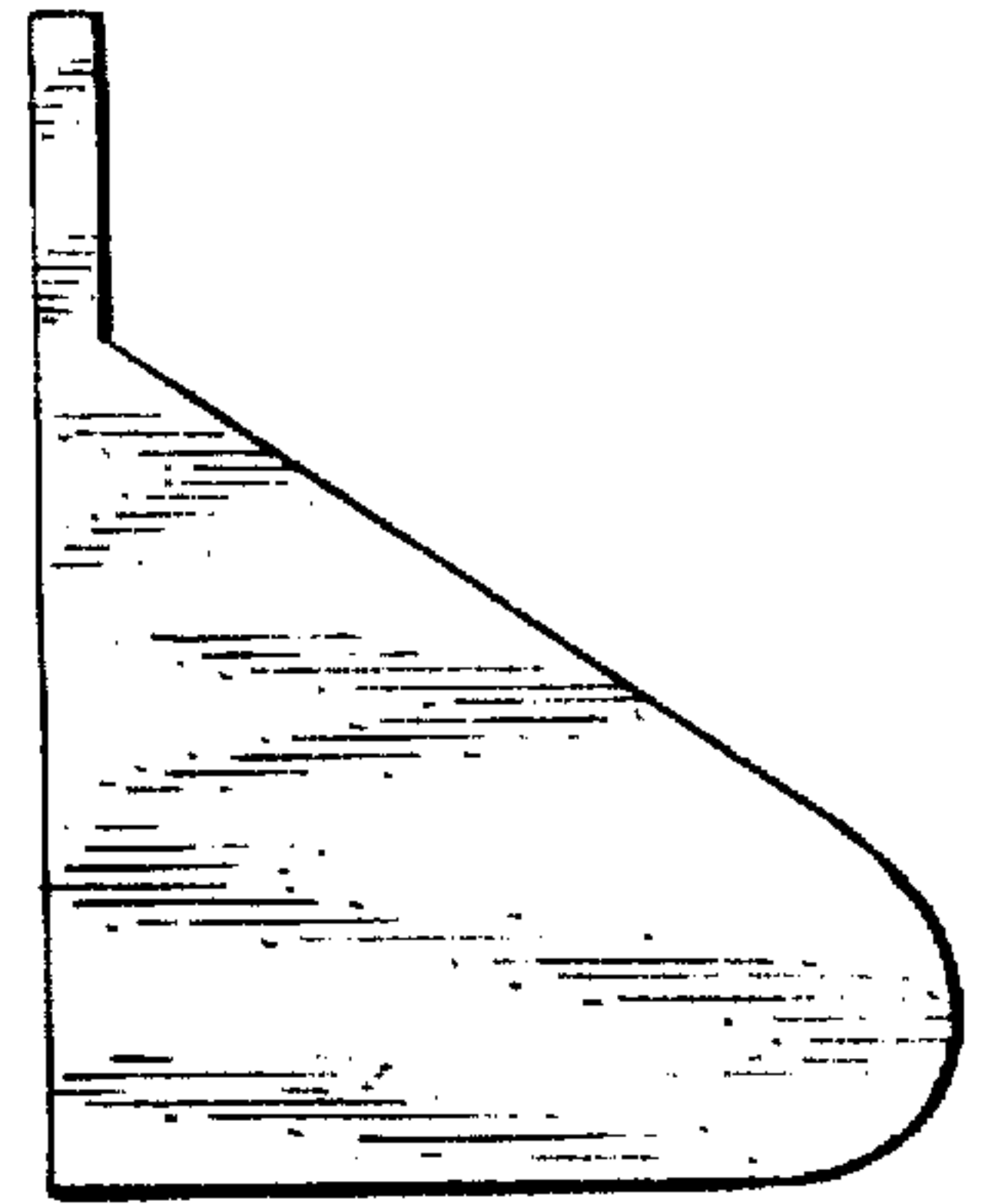


FIG. 6

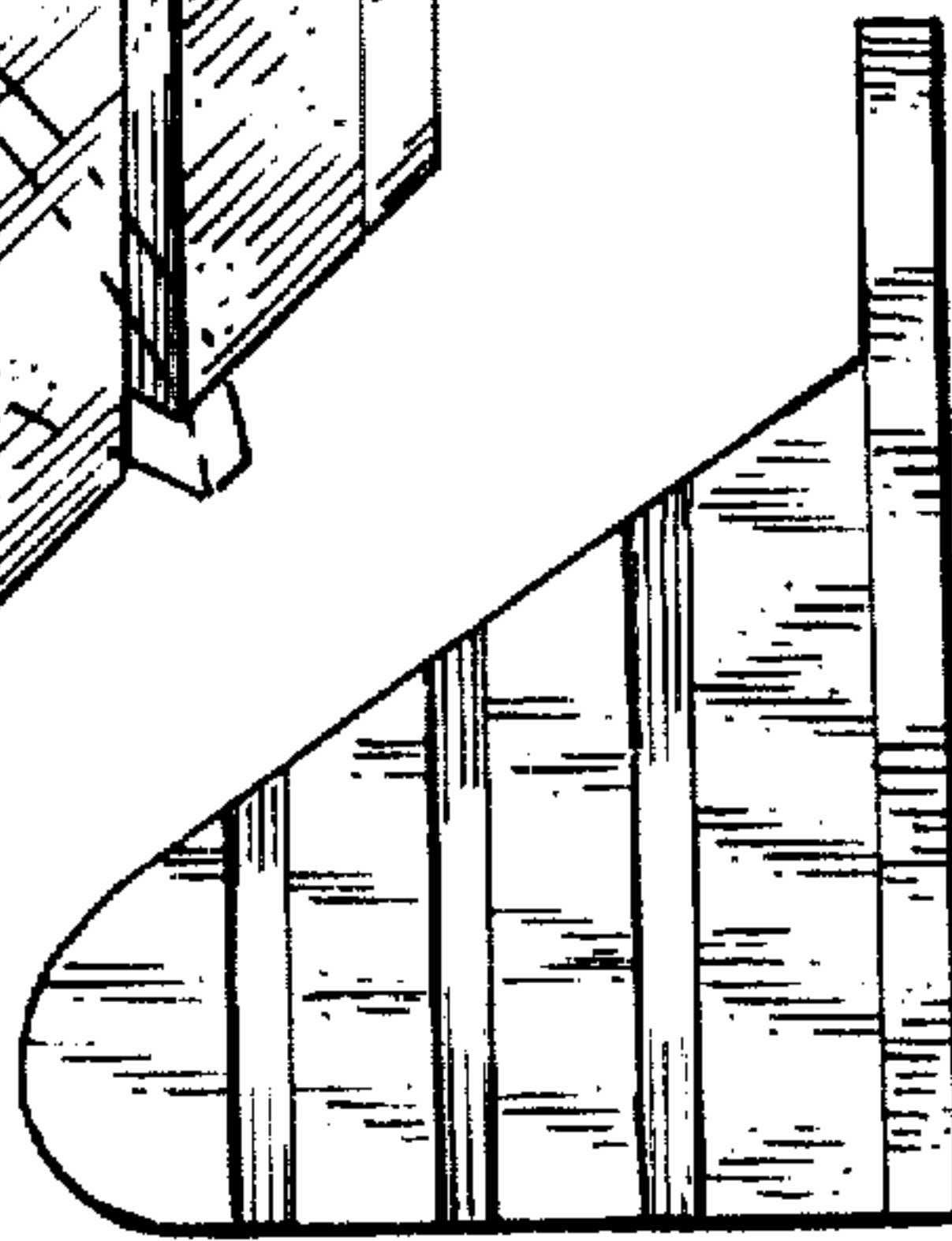


FIG. 5

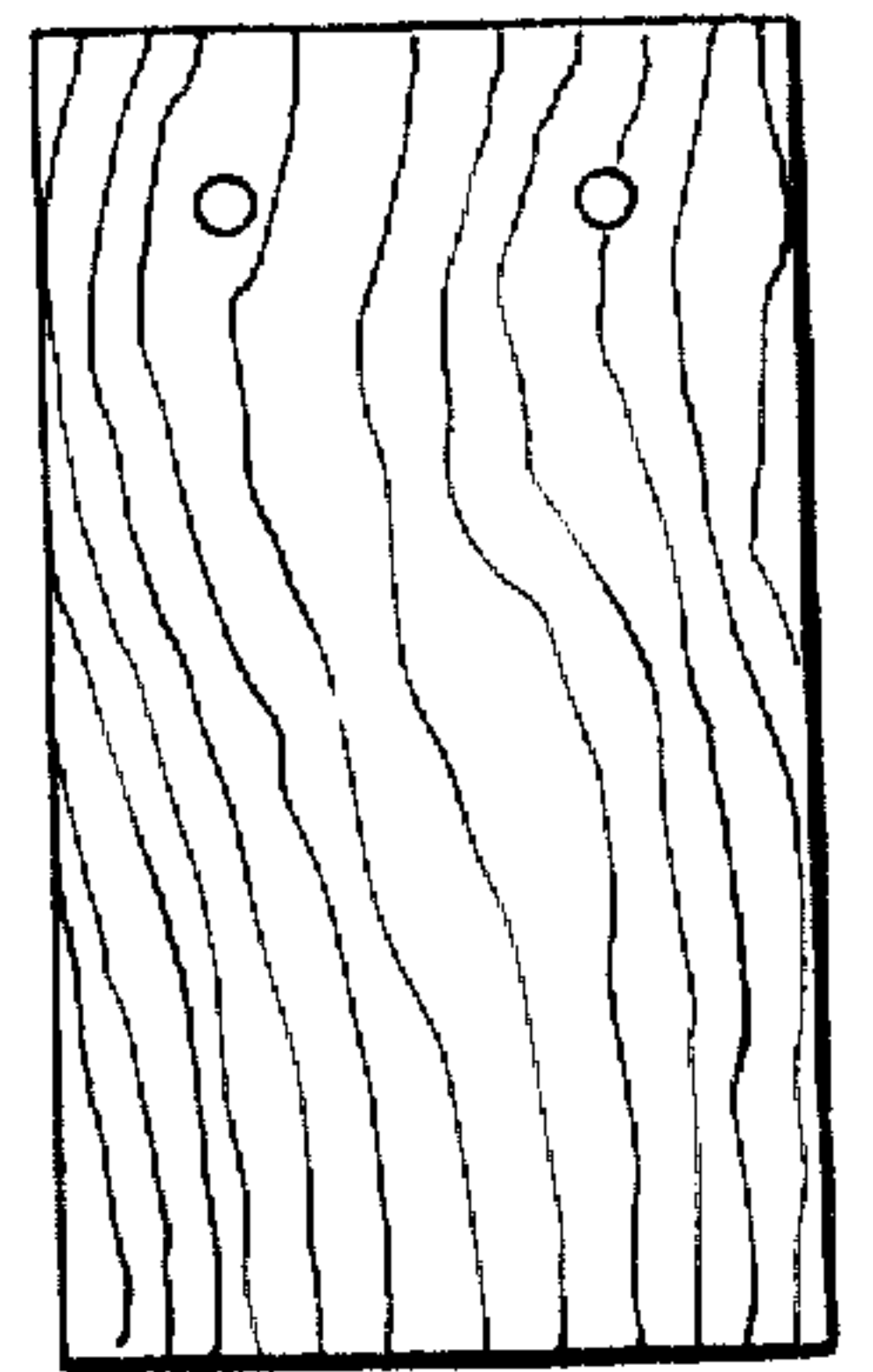


FIG. 7

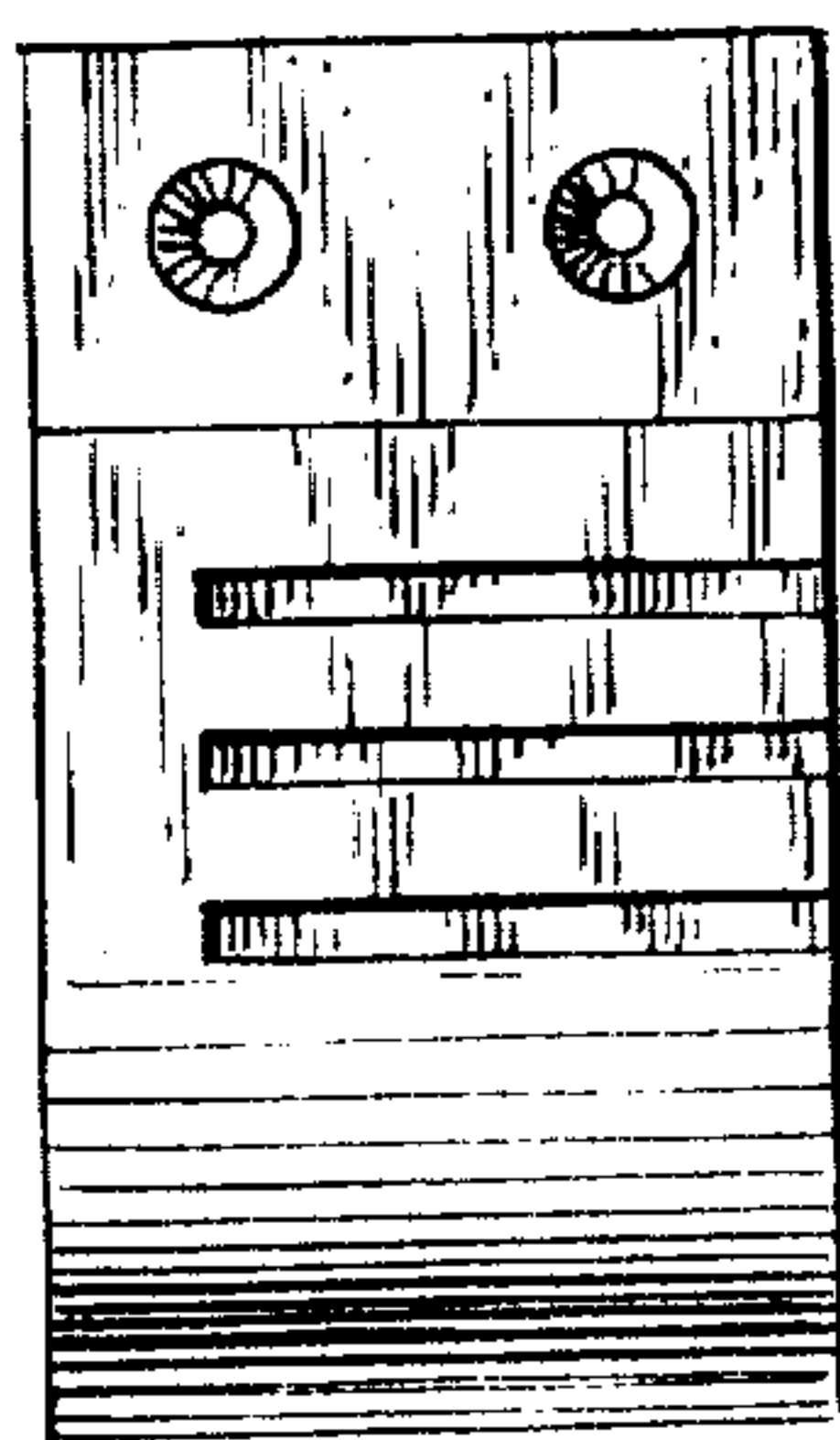


FIG. 2

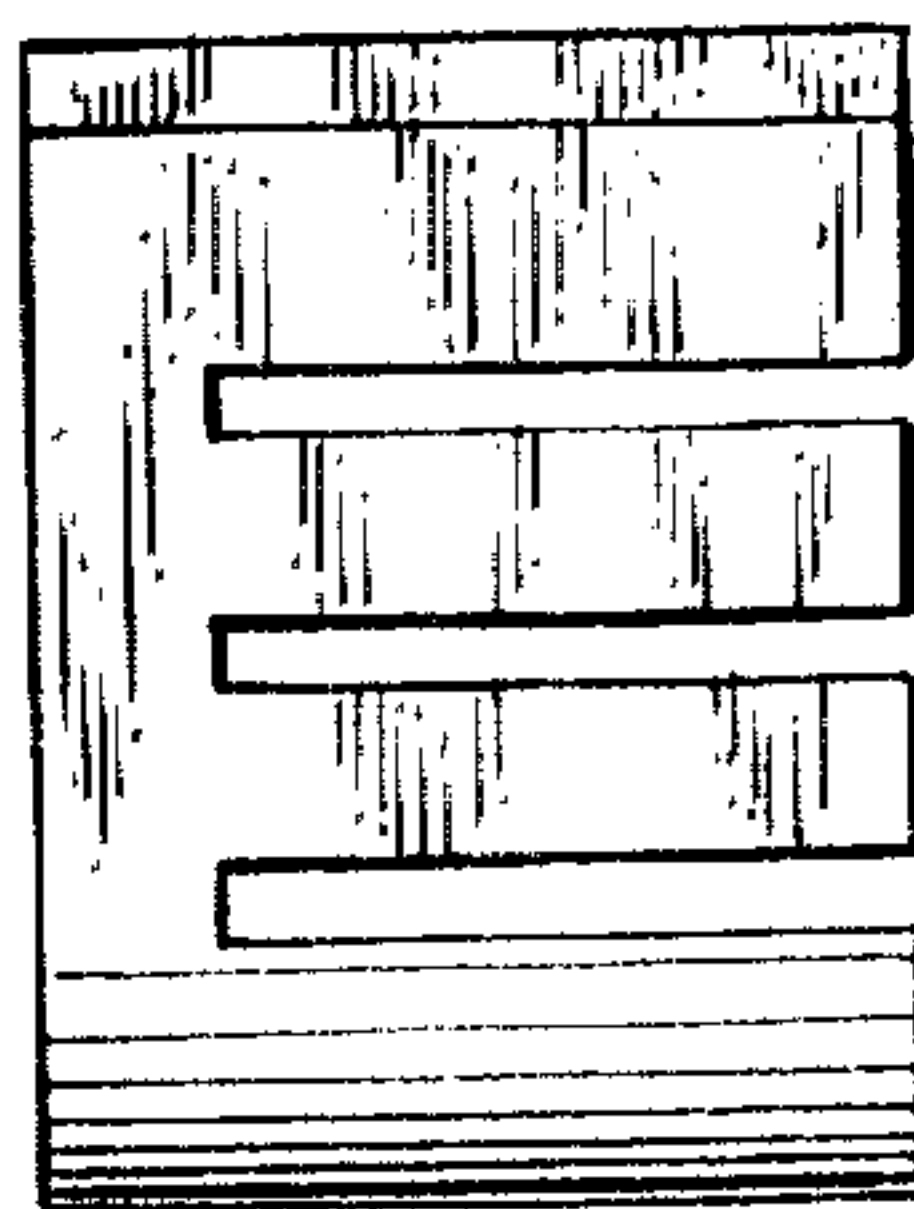


FIG. 3

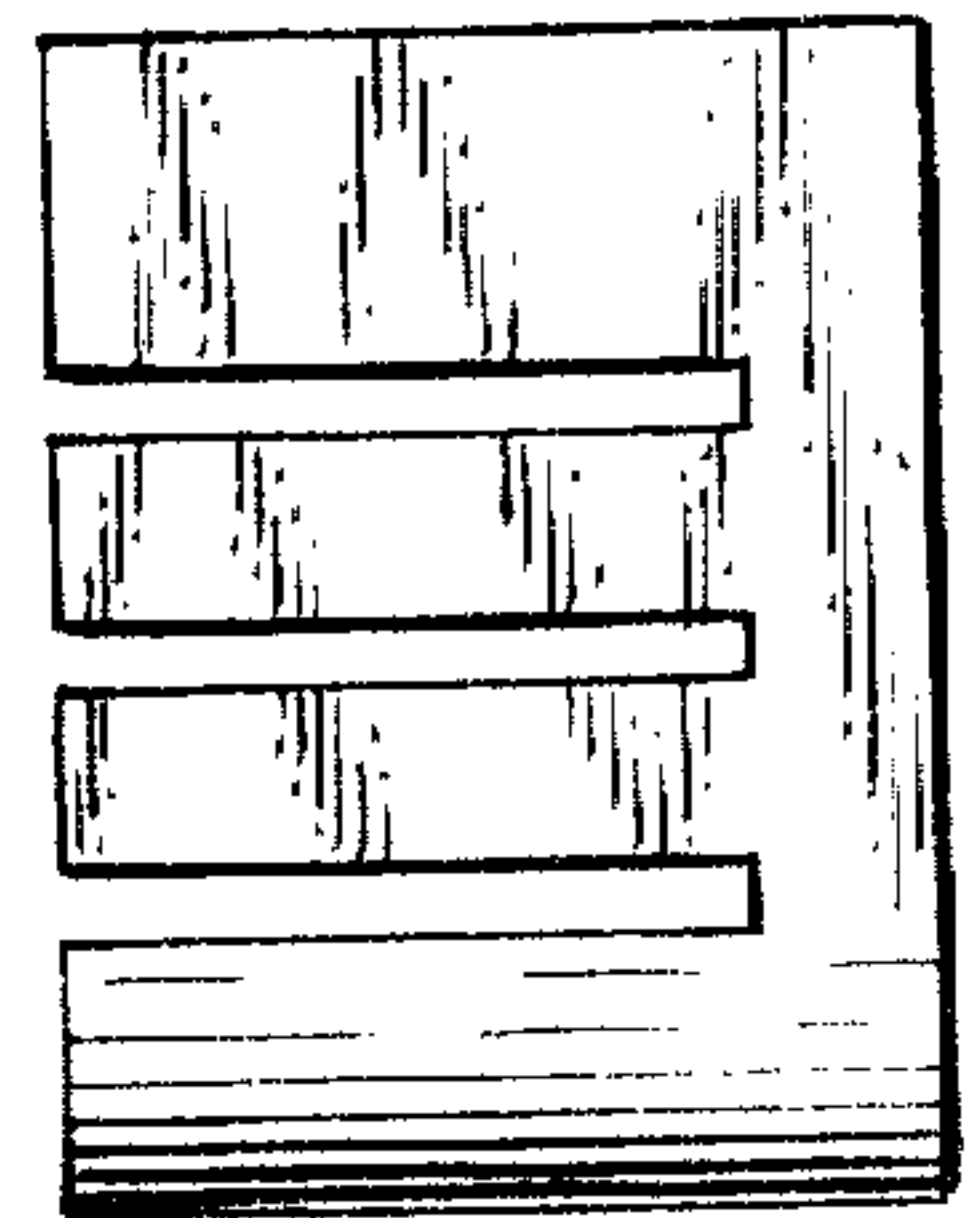


FIG. 4