

[54] **DISPENSER FOR PLASTIC FILM MATERIAL AND THE LIKE**

[75] Inventor: **Stanley Ruff**, New Rochelle, N.Y.

[73] Assignee: **RGG, Inc.**, Boston, Mass.

[**] Term: **14 Years**

[21] Appl. No.: **272,298**

[22] Filed: **Jun. 10, 1981**

[51] Int. Cl. **D23-02**

[52] U.S. Cl. **D6/96**

[58] Field of Search **D6/96, 97, 98, 99, 127; 242/55.2, 55.3, 55.42, 55.53, 55.54, 56 B, 56 R; 312/38, 39**

D. 208,102 7/1967 Brandon D6/96

2,096,107 10/1937 Haggerty 312/39

2,322,456 6/1943 Krueger 242/55.53

2,550,209 4/1951 Tuttle 242/55.3

2,864,493 12/1958 Holcombe 242/55.53

Primary Examiner—Wallace R. Burke
Assistant Examiner—Suzanne N. Gitlin
Attorney, Agent, or Firm—Cesari and McKenna

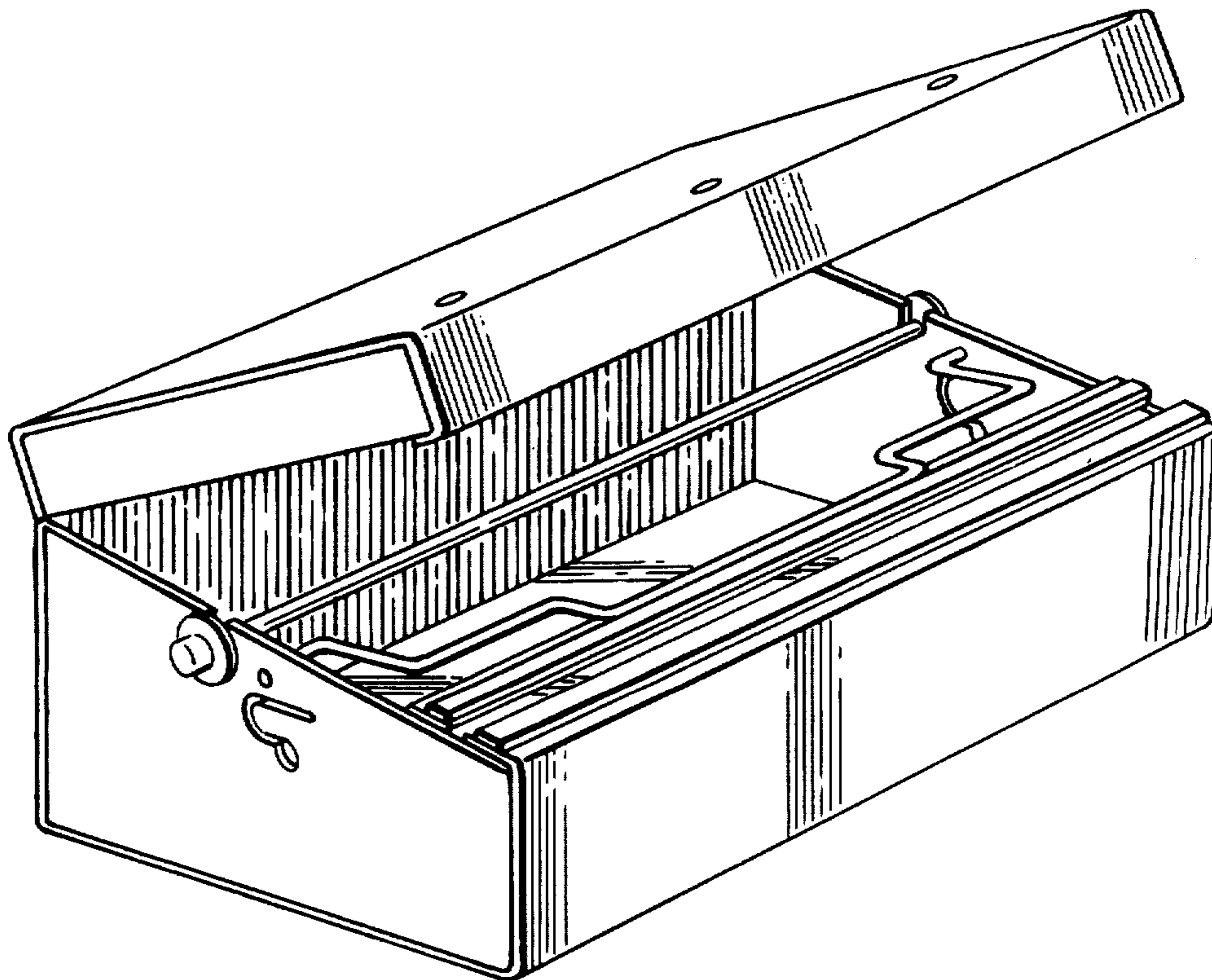
[57] **CLAIM**

The ornamental design for a dispenser for plastic film material and the like, substantially as shown.

DESCRIPTION

FIG. 1 is a perspective view of a dispenser for plastic film material and the like embodying my new design; FIG. 2 is an end view thereof; FIG. 3 is a rear view thereof; FIG. 4 is a top view thereof; and FIG. 5 is a front view thereof.

[56] **References Cited**
U.S. PATENT DOCUMENTS
 D. 207,020 2/1967 Bartleson D6/96



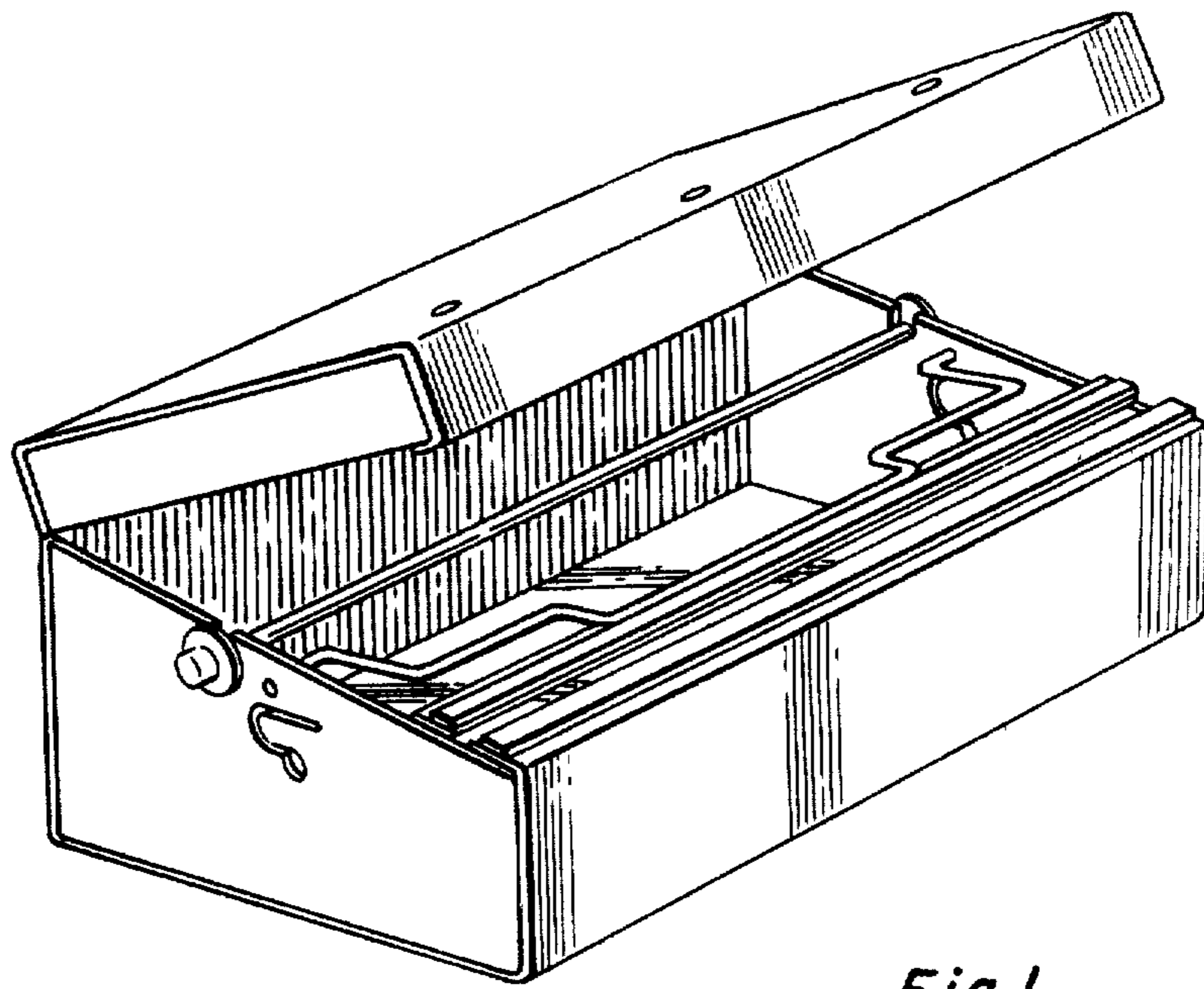


Fig. 1

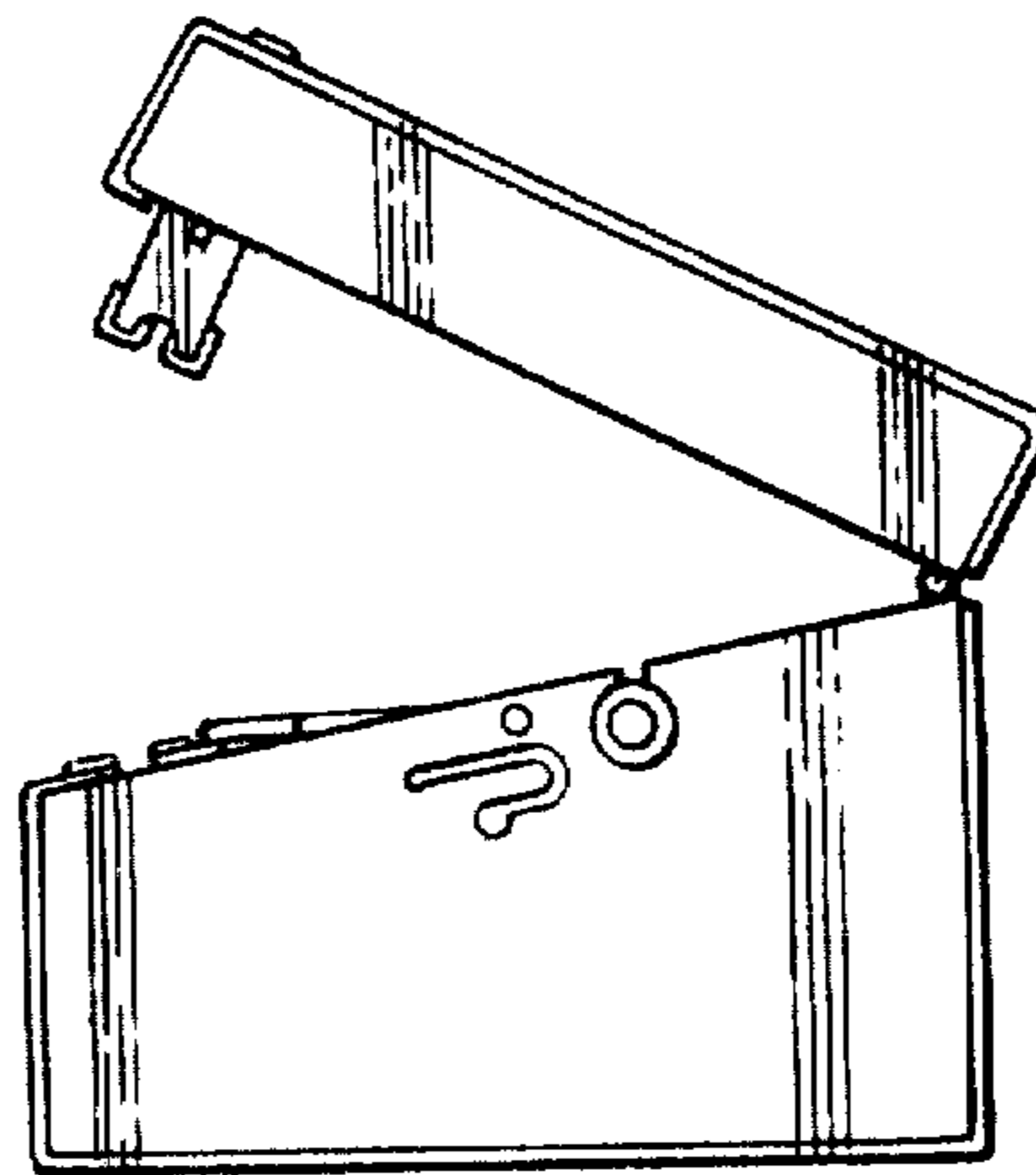


Fig. 2

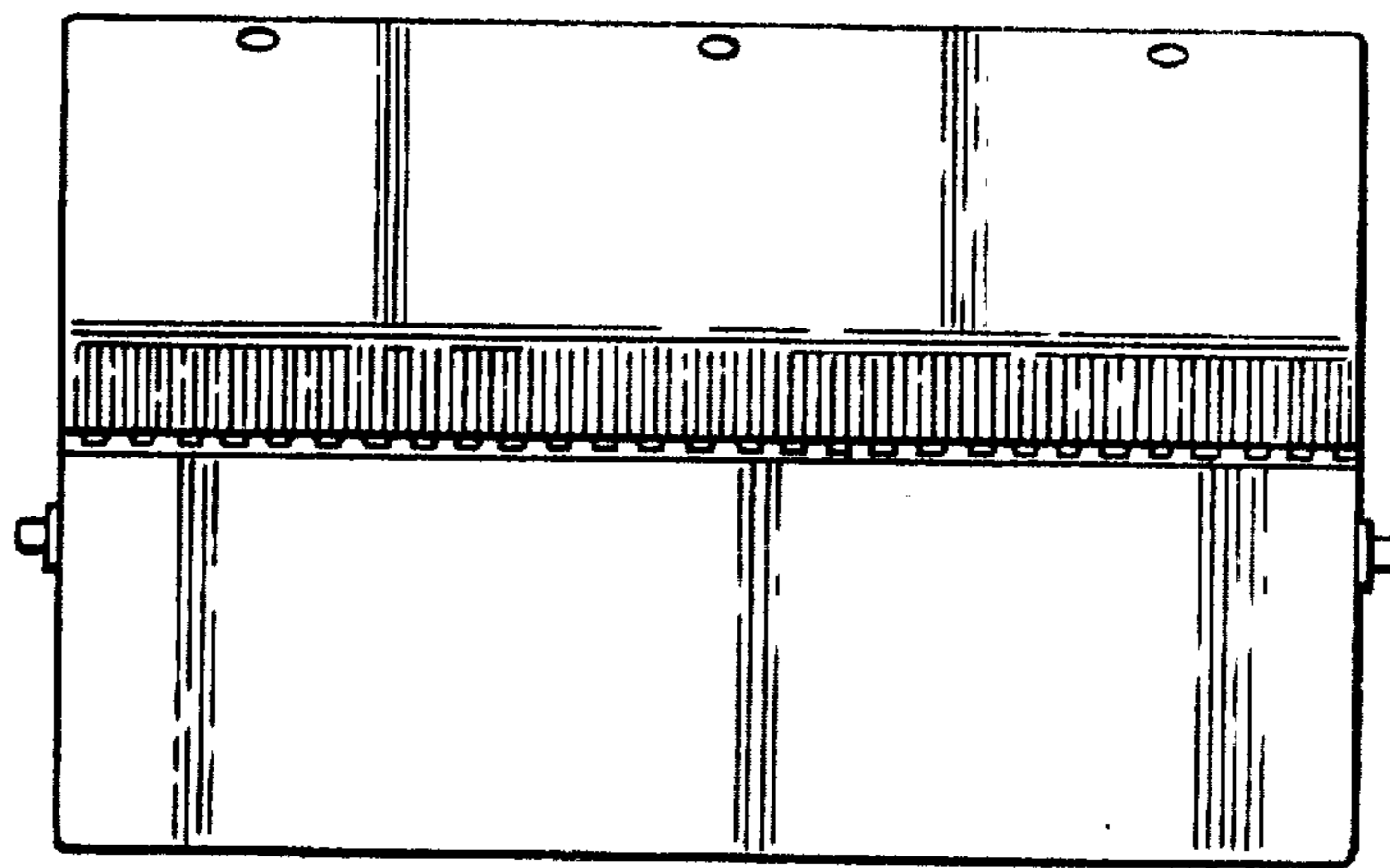


Fig. 3

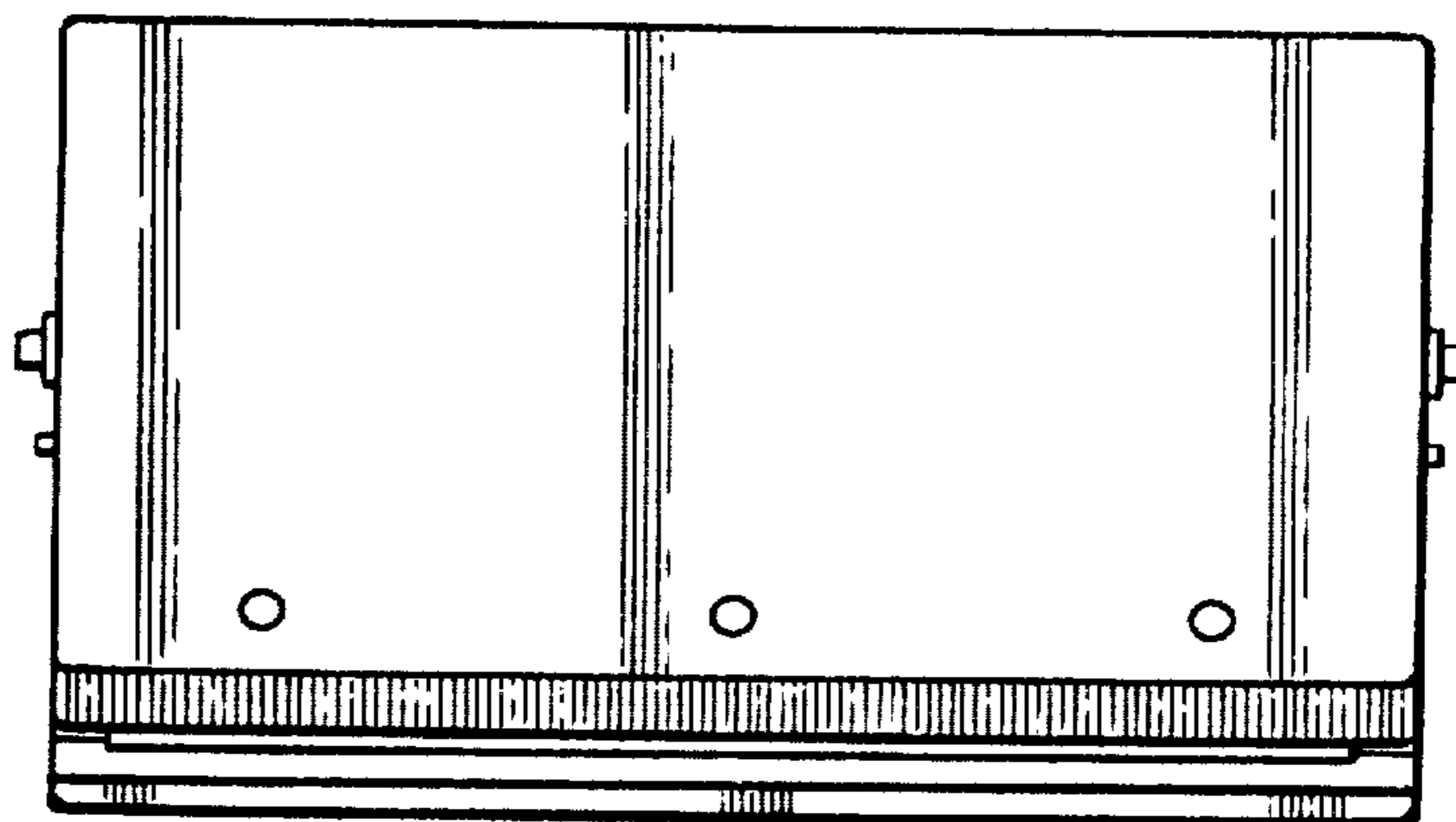


Fig. 4

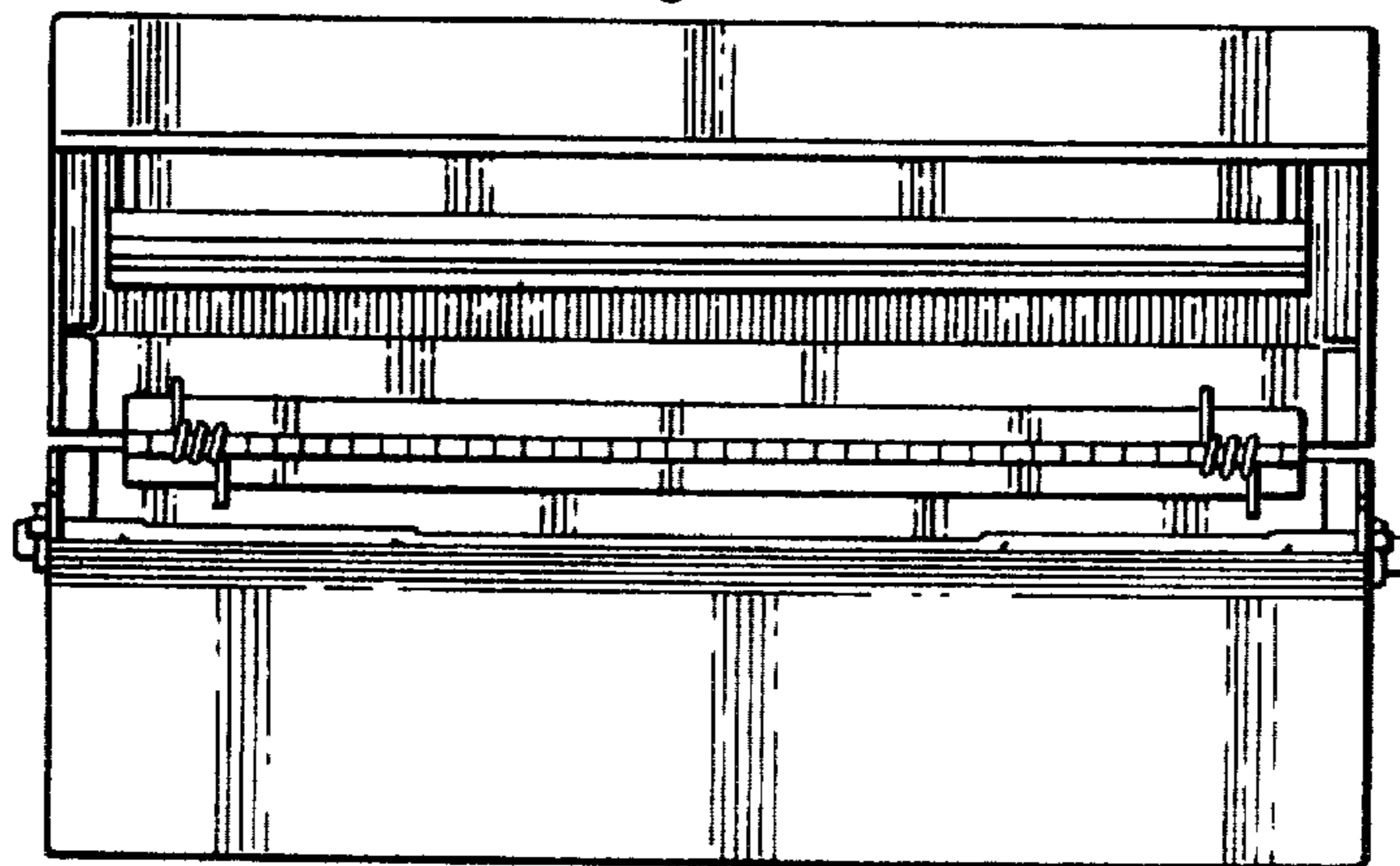


Fig. 5