

# United States Patent [19]

Morehouse

[11] **Des. 272,019**

[45] **\*\* Jan. 3, 1984**

[54] **CHAIR**

[76] **Inventor:** Laurence E. Morehouse, 910  
Tiverton Ave., Los Angeles, Calif.  
90024

[\*\*] **Term:** 14 Years

[21] **Appl. No.:** 341,516

[22] **Filed:** Jan. 21, 1982

[51] **Int. Cl.** ..... D6—01

[52] **U.S. Cl.** ..... D6/47; D6/197

[58] **Field of Search** ..... D6/20, 26, 30, 31, 32,  
D6/35, 47, 65, 66, 67, 191, 197

[56] **References Cited**

## U.S. PATENT DOCUMENTS

D. 210,772 4/1968 Smith ..... D6/78

D. 253,324 11/1979 Lopez ..... D6/31 X  
D. 257,748 1/1981 Smith ..... D6/48

*Primary Examiner*—Bruce W. Dunkins  
*Attorney, Agent, or Firm*—Ralph B. Pastoriza

[57] **CLAIM**

The ornamental design for a chair, substantially as shown and described.

## DESCRIPTION

FIG. 1 is a perspective view of a chair showing my new design;

FIG. 2 is a right side elevational view thereof;

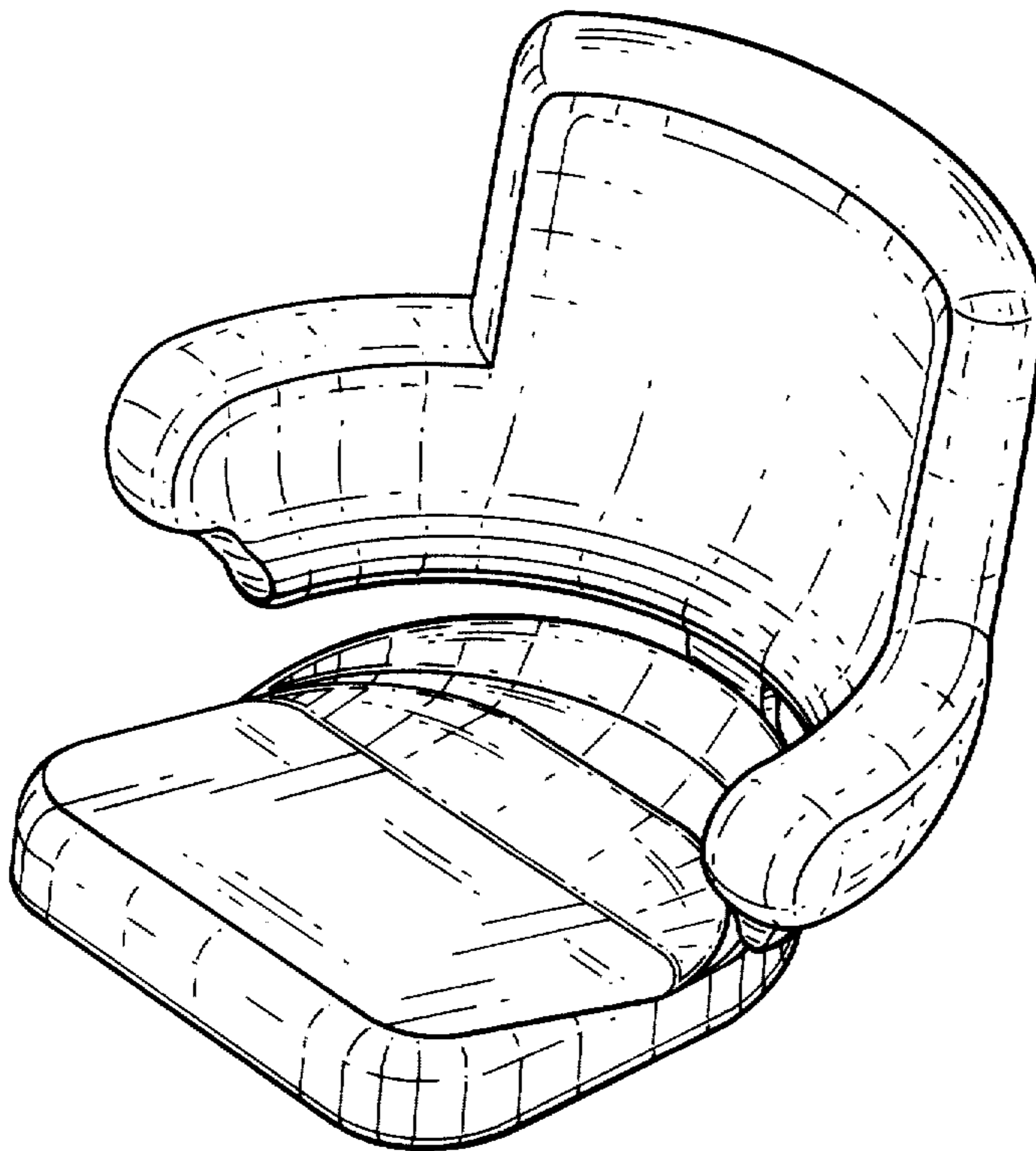
FIG. 3 is a plan view thereof;

FIG. 4 is front elevational view thereof;

FIG. 5 is a rear elevational view thereof; and,

FIG. 6 is a bottom plan view thereof.

The side of the chair not shown is a mirror image of the side shown in FIG. 2.



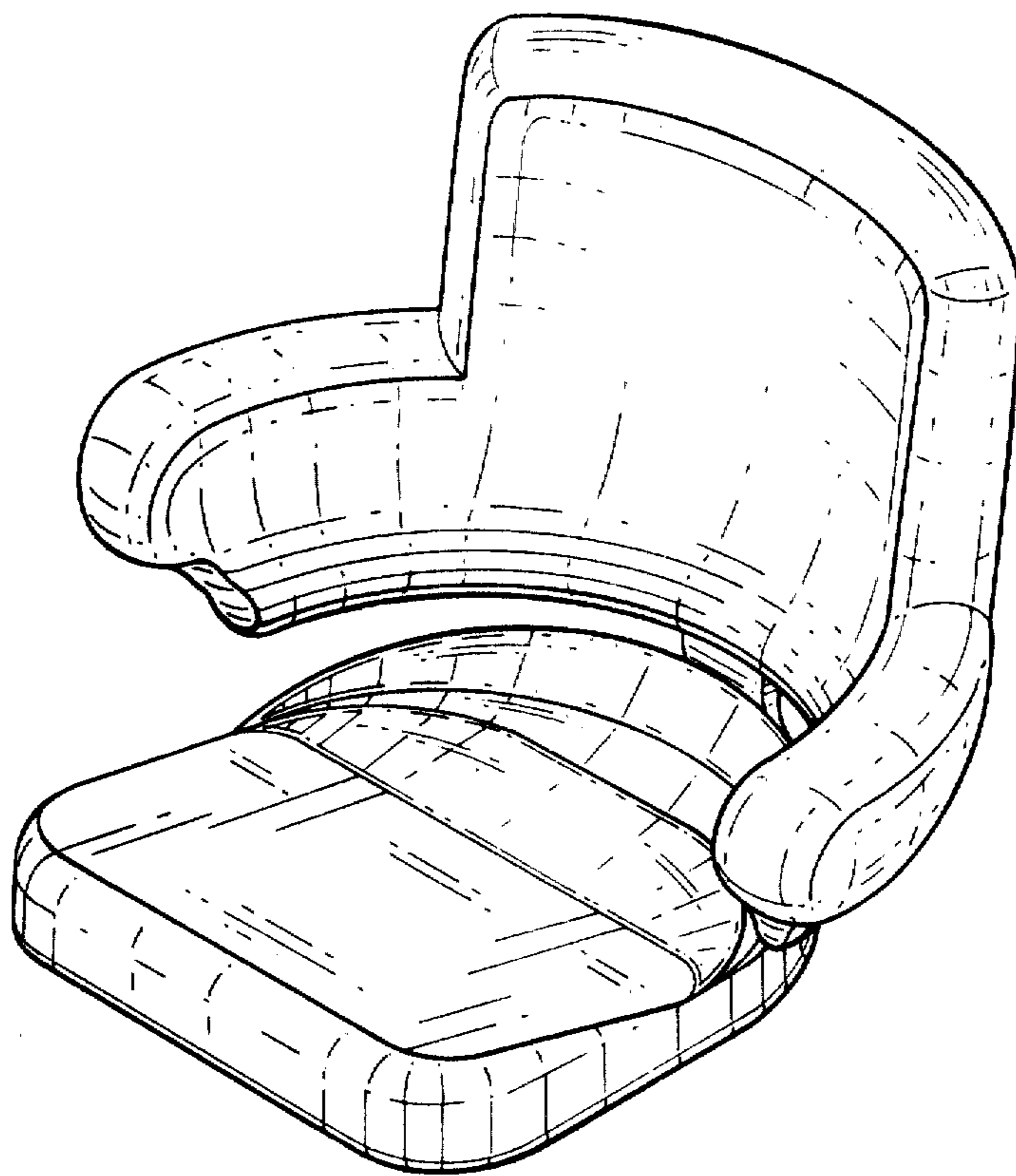


FIG. 1

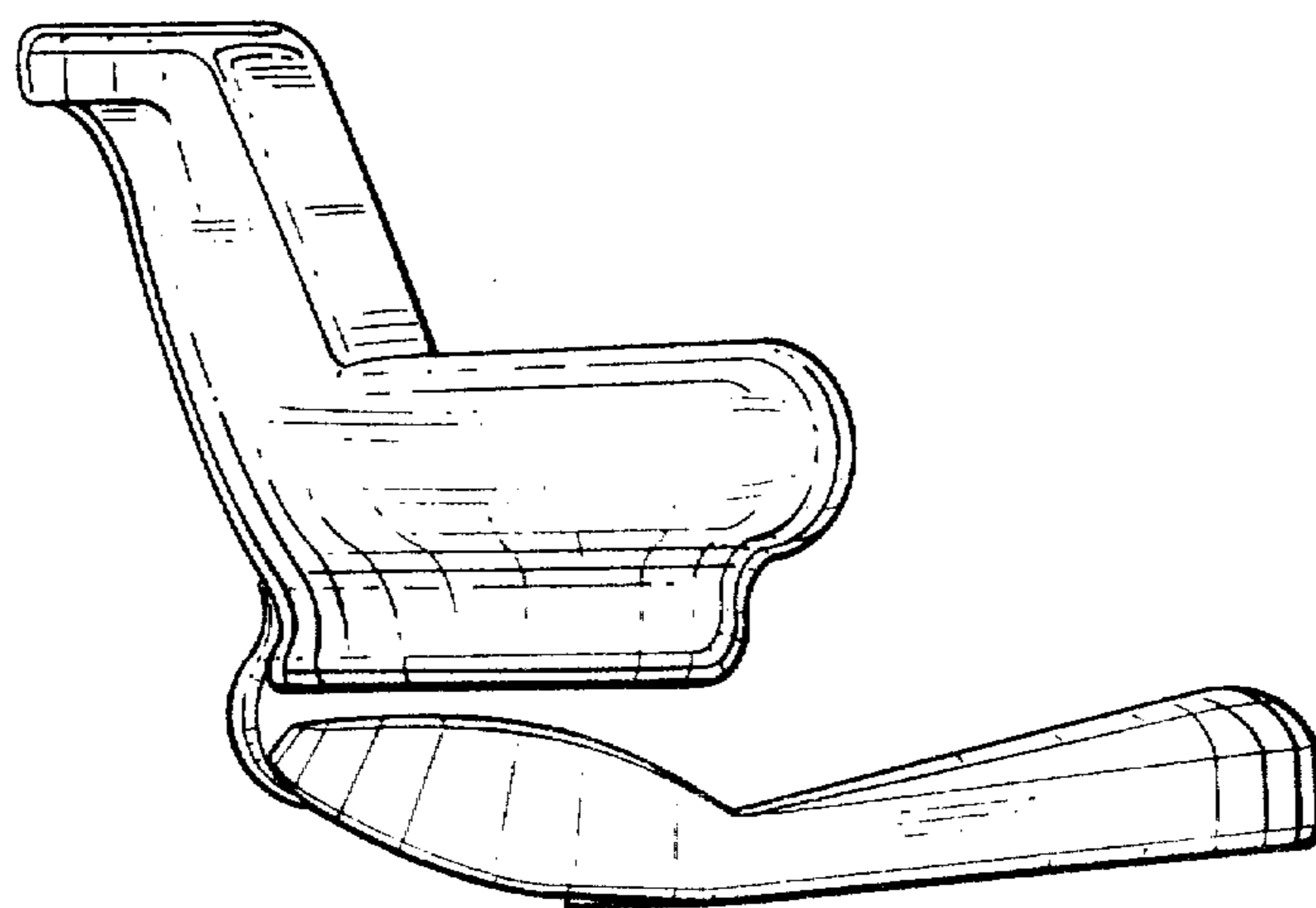


FIG. 2

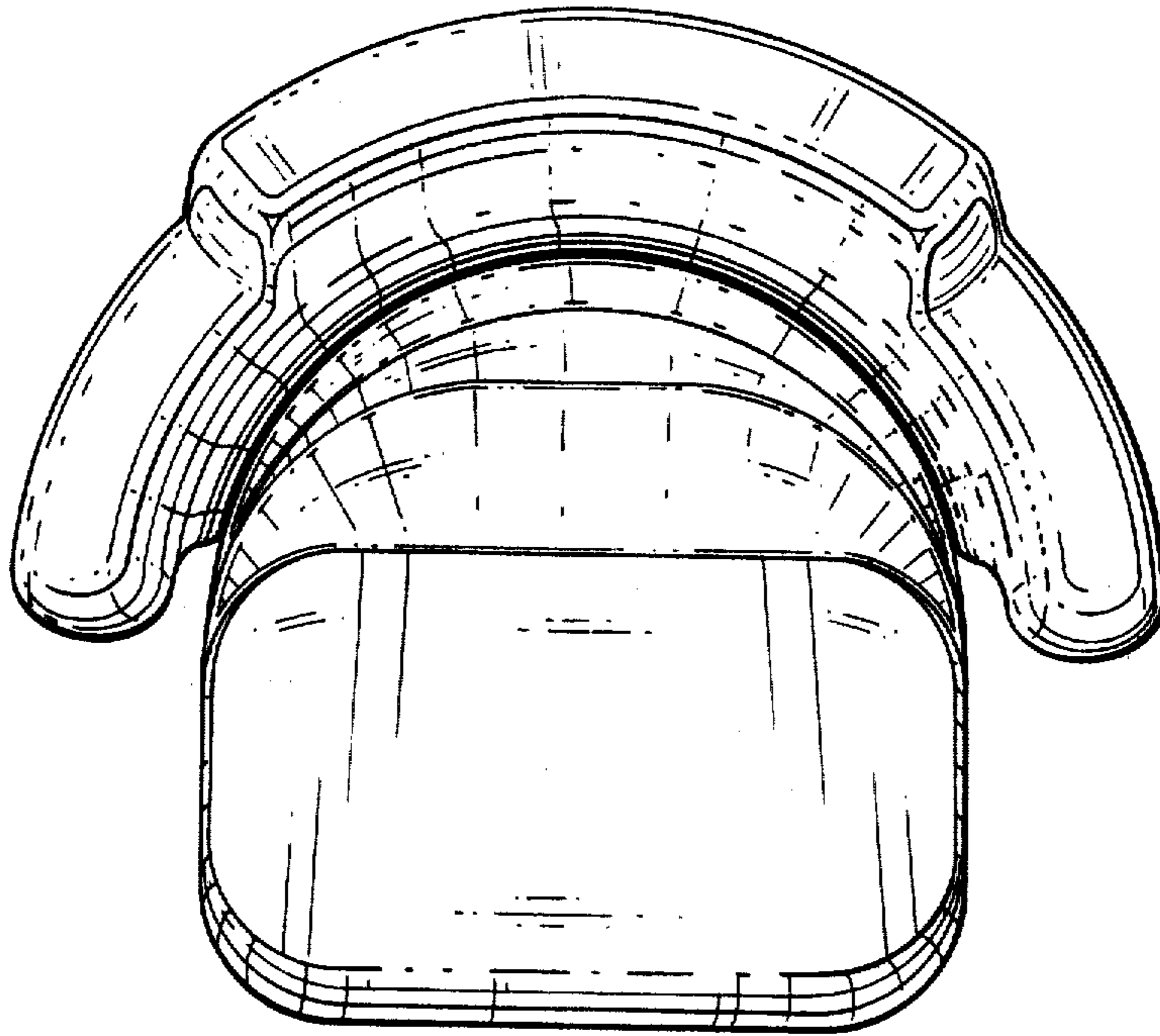


FIG. 3

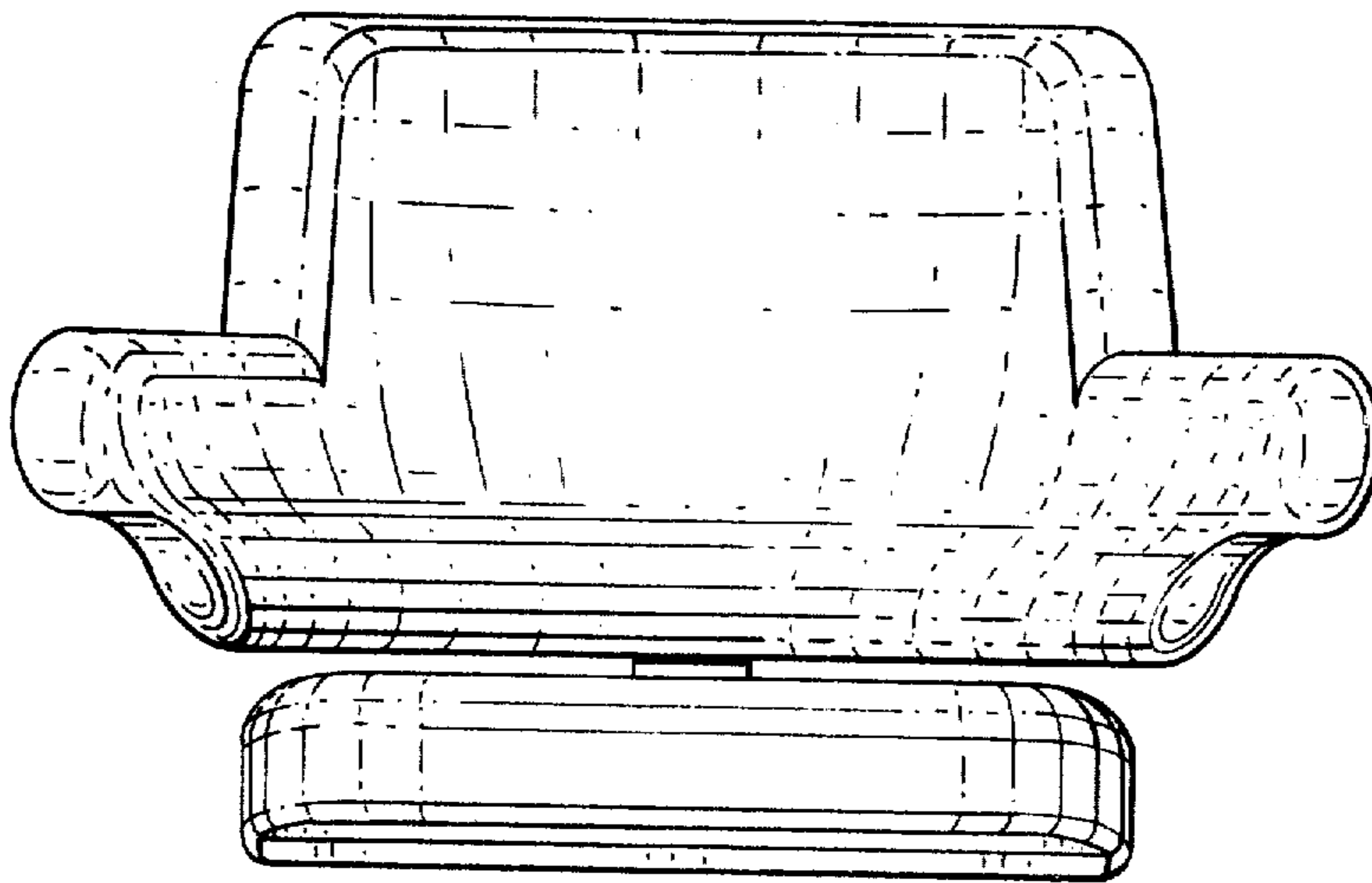


FIG. 4

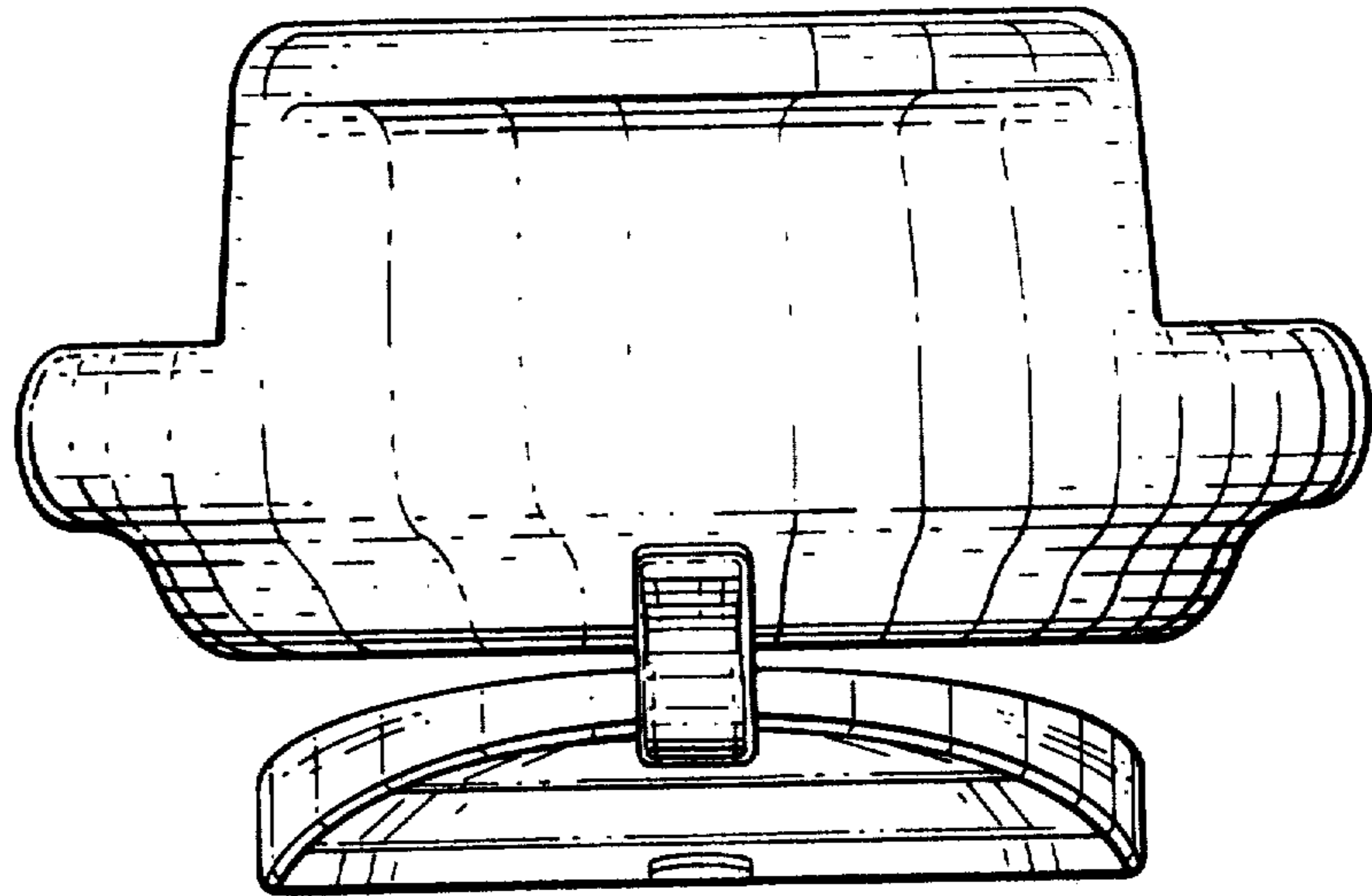


FIG. 5

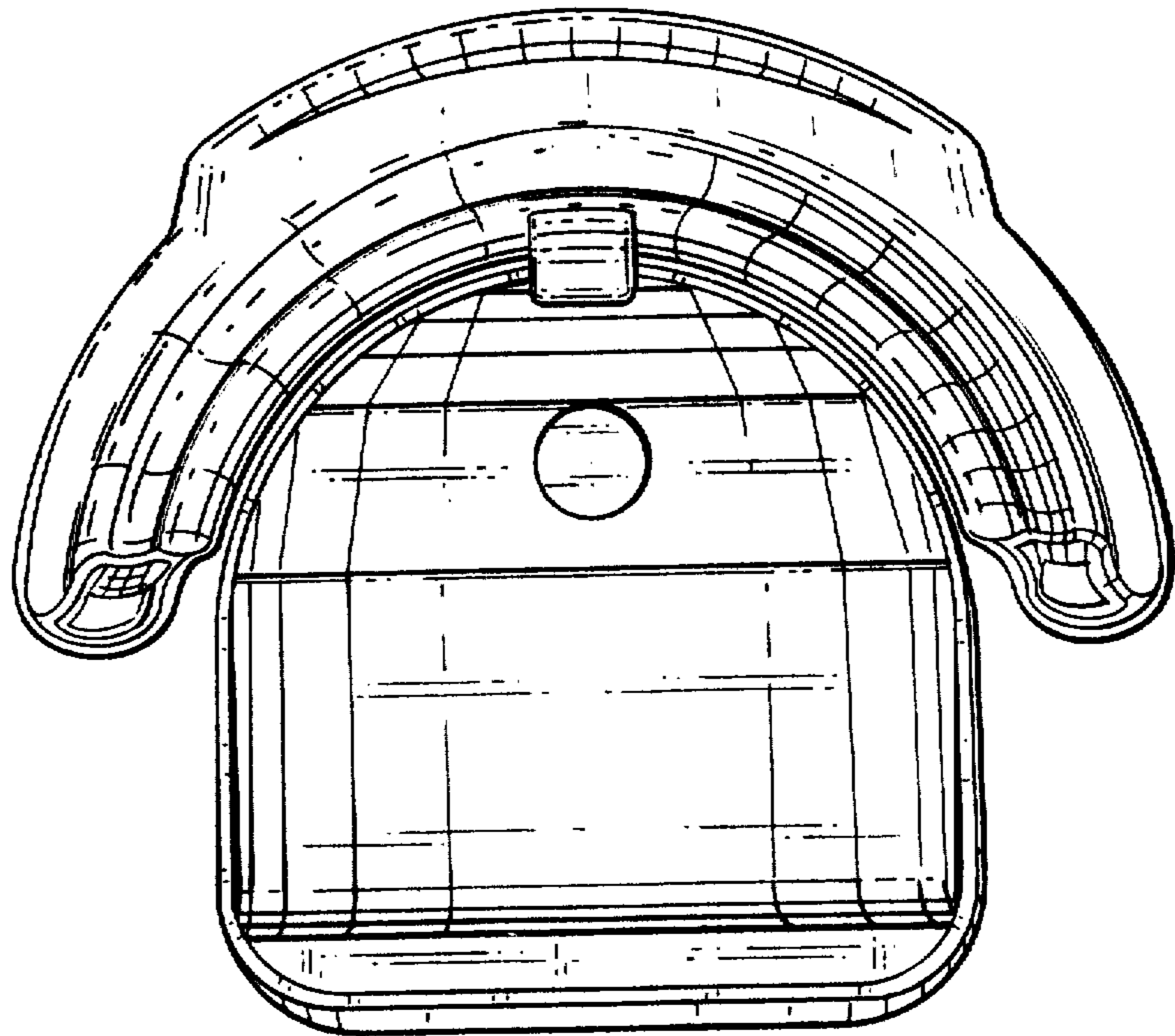


FIG. 6