

[54] DEEP-SEA FISHERMAN'S CHAIR

[76] Inventor: Rogenald J. Keller, 204 N. Minnesota Ave., St. Peter, Minn. 56082

[**] Term: 14 Years

[21] Appl. No.: 318,335

[22] Filed: Nov. 5, 1981

[51] Int. Cl. D6-01

[52] U.S. Cl. D6/26

[58] Field of Search D6/20-31, D6/47-78

[56] References Cited

U.S. PATENT DOCUMENTS

- D. 238,835 2/1976 Cassina D6/26
- D. 251,277 3/1979 Kelley D6/31
- D. 252,119 6/1979 kelley D6/31

D. 254,278 2/1980 Wilson D6/31

Primary Examiner—Bruce W. Dunkins
Attorney, Agent, or Firm—Schroeder, Siegfried, Vidas & Arrett

[57] CLAIM

The ornamental design for a deep-sea fisherman's chair, as shown and described.

DESCRIPTION

FIG. 1 is a perspective view of my new deep-sea fisherman's chair;

FIG. 2 is a side elevational view thereof;

FIG. 3 is a front elevational view thereof;

FIG. 4 is a rear elevational view thereof;

FIG. 5 is a top plan view thereof; and,

FIG. 6 is a bottom plan view thereof.

A side elevational view taken from the side opposite that shown in FIG. 2 is essentially a mirror image thereof.

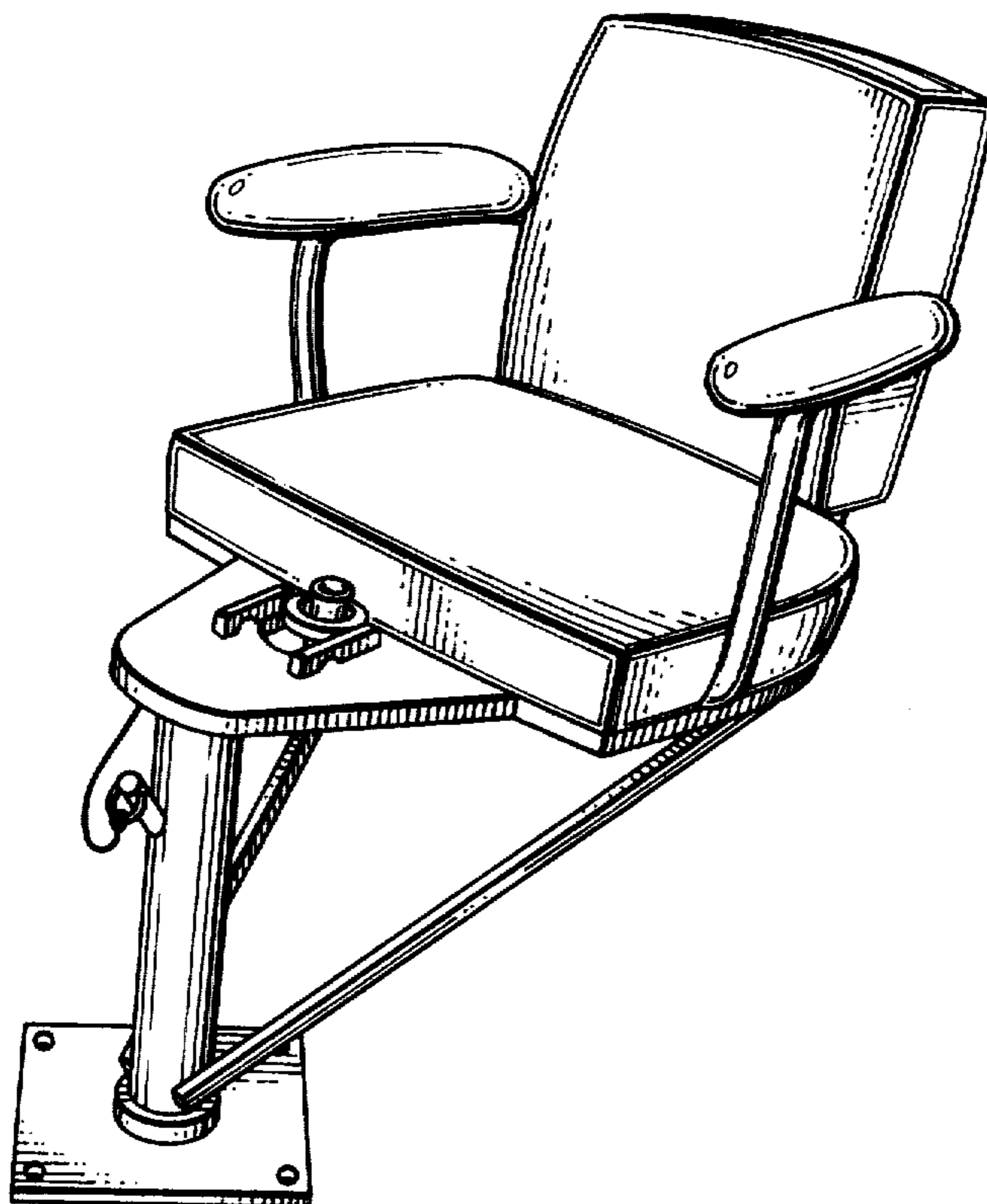


Fig. 1

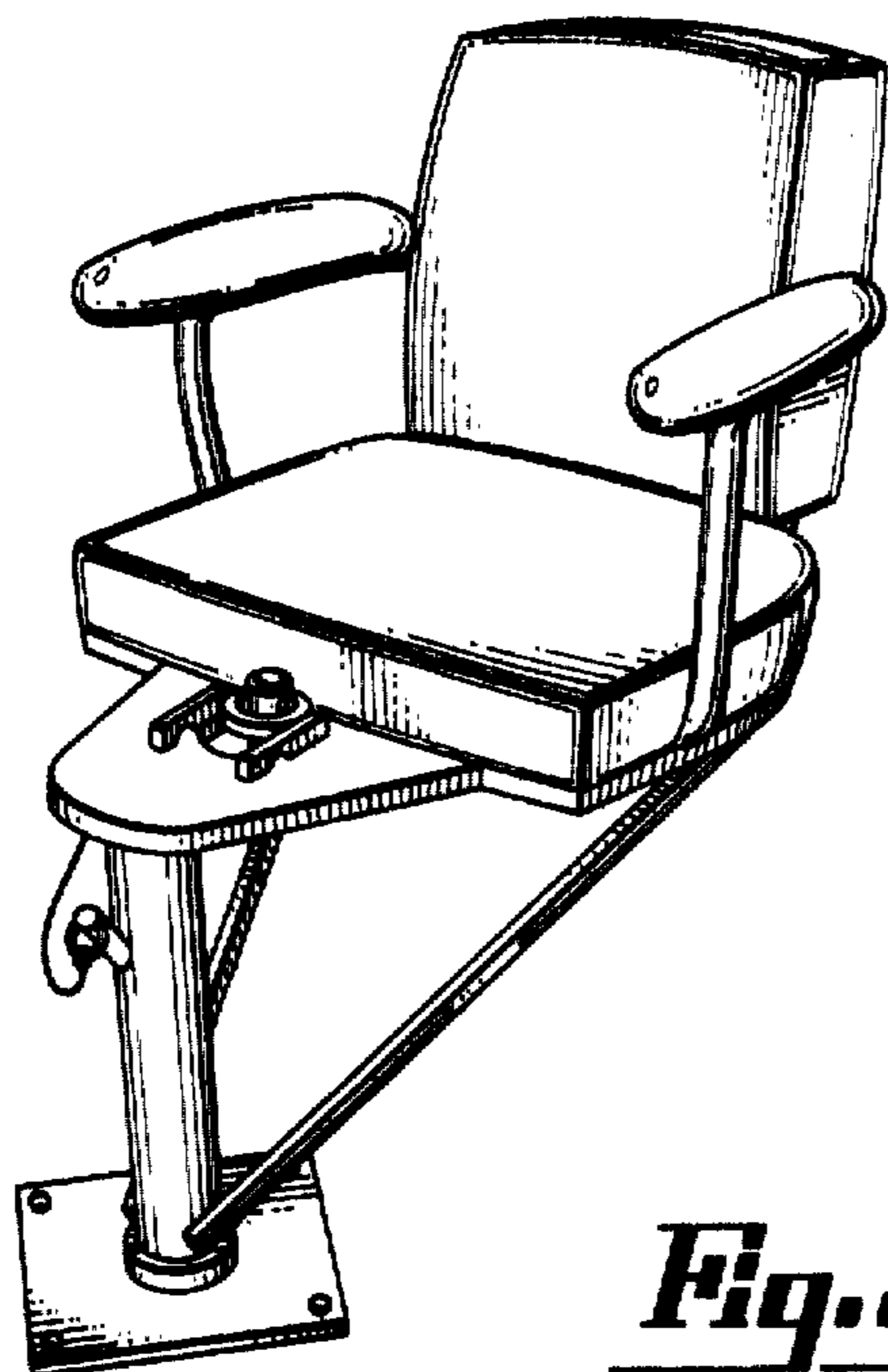


Fig. 2

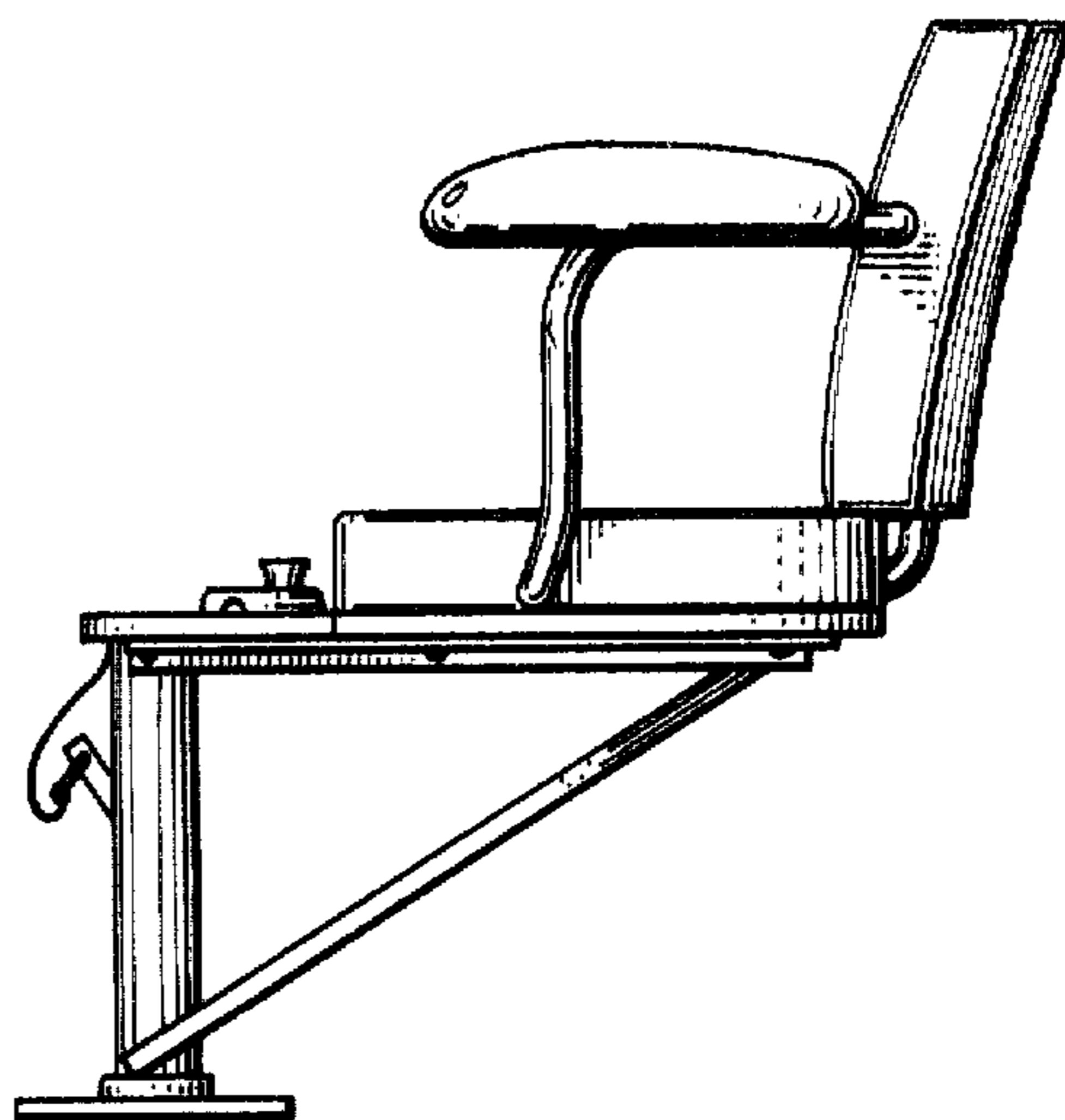


Fig. 3

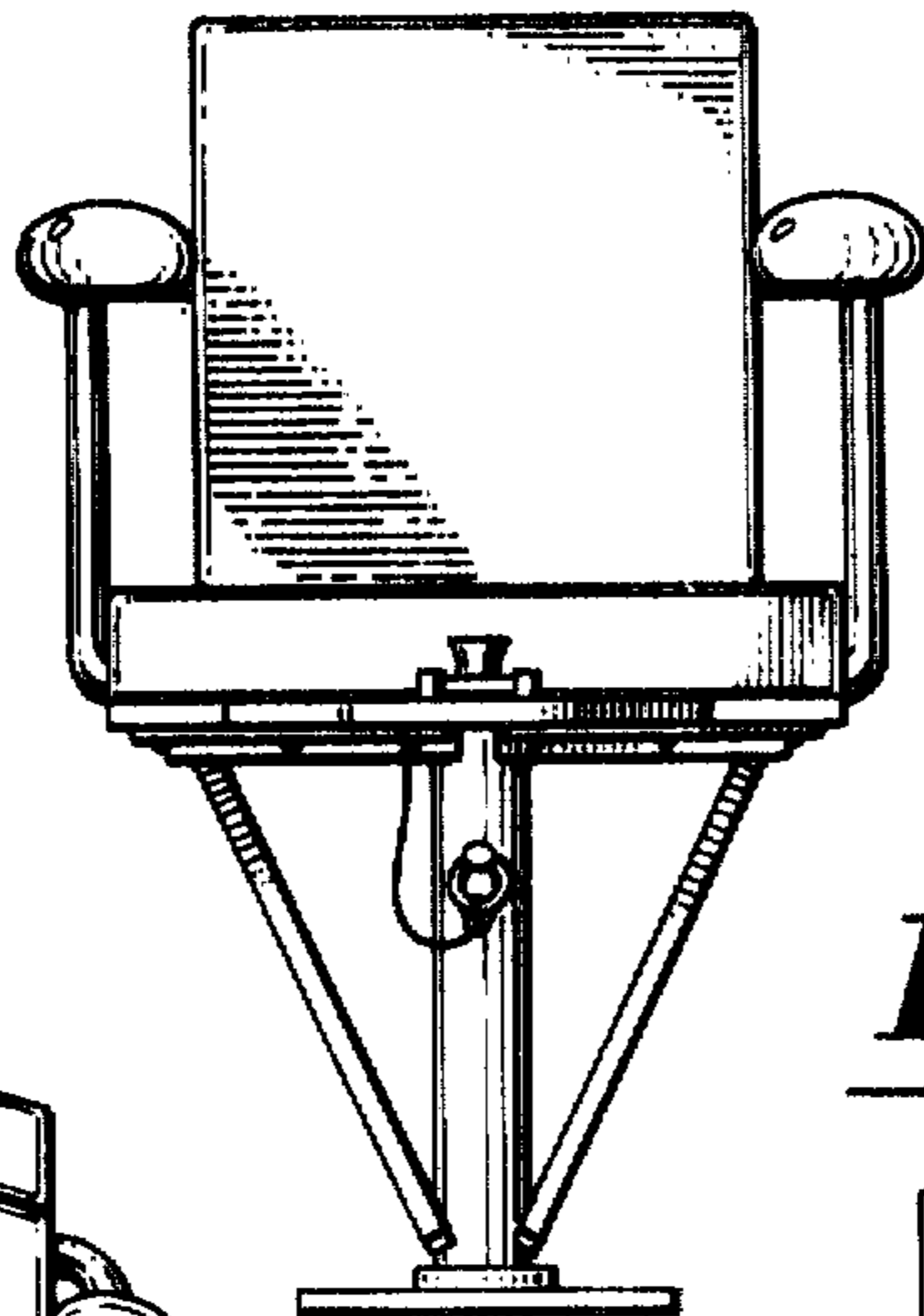


Fig. 4

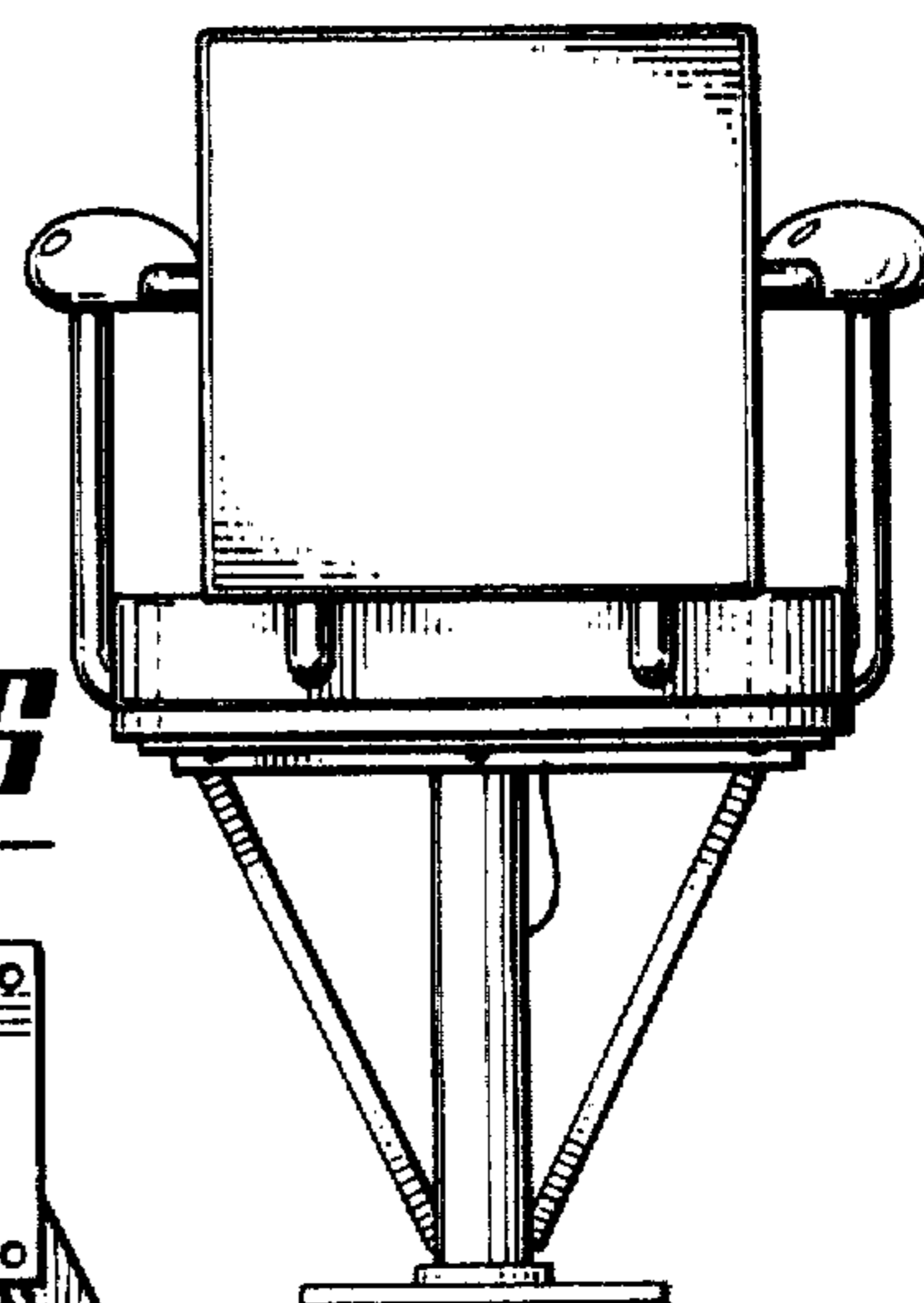


Fig. 5

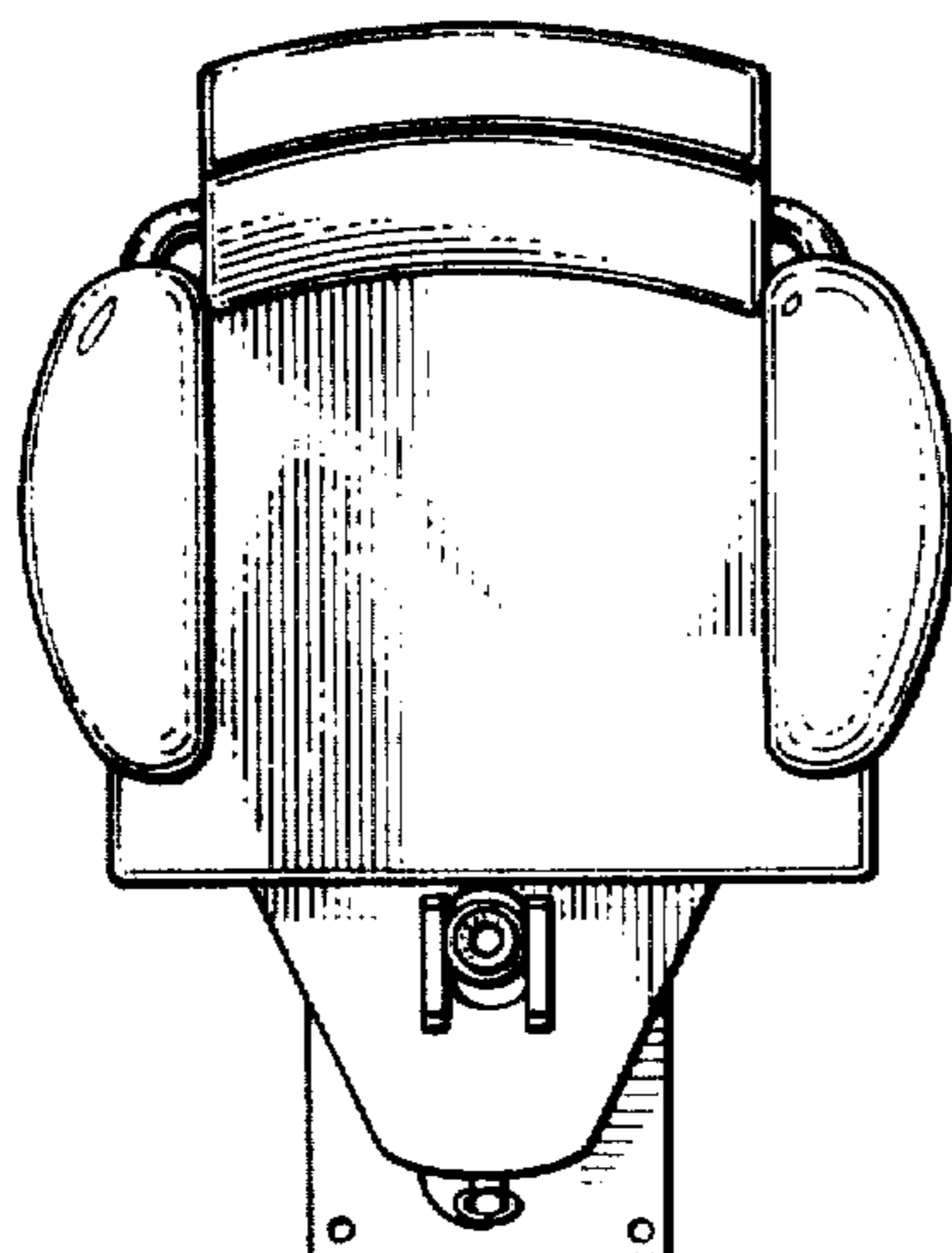


Fig. 6

