

United States Patent [19]

Blair

[11] **Des. 272,016**

[45] **** Jan. 3, 1984**

[54] **COMBINED WALLET AND KEY HOLDER**

[76] Inventor: **Saundra G. Blair**, 4808 W. Wendover Ave., Greensboro, N.C. 27410

[**] Term: **14 Years**

[21] Appl. No.: **233,797**

[22] Filed: **Feb. 12, 1981**

[51] Int. Cl. **D3-01**

[52] U.S. Cl. **D3/56; D3/58; D3/62**

[58] Field of Search **D3/56, 58, 59, 61, 65; 150/34, 39, 40, 35; 70/456 R**

[56] **References Cited**

U.S. PATENT DOCUMENTS

D. 157,341 2/1950 Chase D3/58

1,758,297	5/1930	Stanley	D3/62
1,821,585	9/1931	Smith	D3/62
2,581,029	1/1952	Knee	D3/59
2,597,967	5/1952	Anderson	D3/58

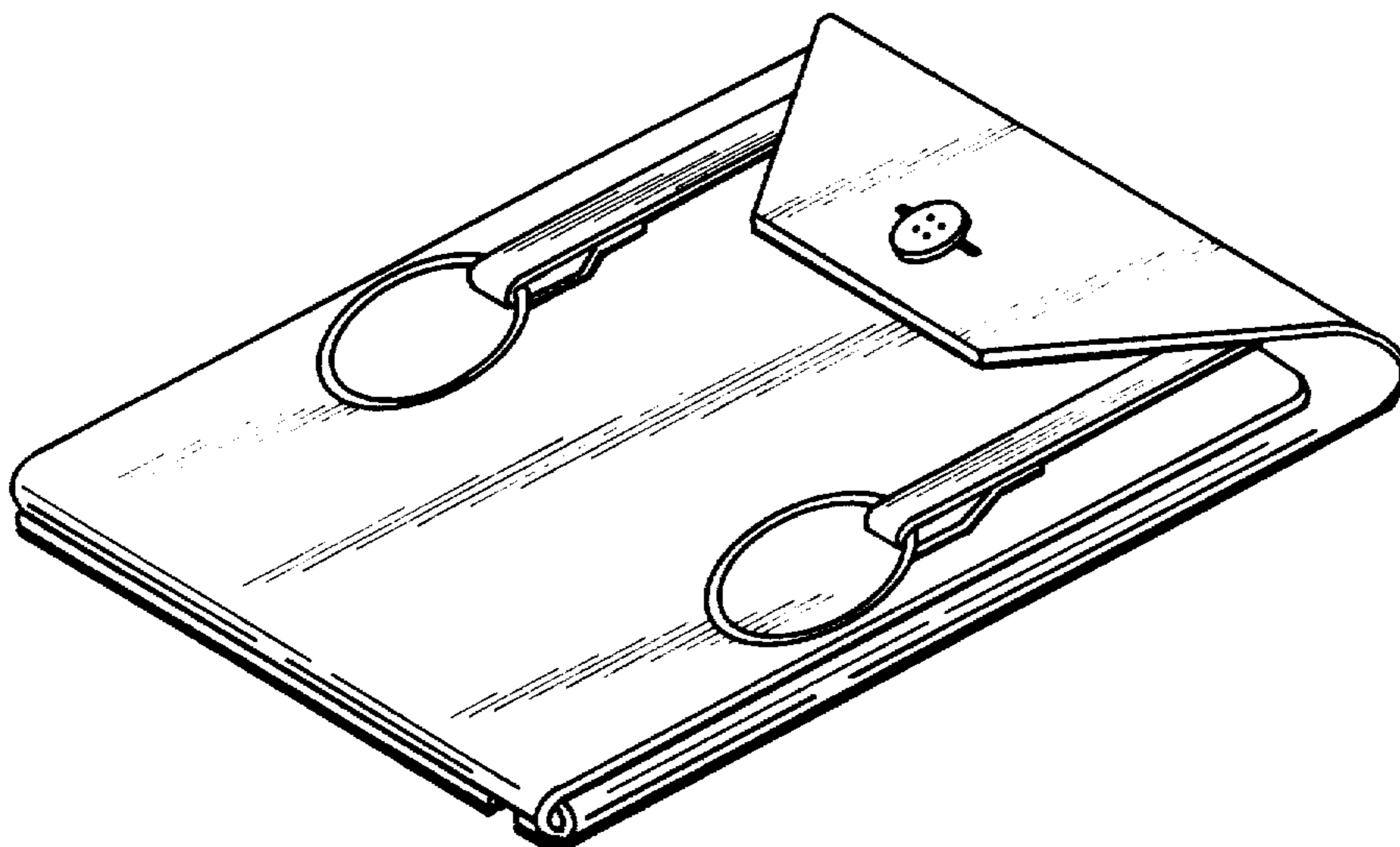
Primary Examiner—George P. Word
Attorney, Agent, or Firm—Charles R. Rhodes; Judith G. Smith

[57] **CLAIM**

The ornamental design for a combined wallet and key holder, as shown and described.

DESCRIPTION

FIG. 1 is a perspective view of a combined wallet and key holder showing my new design; FIG. 2 is a perspective thereof with the flap of the front compartment open; and FIG. 3 is a rear perspective view of FIG. 2.



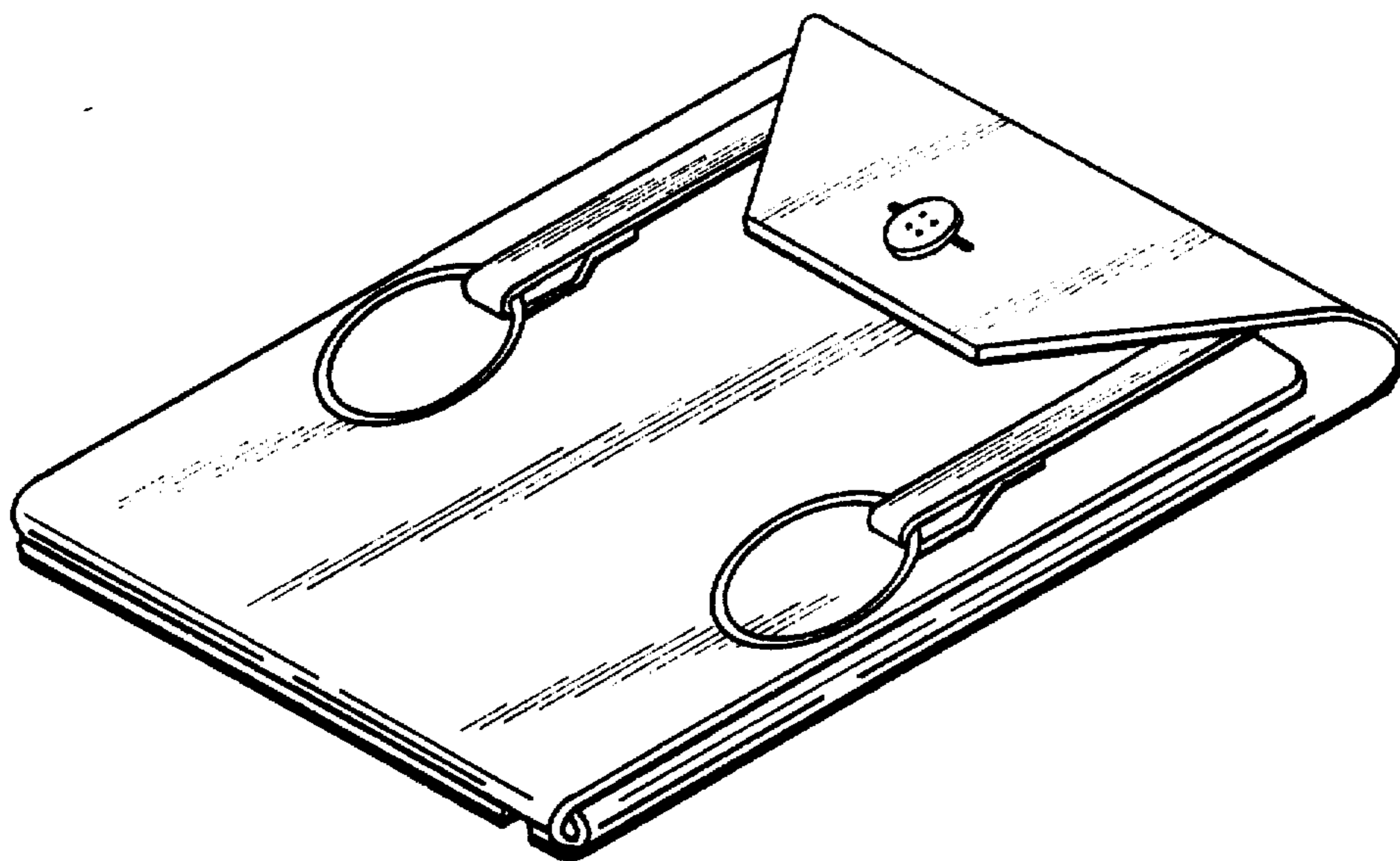


FIG. 1

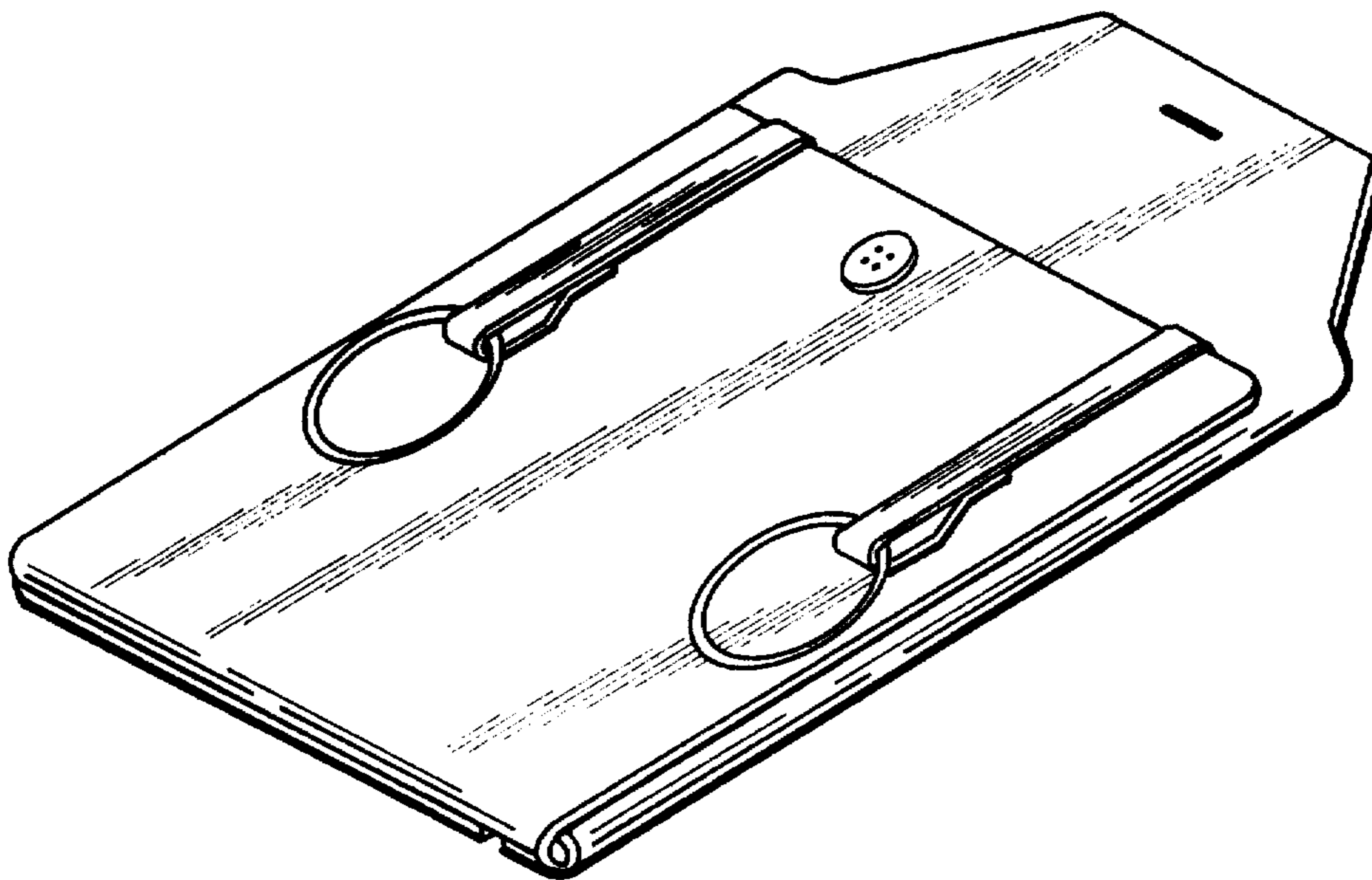


FIG. 2

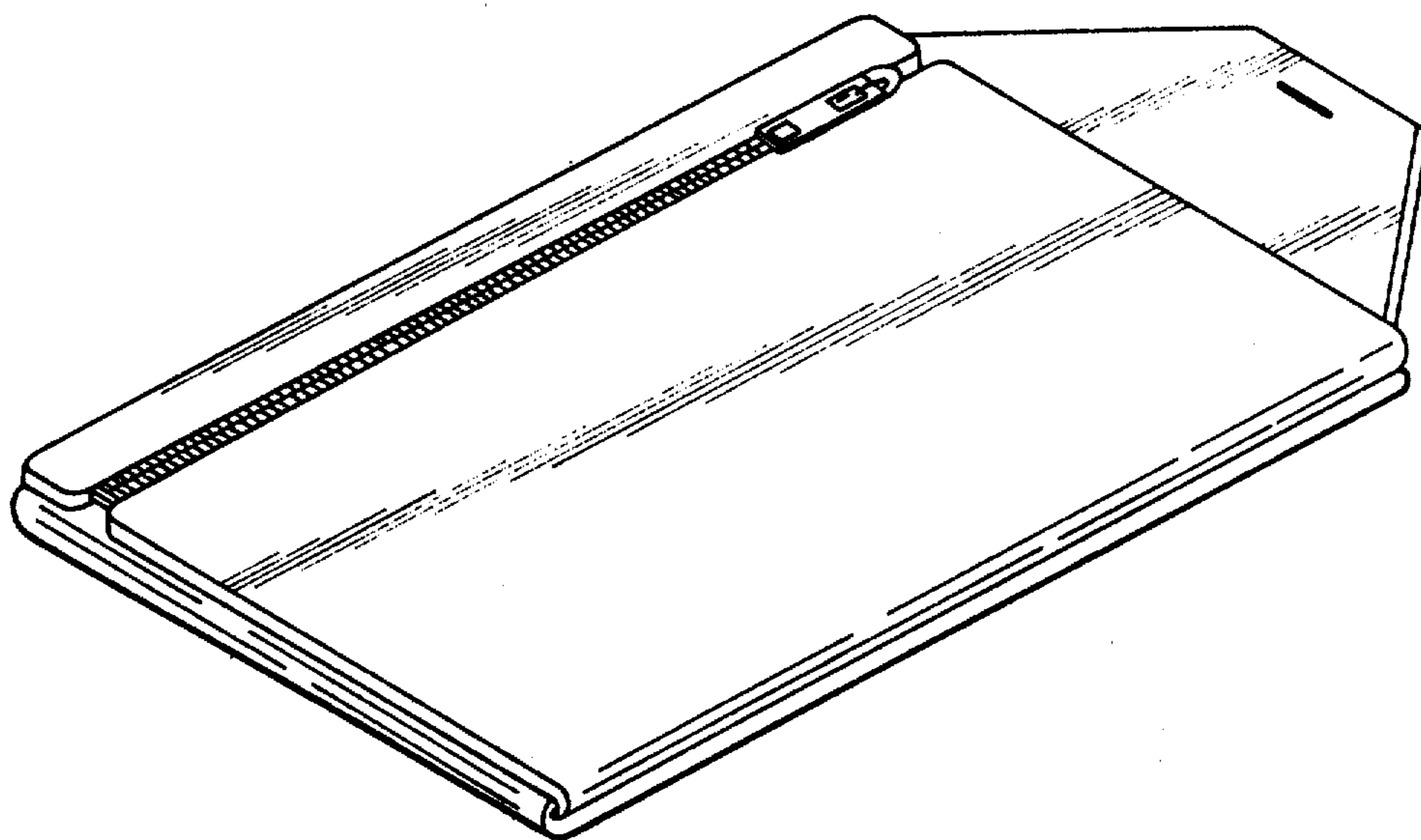


FIG. 3

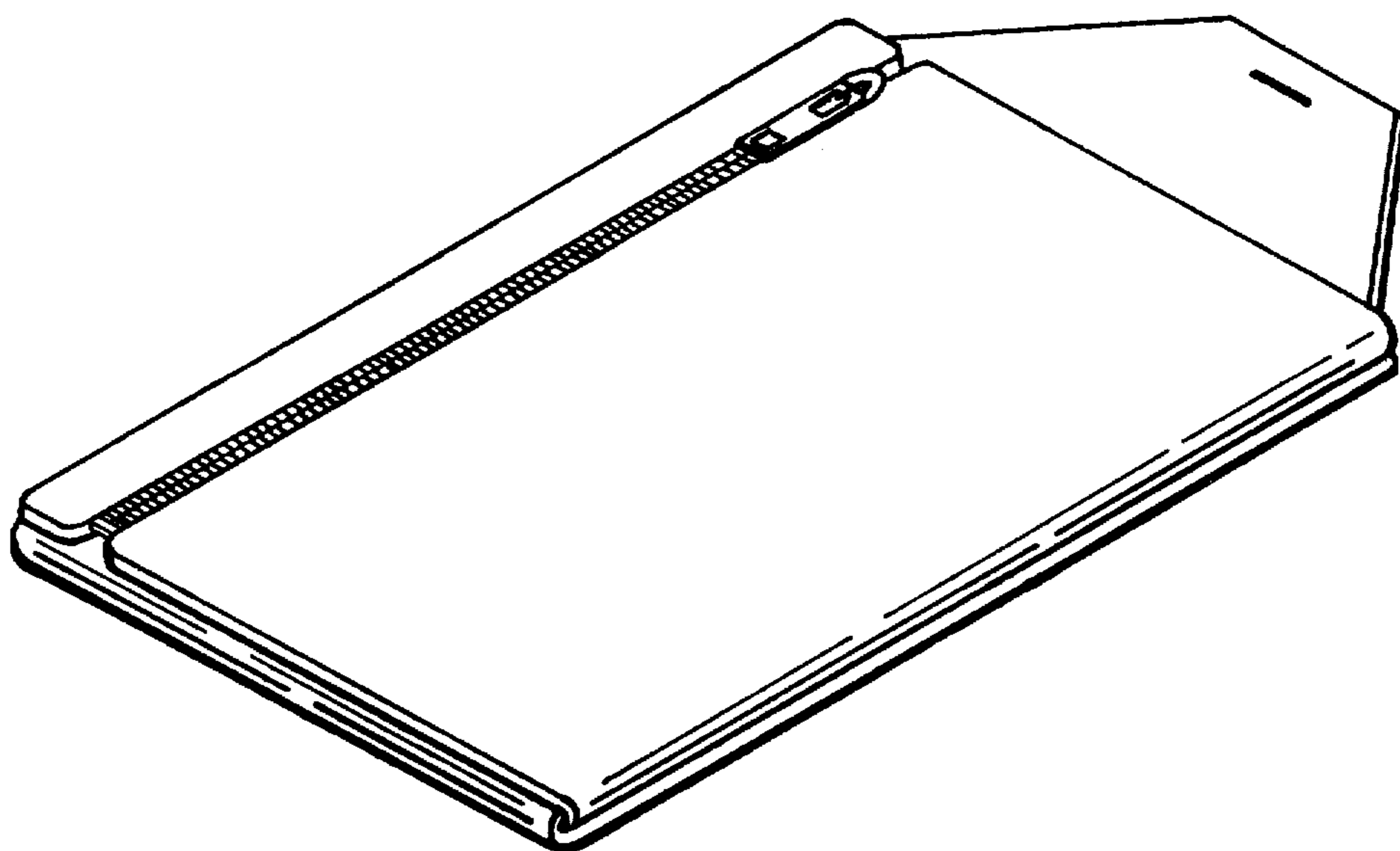


FIG. 3