

[54] SKI BOOT

4,358,904 11/1982 Guild 36/117

[76] Inventors: **Georges Dehay**, 38 Bois de Cange, 27000 Evreux; **Gerard Chalme**, 2 rue Andre Chenier, 76420 Bihorel, both of France

[**] Term: **14 Years**

[21] Appl. No.: **286,381**

[22] Filed: **Jul. 24, 1981**

[51] Int. Cl. **D2-04**

[52] U.S. Cl. **D2/276**

[58] Field of Search **D2/276; 36/117-120, 36/50**

OTHER PUBLICATIONS

Ski Flash, 3/4/78, p. 63, Ski Boots at upper-right and lower-left.
Ski Flash, 11/79, p. 2, Ski Boots at center.
Ski Flash, 11/79, p. 37, Ski Boot at left.
Ski Flash, 11/79, p. 69, Ski Boot at right.

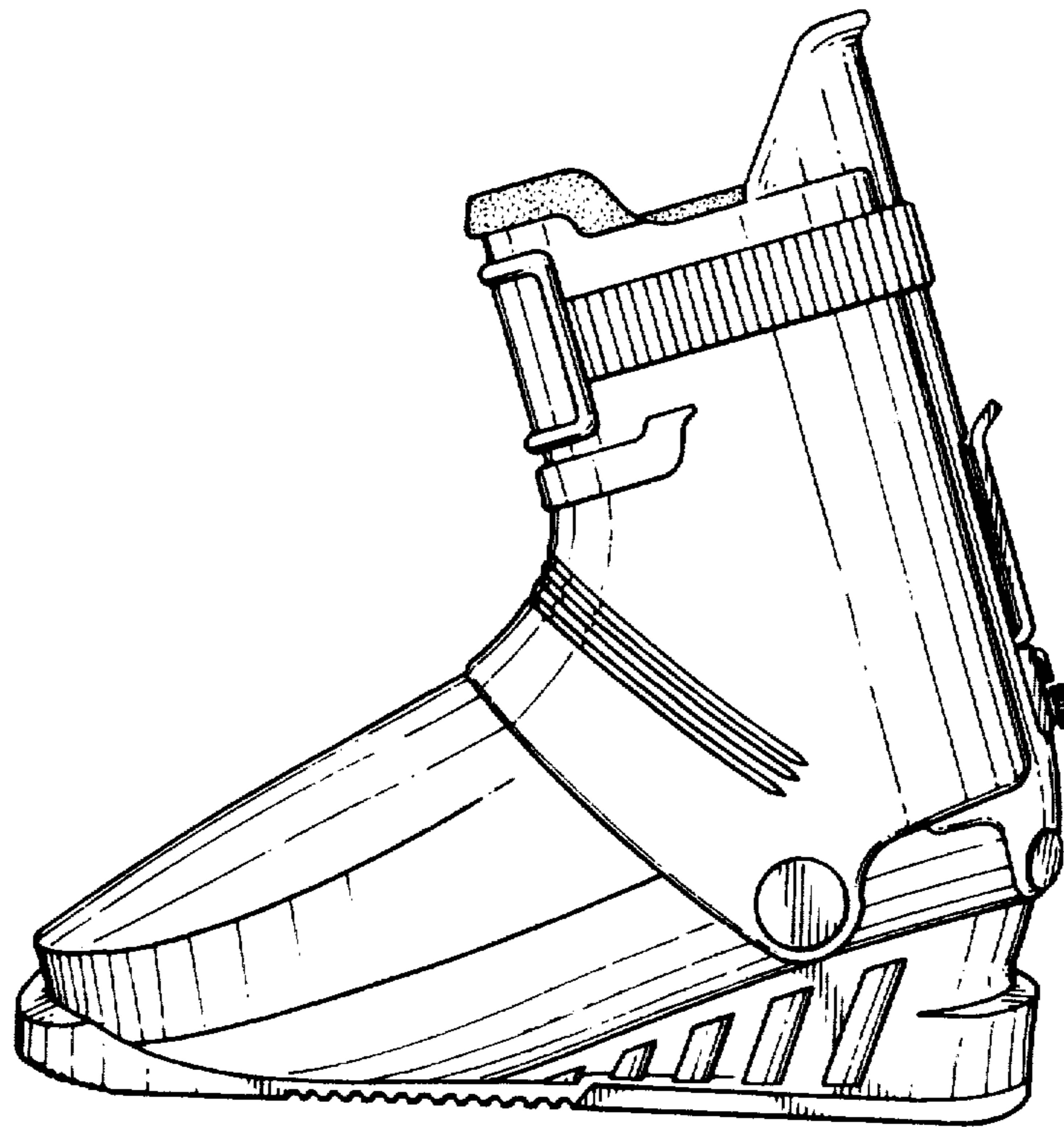
Primary Examiner—Nelson C. Holtje
Attorney, Agent, or Firm—Guy E. Matthews

[57] **CLAIM**

The ornamental design for a ski boot, as shown.

DESCRIPTION

FIG. 1 is a right side elevational view of a ski boot showing my new design;
FIG. 2 is a left side elevational view thereof;
FIG. 3 is a front elevational view thereof;
FIG. 4 is a rear elevational view thereof;
FIG. 5 is a top plan view thereof;
FIG. 6 is a bottom plan view thereof.



References Cited

U.S. PATENT DOCUMENTS

D. 253,499	11/1979	Salomon	D2/276
D. 256,517	8/1980	Salomon	D2/276
4,143,474	3/1979	Blanc	36/120
4,290,213	9/1981	Salomon	36/117

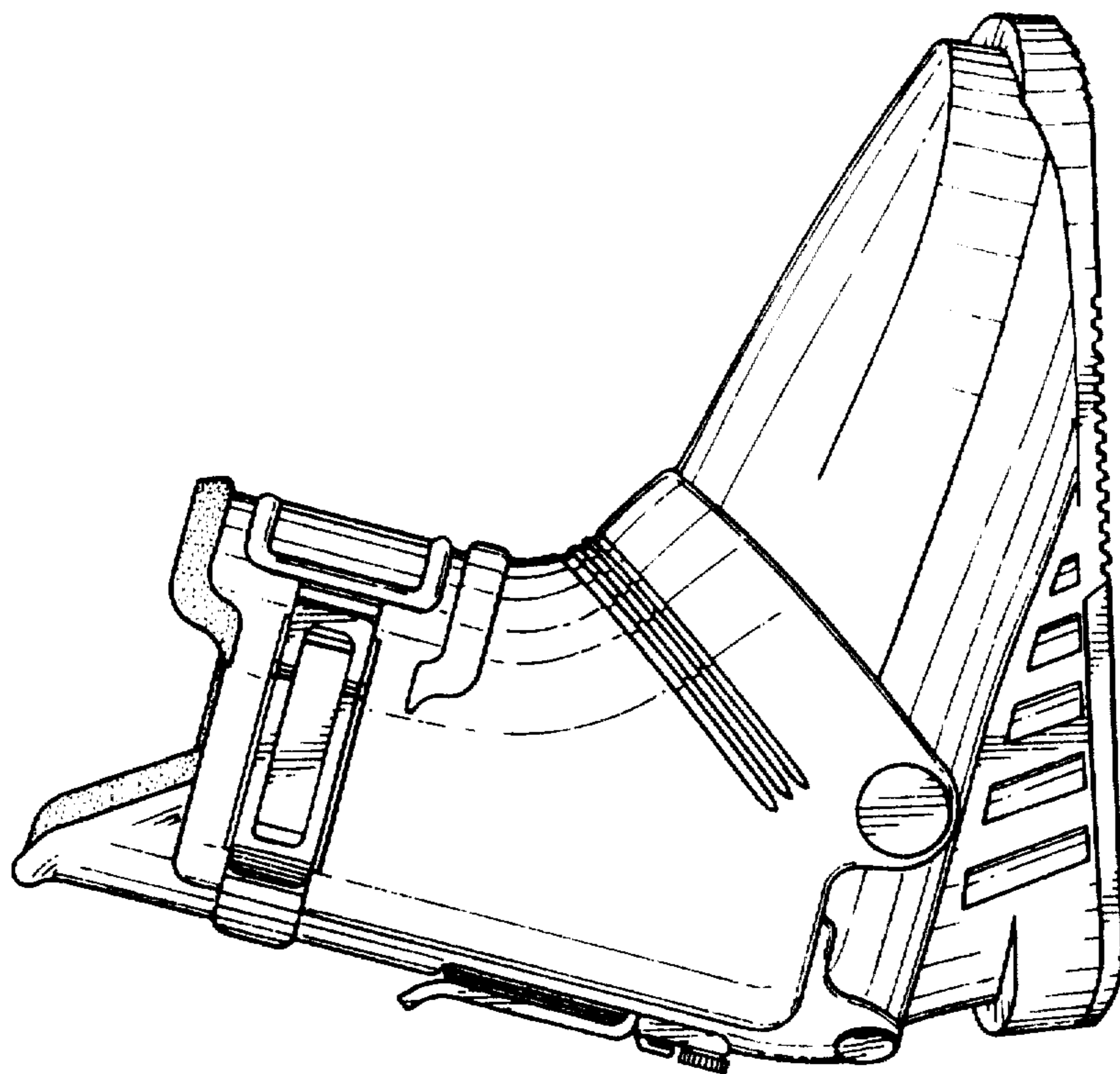


fig. 2

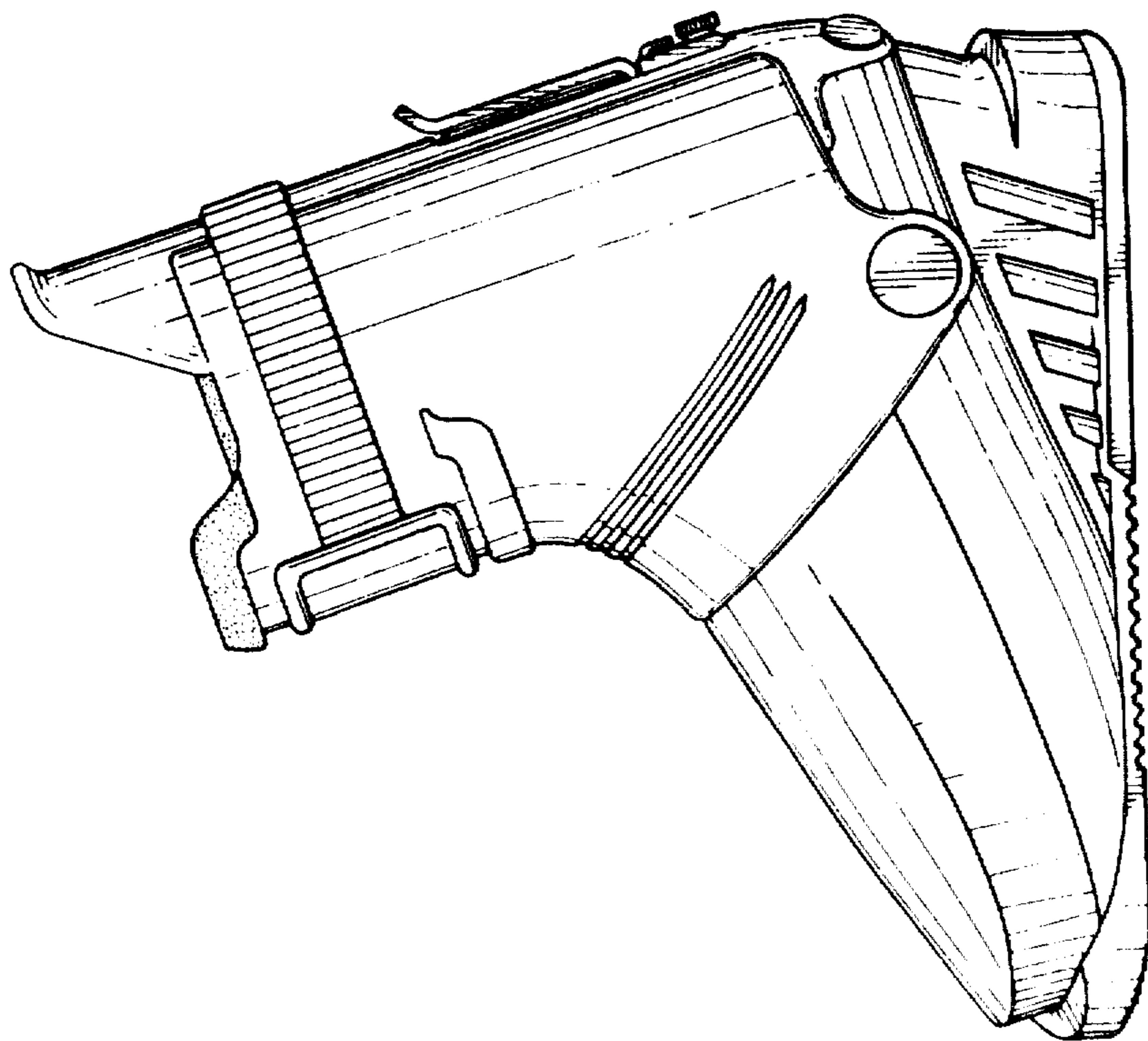


fig. 1

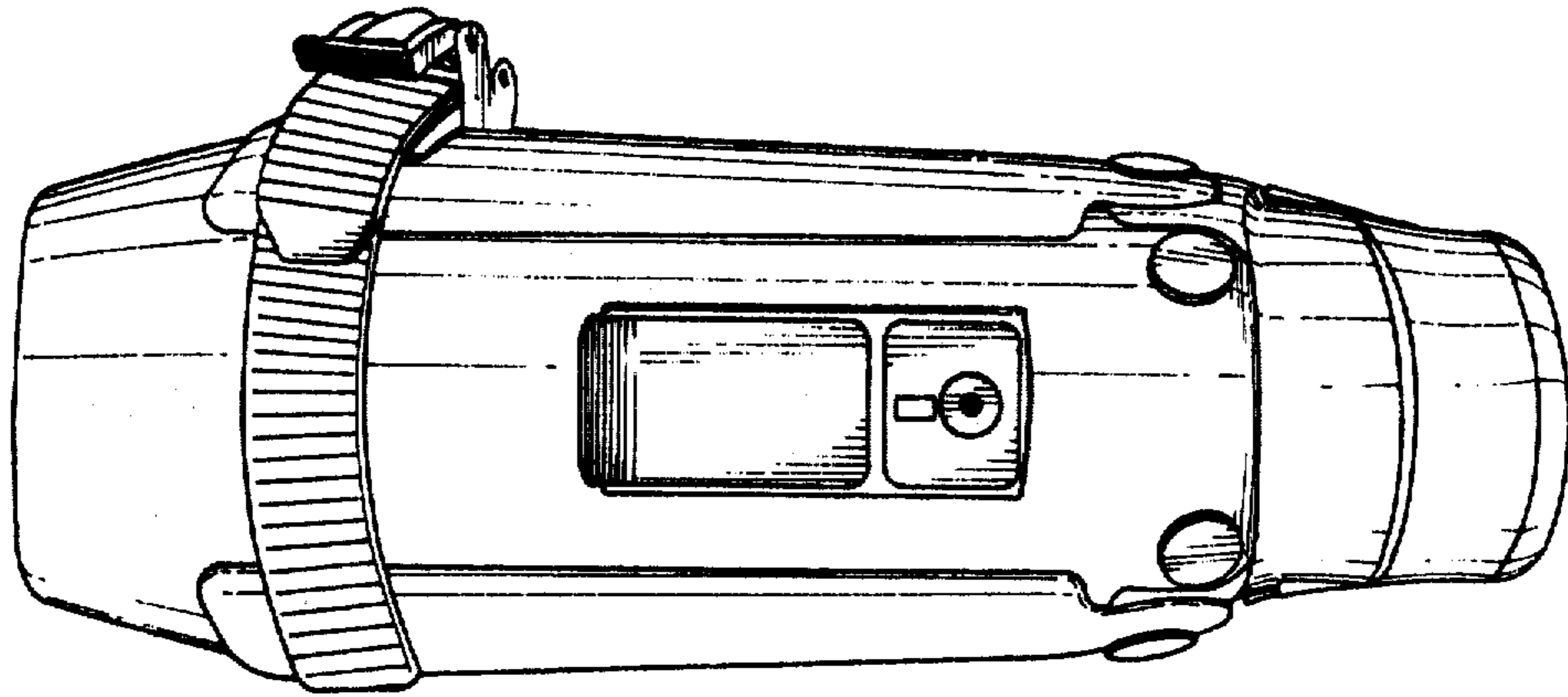


Fig. 1

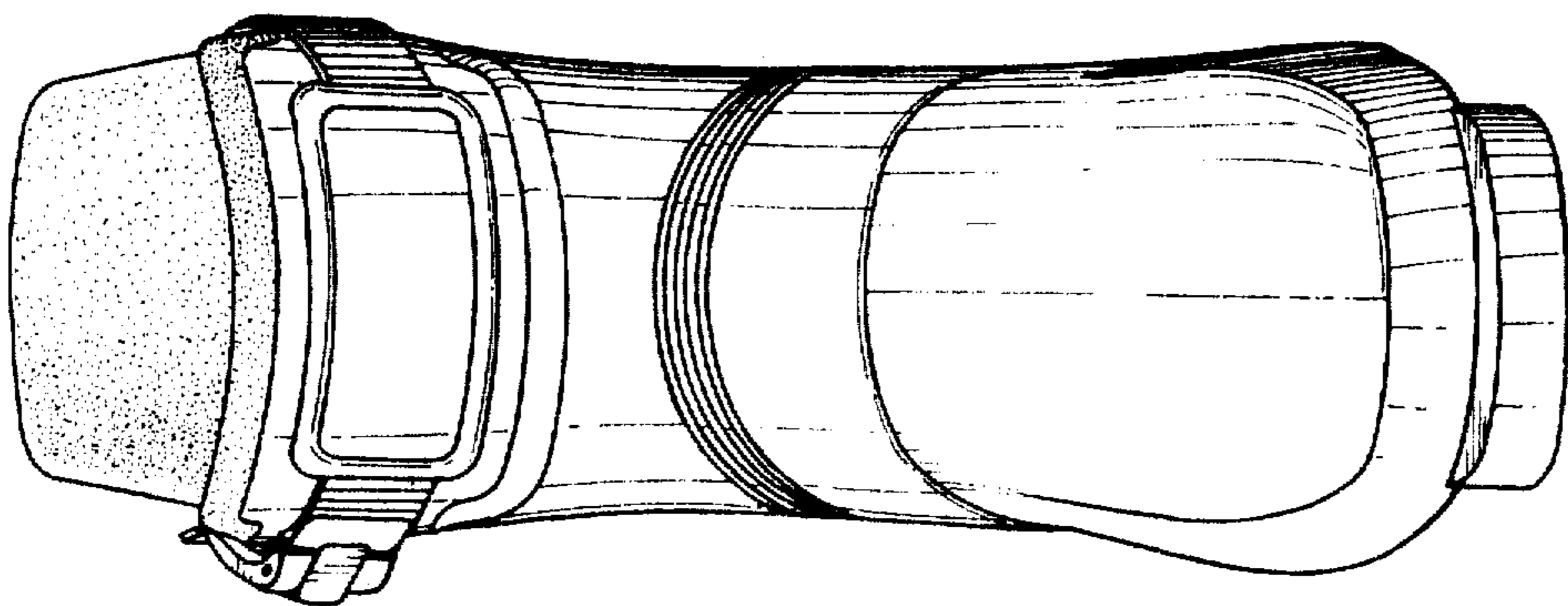


Fig. 2

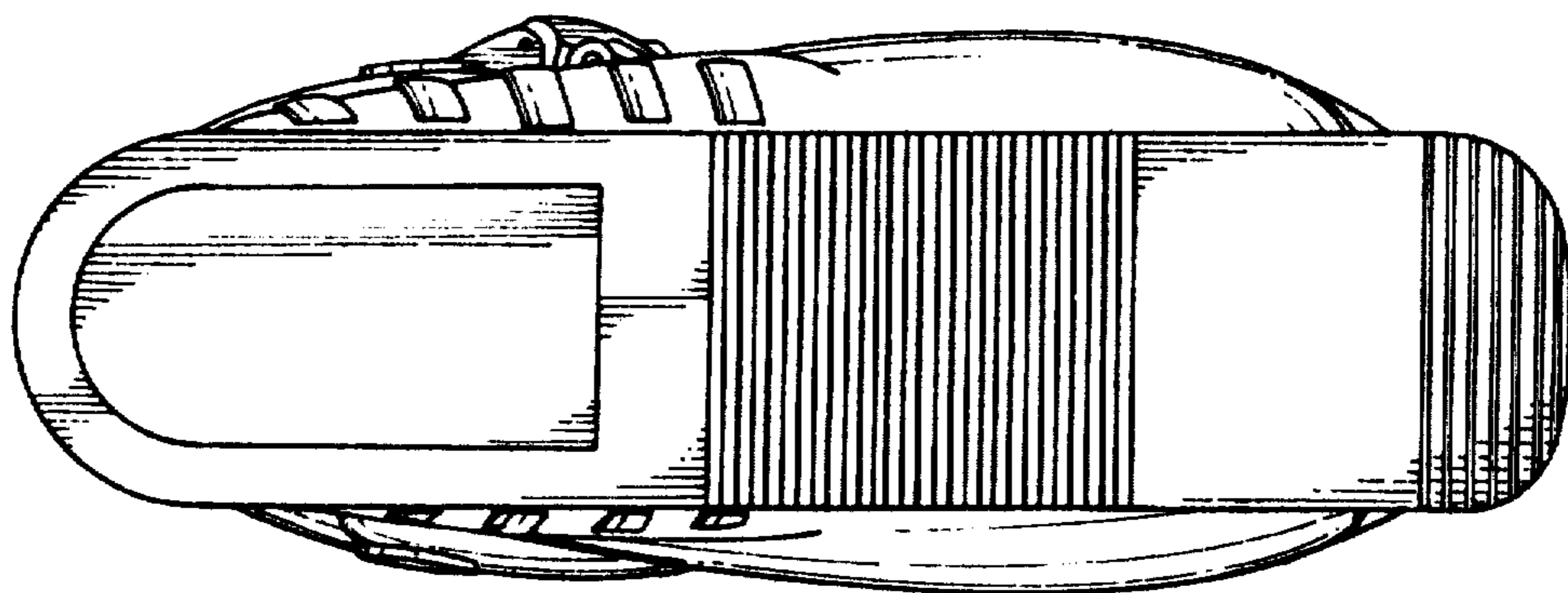


fig. 4

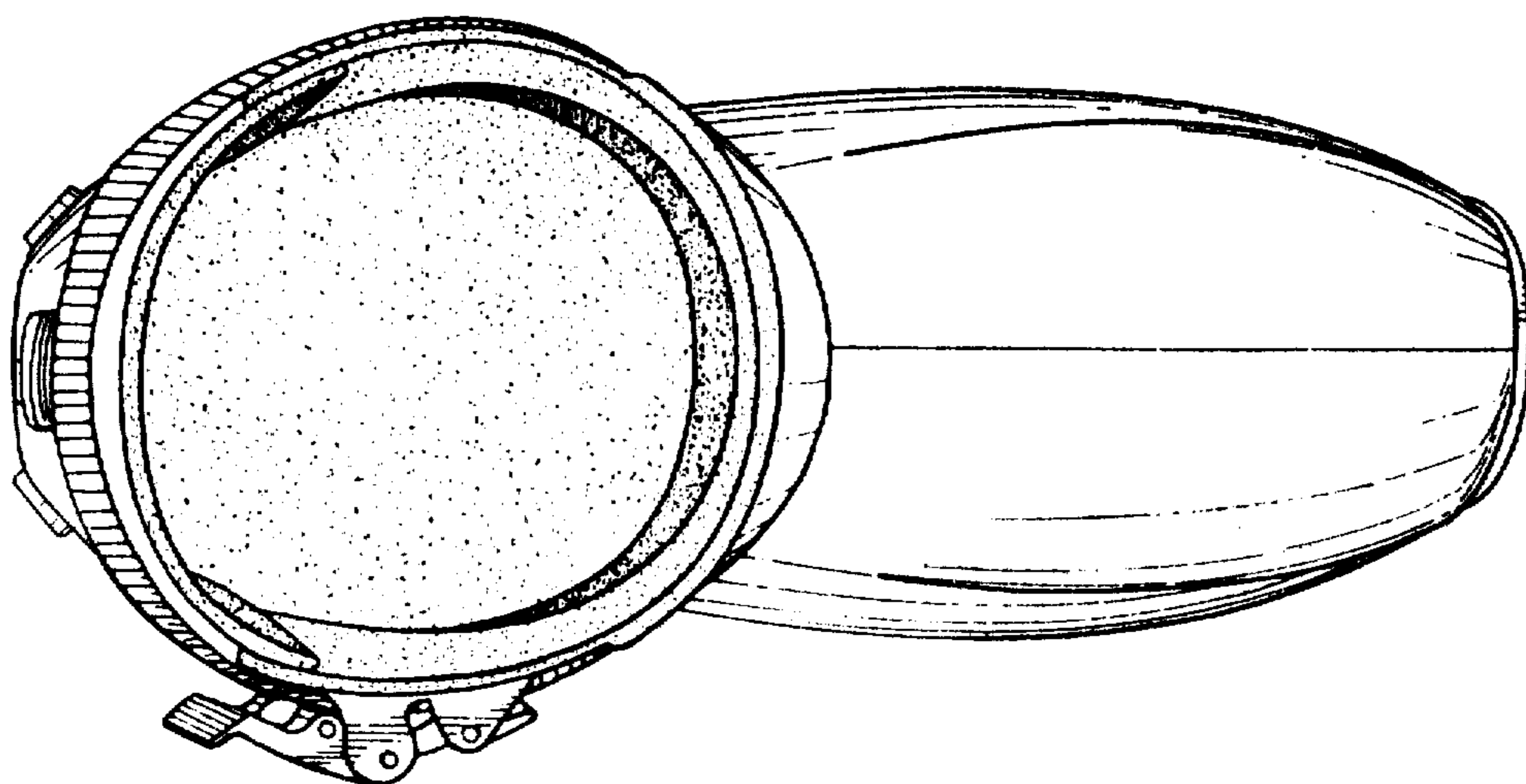


fig. 5