

[54] **POOL TABLE**

[75] Inventors: **Antonin Painchaud, Longueuil;**
Jean-Marc Painchaud, Ste-Julie, both
of Canada

[73] Assignee: **Beton Sports Canada Inc., St. Bruno,**
Canada

[**] Term: **14 Years**

[21] Appl. No.: **293,860**

[22] Filed: **Aug. 18, 1981**

[51] Int. Cl. **D21-01**

[52] U.S. Cl. **D21/232; D6/179**

[58] Field of Search **D21/232, 14; 273/3 R;**
D6/179

[56] **References Cited**

U.S. PATENT DOCUMENTS

- D. 206,170 11/1966 Anderson et al. D21/232
- D. 234,780 4/1975 Le Mieux D21/232

Primary Examiner—Melvin B. Feifer

[57] **CLAIM**

The ornamental design for a pool table, substantially as shown and described.

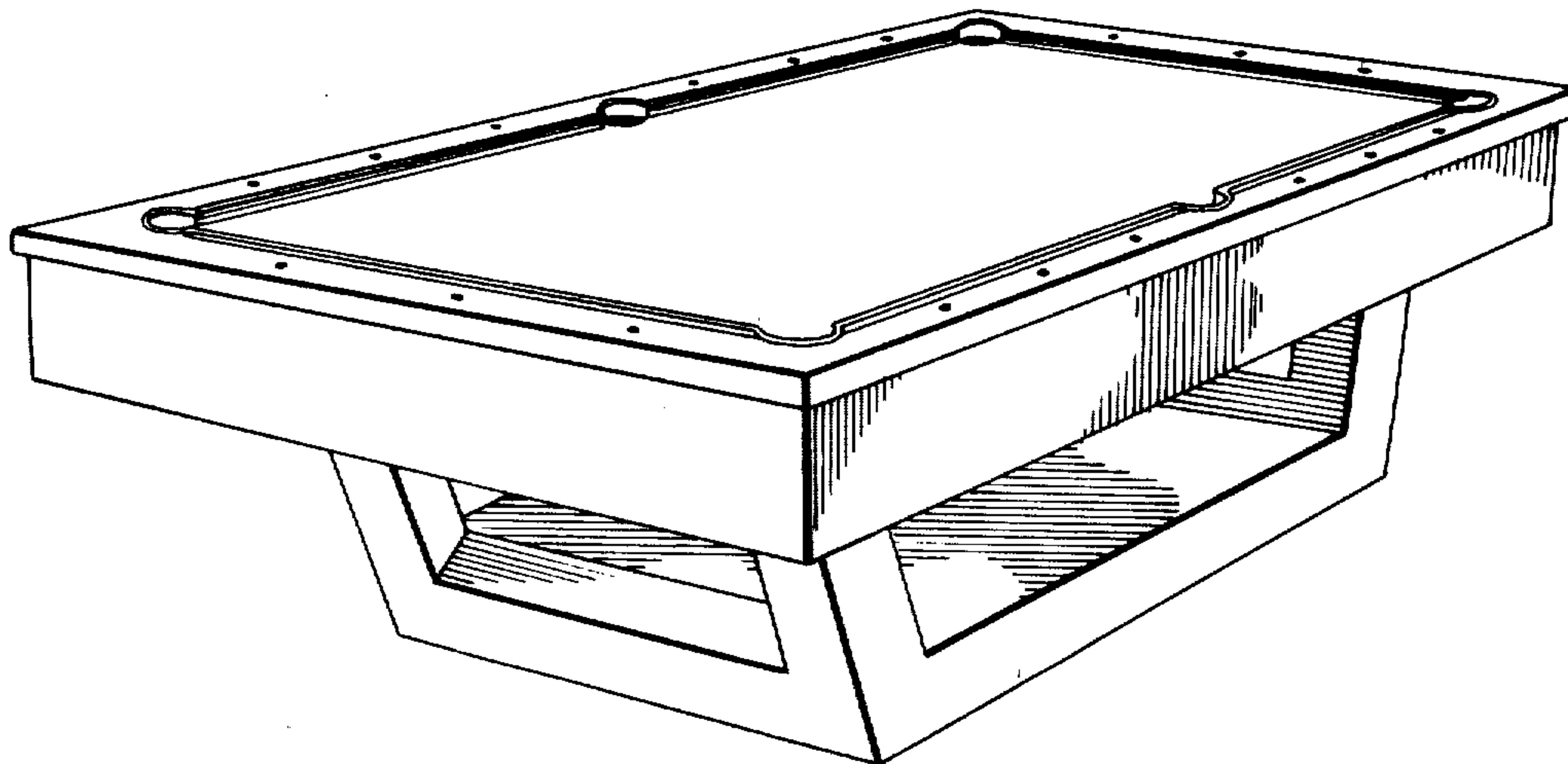
DESCRIPTION

FIG. 1 is a perspective view of a pool table, showing our new design;

FIG. 2 is a side elevational view thereof, the other side being substantially identical;

FIG. 3 is a top plan view thereof; and

FIG. 4 is a front elevational view thereof, the rear being substantially identical.



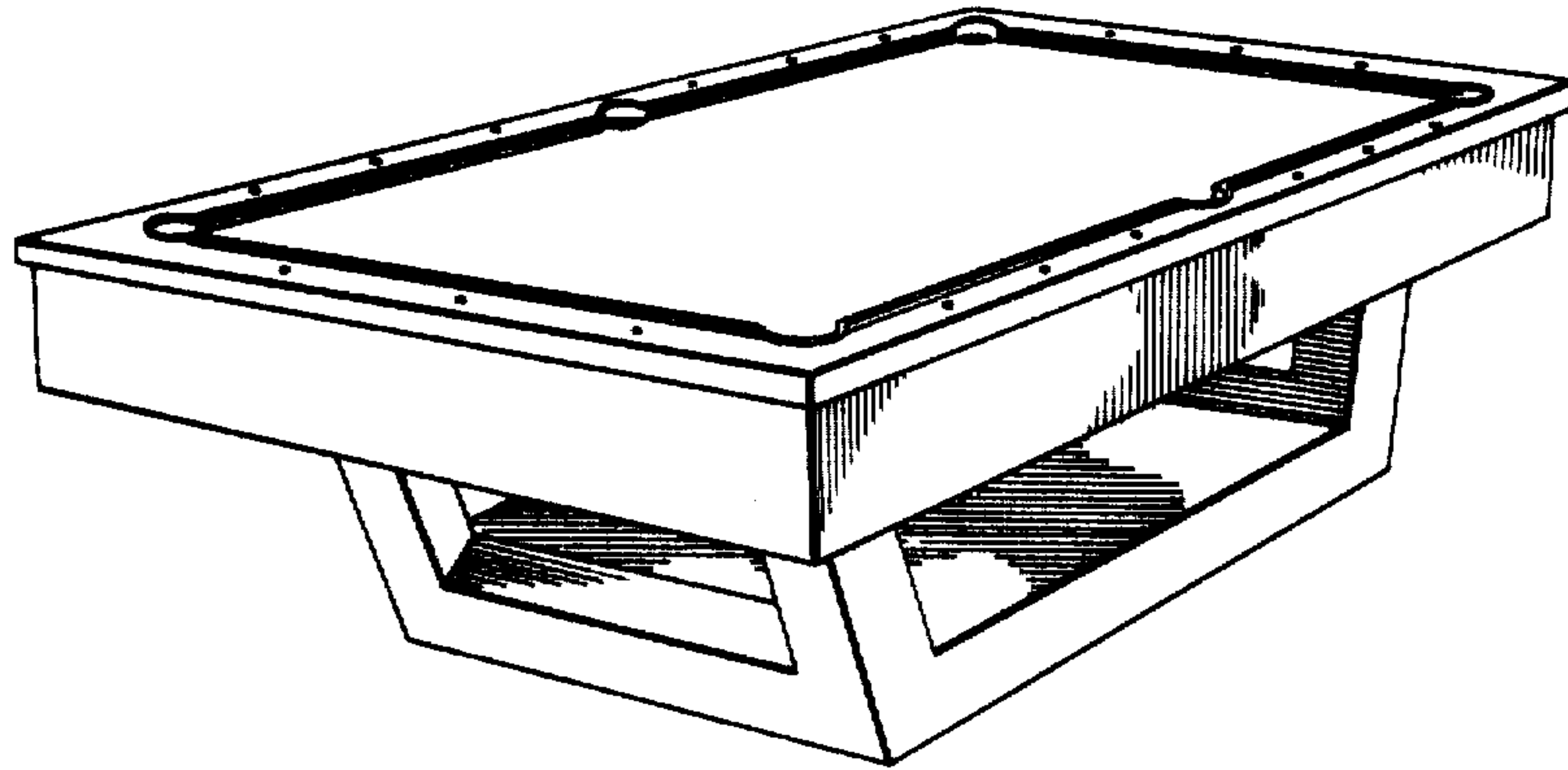


FIG. 1

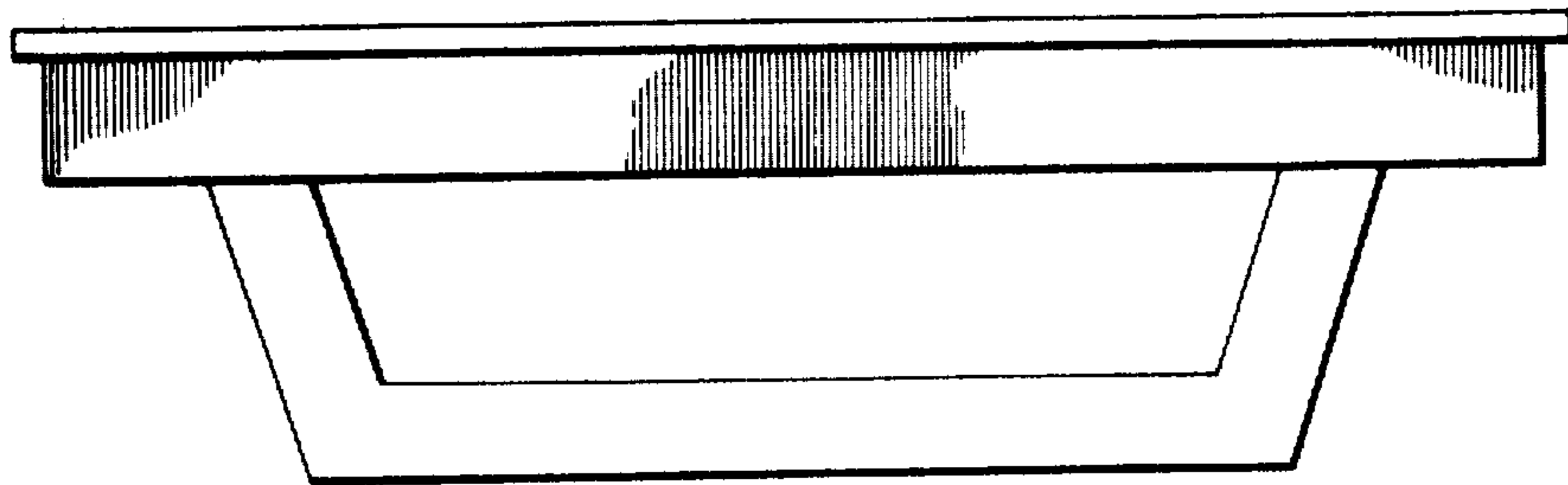


FIG. 2

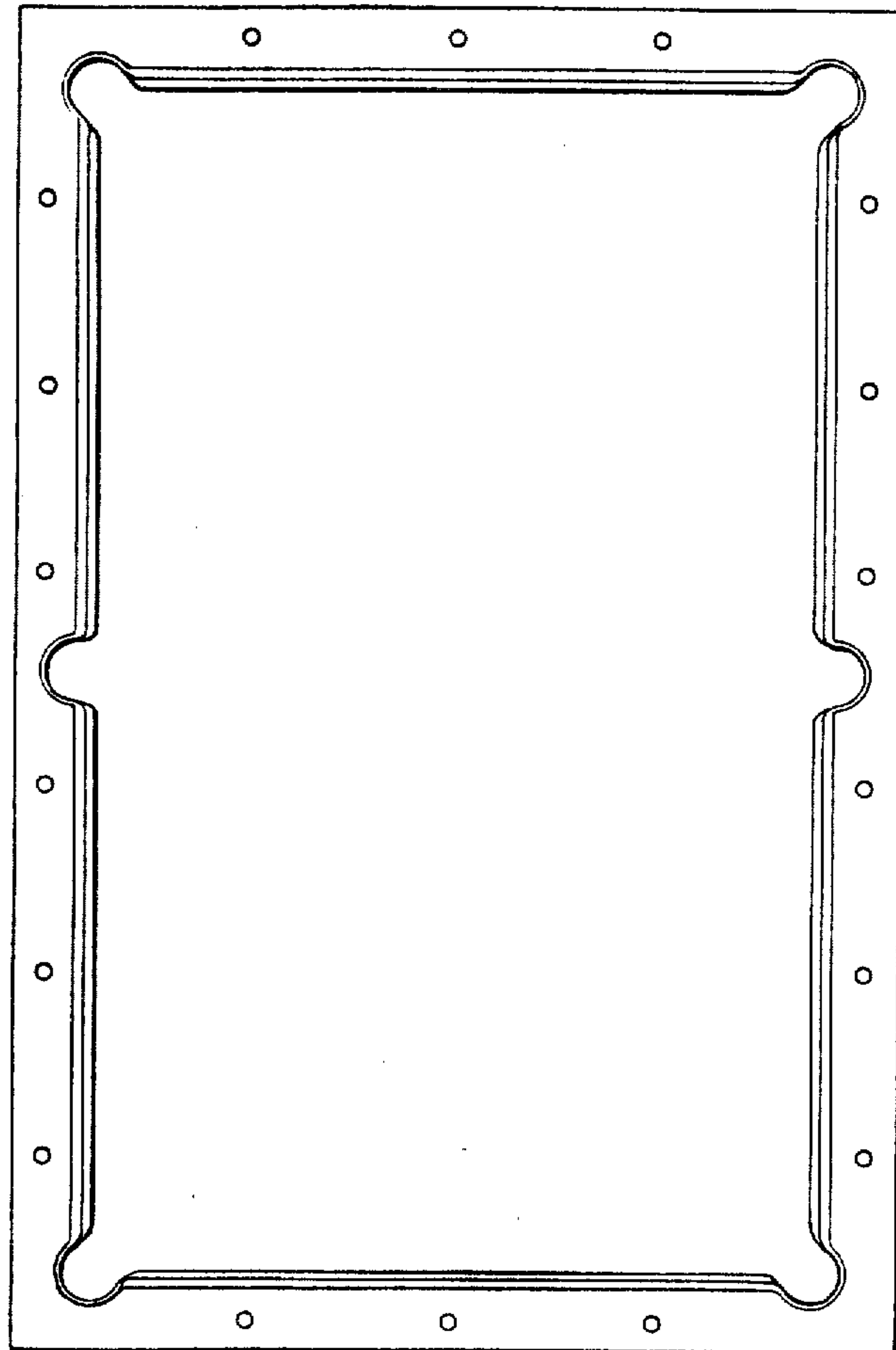


Fig. 3

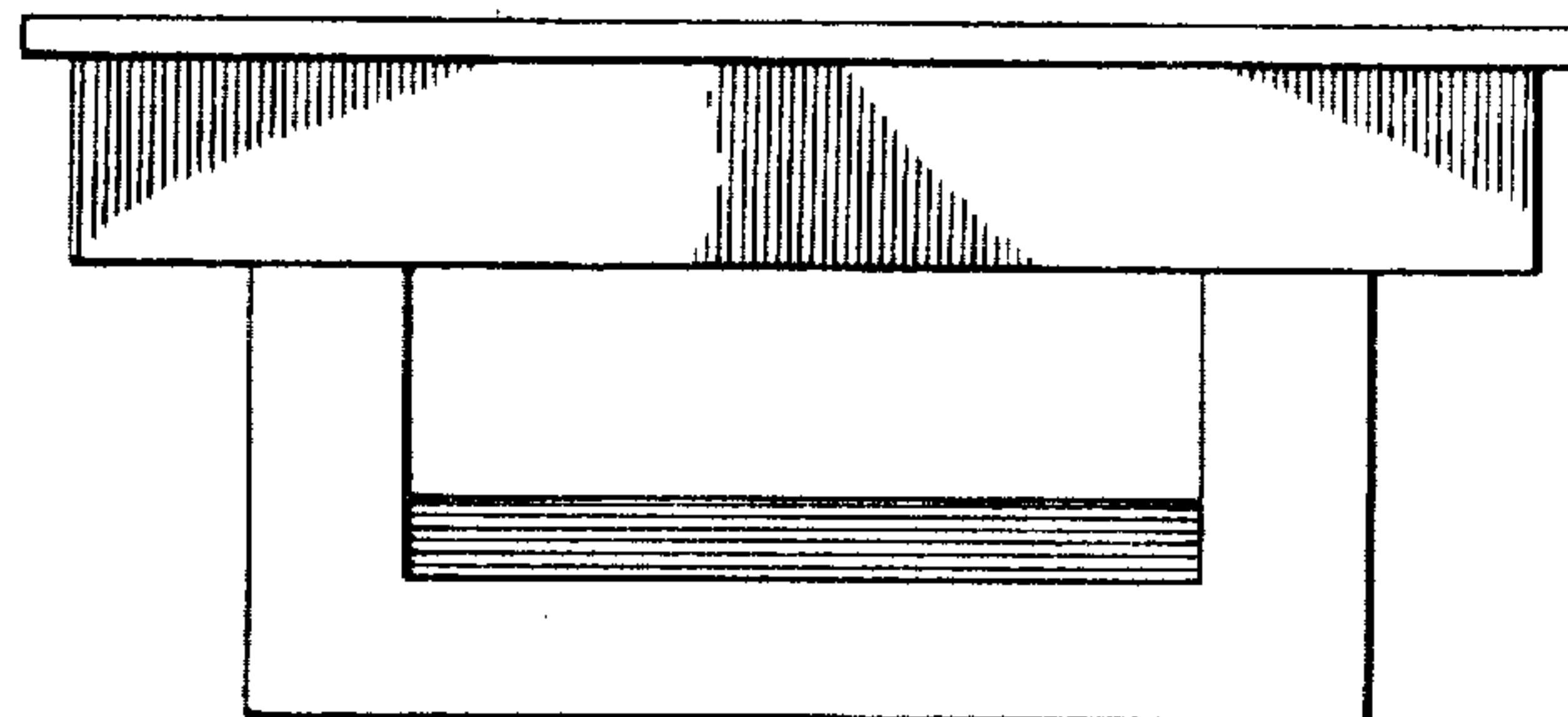


Fig. 4