

[54] TAXICAB ADVERTISING SIGN

[75] Inventors: Jules Nelson, Philadelphia; Jimmie Walker, Audobon; Joseph J. Rossi, Philadelphia; Samuel S. Leotta, Conshohocken, all of Pa.

[73] Assignee: American Mobile Advertising Corp., Philadelphia, Pa.

[\*\*] Term: 14 Years

[21] Appl. No.: 297,698

[22] Filed: Aug. 31, 1981

[51] Int. Cl. .... D20-03

[52] U.S. Cl. .... D20/10; D10/109; D10/113

[58] Field of Search ..... D20/10; D10/109, 113; 40/591, 592

[56] References Cited

U.S. PATENT DOCUMENTS

2,825,799	3/1958	Julien	40/592 X
3,440,748	4/1969	Hackley	40/592
3,633,299	1/1972	Westin	40/592
3,828,456	8/1974	Rose	40/592
4,052,806	10/1977	George	40/592 X

Primary Examiner—Catherine E. Kemper  
Attorney, Agent, or Firm—Duffield & Lehrer

[57] CLAIM

The ornamental design for a taxicab advertising sign, substantially as shown and described.

DESCRIPTION

FIG. 1 is a front and top perspective view of an ornamental design for a "taxicab advertising sign" showing our new design;

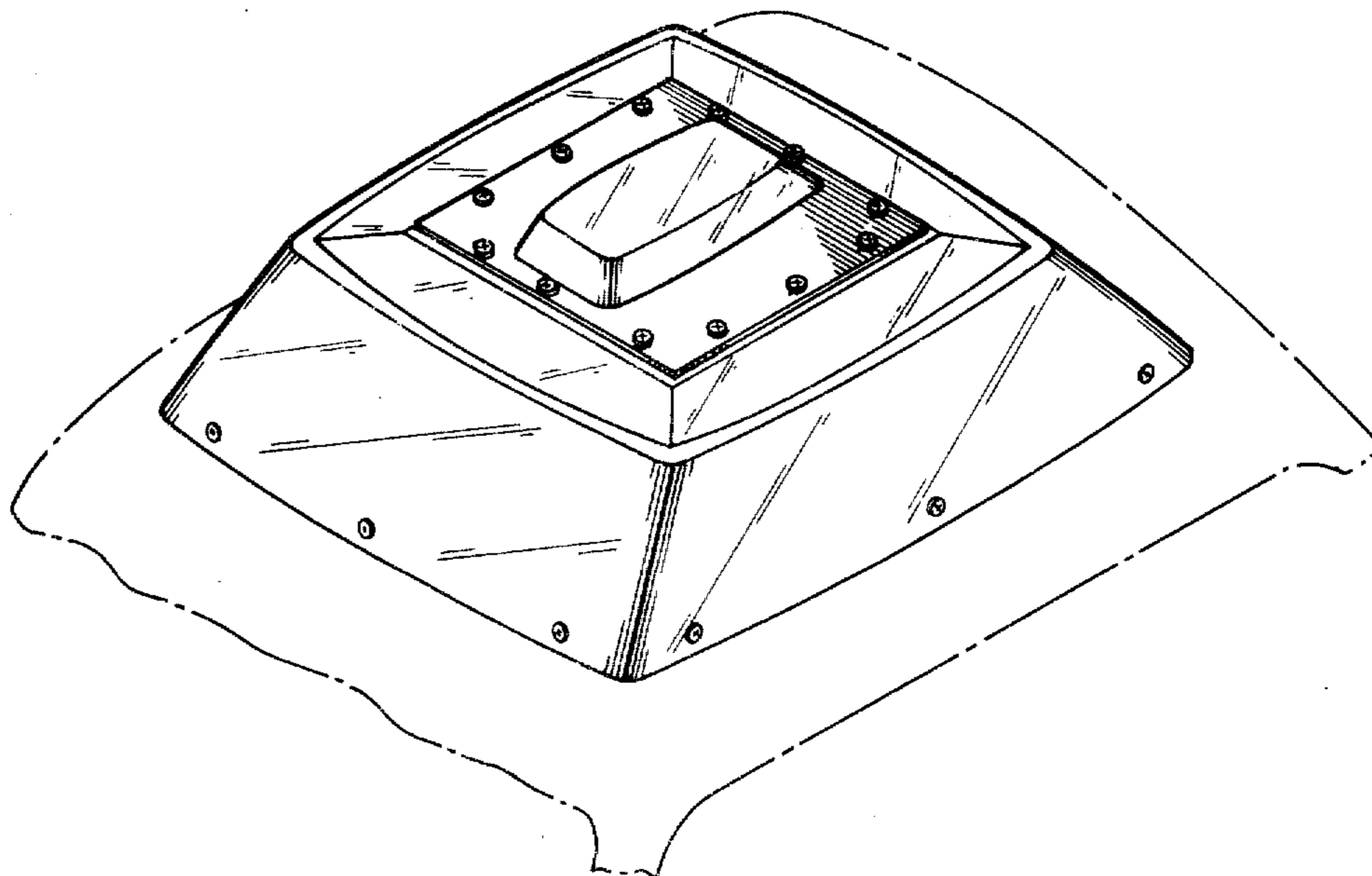
FIG. 2 is a top plan view thereof;

FIG. 3 is a bottom plan view thereof;

FIG. 4 is a front end elevational view thereof; and

FIG. 5 is a side elevational view thereof.

The broken line disclosure in FIG. 1 is for illustrative purposes only and forms no part of the claimed design.



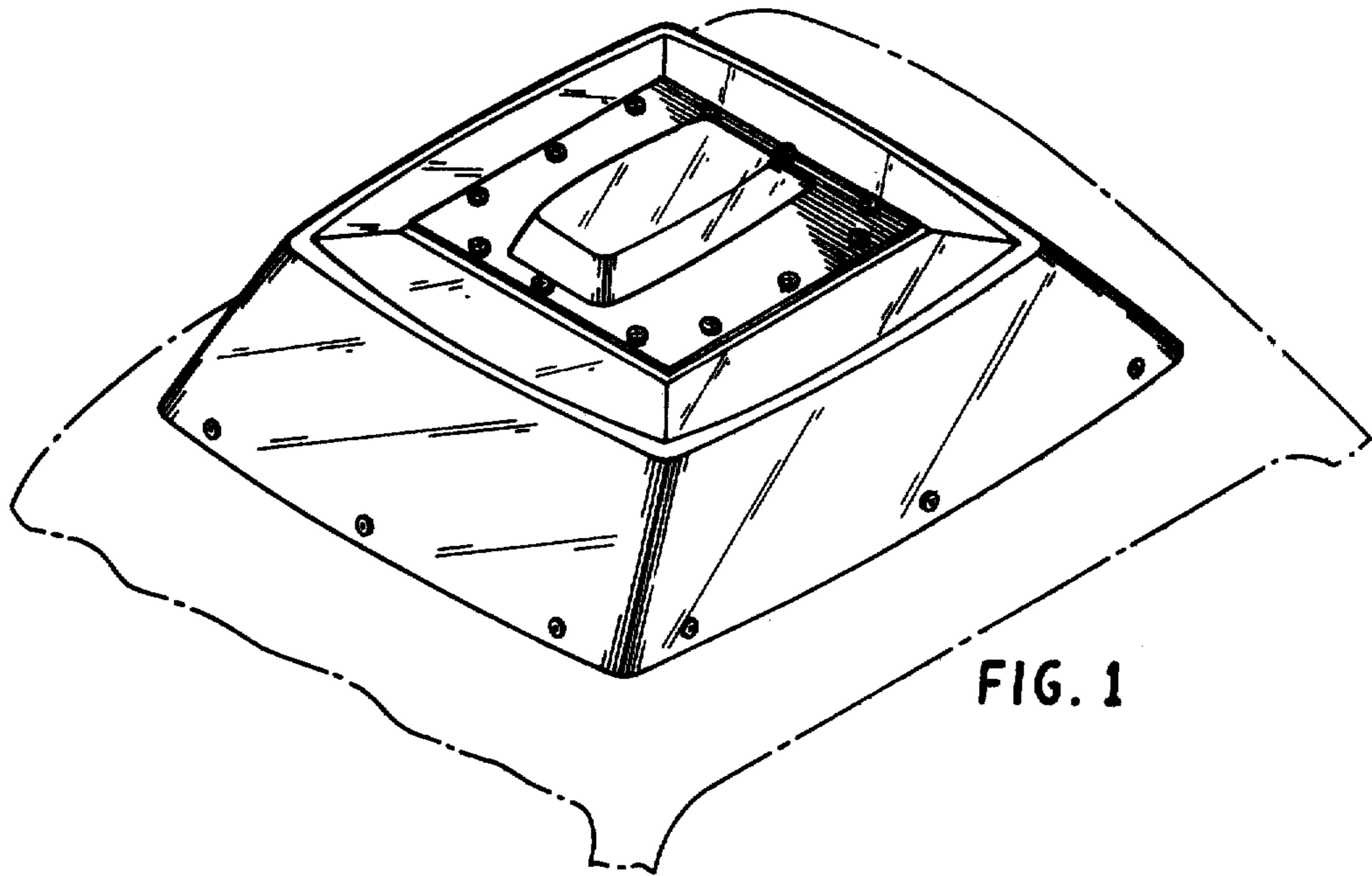


FIG. 1

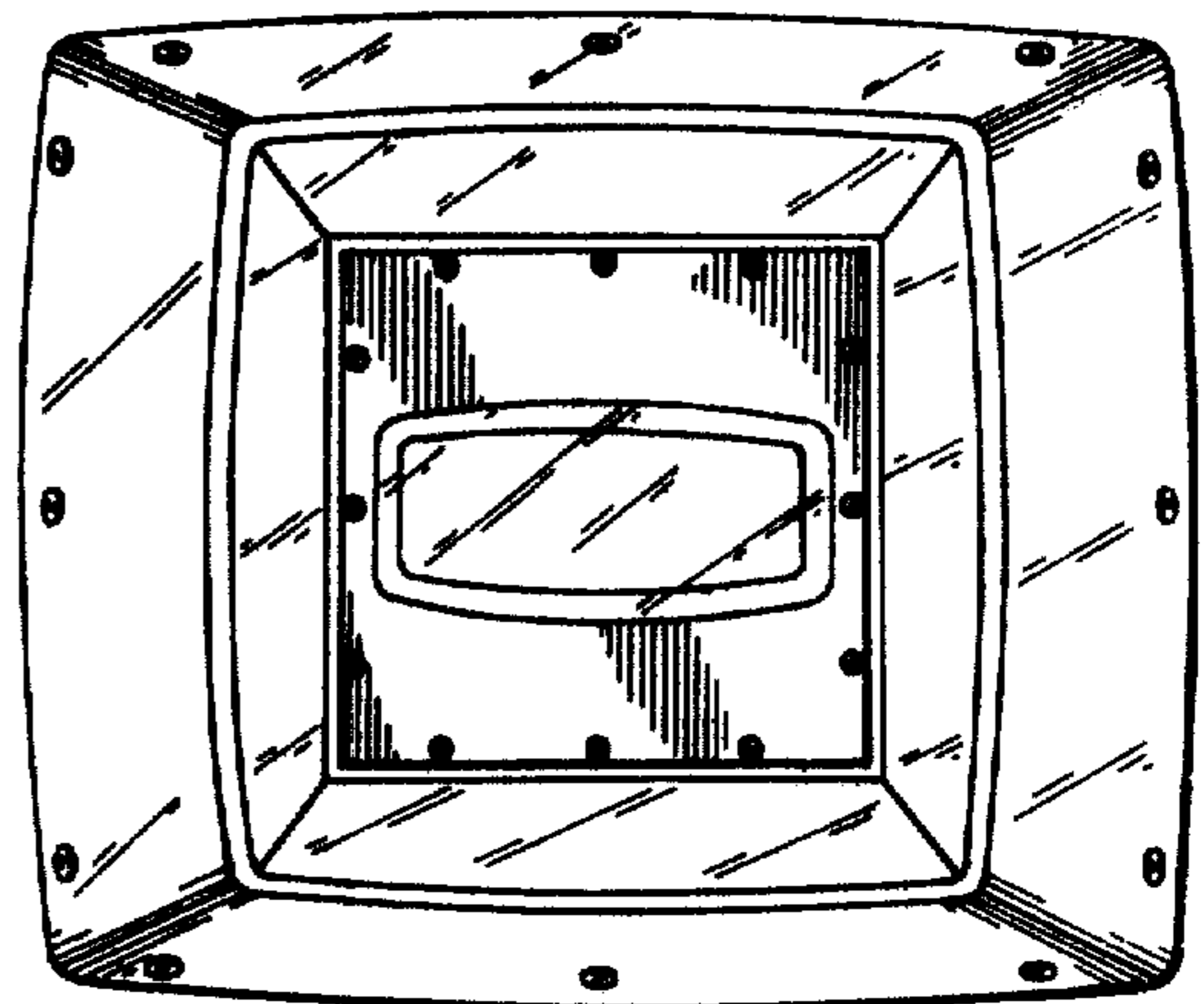


FIG. 2

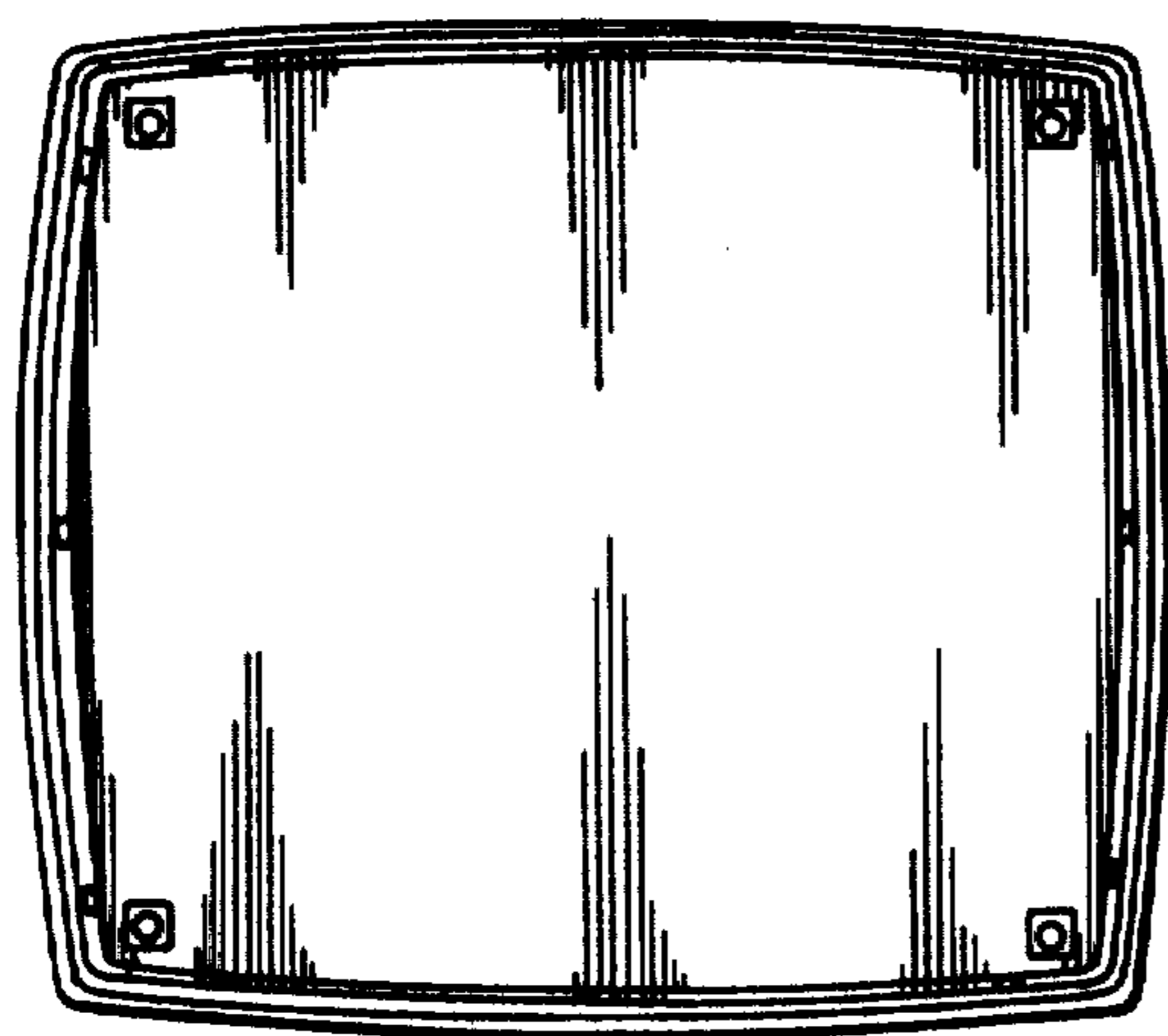


FIG. 3

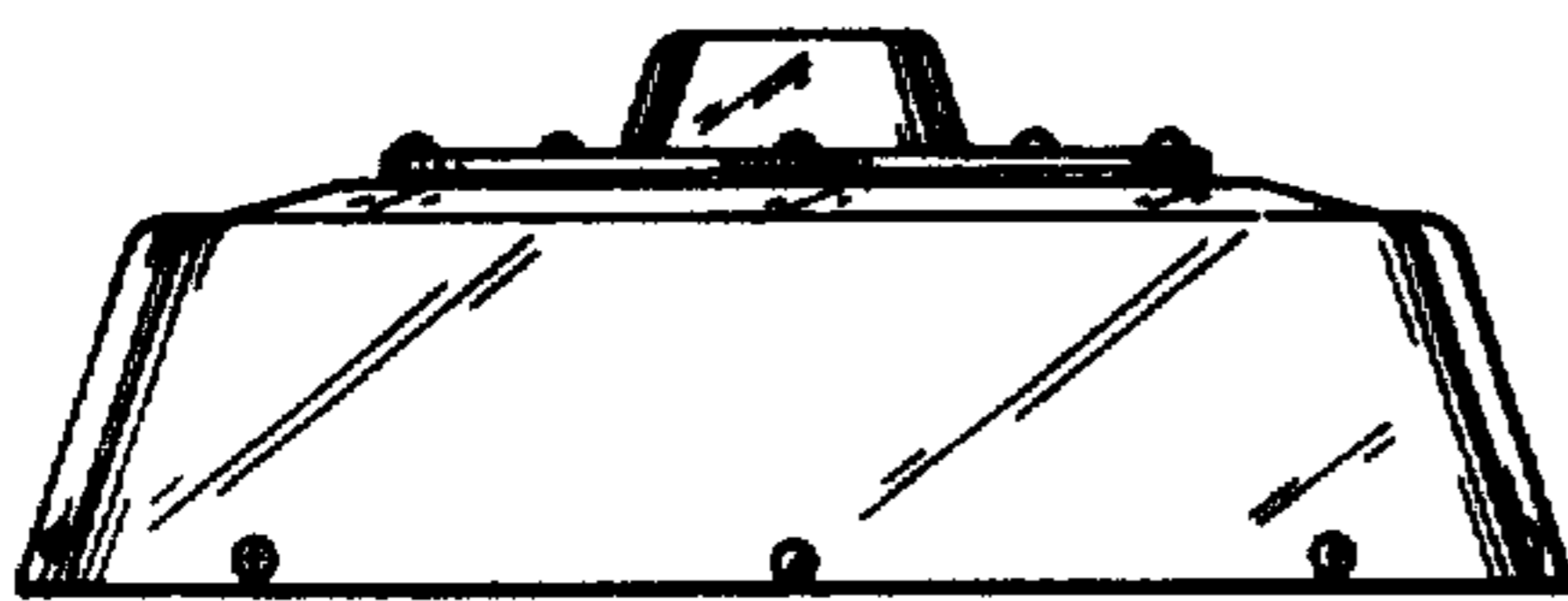


FIG. 4

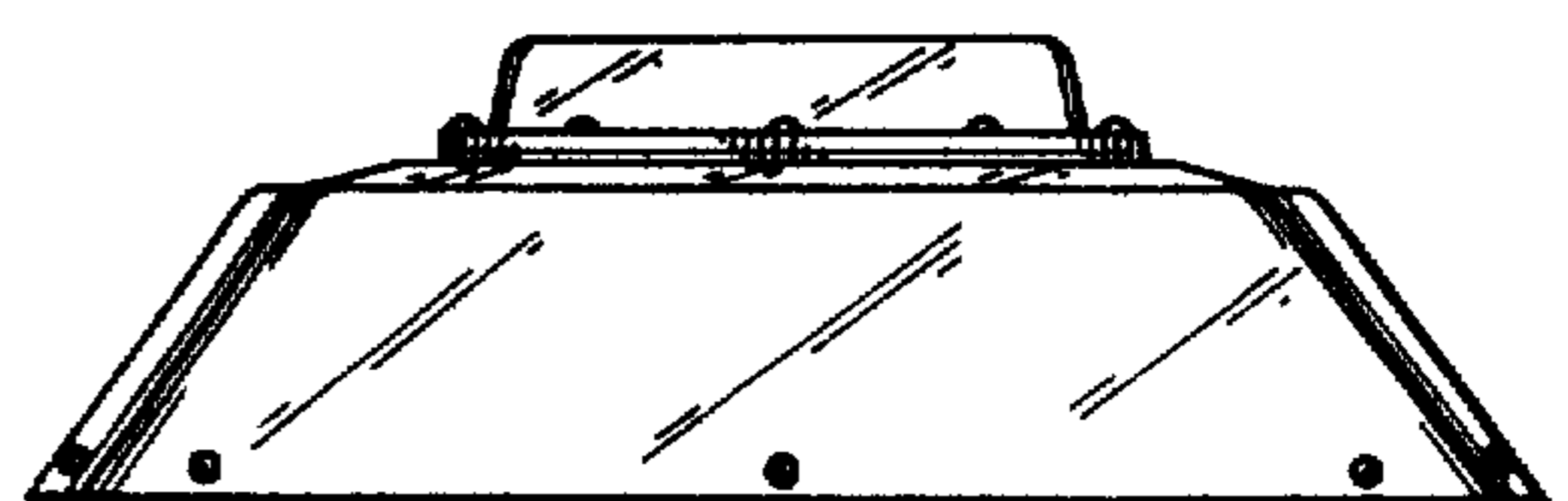


FIG. 5