

- [54] **NOTEPAPER PAD HOLDER**
- [75] **Inventor:** Walter C. Pearson, St. Paul, Minn.
- [73] **Assignee:** Minnesota Mining & Manufacturing Company, St. Paul, Minn.
- [**] **Term:** 14 Years
- [21] **Appl. No.:** 289,773
- [22] **Filed:** Aug. 3, 1981
- [51] **Int. Cl.** D19-02
- [52] **U.S. Cl.** D19/86; D19/22; D19/76; D19/92
- [58] **Field of Search** D19/22, 23, 75, 76-78, D19/86, 91, 92; D3/30.1, 78; 40/371, 372

- D. 240,420 7/1976 Hegemann D19/76
- D. 250,437 12/1978 Korpjaakko D19/75

OTHER PUBLICATIONS

Park Sherman Cat., 1979/80, p. 20, Item No. 375 BIC.

Primary Examiner—George P. Word
Attorney, Agent, or Firm—Cruzan Alexander; Donald M. Sell; John C. Barnes

[56] **References Cited**

U.S. PATENT DOCUMENTS

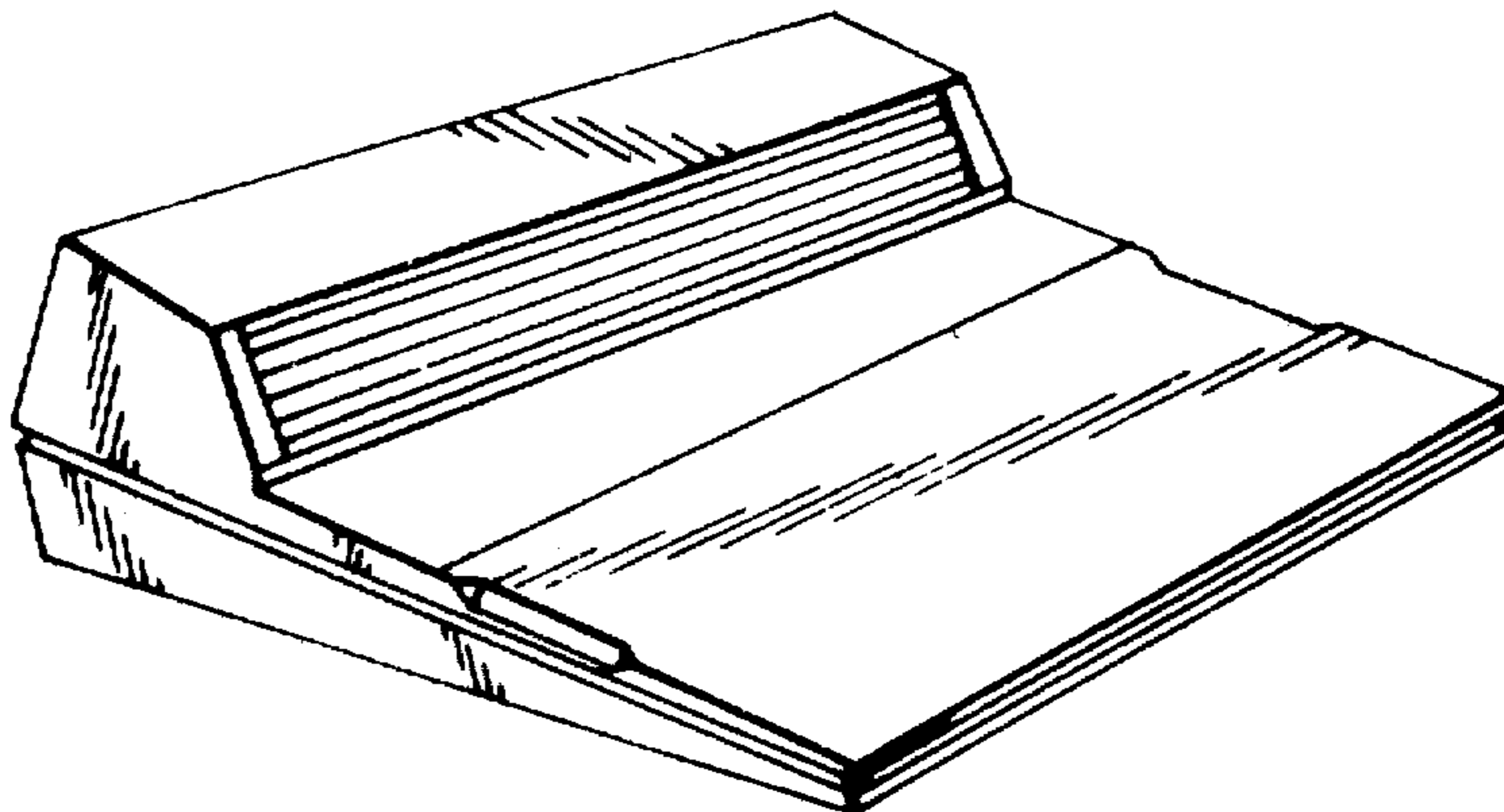
- D. 188,831 9/1960 Olson D19/92
- D. 206,698 1/1967 Edwards D19/78
- D. 209,882 1/1968 Anderson D19/75
- D. 226,288 2/1973 Greif D19/76

[57] **CLAIM**

The ornamental design for a notepaper pad holder, substantially as shown.

DESCRIPTION

FIG. 1 is a perspective view of a notepaper pad holder, showing my new design;
FIG. 2 is a top plan view thereof;
FIG. 3 is a right side elevational view, the left side being a mirror image thereof;
FIG. 4 is a front elevational view thereof;
FIG. 5 is a rear elevational view thereof; and
FIG. 6 is a bottom plan view thereof.



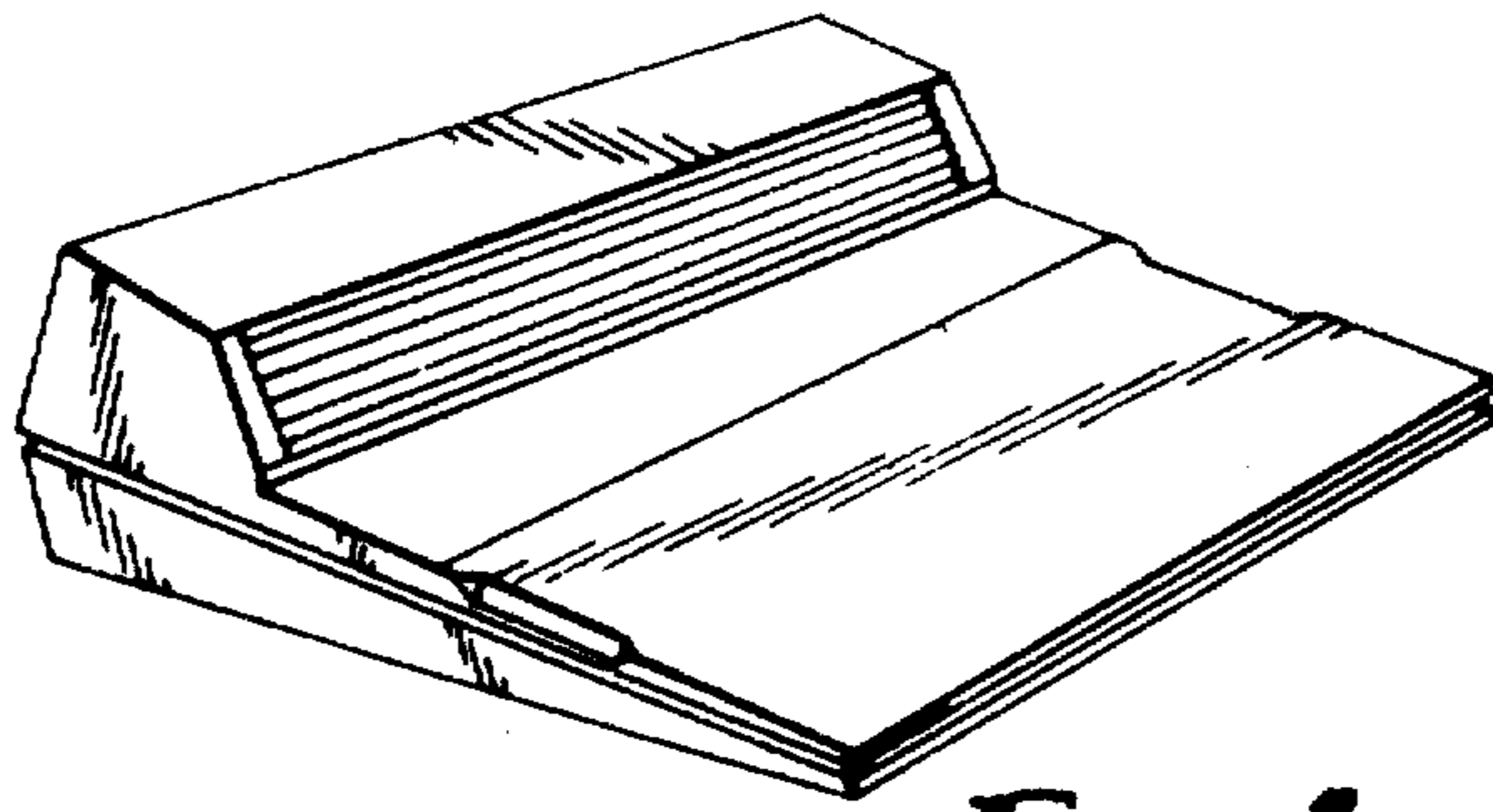


FIG. 1

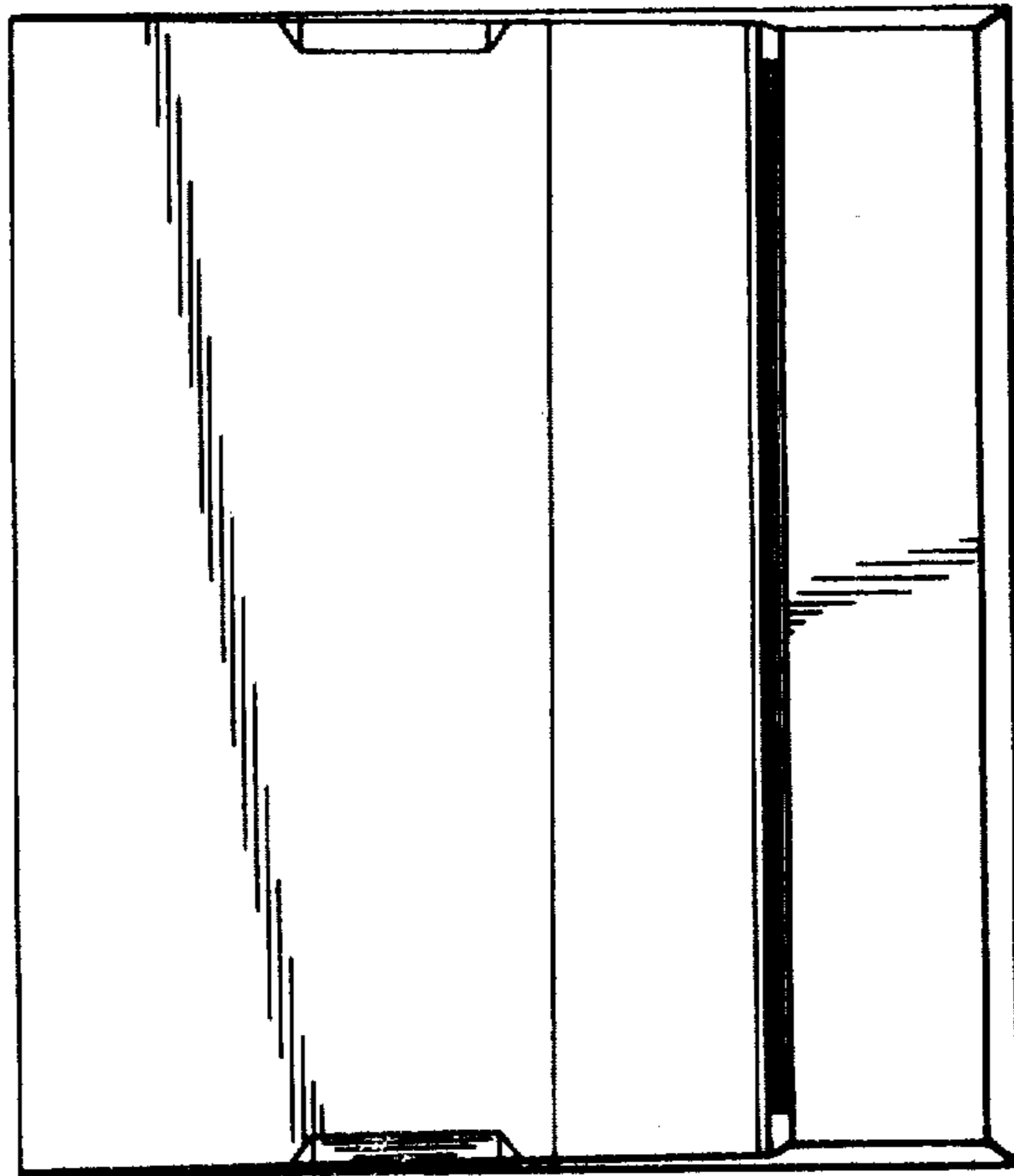


FIG. 2

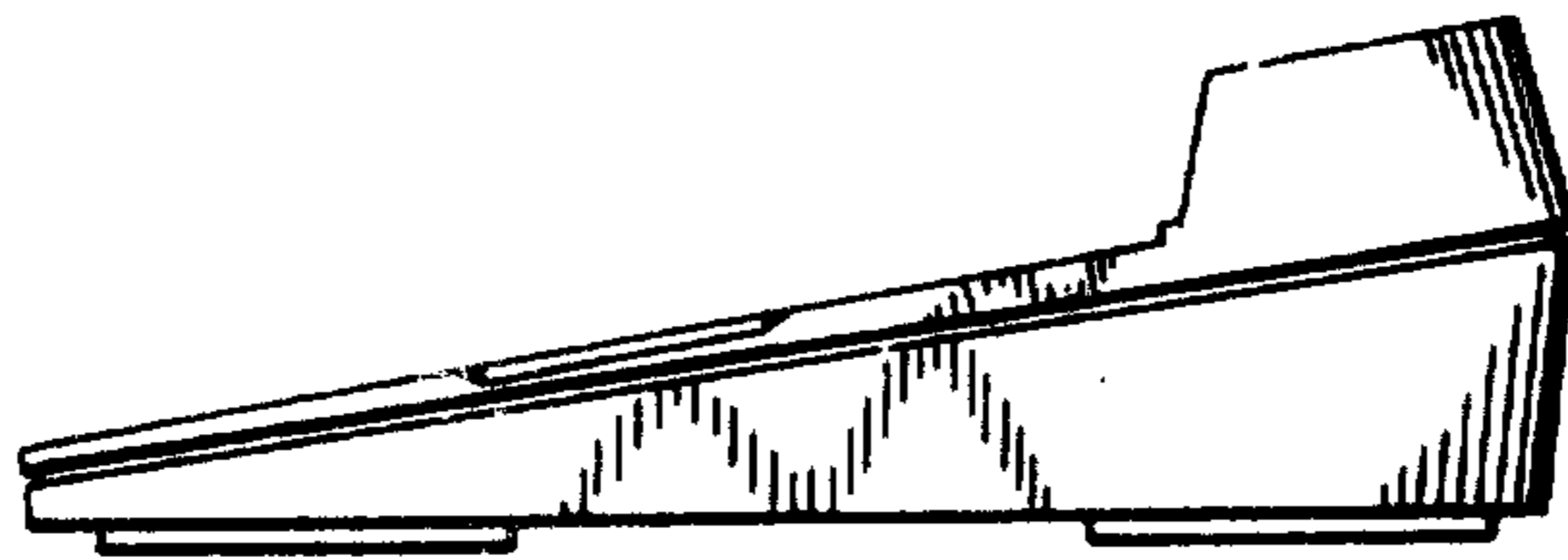


FIG. 3

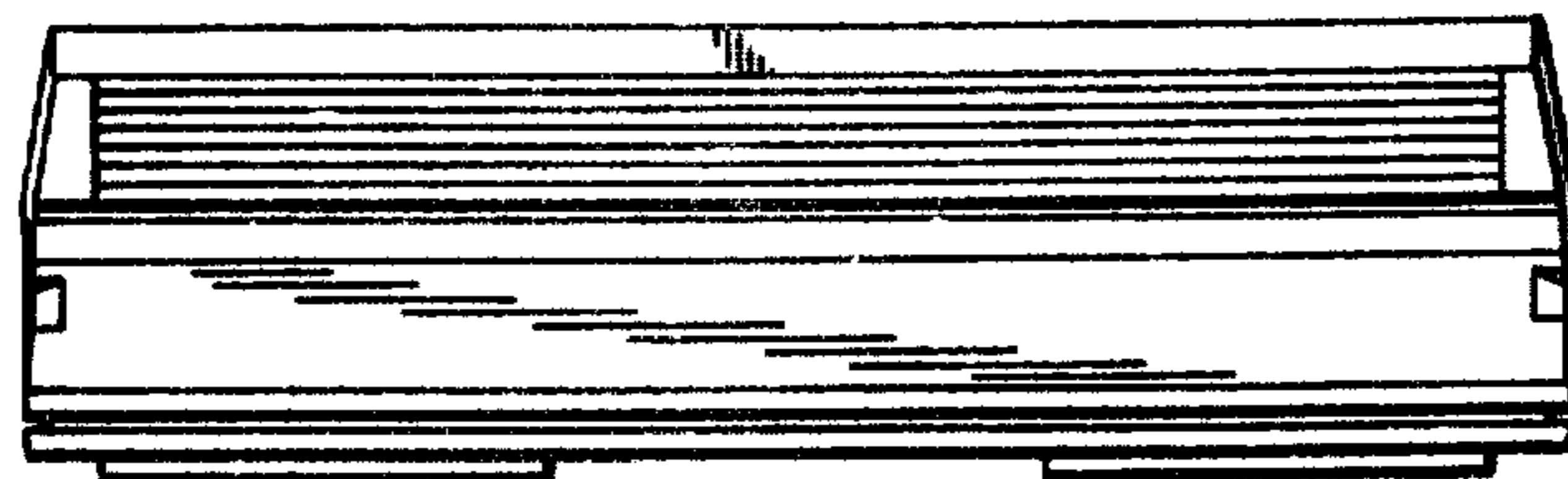


FIG. 4

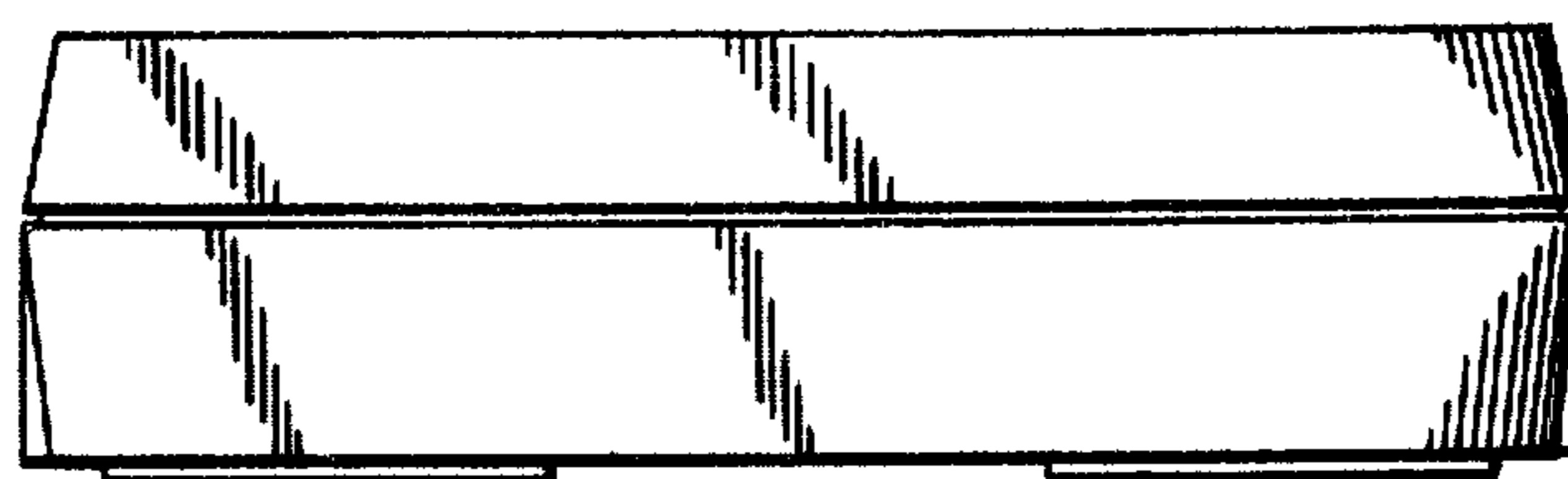


FIG. 5

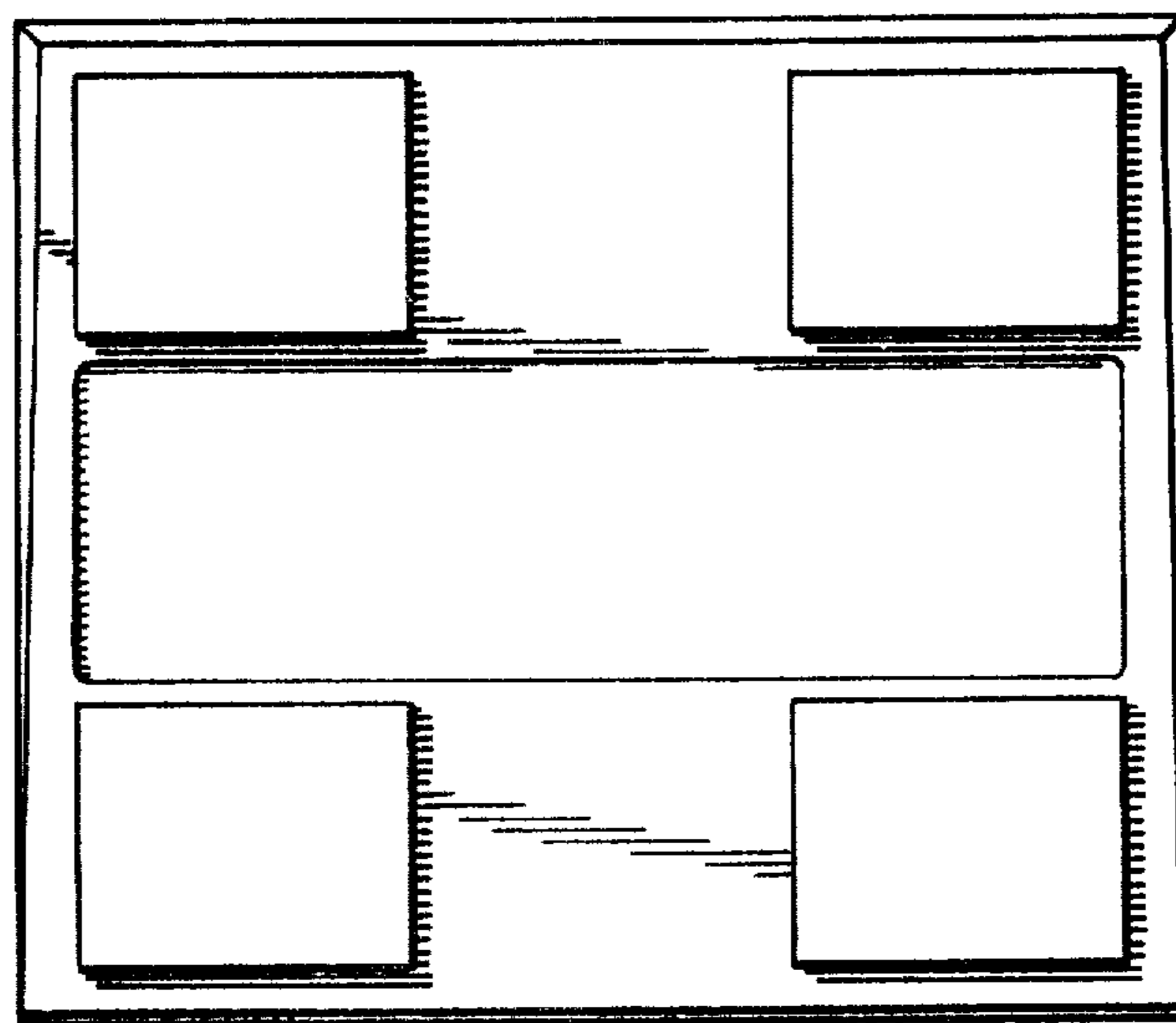


FIG. 6