

[54] PROCESSOR FOR FILM PRINTS

[75] Inventor: Ralph M. Vigna, Rochester, N.Y.

[73] Assignee: Eastman Kodak Company, Rochester, N.Y.

[\*\*] Term: 14 Years

[21] Appl. No.: 265,753

[22] Filed: May 21, 1981

[51] Int. Cl. .... D16-04

[52] U.S. Cl. .... D16/33

[58] Field of Search ..... D16/29, 33, 34, 37, D16/35; 354/301, 302, 305

[56] References Cited

U.S. PATENT DOCUMENTS

- D. 115,307 6/1939 Breingan ..... D16/33
- D. 192,981 6/1962 Durand ..... D16/29
- D. 198,549 6/1964 Graw ..... D16/34

- D. 210,983 5/1968 Lee ..... D16/34
- D. 213,919 4/1969 Nast ..... D16/37
- D. 234,627 3/1975 Vigna ..... D16/34
- 3,257,927 6/1966 DeBelder ..... 354/302
- 3,604,332 9/1971 Mitchell ..... D16/33 X
- 3,616,741 11/1971 Simioni ..... 354/302
- 3,722,394 3/1973 Sebastian ..... 95/95
- 4,361,392 11/1982 Hutchinson ..... 354/302

OTHER PUBLICATIONS

*Kodakery*-4/2/81-Cover-Processor at lower-right.

*Primary Examiner*-Nelson C. Holtje

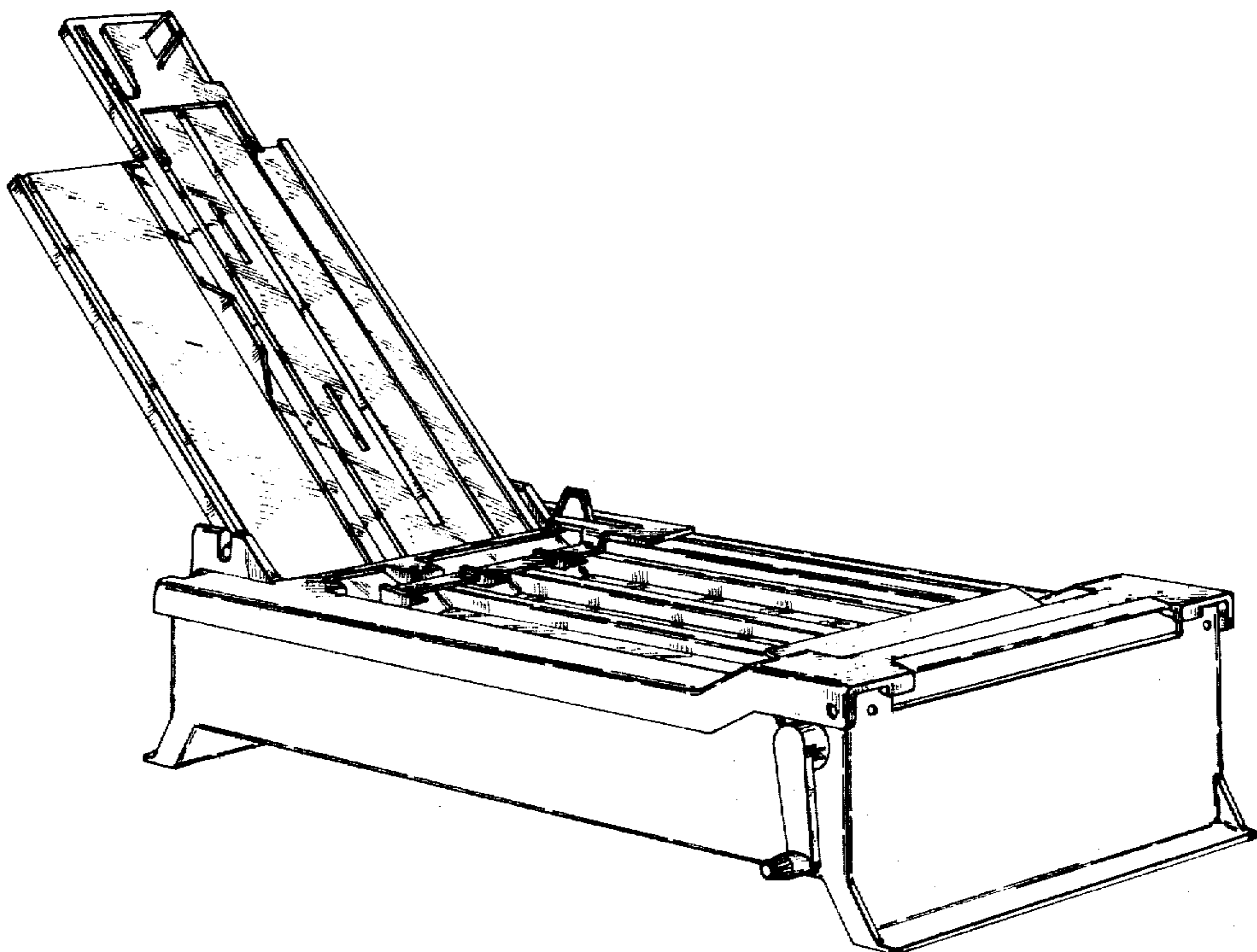
*Attorney, Agent, or Firm*-Roger A. Fields

[57] CLAIM

The ornamental design for a processor for film prints, substantially as shown and described.

DESCRIPTION

FIG. 1 is a front perspective view of a processor for film prints showing my new design; and FIG. 2 is a rear perspective view thereof.



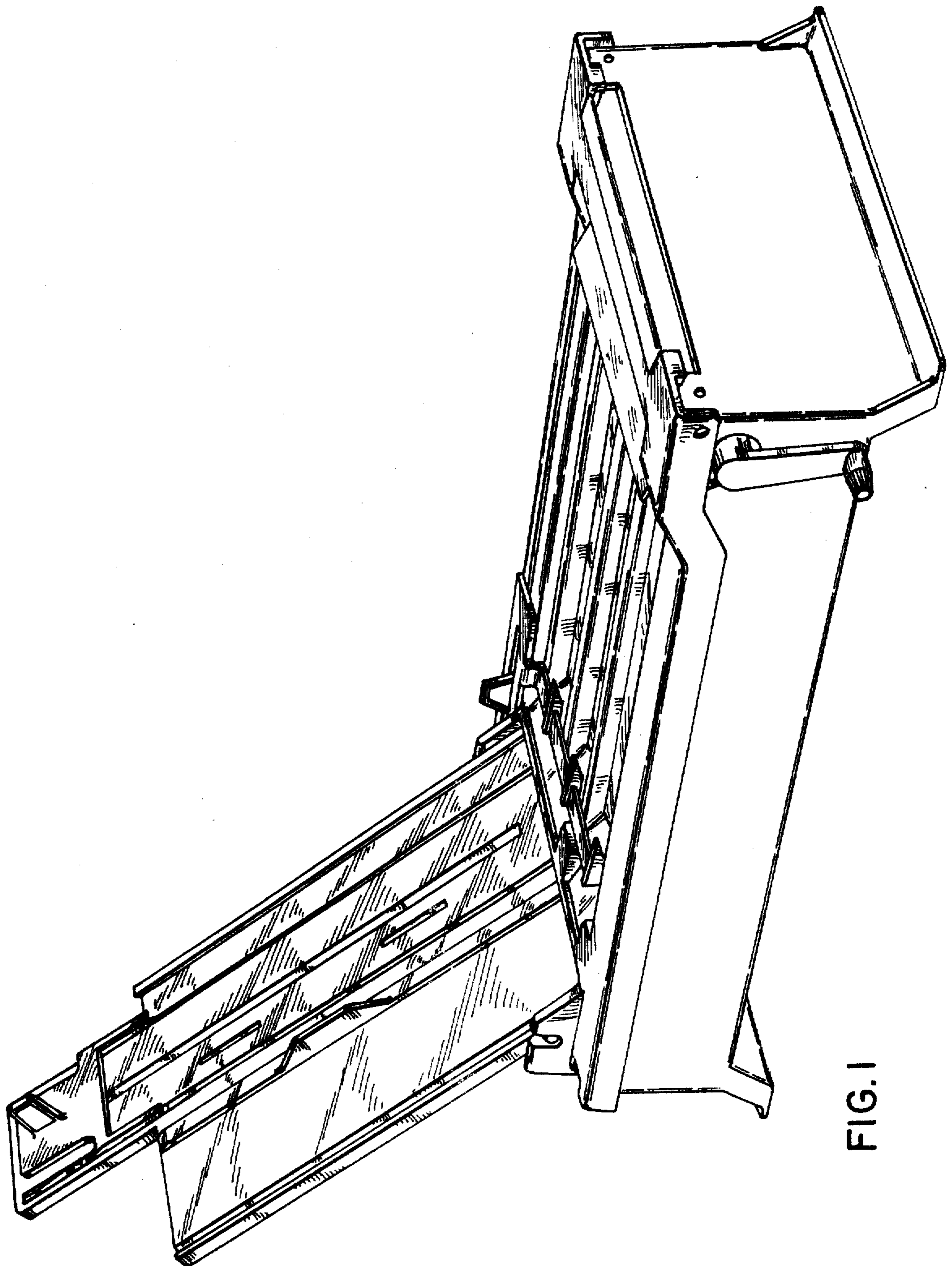


FIG. 1

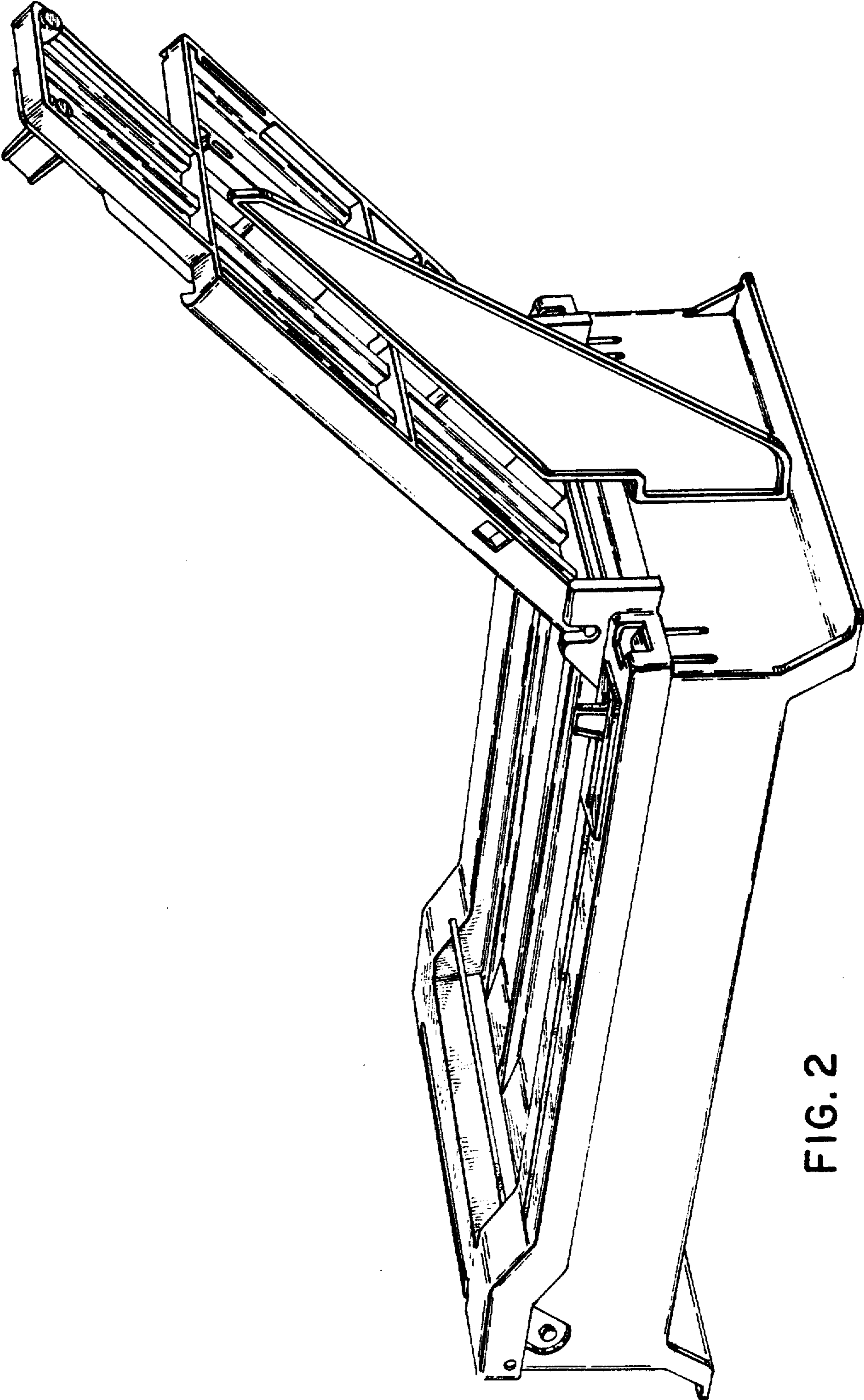


FIG. 2