

[54] CRANK DISC FOR A HIGH REFUSE WET WASHING COAL JIG

[75] Inventor: Wilbur W. Bagby, Birmingham, Ala.

[73] Assignee: Bagby Engineering Co., Birmingham, Ala.

[**] Term: 14 Years

[21] Appl. No.: 189,636

[22] Filed: Sep. 22, 1980

[51] Int. Cl. D15-99

[52] U.S. Cl. D15/147; D15/138

[58] Field of Search D15/138, 199; 74/595, 74/596, 600; 74/50, 69

[56] References Cited

U.S. PATENT DOCUMENTS

811,426 1/1906 Mitchell 74/600
1,563,669 12/1925 Snyder 74/600

2,220,872 11/1940 Toop 74/50

Primary Examiner—B. J. Bullock

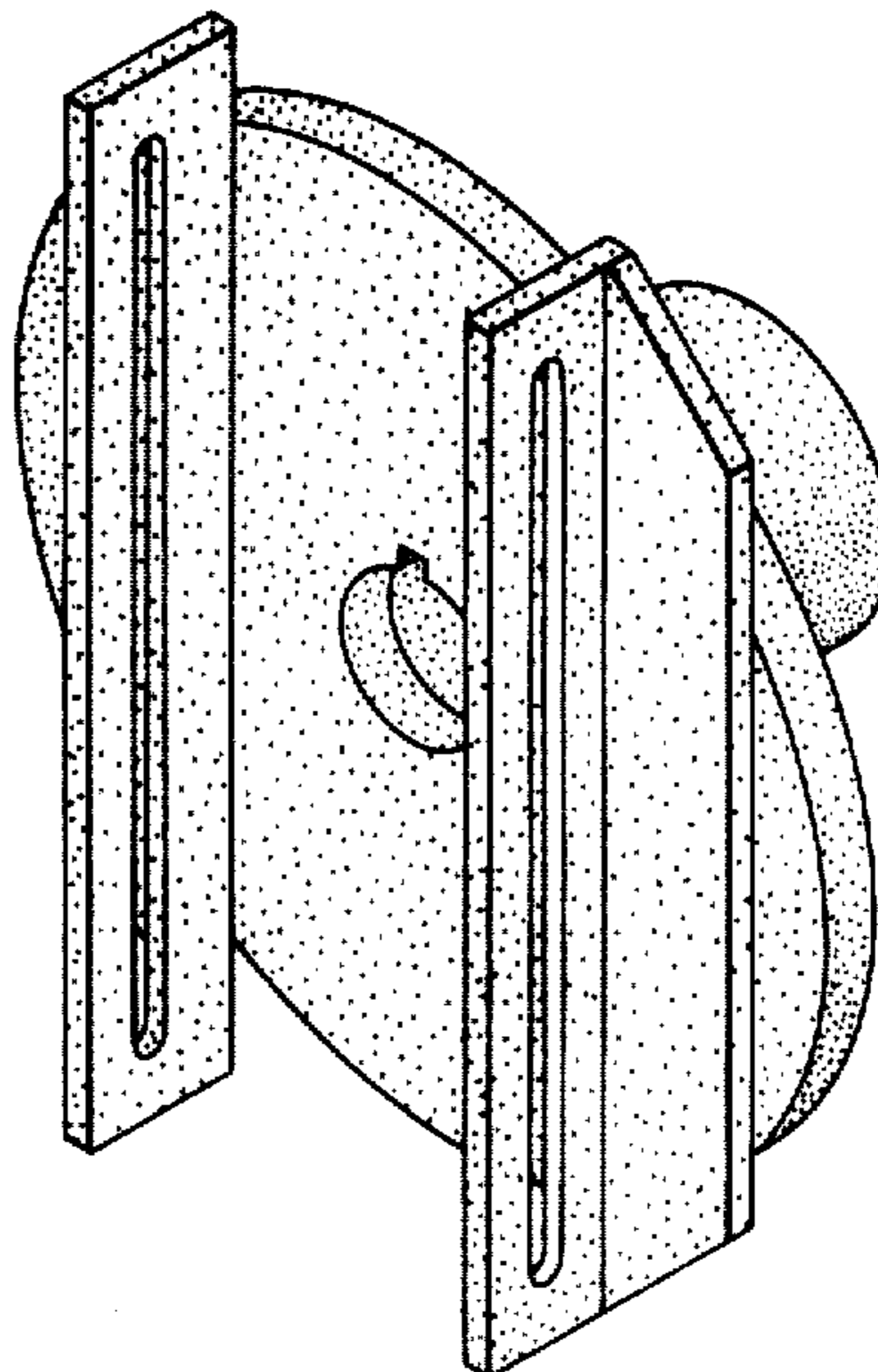
Attorney, Agent, or Firm—Woodford R. Thompson, Jr.

[57] CLAIM

The ornamental design for a crank disc for a high refuse wet washing coal jig, as shown.

DESCRIPTION

FIG. 1 is a perspective view of a crank disc for a high refuse wet washing coal jig showing my new design; FIG. 2 is a perspective view of the side not shown in FIG. 1; FIG. 3 is a front elevational view thereof; FIG. 4 is a rear elevational view thereof; FIG. 5 is a side elevational view looking from the left of FIG. 3; FIG. 6 is a side elevational view looking from the right of FIG. 3; FIG. 7 is a top plan view thereof; and, FIG. 8 is a bottom view thereof.



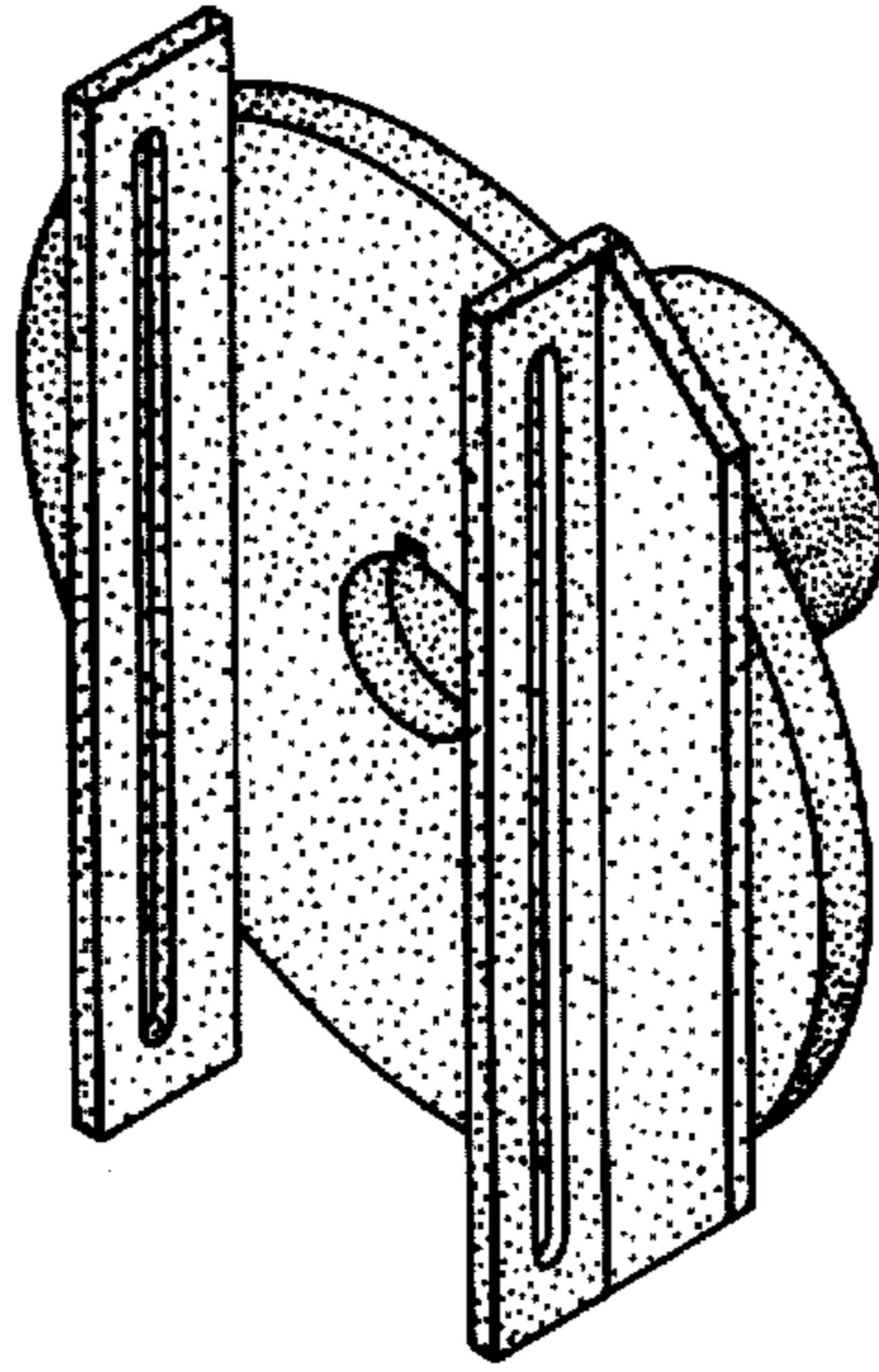


FIG. 1

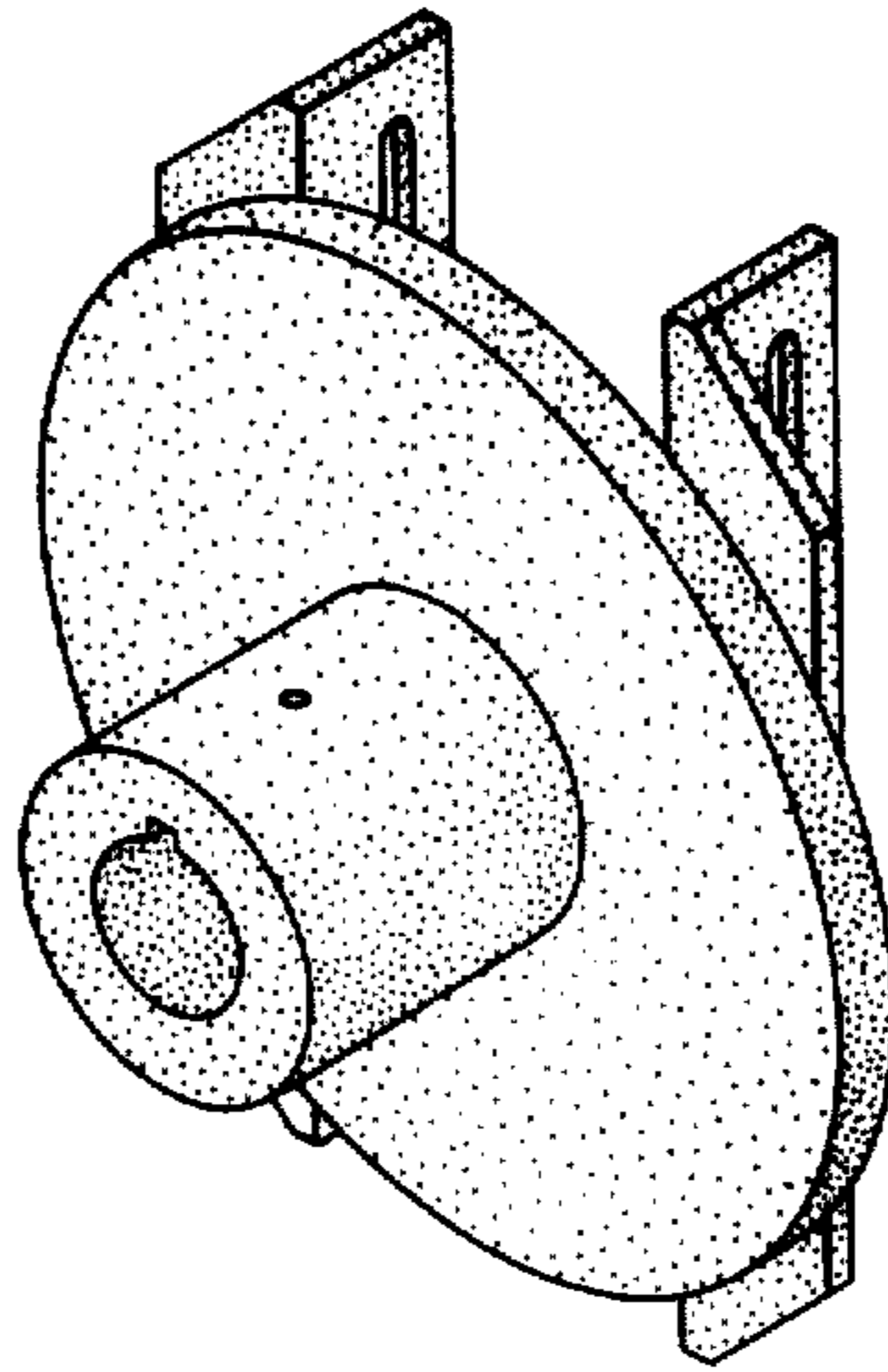


FIG. 2

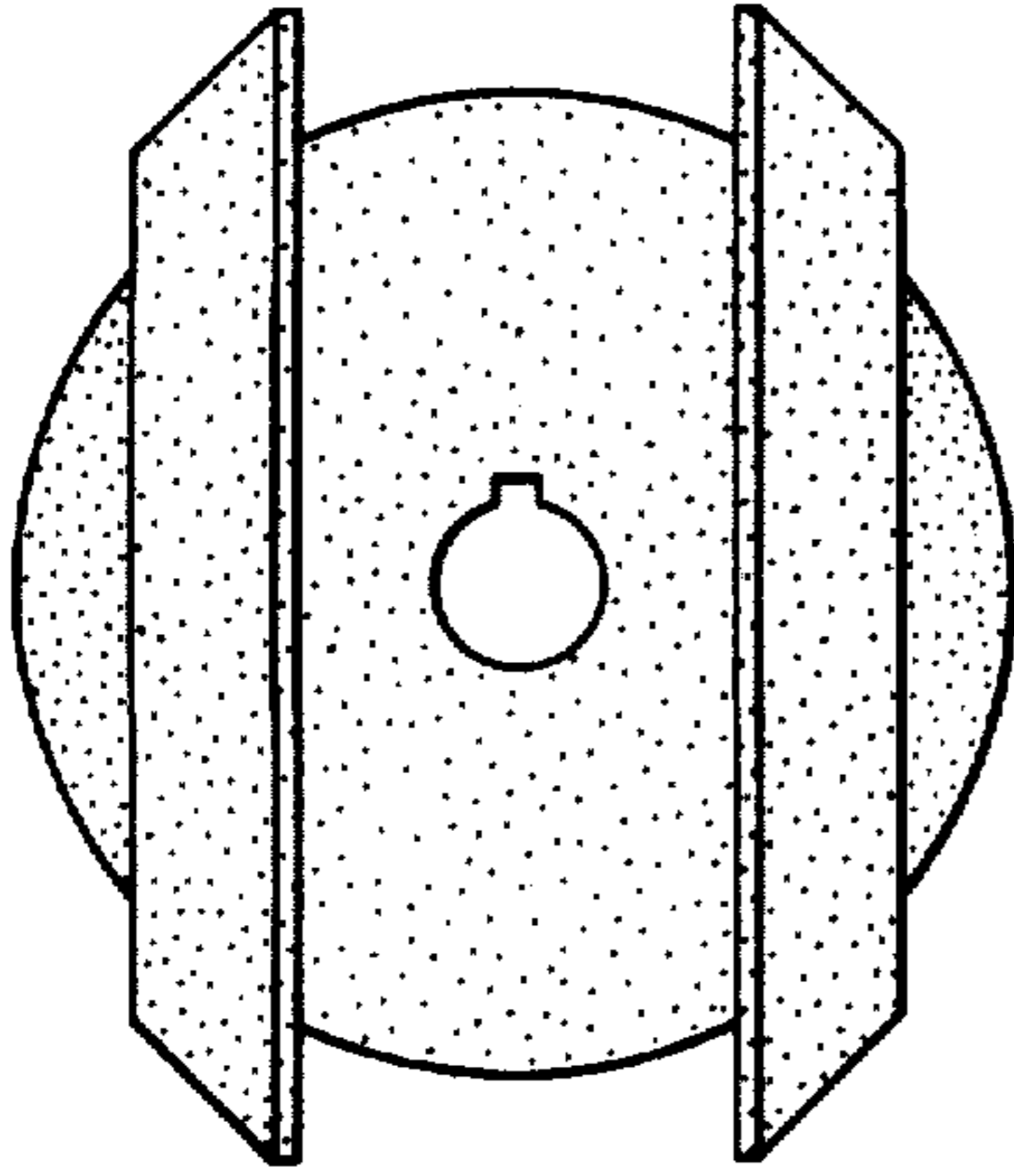


FIG. 3

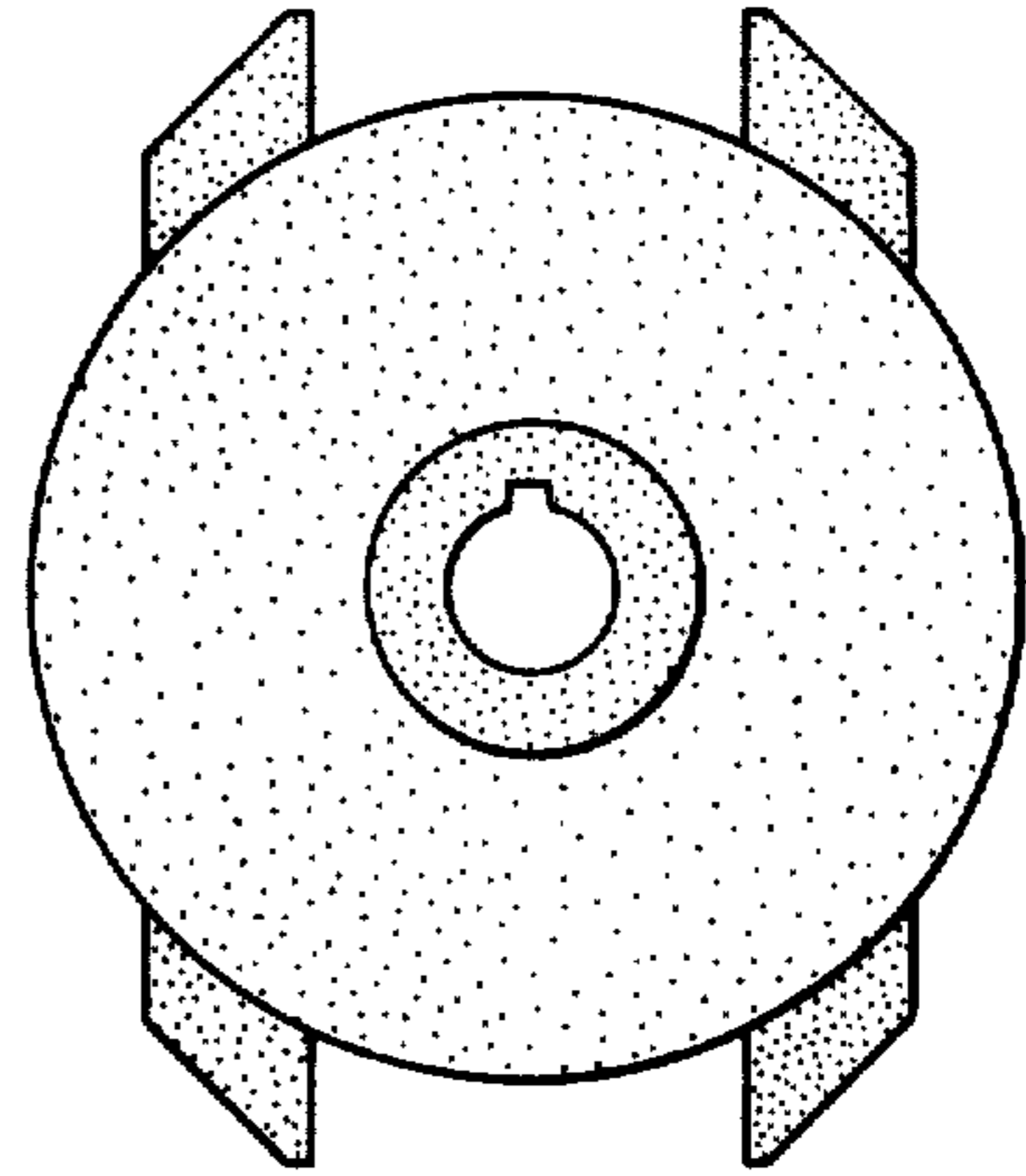


FIG. 4

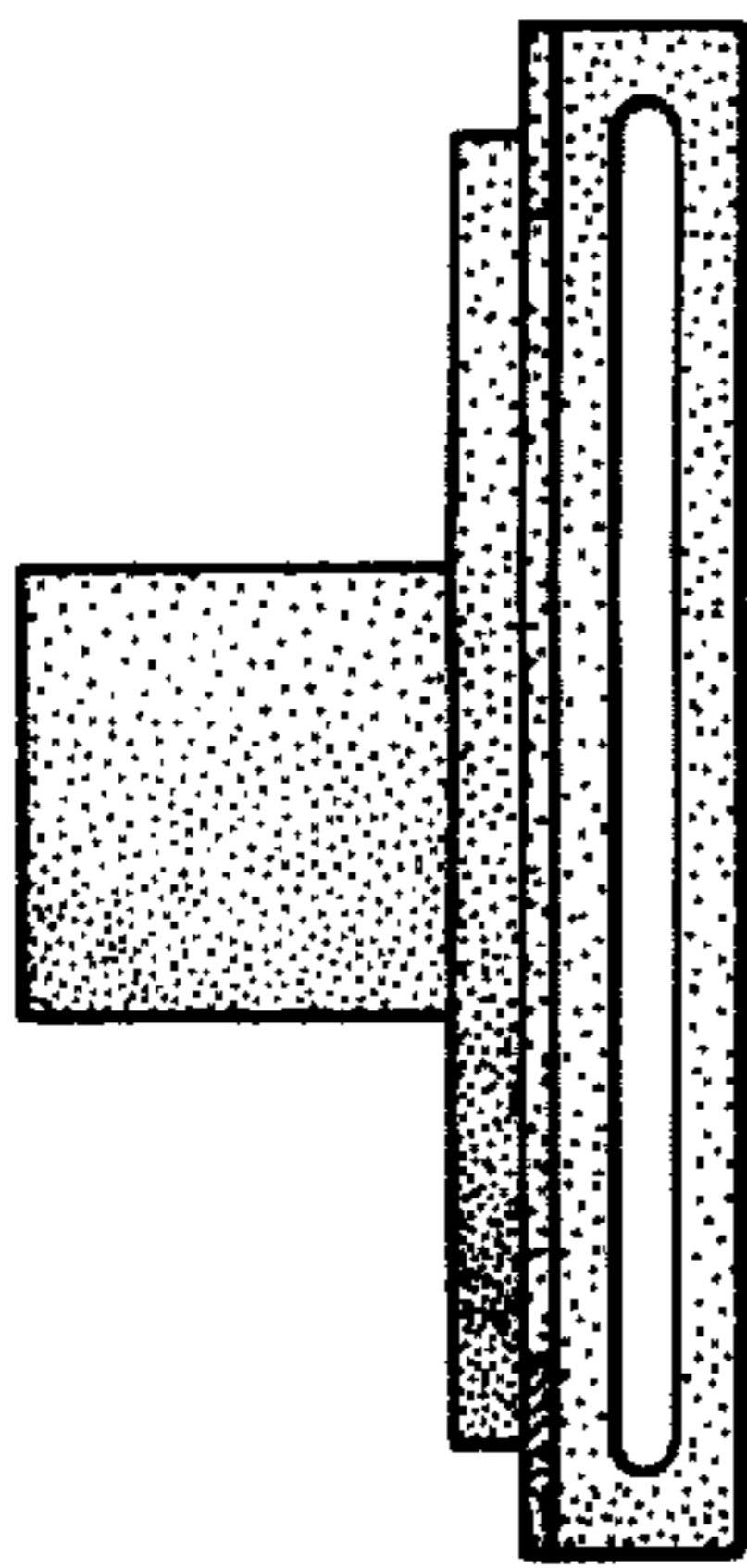


FIG. 5

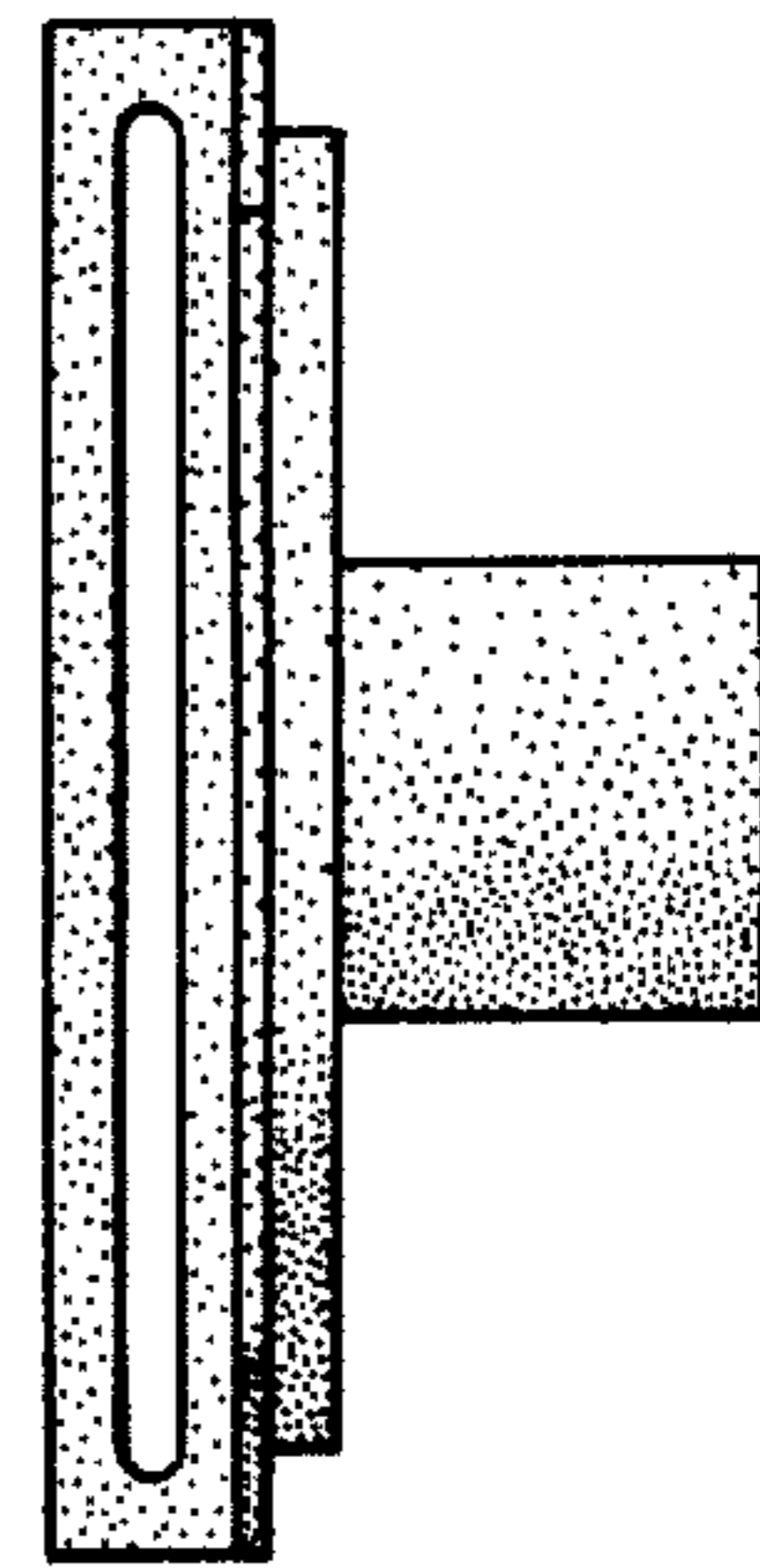


FIG. 6

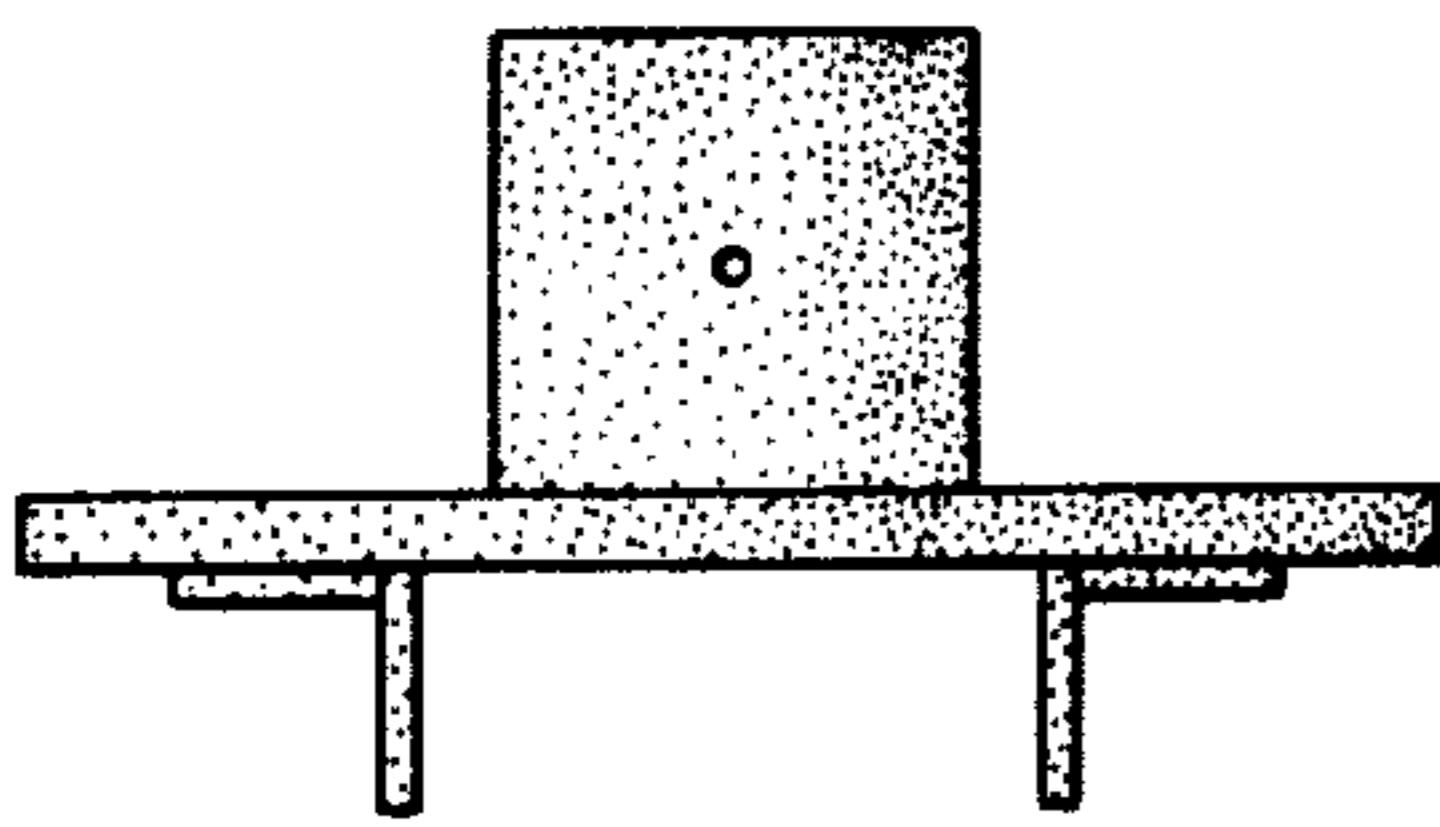


FIG. 7

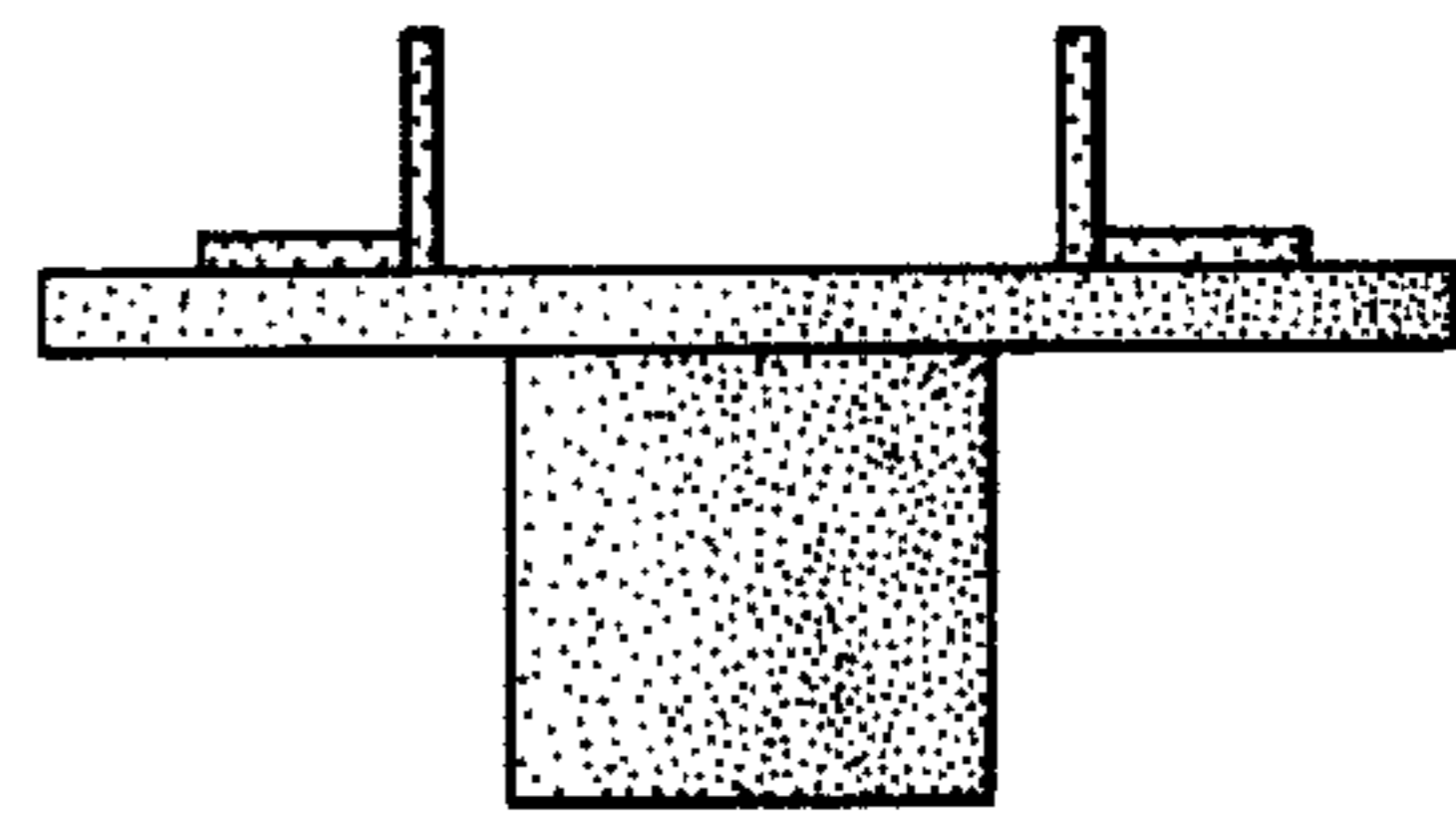


FIG. 8