

[54] PISTON VACUUM PUMP

[75] Inventor: Forest G. Brown, Valley Center, Kans.

[73] Assignee: Sigma Tek, Wichita, Kans.

[\*\*] Term: 14 Years

[21] Appl. No.: 336,368

[22] Filed: Dec. 31, 1981

[51] Int. Cl. .... D15-02

[52] U.S. Cl. .... D15/7

[58] Field of Search ..... 15/7, 9; 417/393, 395, 417/423; 415/206, 207

[56] References Cited

U.S. PATENT DOCUMENTS

D. 45,026 12/1913 Sparks ..... D15/7

D. 223,686 5/1972 Sadler et al. .... D15/7  
D. 263,839 4/1982 Somme ..... D15/7

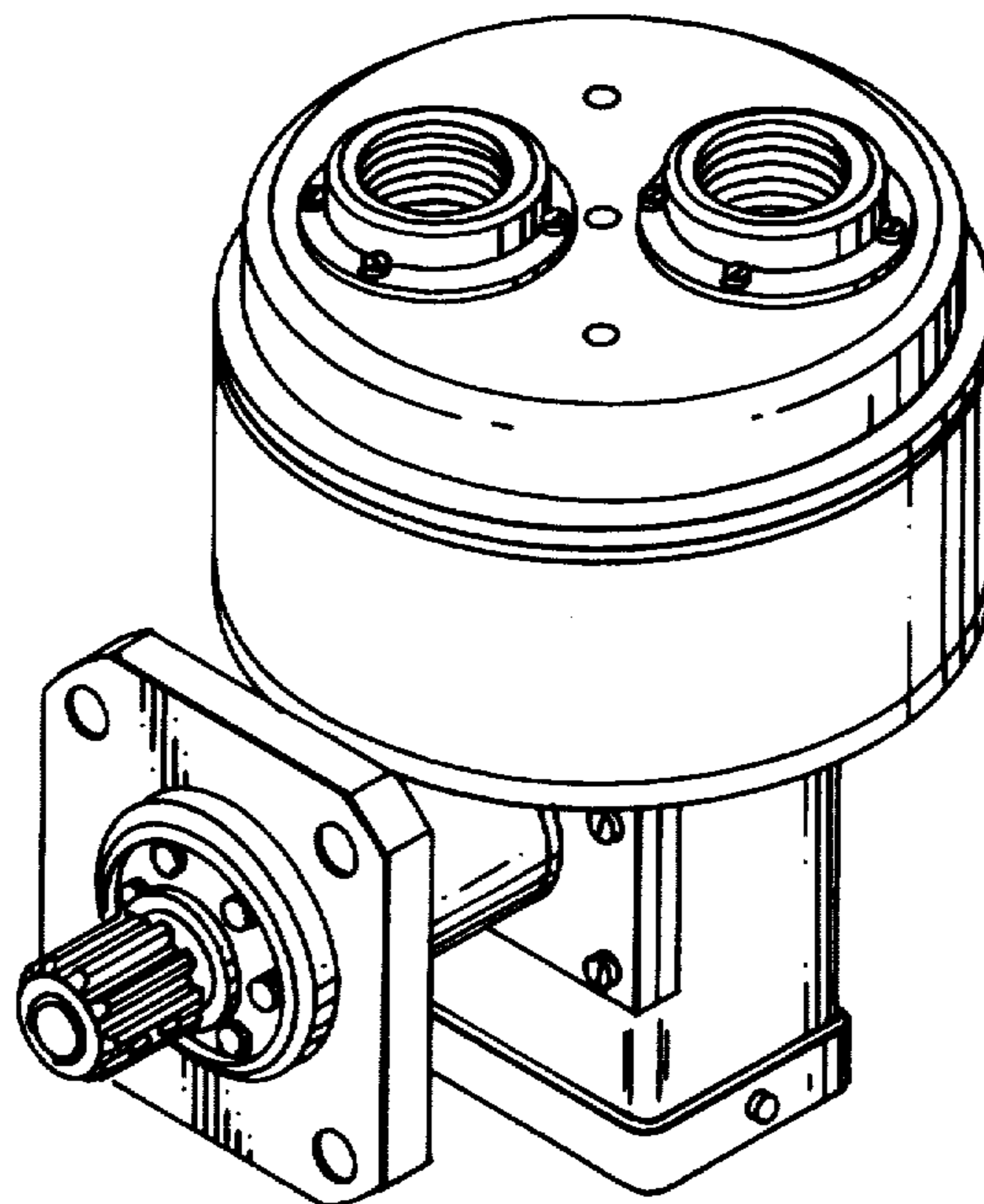
Primary Examiner—Wallace R. Burke  
Assistant Examiner—Lynn Wilder  
Attorney, Agent, or Firm—Harold E. Meier

[57] CLAIM

The ornamental design for piston vacuum pump, as shown.

DESCRIPTION

FIG. 1 is a perspective view of the piston vacuum pump showing my new design;  
FIG. 2 is a top plan view thereof;  
FIG. 3 is a bottom plan view thereof;  
FIG. 4 is a front end elevational view thereof;  
FIG. 5 is a rear end elevational view thereof;  
FIG. 6 is a left side elevational view thereof; and  
FIG. 7 is a right side elevational view thereof.



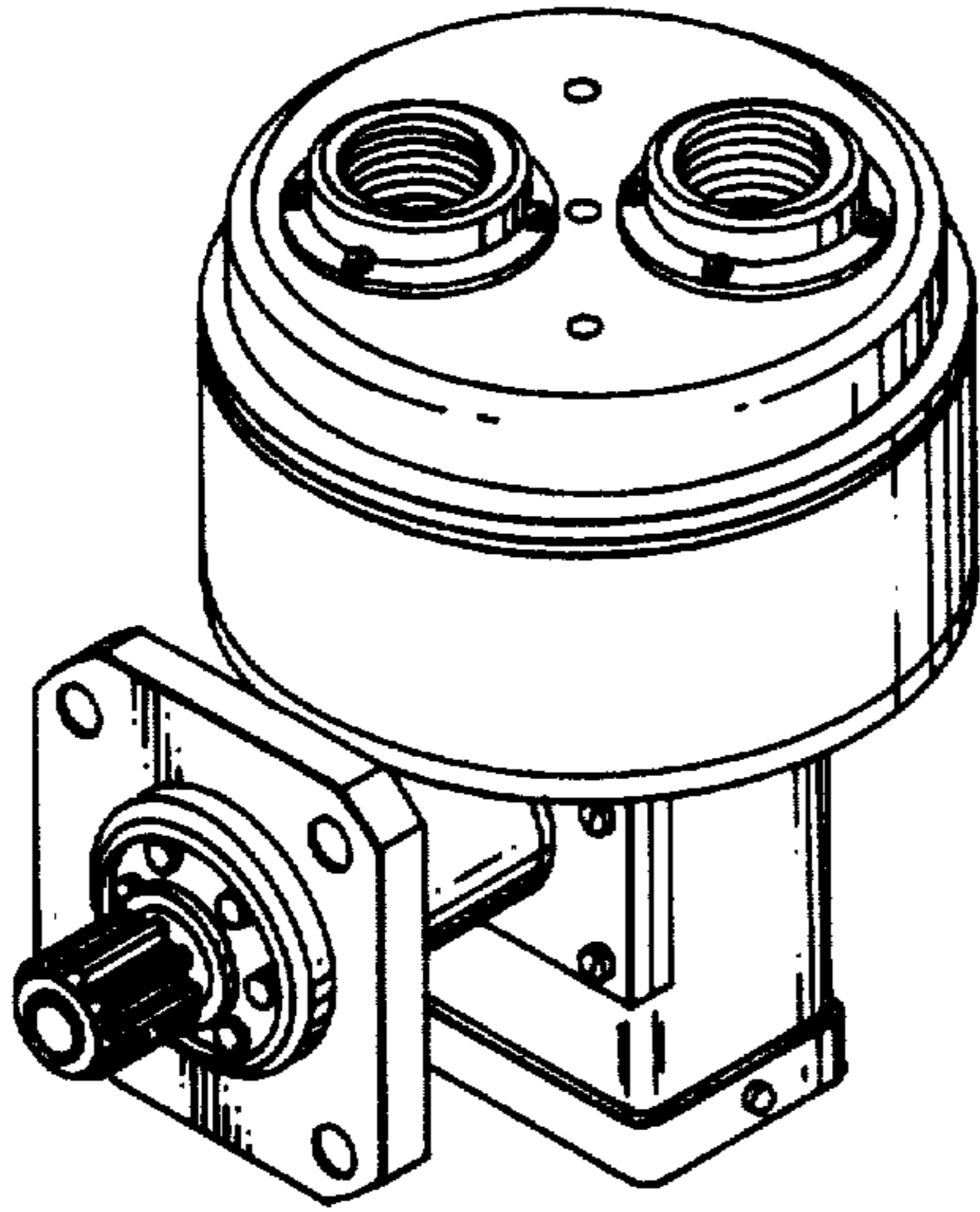


FIG. 1

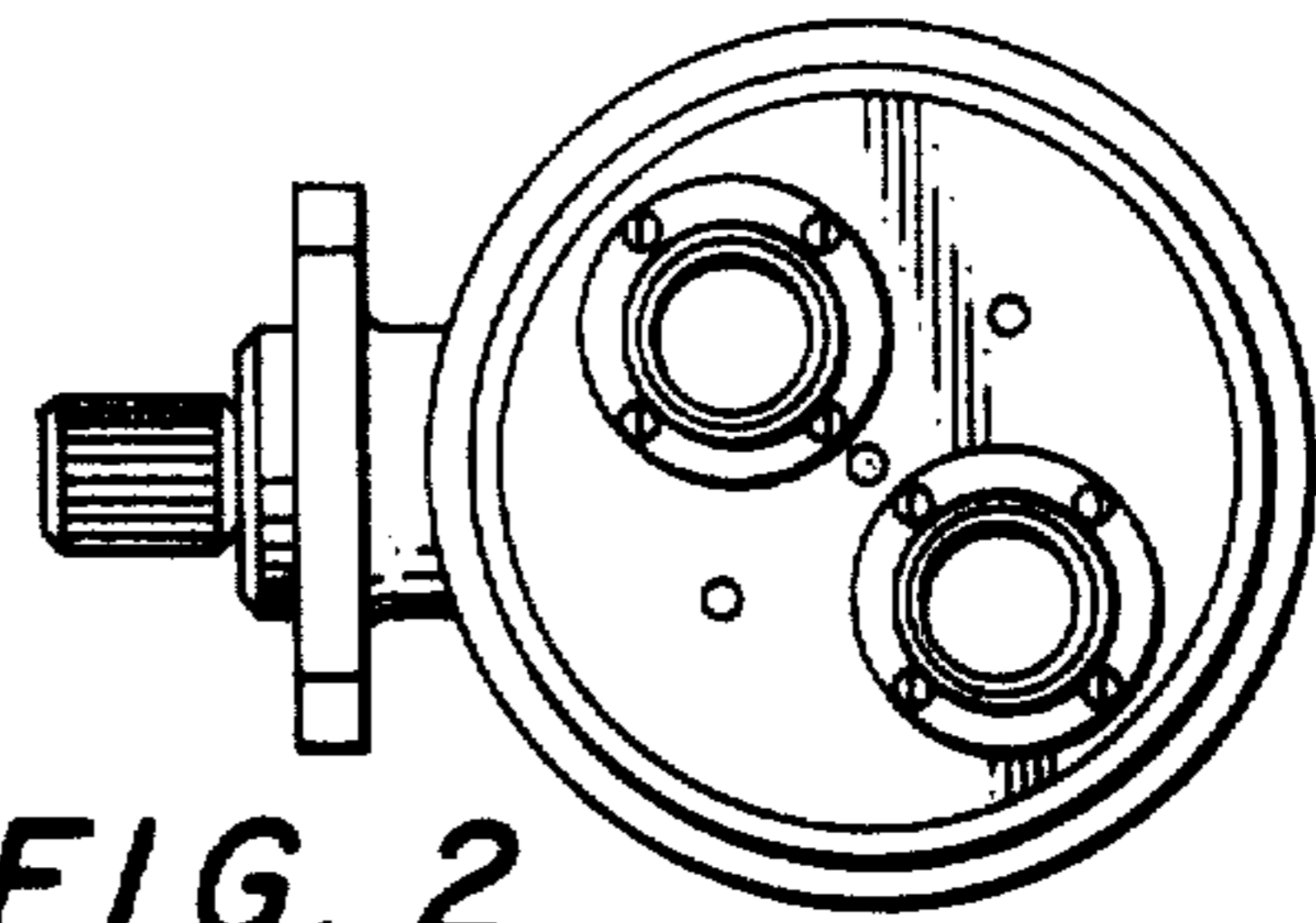


FIG. 2

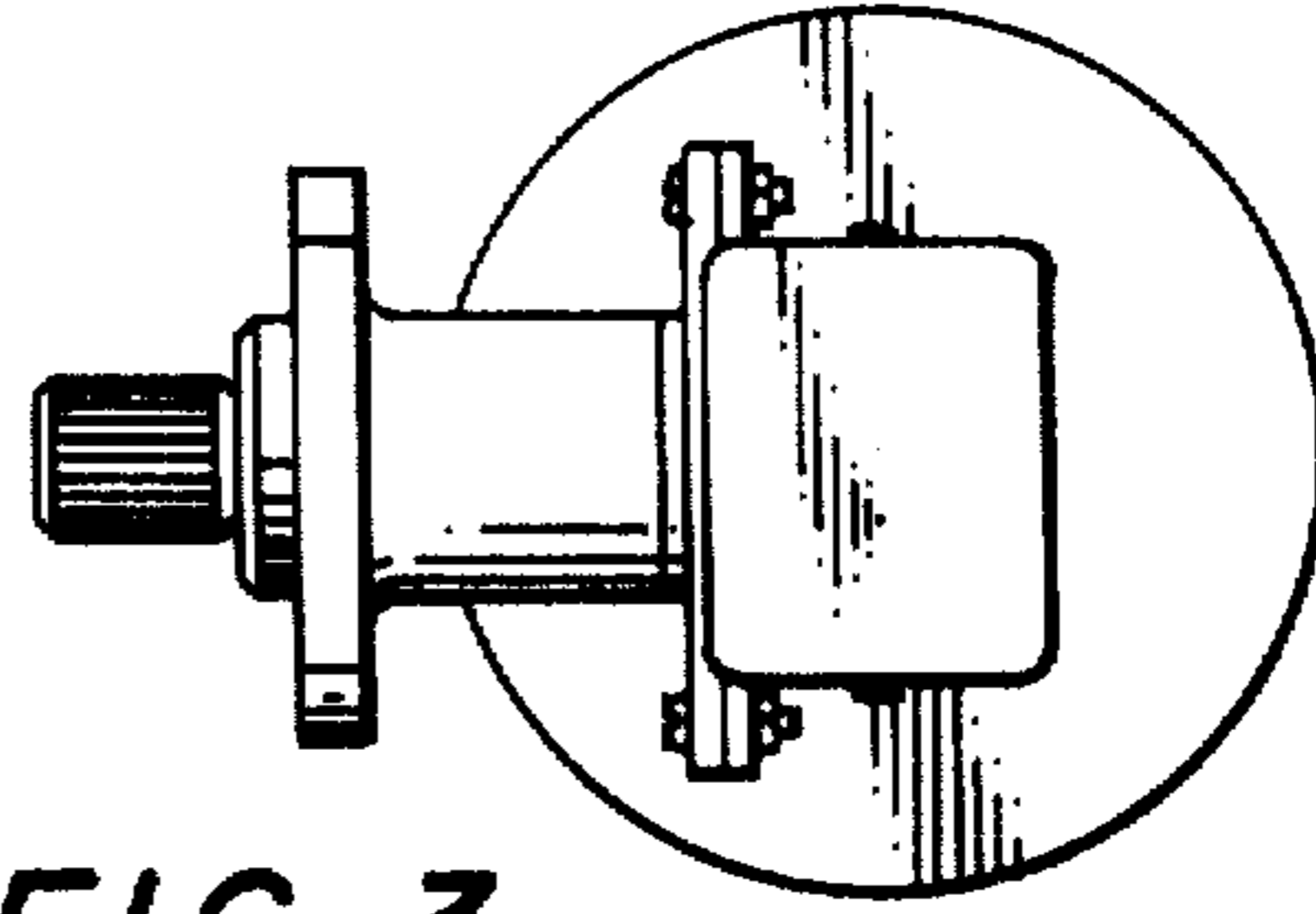


FIG. 3

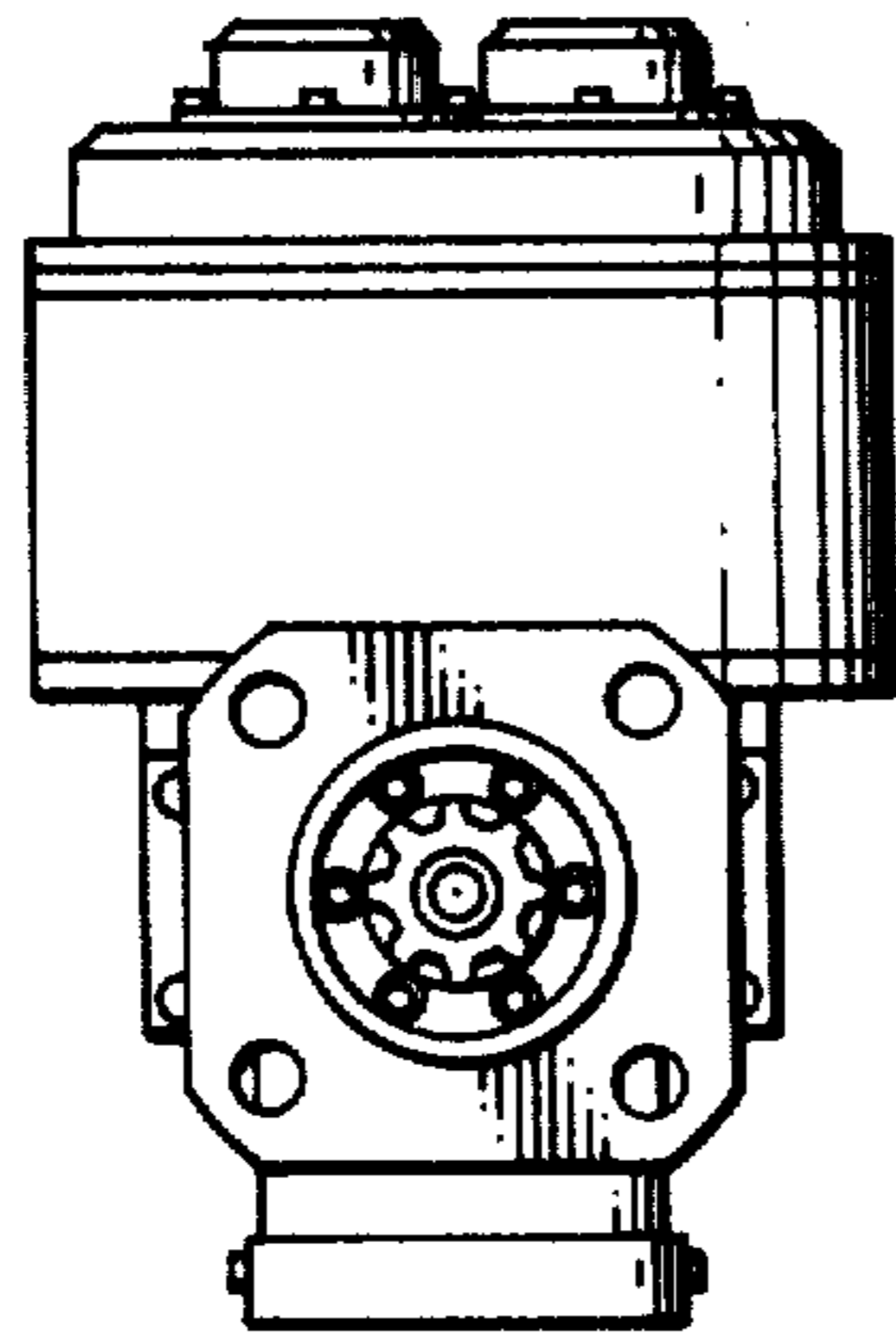


FIG. 4

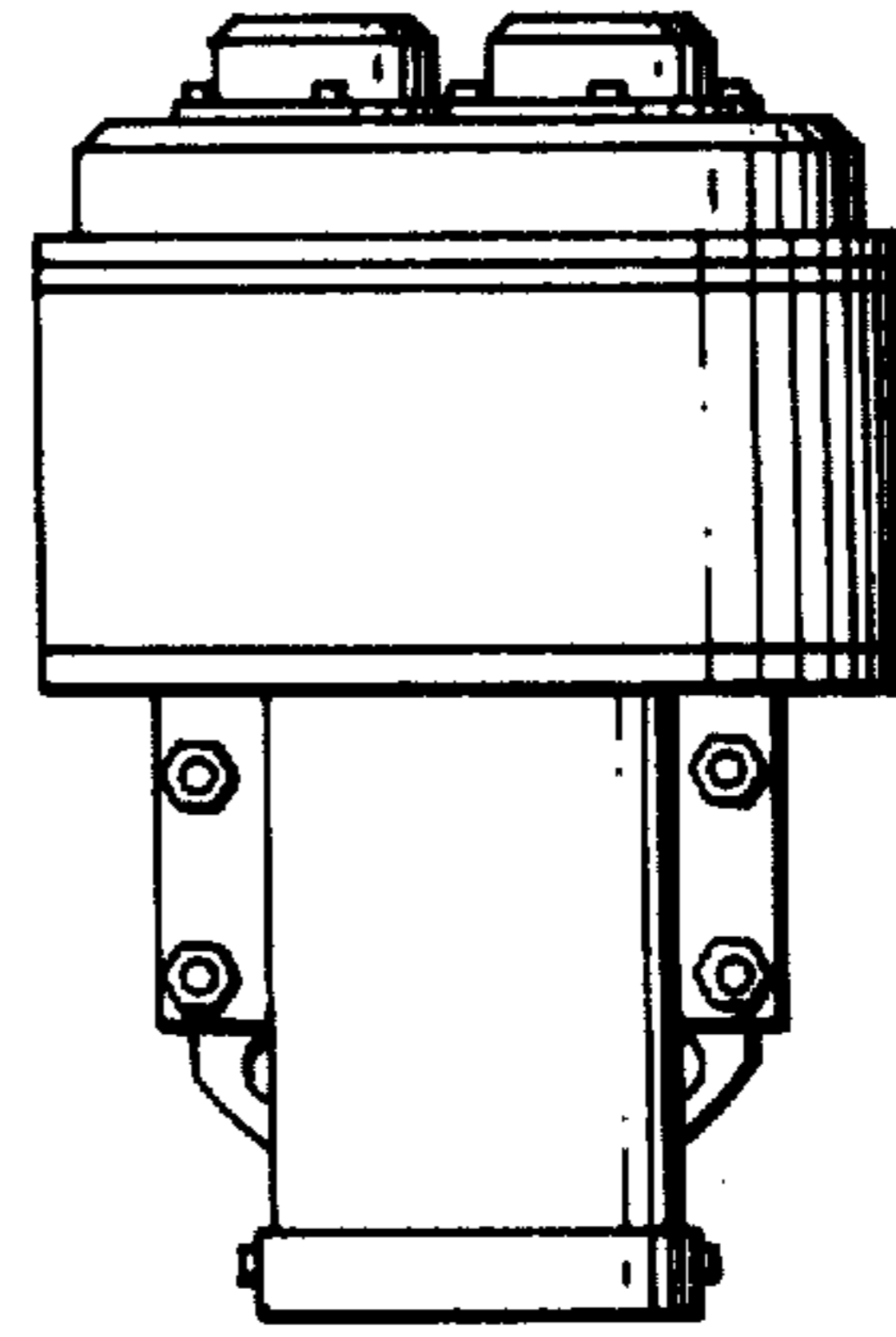


FIG. 5

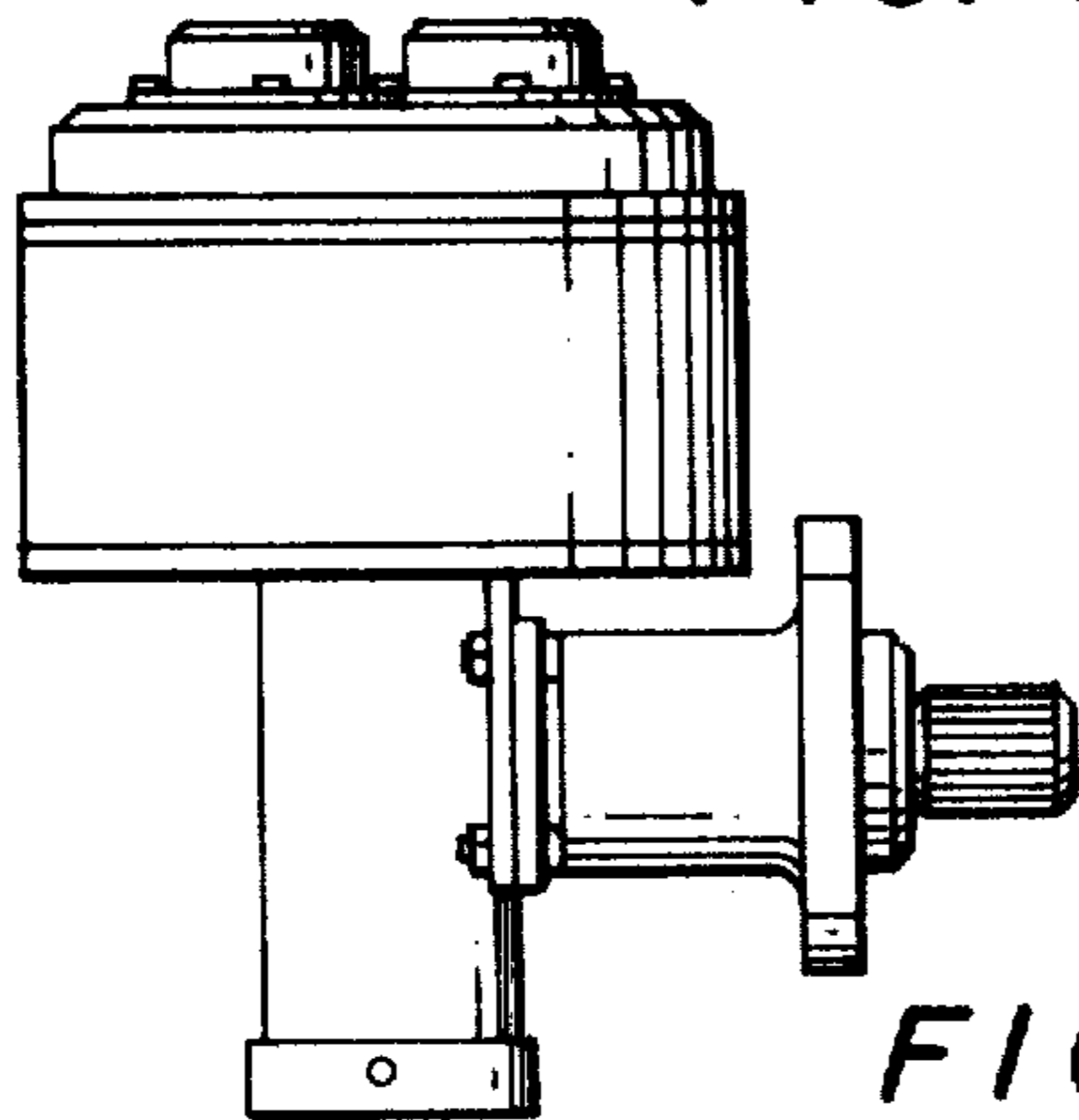


FIG. 6

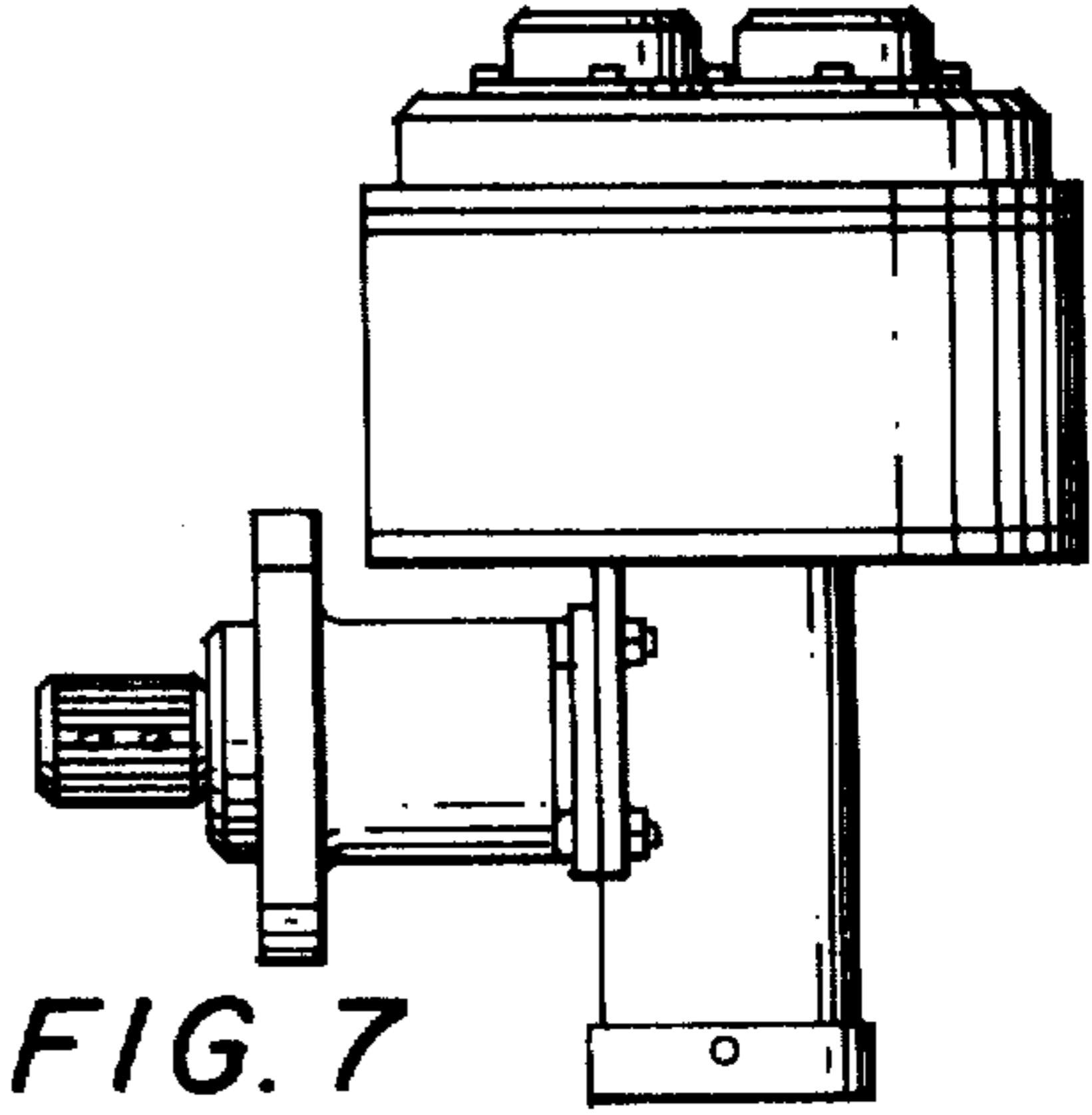


FIG. 7