

[54] **TERMINAL OUTPUT PRINTER**

[75] Inventor: **Robert E. Steinbugler, Raleigh, N.C.**

[73] Assignee: **International Business Machines Corporation, Armonk, N.Y.**

[**] Term: **14 Years**

[21] Appl. No.: **267,110**

[22] Filed: **May 26, 1981**

[51] Int. Cl. **D14-02**

[52] U.S. Cl. **D14/111**

[58] Field of Search **D14/100-116;**
D13/1, 13, 23; 400/693, 62, 69, 70

[56] **References Cited**

U.S. PATENT DOCUMENTS

- D. 224,605 8/1972 Bixler et al. D18/13
- D. 229,513 12/1973 Bermender, Jr. D14/103

Primary Examiner—Susan Lucas
Attorney, Agent, or Firm—Edward H. Duffield

[57] **CLAIM**

The ornamental design for a terminal output printer or the like, substantially as shown and described.

DESCRIPTION

FIG. 1 is a perspective view taken from the right front of a terminal output printer or the like showing my new design;

FIG. 2 is a perspective view taken from the right rear of the terminal output printer shown in FIG. 1.

FIG. 3 is a front elevational view of the terminal output printer shown in FIG. 1 on an enlarged scale.

FIG. 4 is a right-hand side elevational view of a terminal output printer as shown in FIG. 1 on an enlarged scale.

FIG. 5 is a top plan view of a terminal output printer as shown in FIG. 1 on an enlarged scale.

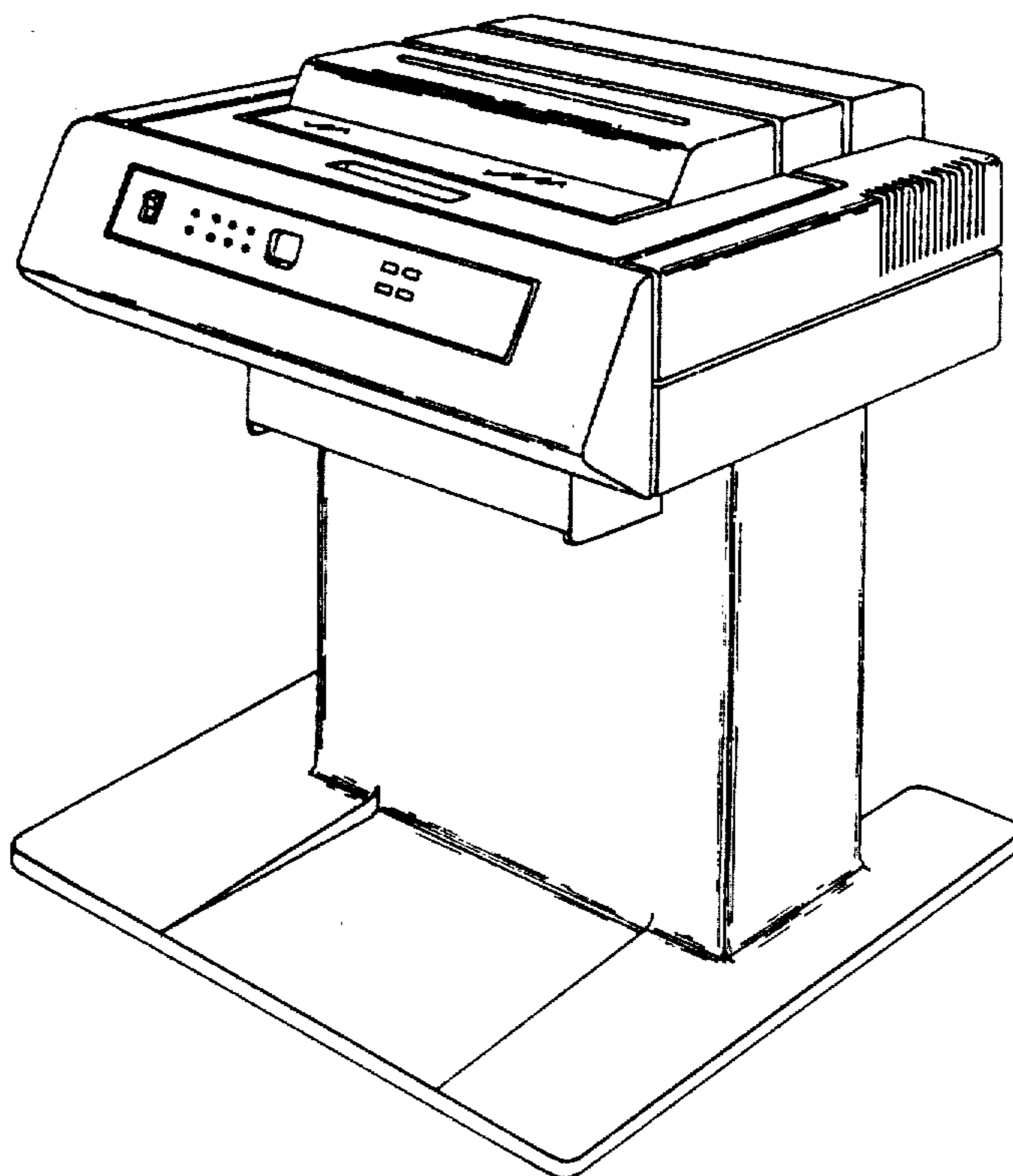


FIG. 1

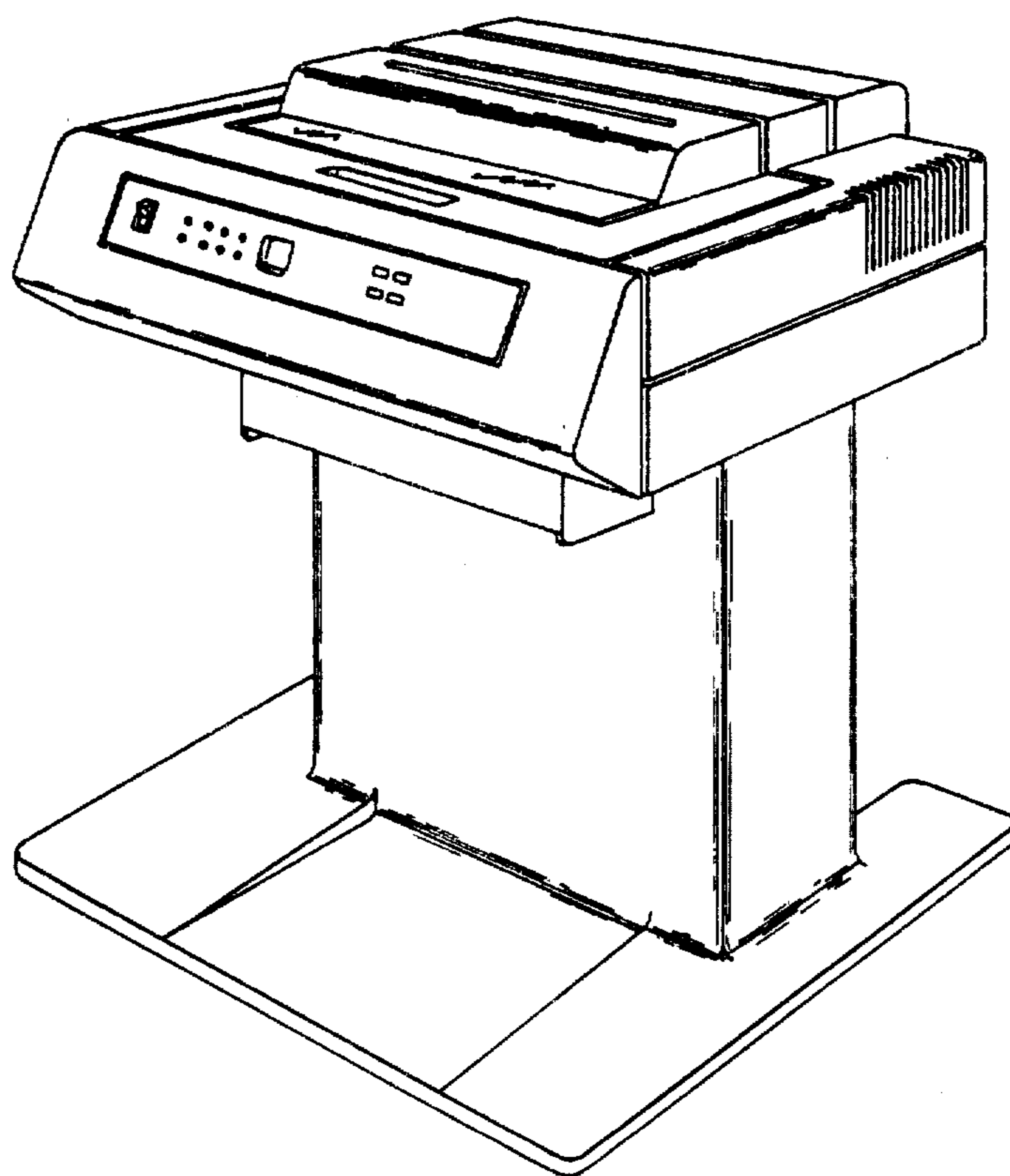


FIG. 2

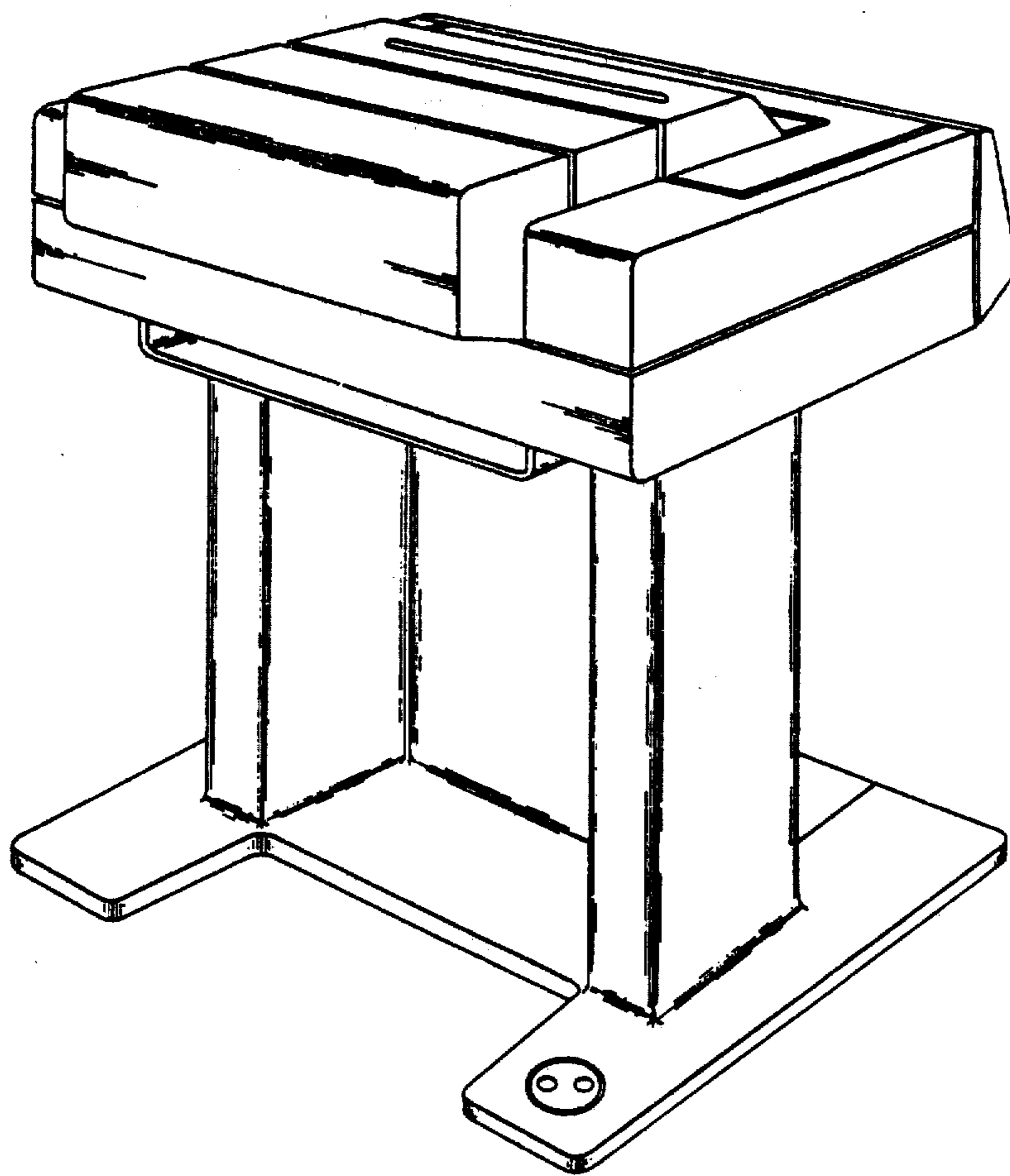


FIG. 3

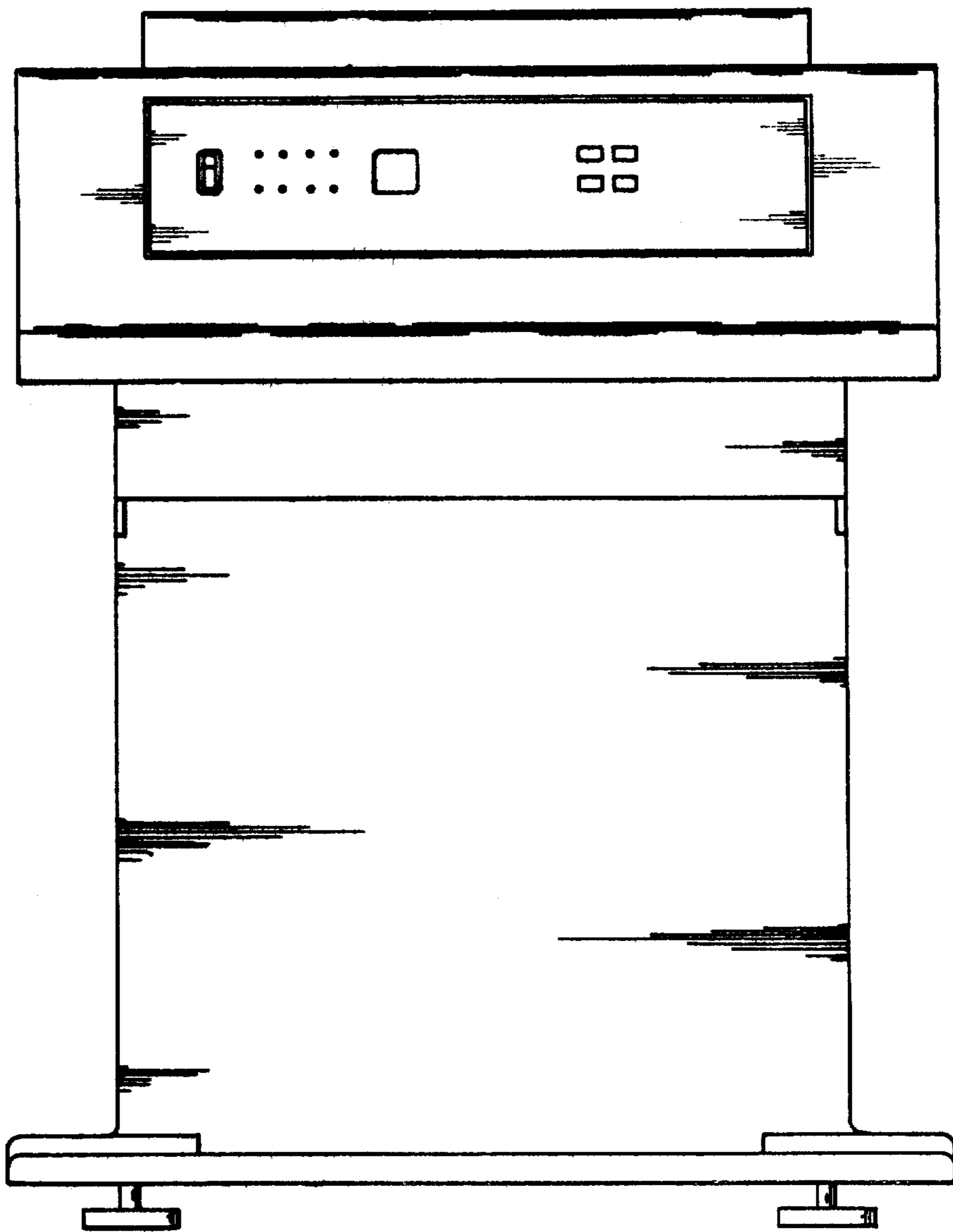


FIG. 4

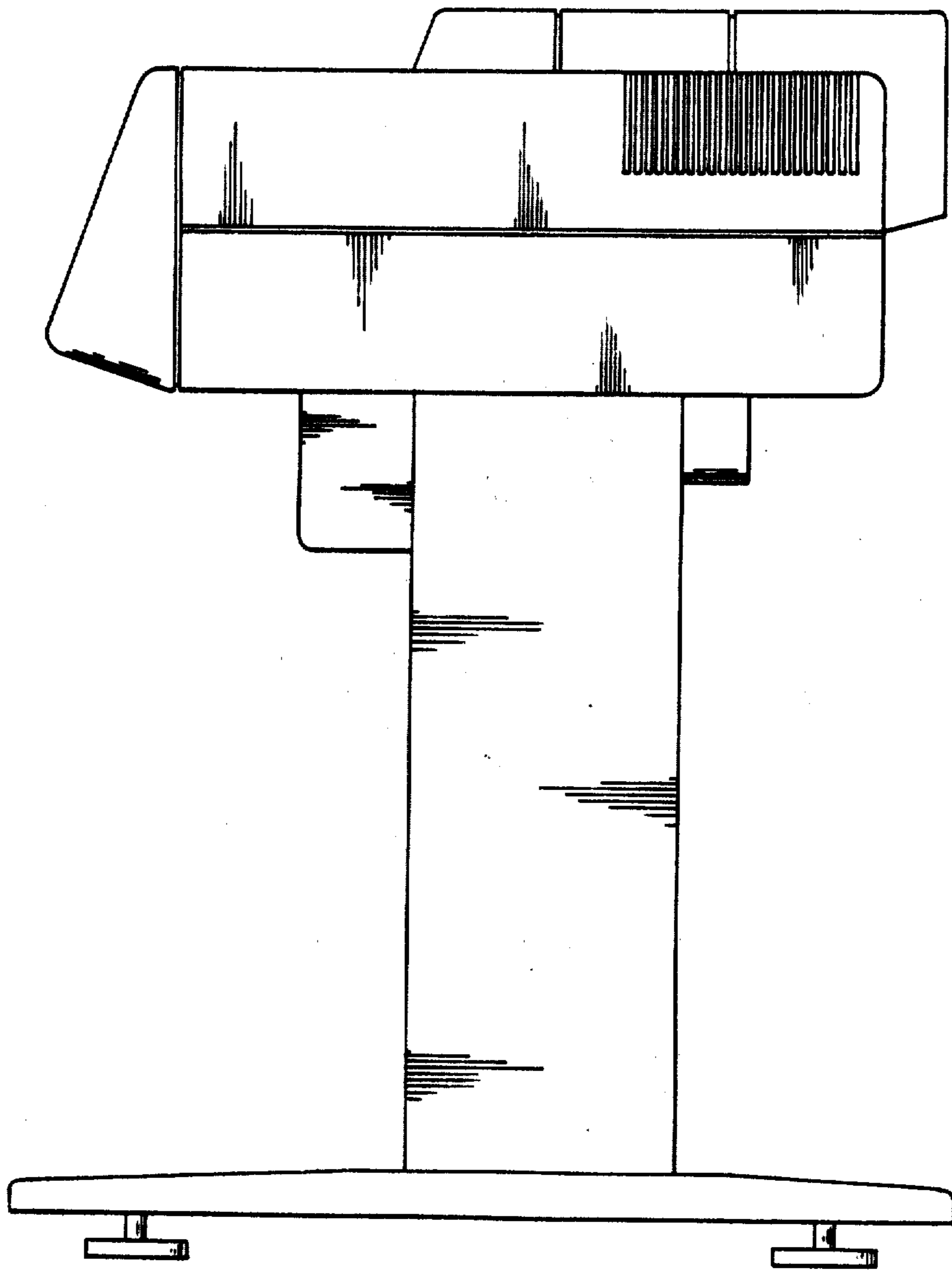


FIG. 5

