

[54] TELEPHONE STAND OR SIMILAR ARTICLE

[75] Inventors: Donald M. Genaro, Haworth; Carl W. Gomes, II, Ocean, both of N.J.; John N. McGarvey, Drexel Hill, Pa.; Gordon E. Sylvester, Jamaica, N.Y.; Joseph E. Tatarski, Point Pleasant, N.J.

[73] Assignee: Bell Telephone Laboratories, Incorporated, Murray Hill, N.J.

[**] Term: 14 Years

[21] Appl. No.: 308,505

[22] Filed: Oct. 5, 1981

[51] Int. Cl. D14-03

[52] U.S. Cl. D14/60

[58] Field of Search D14/53, 60, 64; 179/100 D, 100 R, 178, 179, 103, 100 C

[56] References Cited

U.S. PATENT DOCUMENTS

- D. 247,813 5/1978 Genaro et al. D14/60
D. 252,570 8/1979 Genaro et al. D14/60
D. 262,626 1/1982 Genaro et al. D14/60

- D. 265,401 7/1982 Genaro et al. D14/53
D. 265,559 7/1982 Janda D14/60
D. 267,715 1/1983 Janda D14/60
3,941,951 3/1976 Engstrom 179/100 C
4,284,855 8/1981 Adams et al. 179/179

Primary Examiner—Bernard Ansher
Attorney, Agent, or Firm—David H. Tannenbaum

[57] CLAIM

The ornamental design for a telephone stand or similar article, substantially as shown and described.

DESCRIPTION

FIG. 1 is a top front perspective view of a telephone stand showing our new design;
FIG. 2 is a front elevation thereof;
FIG. 3 is a top plan view thereof;
FIG. 4 is a right side elevation thereof, the opposite side is a mirror image of the side shown;
FIG. 5 is a bottom plan view thereof;
FIG. 6 is a top front perspective view of a modified embodiment of the telephone stand illustrated in FIG. 1;
FIG. 7 is a front elevation thereof;
FIG. 8 is a rear elevation thereof;
FIG. 9 is a top plan view thereof;
FIG. 10 is a right side elevation thereof, the opposite side is a mirror image of the side shown; and
FIG. 11 is a bottom plan view thereof.

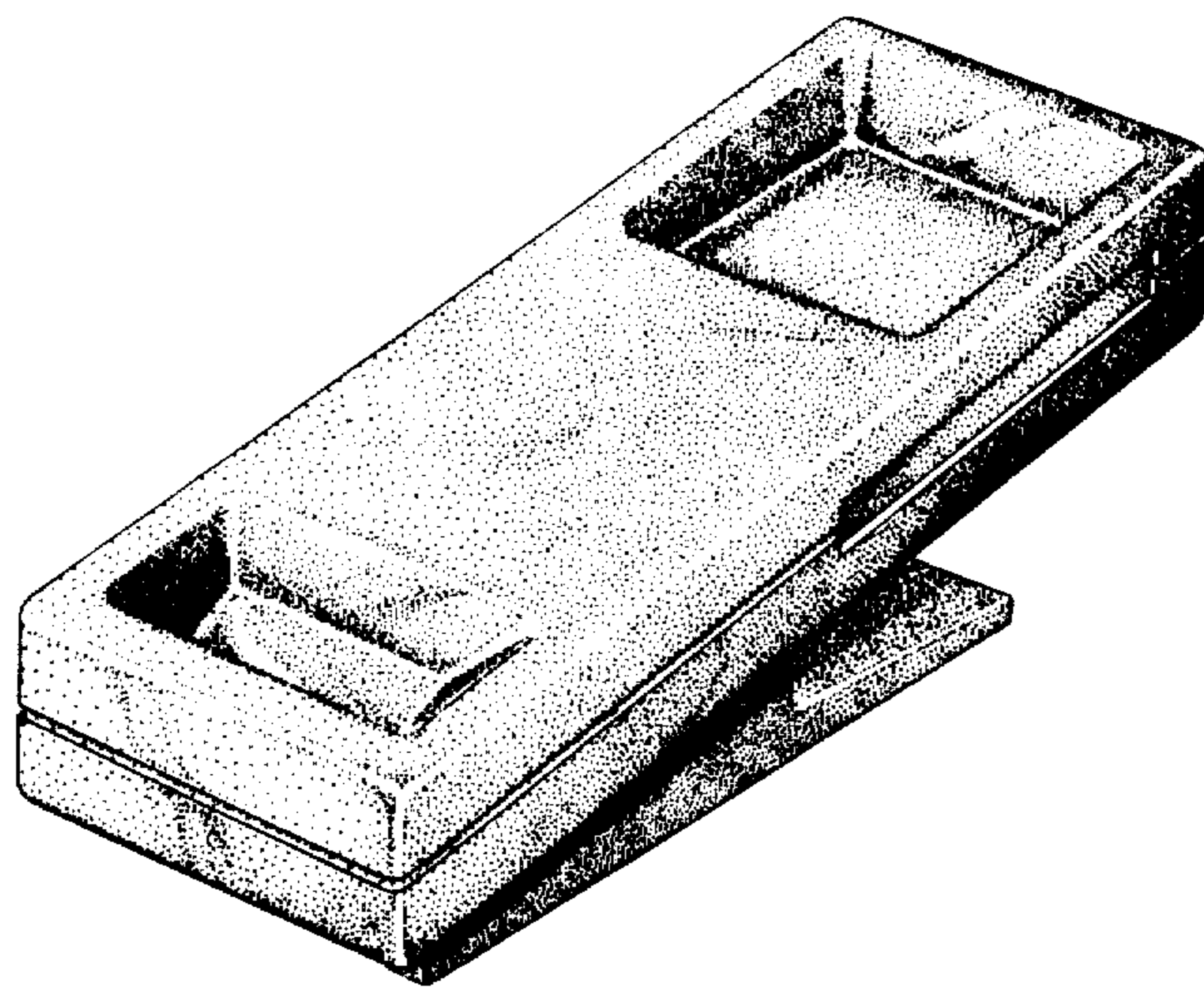


FIG. 1

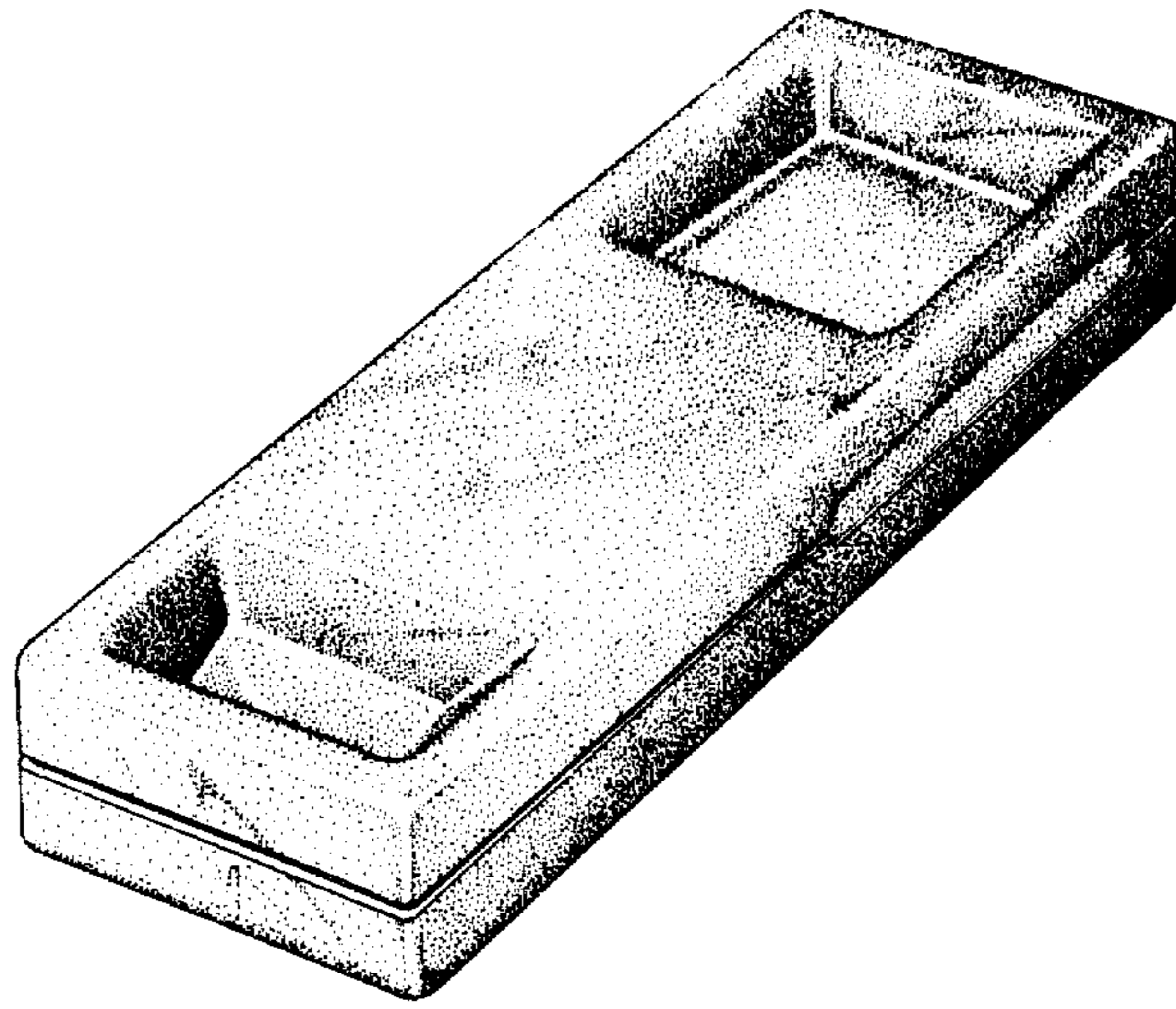


FIG. 2

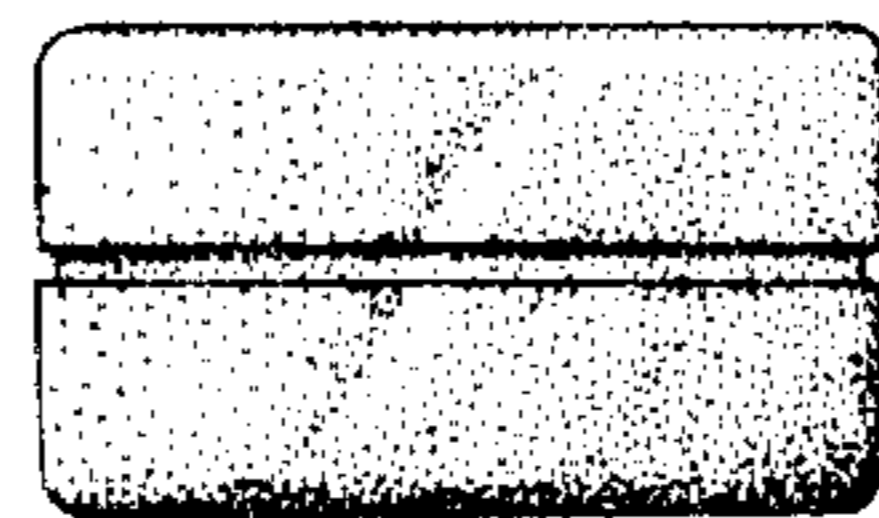


FIG. 3

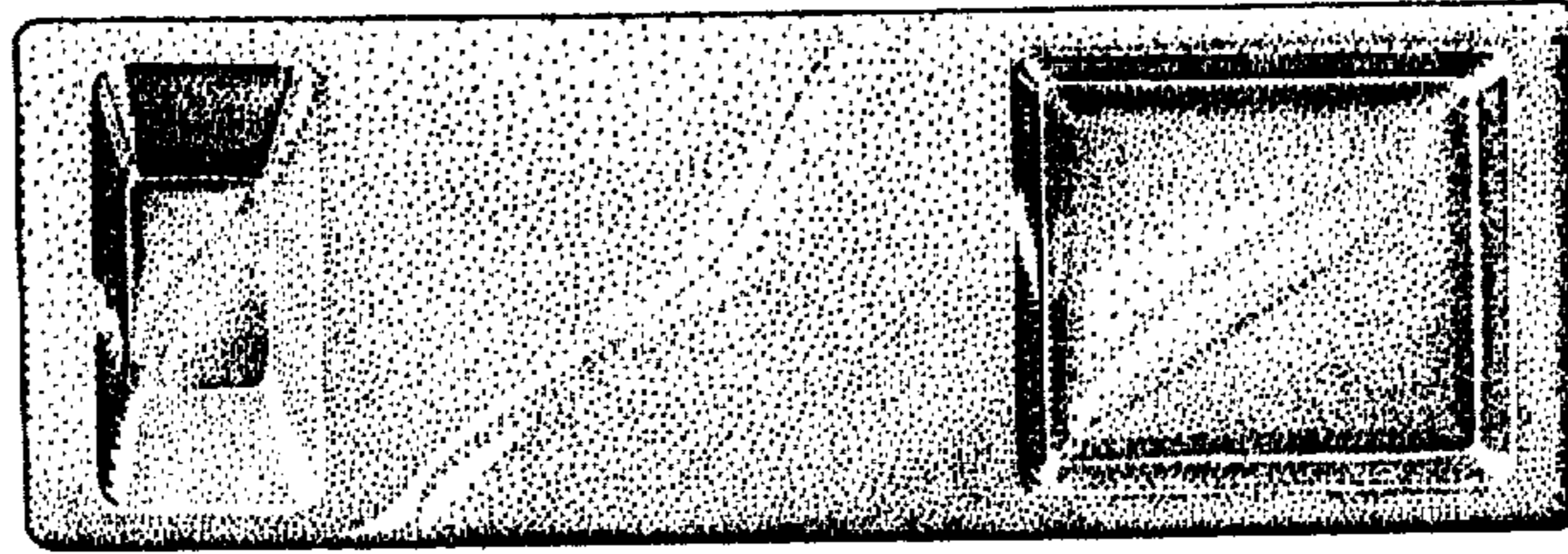


FIG. 4

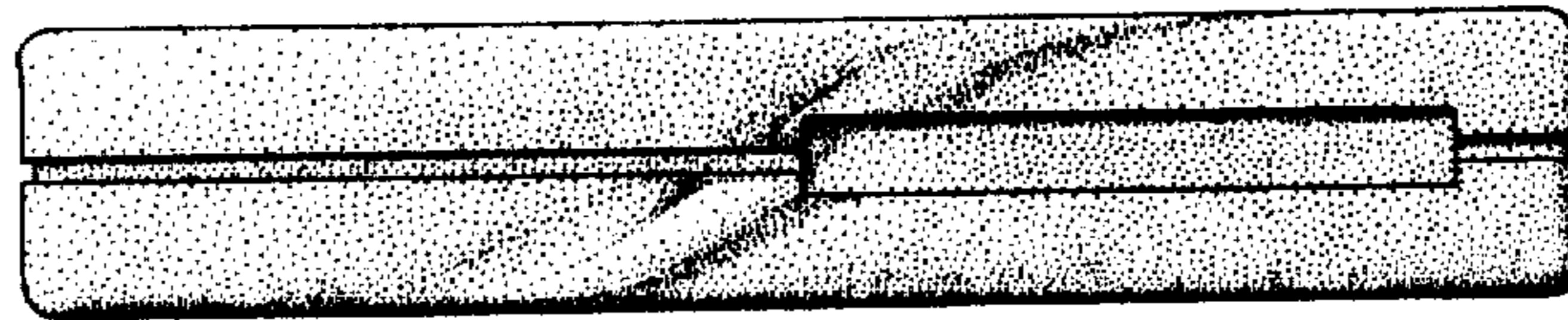


FIG. 5



FIG. 6

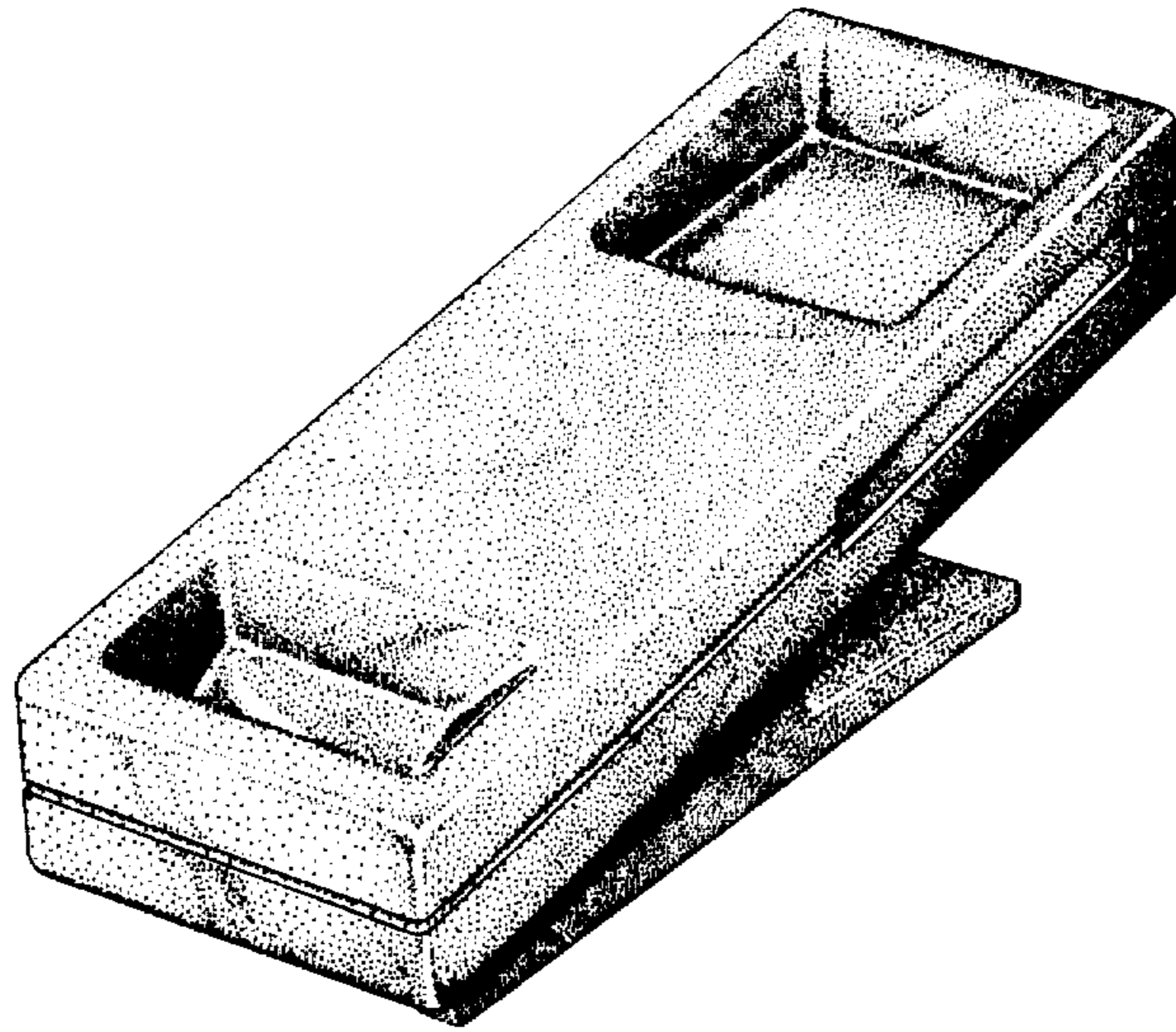


FIG. 7

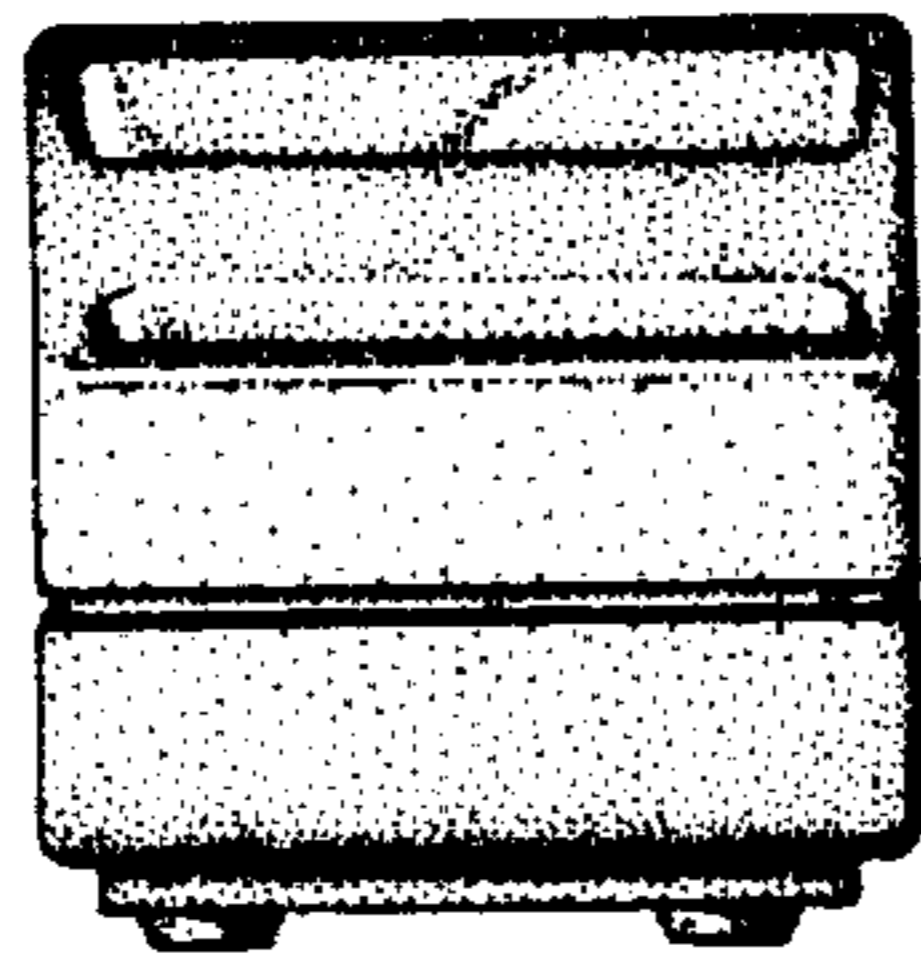


FIG. 8

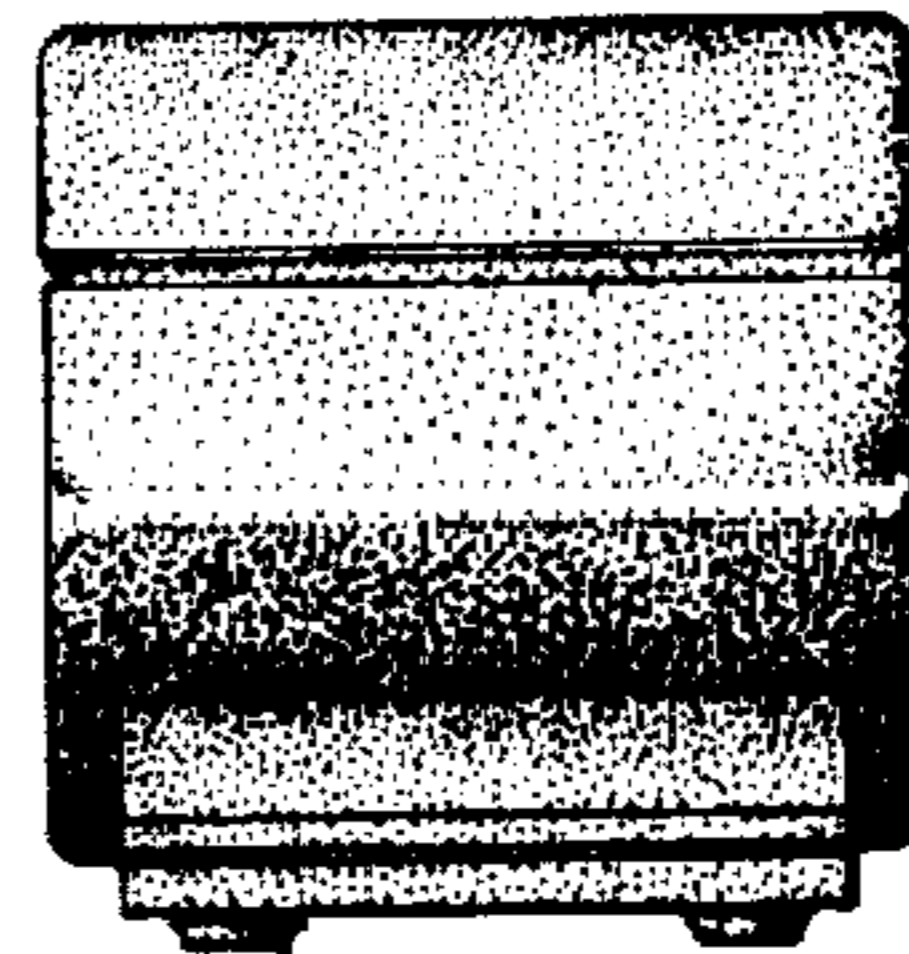


FIG. 9

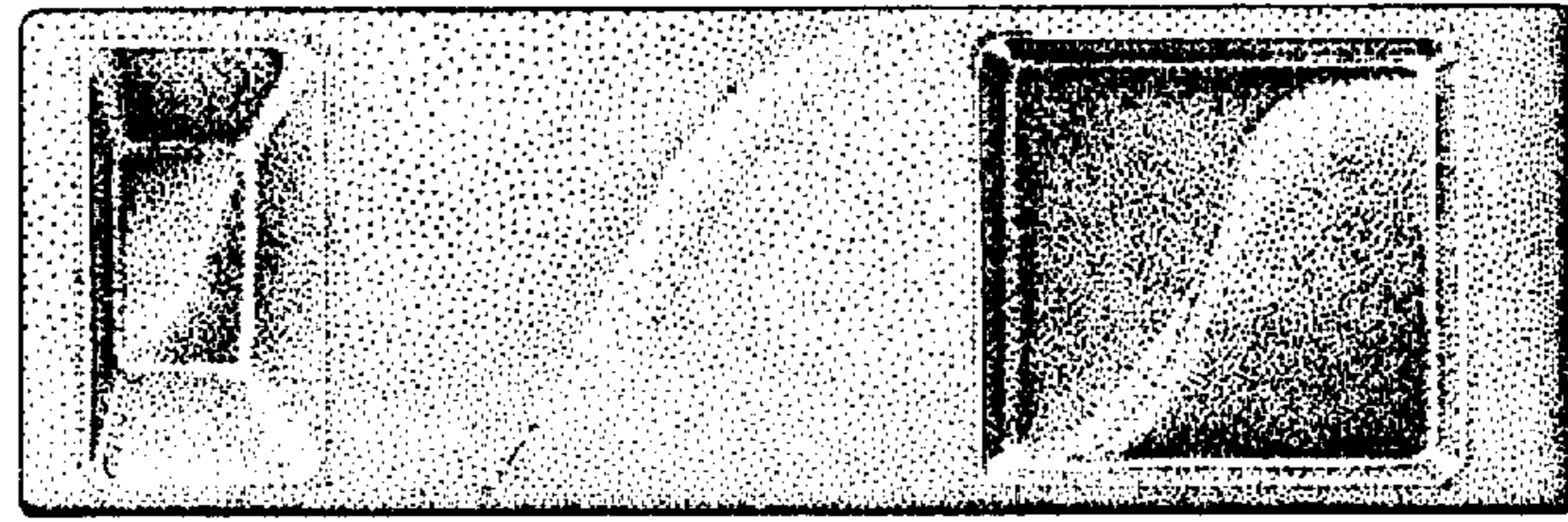


FIG. 10

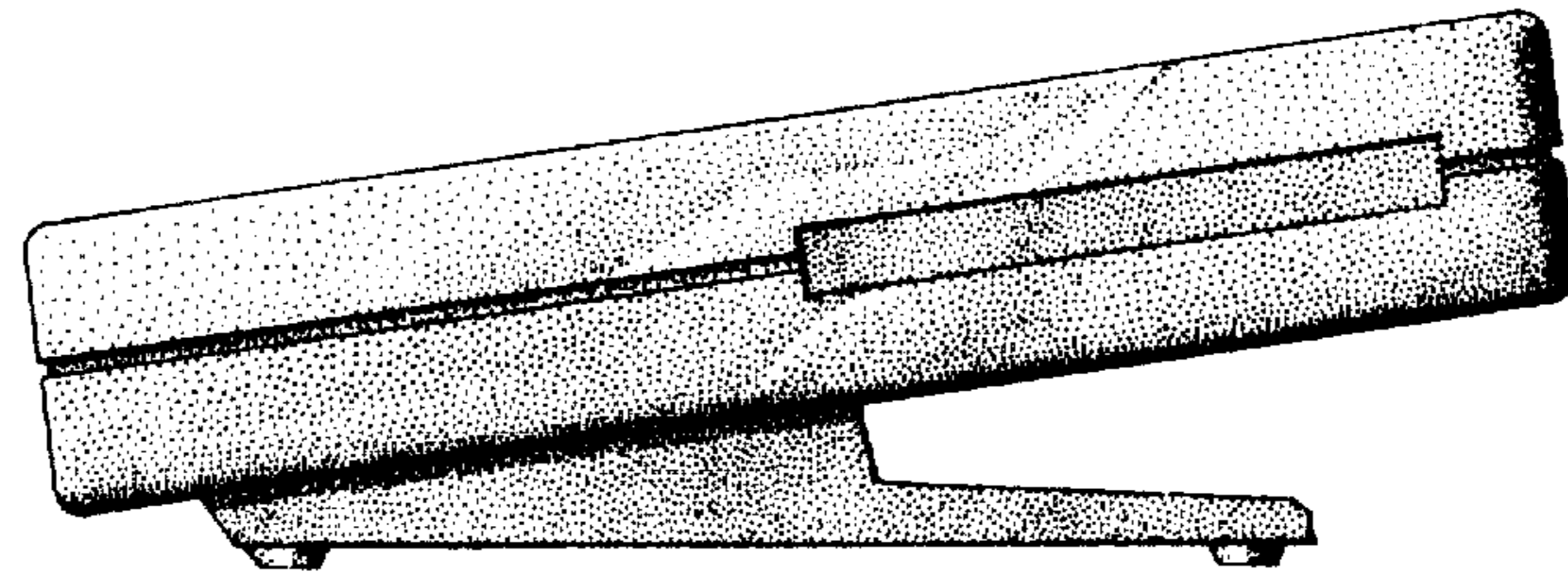


FIG. 11

