

[54] **PLANTER**

[76] **Inventor:** Andrew M. Neil, 3 Cancell Rd.,
London, England

[**] **Term:** 14 Years

[21] **Appl. No.:** 289,704

[22] **Filed:** Aug. 3, 1981

[30] **Foreign Application Priority Data**

Feb. 10, 1981 [GB] United Kingdom 81998837

[51] **Int. Cl.** D11-02; D6-06;
D30-03

[52] **U.S. Cl.** D11/156; D6/183;
D30/13

[58] **Field of Search** D11/143-156,
D11/164; D30/6, 8, 11, 13, 16; 119/61; 47/66,
67, 69, 72-74, 79-83, 85-87, 41 R

[56] **References Cited**

U.S. PATENT DOCUMENTS

D. 256,683	9/1980	Merritt	D11/156
339,694	4/1886	Rine et al.	119/61
432,671	7/1890	Kent	119/61
749,717	1/1904	Carpenter	119/61
1,644,263	6/1928	Moellring	119/61

Primary Examiner—B. J. Bullock

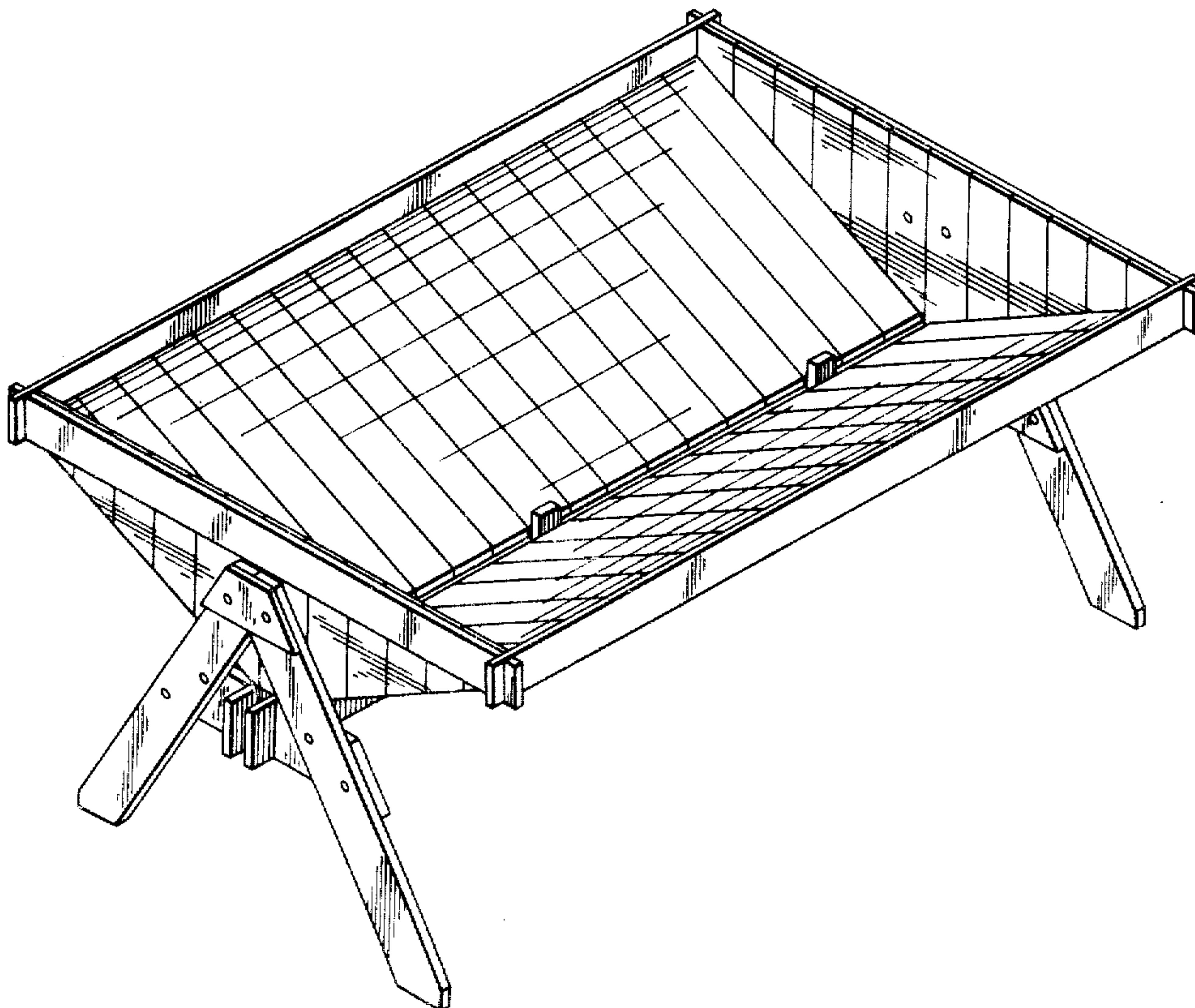
Attorney, Agent, or Firm—Cohn, Powell & Hind

[57] **CLAIM**

The ornamental design for a planter, as shown and described.

DESCRIPTION

FIG. 1 is a front isometric view of a planter from one side, showing my new design,
FIG. 2 is a side elevational view thereof;
FIG. 3 is a top plan view thereof;
FIG. 4 is an end elevational view thereof.



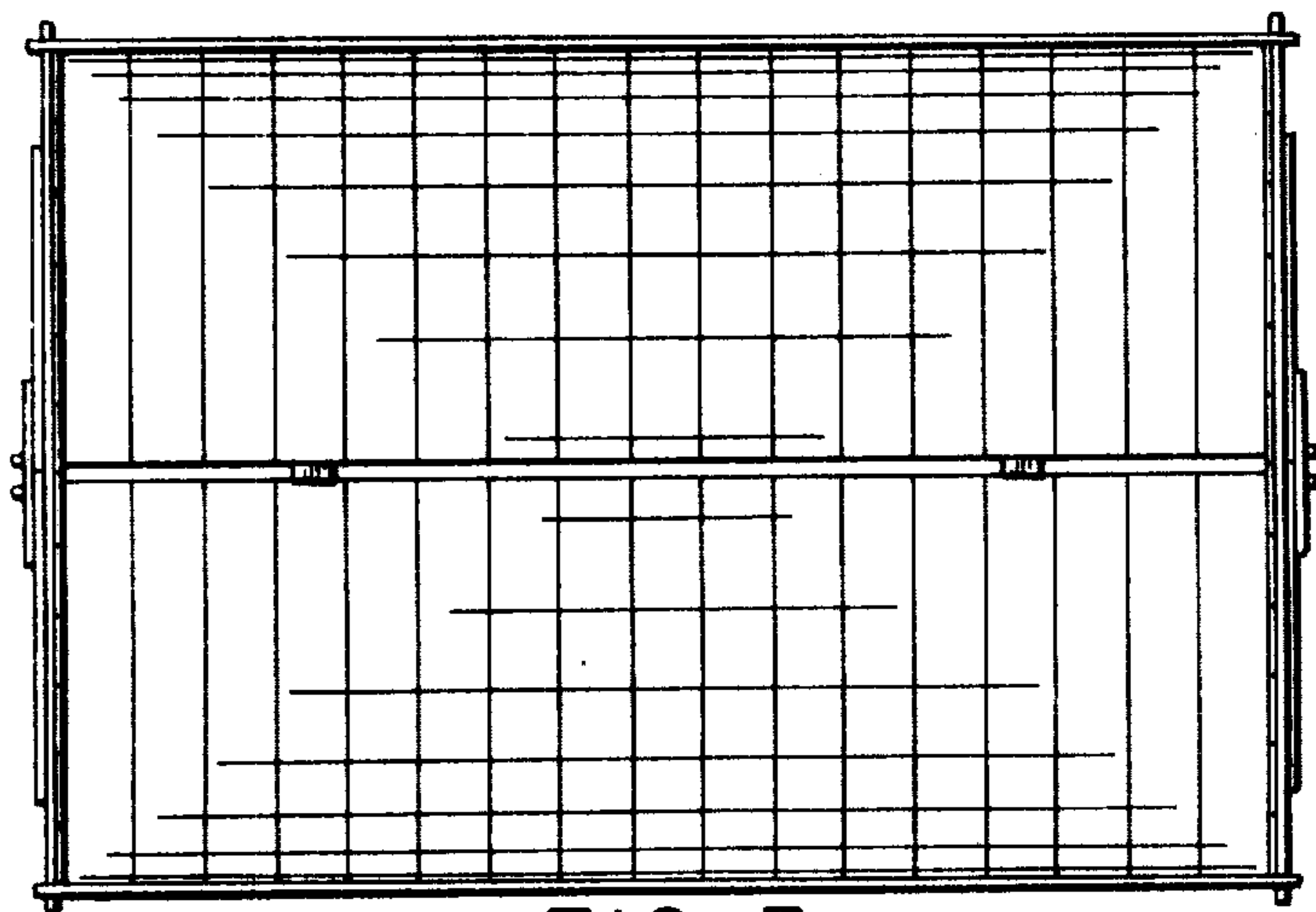


FIG. 3

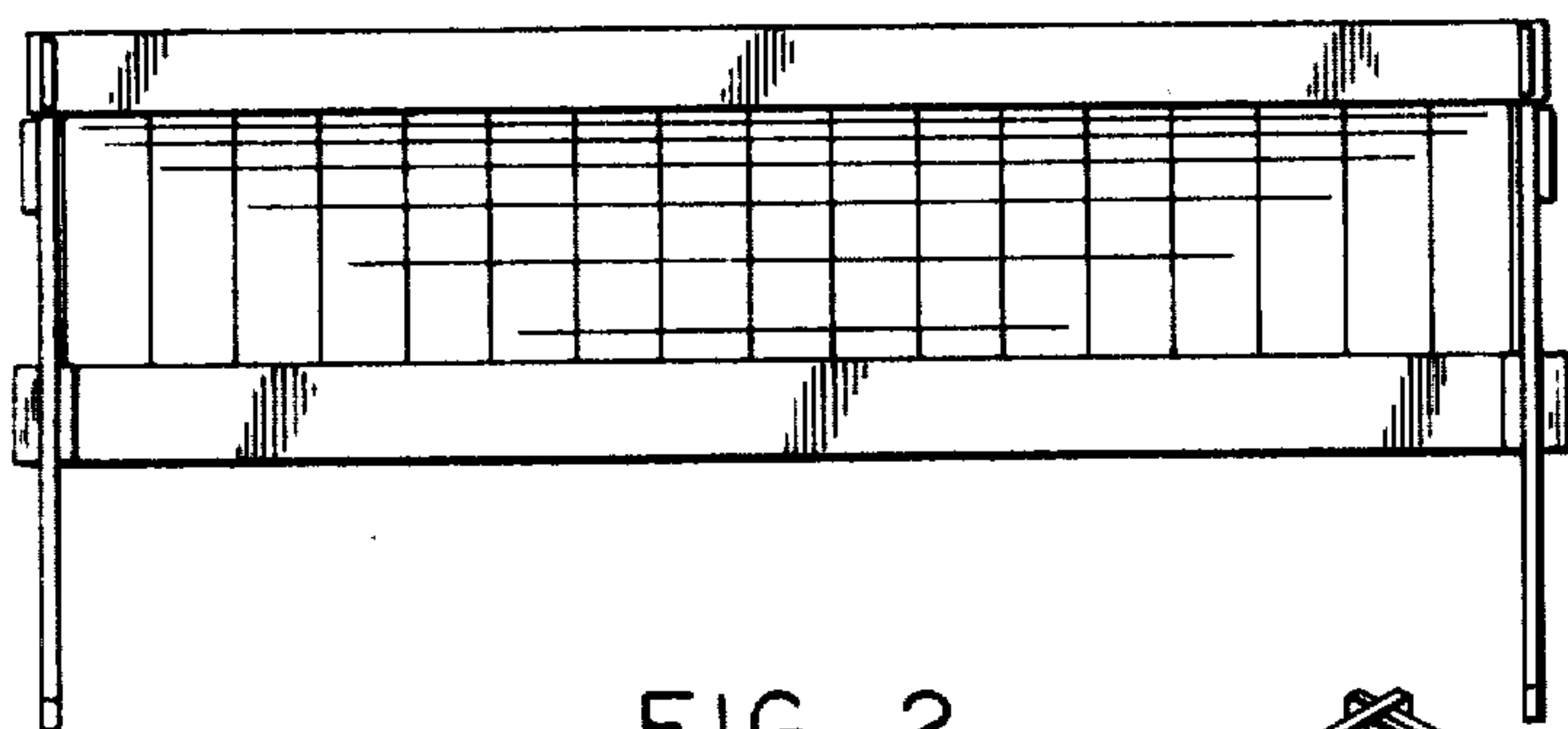


FIG. 2

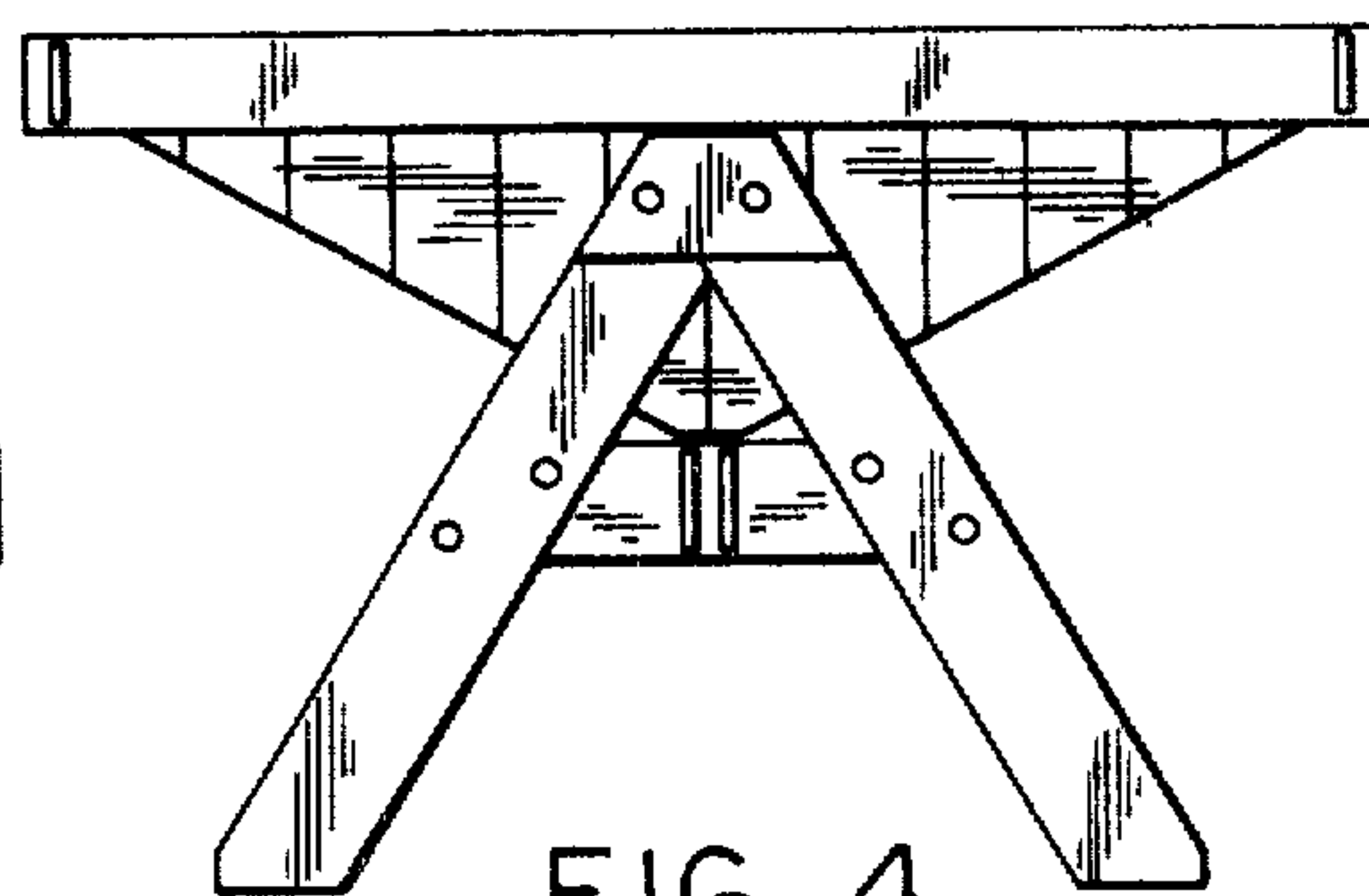


FIG. 4

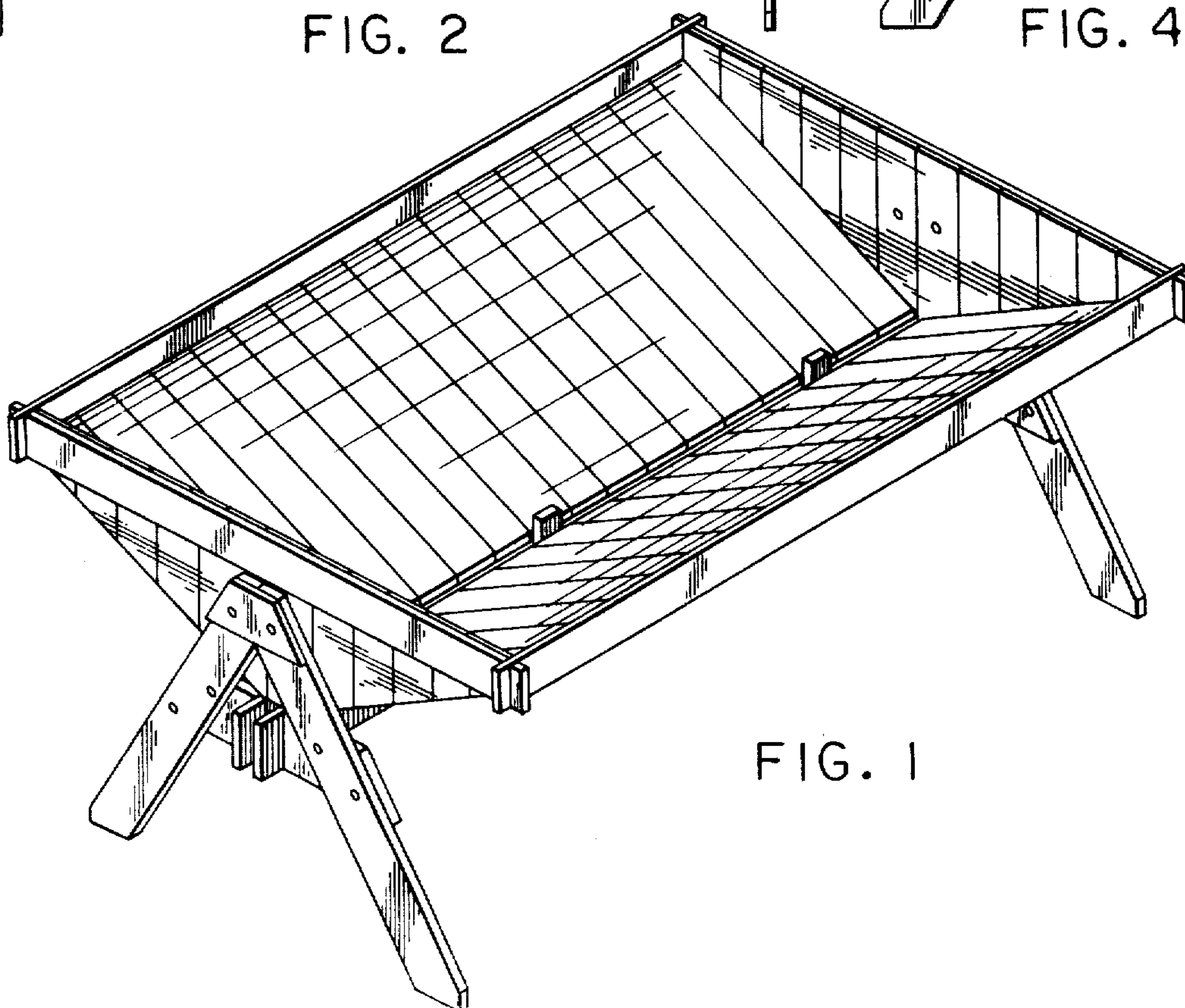


FIG. 1