

- [54] **WIRE FORM FLOWER ARRANGEMENT FRAME DESIGN**
- [75] Inventor: **Roderic M. Koch**, Evansville, Ind.
- [73] Assignee: **George Koch Sons, Inc.**, Evansville, Ind.
- [\*\*] Term: **14 Years**
- [21] Appl. No.: **268,698**
- [22] Filed: **Jun. 1, 1981**
- [51] Int. Cl. .... **D11-02; D8-99**
- [52] U.S. Cl. .... **D11/143; D8/1; D11/164**
- [58] Field of Search ..... **D11/143, 146, 147, 148, D11/164; D6/182, 183; D25/71; D8/1; 47/41 R, 41.1, 44, 47, 41.12, 41.13; 211/181; 248/27.8, 156, 175**

[56] **References Cited**  
**U.S. PATENT DOCUMENTS**

D. 110,551	7/1938	Smith	.....	D6/182
D. 157,366	2/1950	Gerth	.....	D11/143
1,610,259	12/1926	Clark	.....	248/156
1,664,019	3/1928	Blackman	.....	D25/71
1,920,551	8/1933	Daum	.....	47/41.12
1,925,927	9/1933	McKain	.....	248/27.8
2,075,006	3/1937	Braun	.....	248/27.8

*Primary Examiner*—B. J. Bullock  
*Attorney, Agent, or Firm*—Barnes & Thornburg

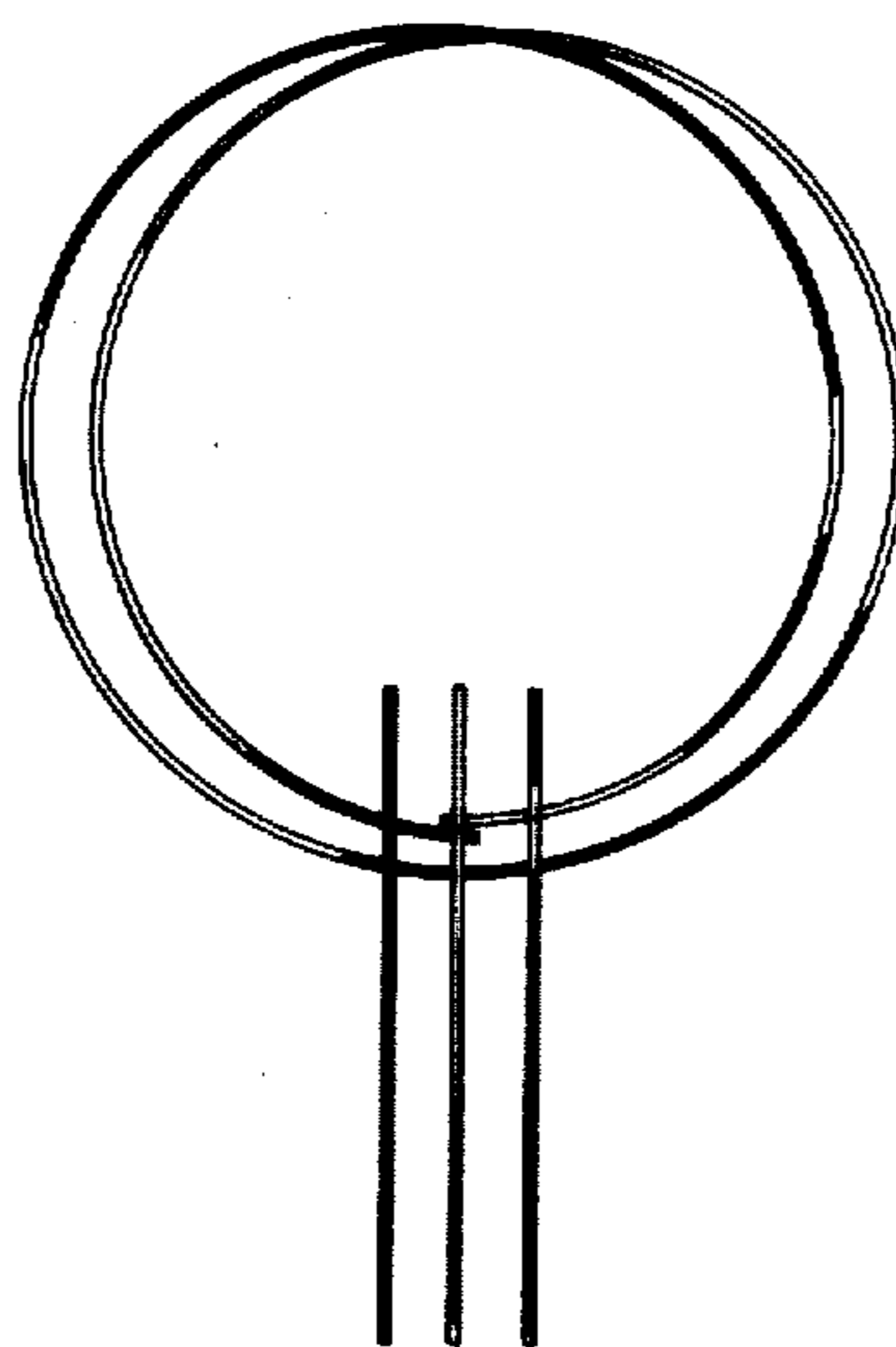
[57] **CLAIM**

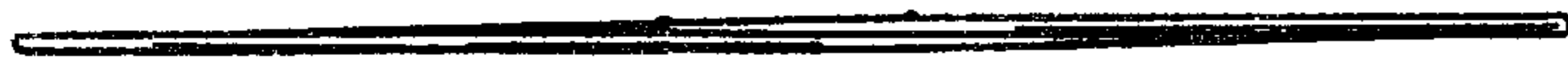
The ornamental design for a wire form flower arrangement frame or similar article, as shown and described.

**DESCRIPTION**

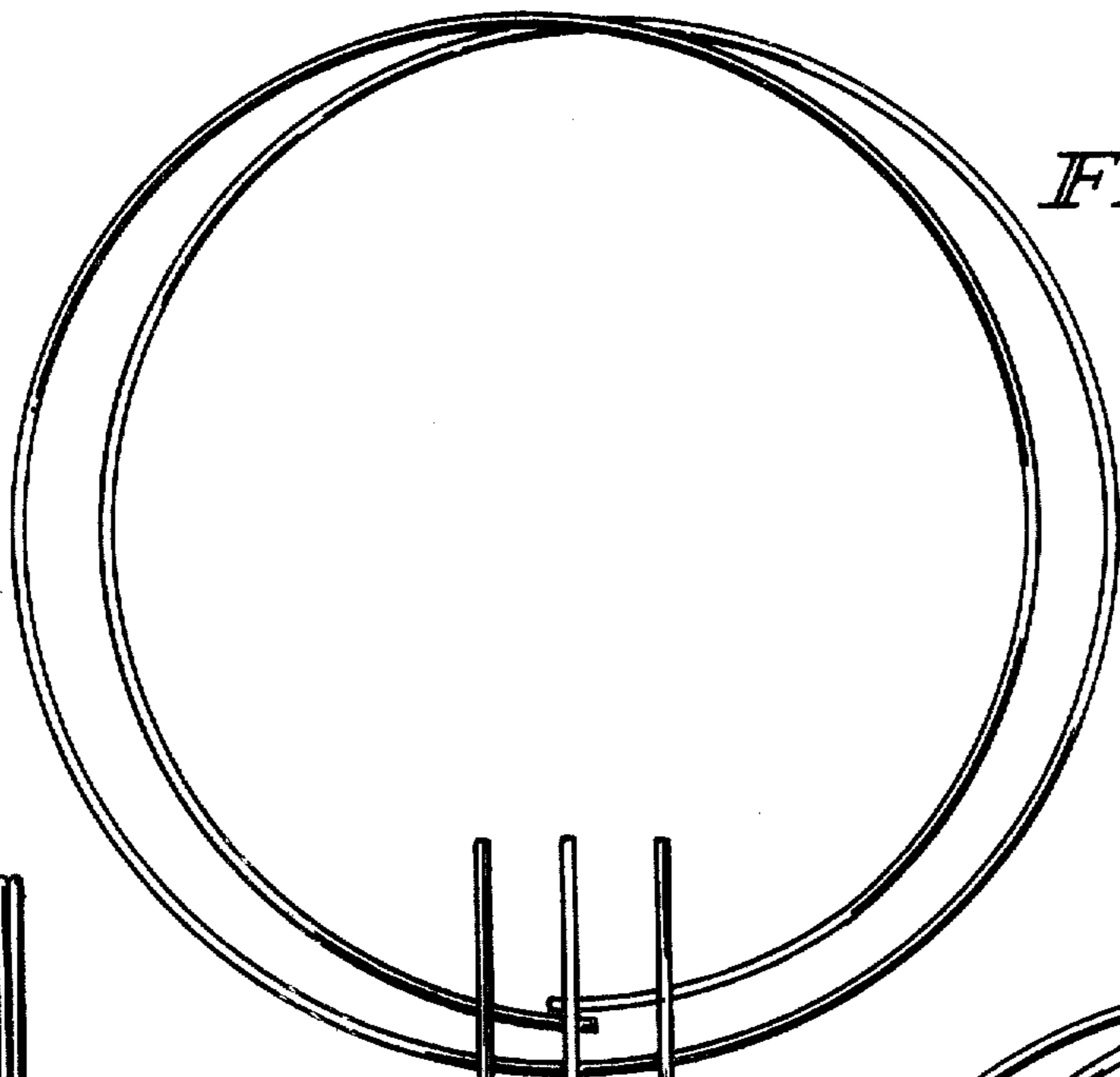
FIG. 1 is a front elevational view of a wire form flower arrangement frame or similar article showing my new design;  
FIG. 2 is a rear elevational view of FIG. 1;  
FIG. 3 is a top plan view of FIG. 1;

FIG. 4 is a side elevational view taken from the left of FIG. 1;  
FIG. 5 is a side elevational view taken from the right of FIG. 1;  
FIG. 6 is a bottom plan view of FIG. 1;  
FIG. 7 is a front elevational view of a second embodiment of the design of FIG. 1;  
FIG. 8 is a rear elevational view of FIG. 7;  
FIG. 9 is a top plan view of FIG. 7;  
FIG. 10 is a side elevational view taken from the left of FIG. 7;  
FIG. 11 is a side elevational view taken from the right of FIG. 7;  
FIG. 12 is a bottom plan view of FIG. 7;  
FIG. 13 is a front elevational view of a third embodiment of the design of FIG. 1;  
FIG. 14 is a rear elevational view of FIG. 13;  
FIG. 15 is a top plan view of FIG. 13;  
FIG. 16 is a side elevational view taken from the left of FIG. 13;  
FIG. 17 is a side elevational view taken from the right of FIG. 13;  
FIG. 18 is a bottom plan view of FIG. 13;  
FIG. 19 is a front elevational view of a fourth embodiment of the design of FIG. 1;  
FIG. 20 is a rear elevational view of FIG. 19;  
FIG. 21 is a top plan view of FIG. 19;  
FIG. 22 is a side elevational view taken from the left of FIG. 19;  
FIG. 23 is a side elevational view taken from the right of FIG. 19;  
FIG. 24 is a bottom plan view of FIG. 19;  
FIG. 25 is a front elevational view of a fifth embodiment of the design of FIG. 1;  
FIG. 26 is a rear elevational view of FIG. 25;  
FIG. 27 is a top plan view of FIG. 25;  
FIG. 28 is a side elevational view taken from the left of FIG. 25;  
FIG. 29 is a side elevational view taken from the right of FIG. 25;  
FIG. 30 is a bottom plan view of FIG. 25.





*FIG. 3*

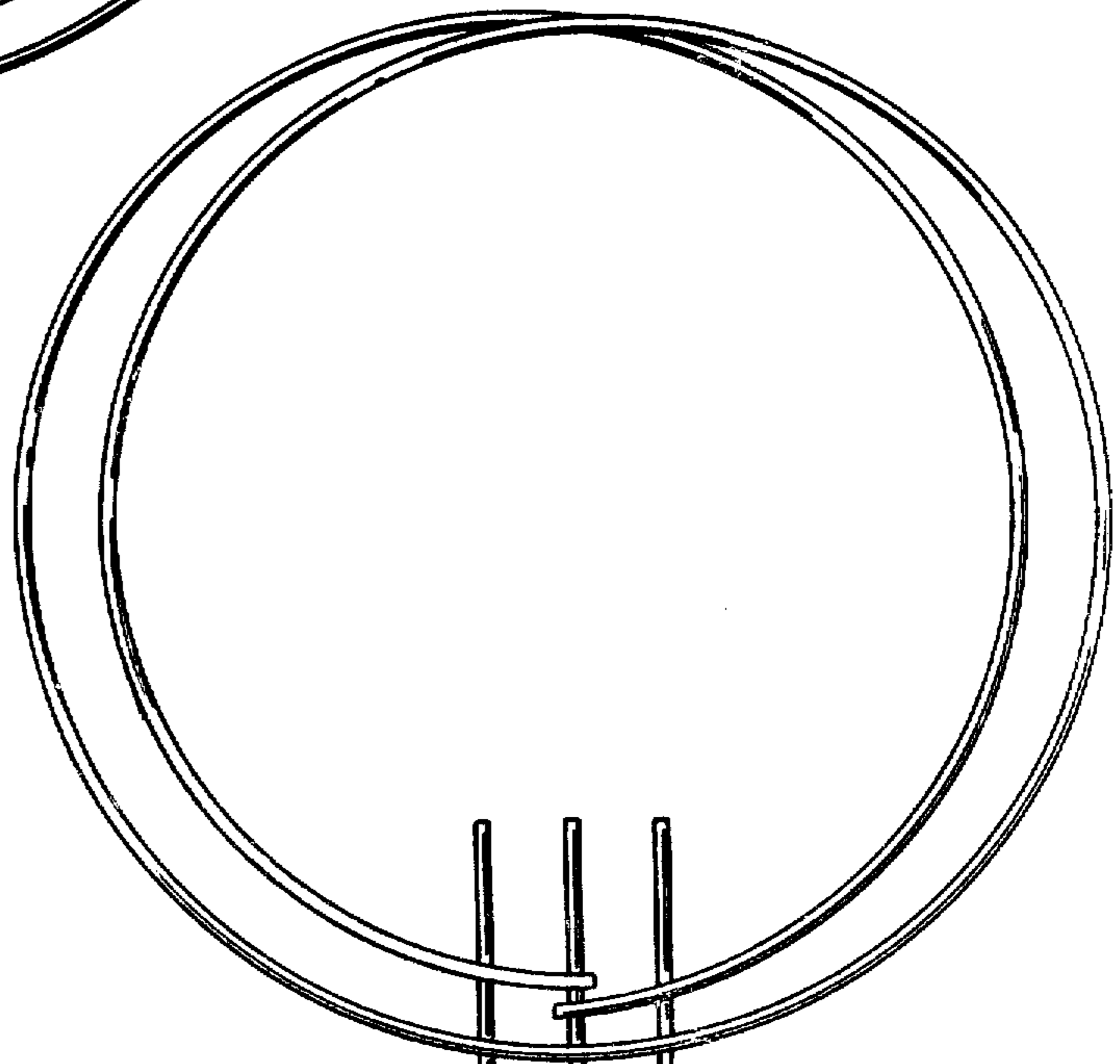


*FIG. 1*

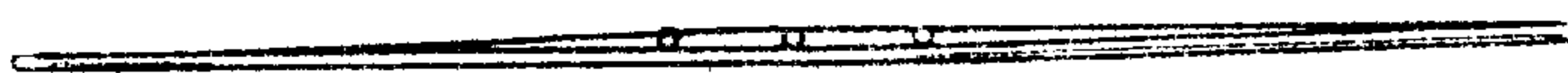
*FIG. 5*



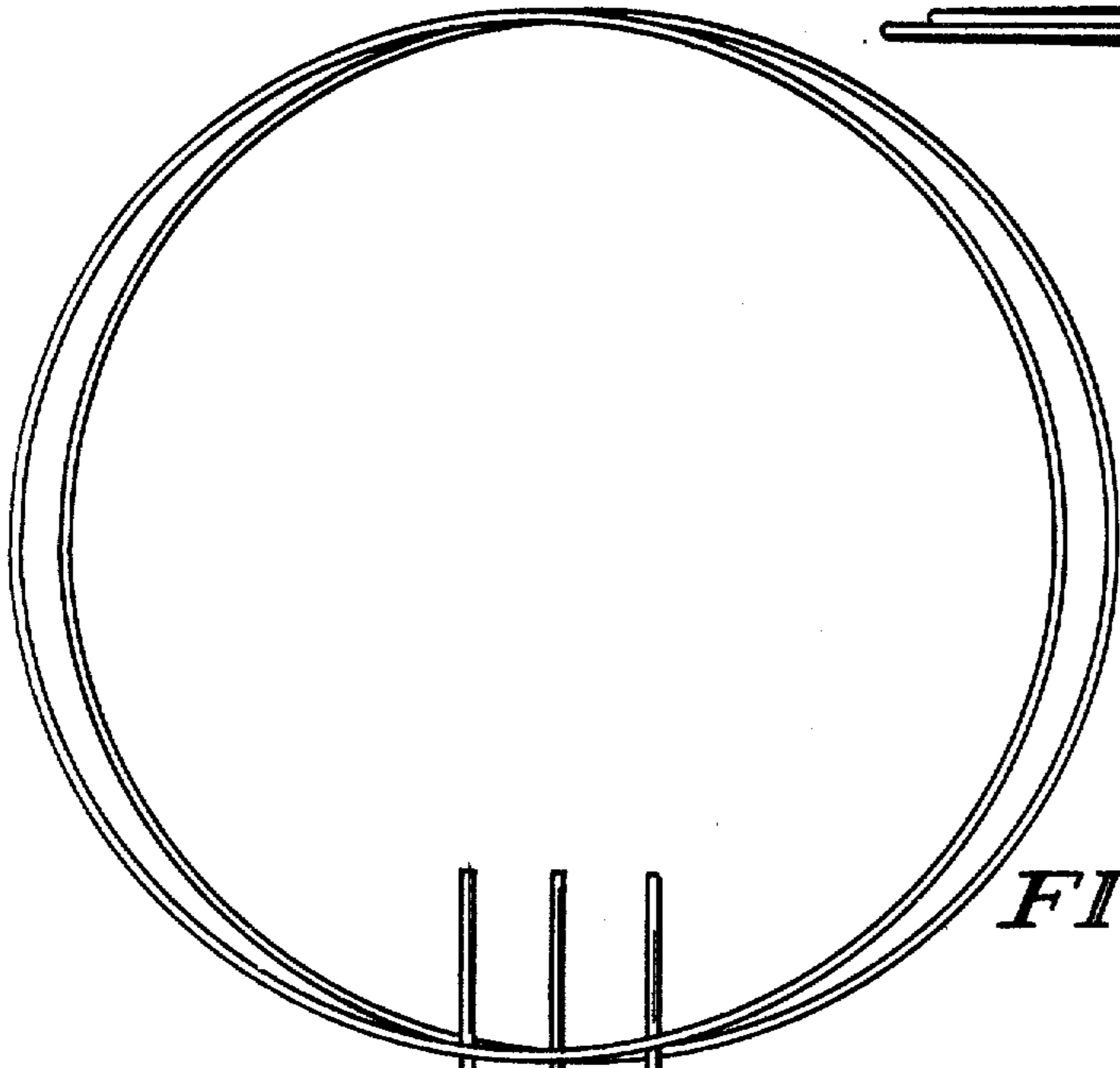
*FIG. 4*



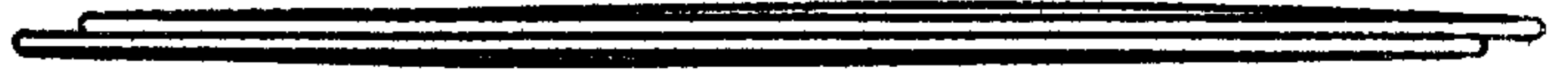
*FIG. 2*



*FIG. 6*



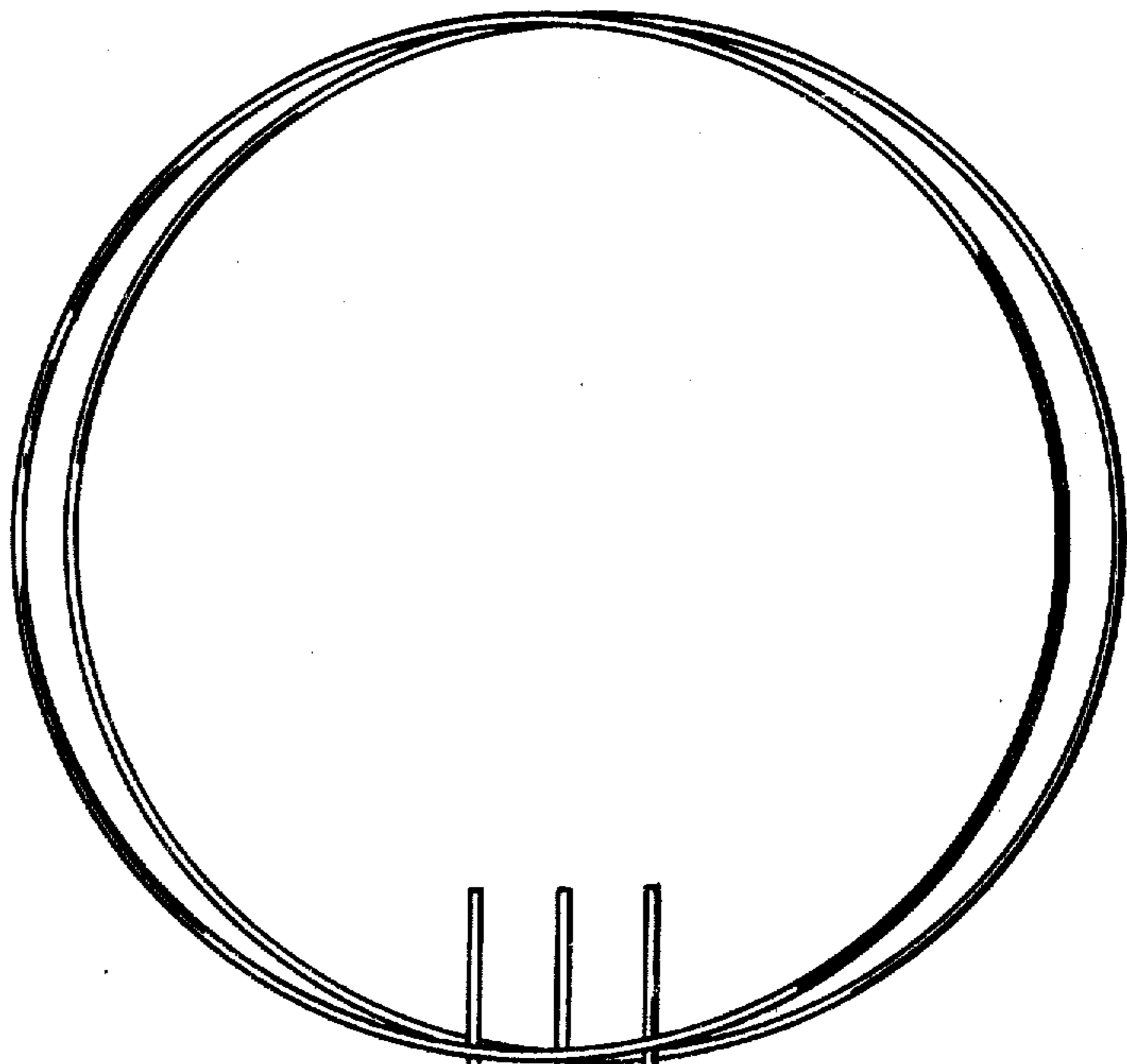
*FIG. 7*



*FIG. 9*



*FIG. 10*



*FIG. 8*

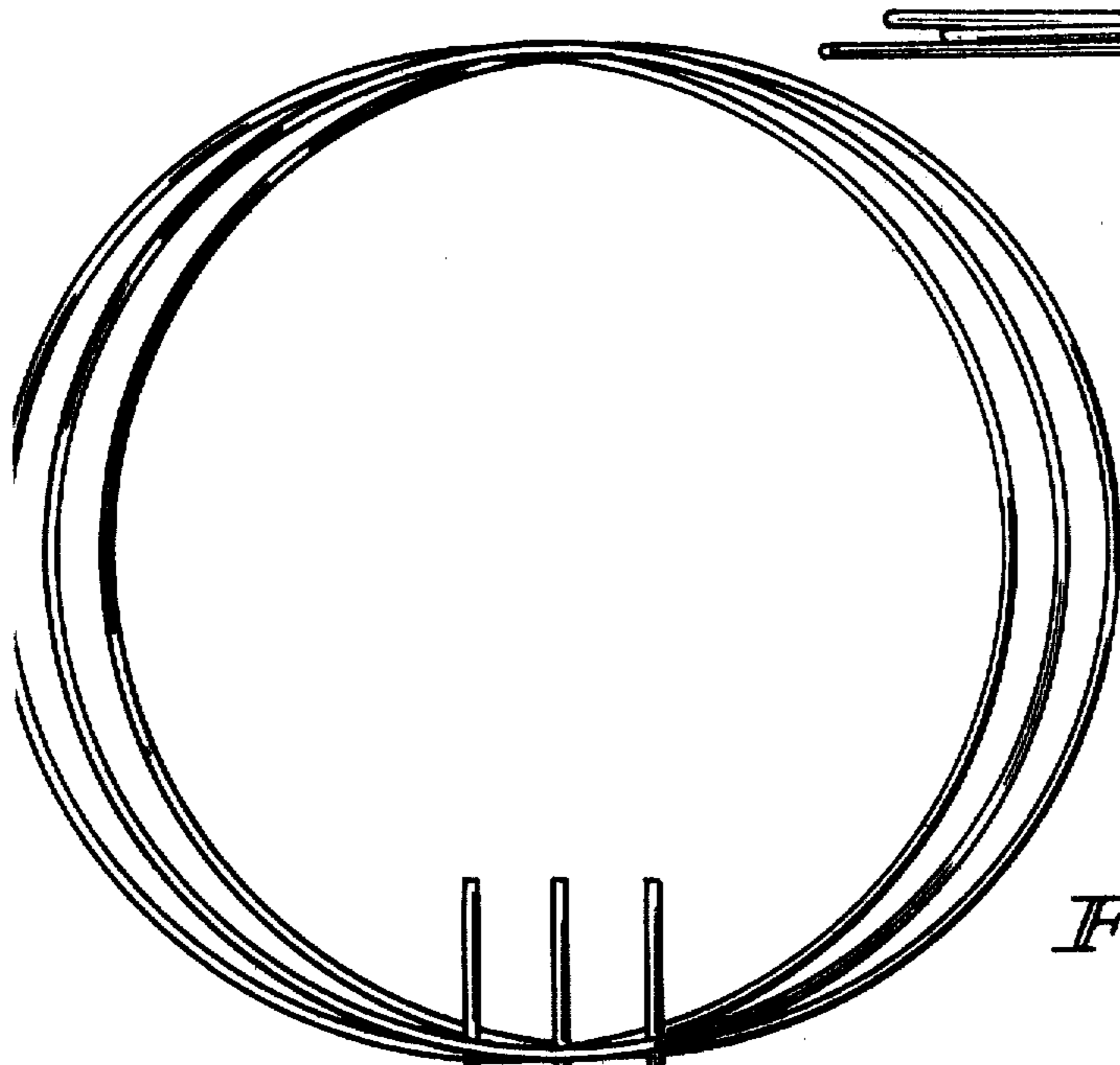


*FIG. 11*



*FIG. 12*





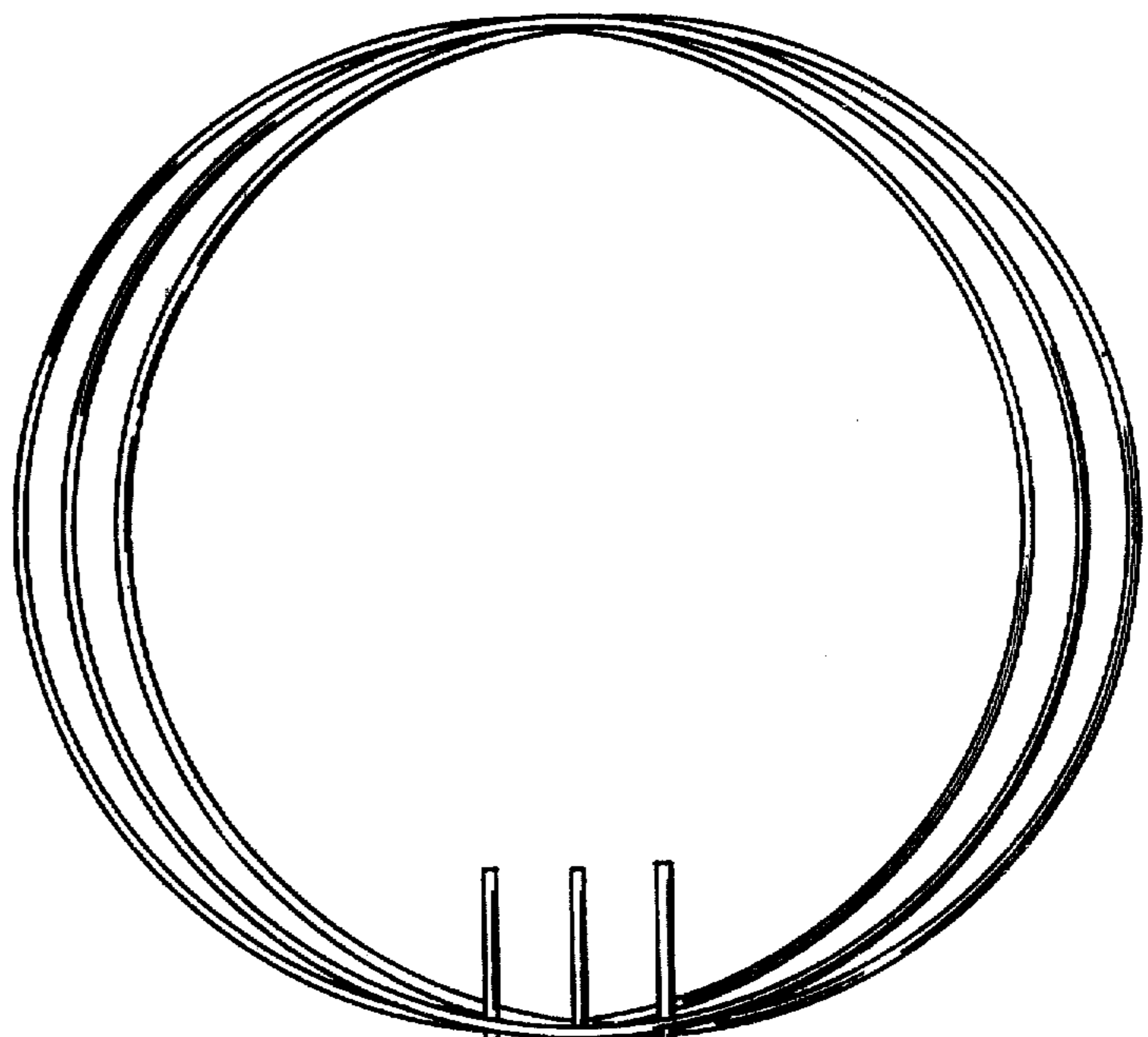
*FIG. 13*



*FIG. 15*



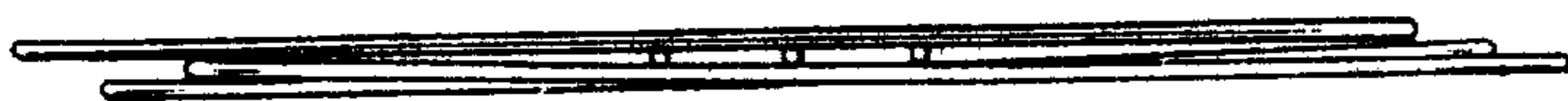
*FIG. 16*



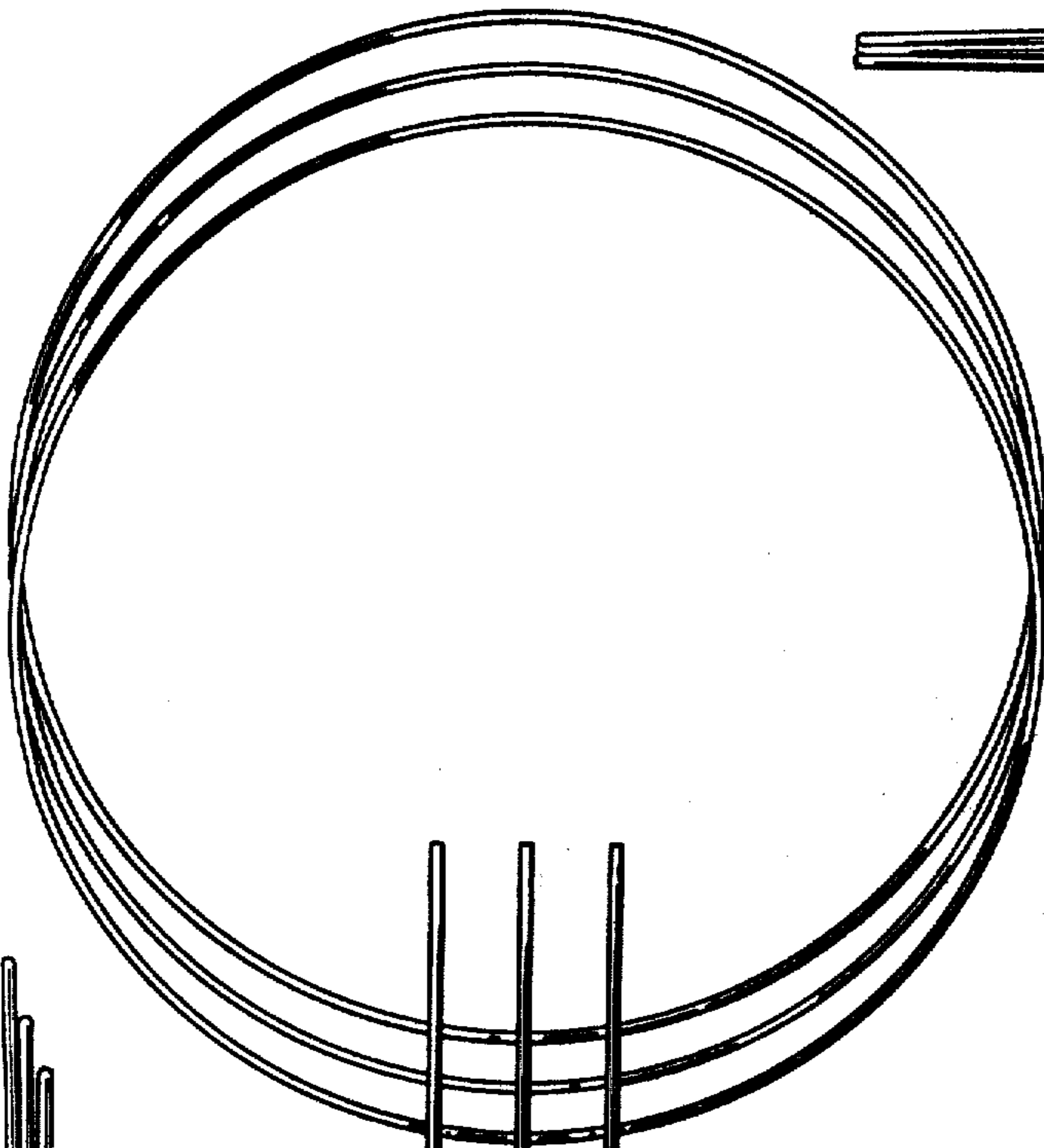
*FIG. 14*



*FIG. 17*



*FIG. 18*



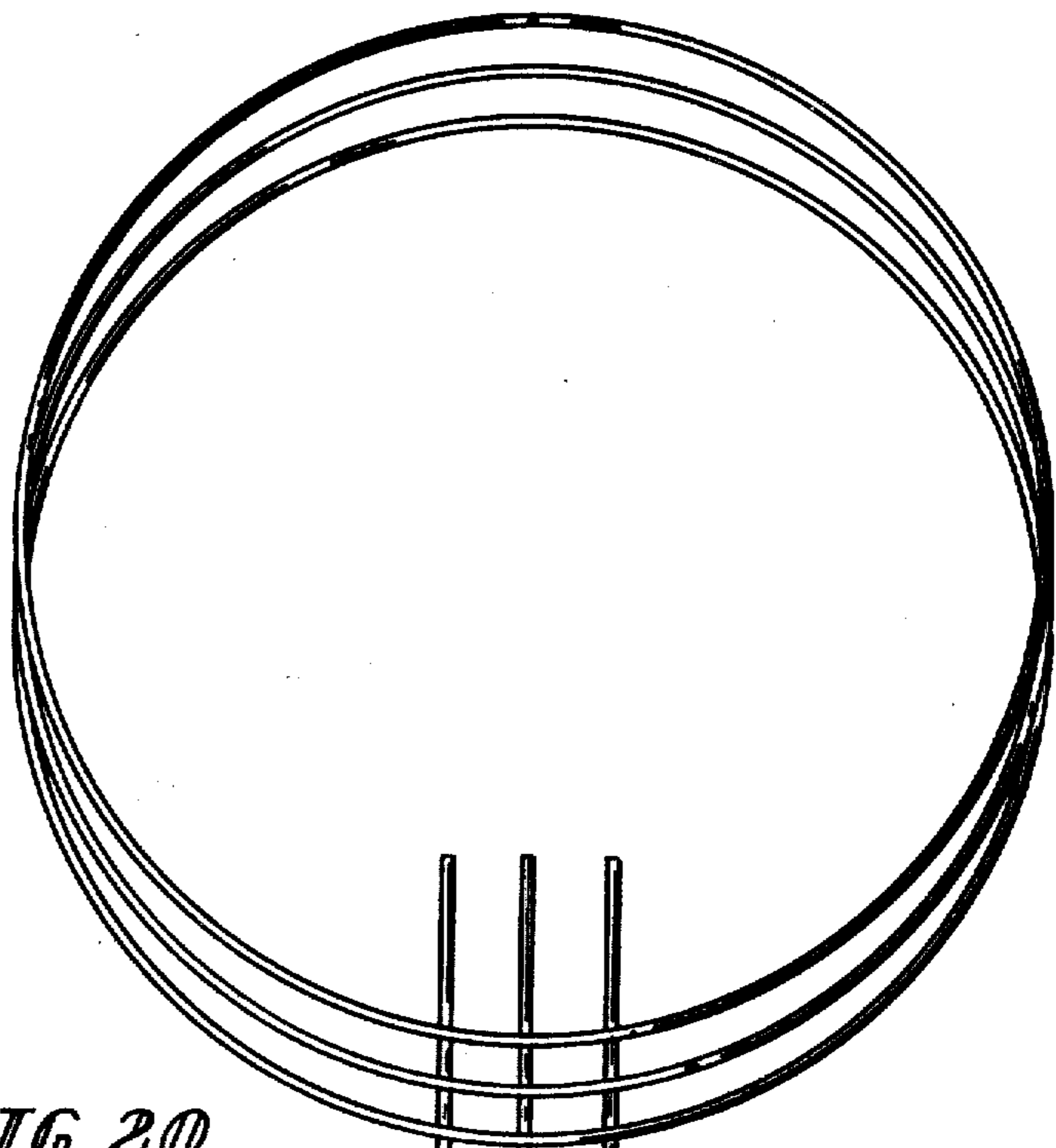
*FIG. 19*



*FIG. 21*



*FIG. 22*



*FIG. 20*



*FIG. 24*



*FIG. 23*

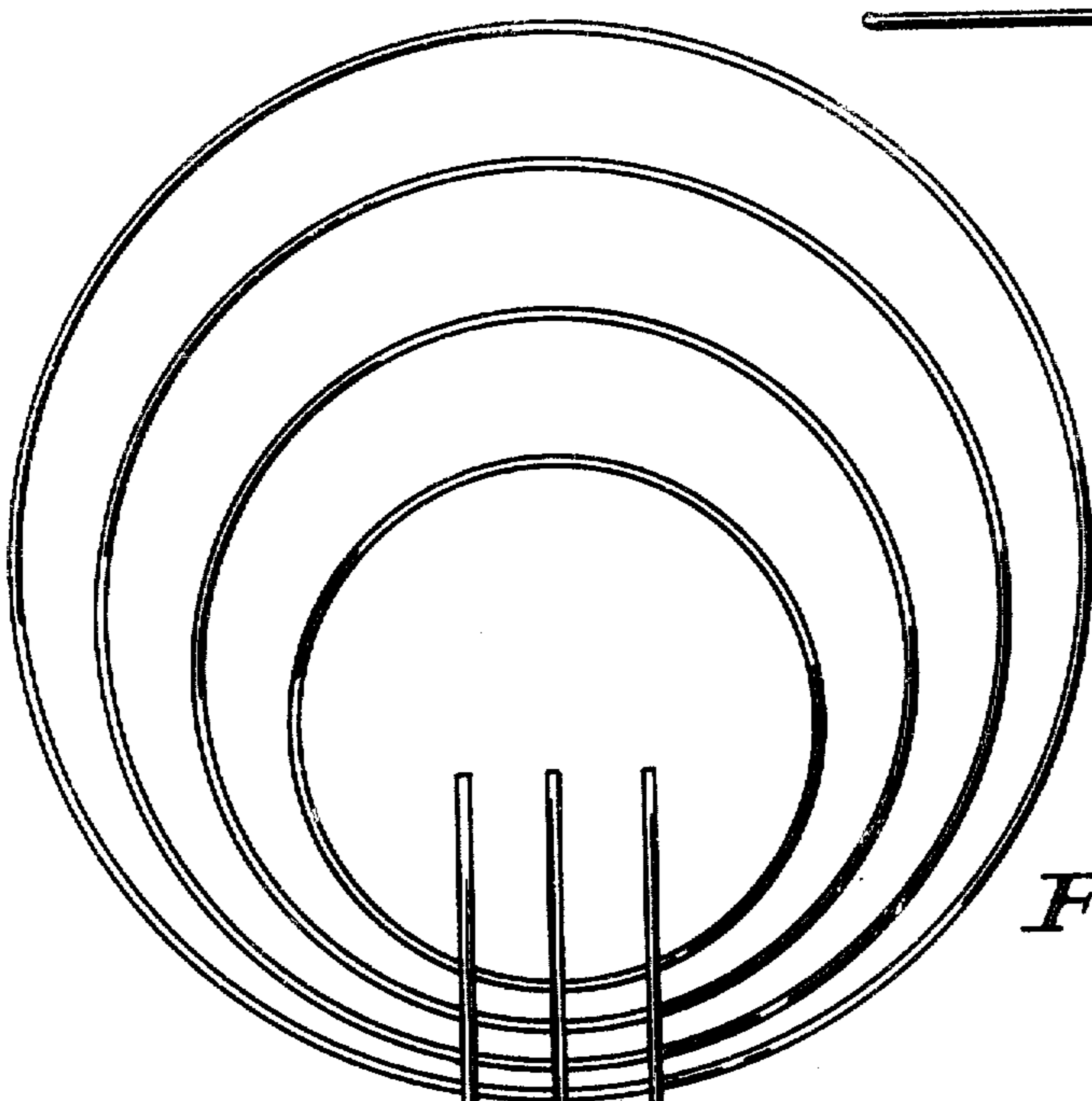


FIG 27



FIG 25



FIG 28

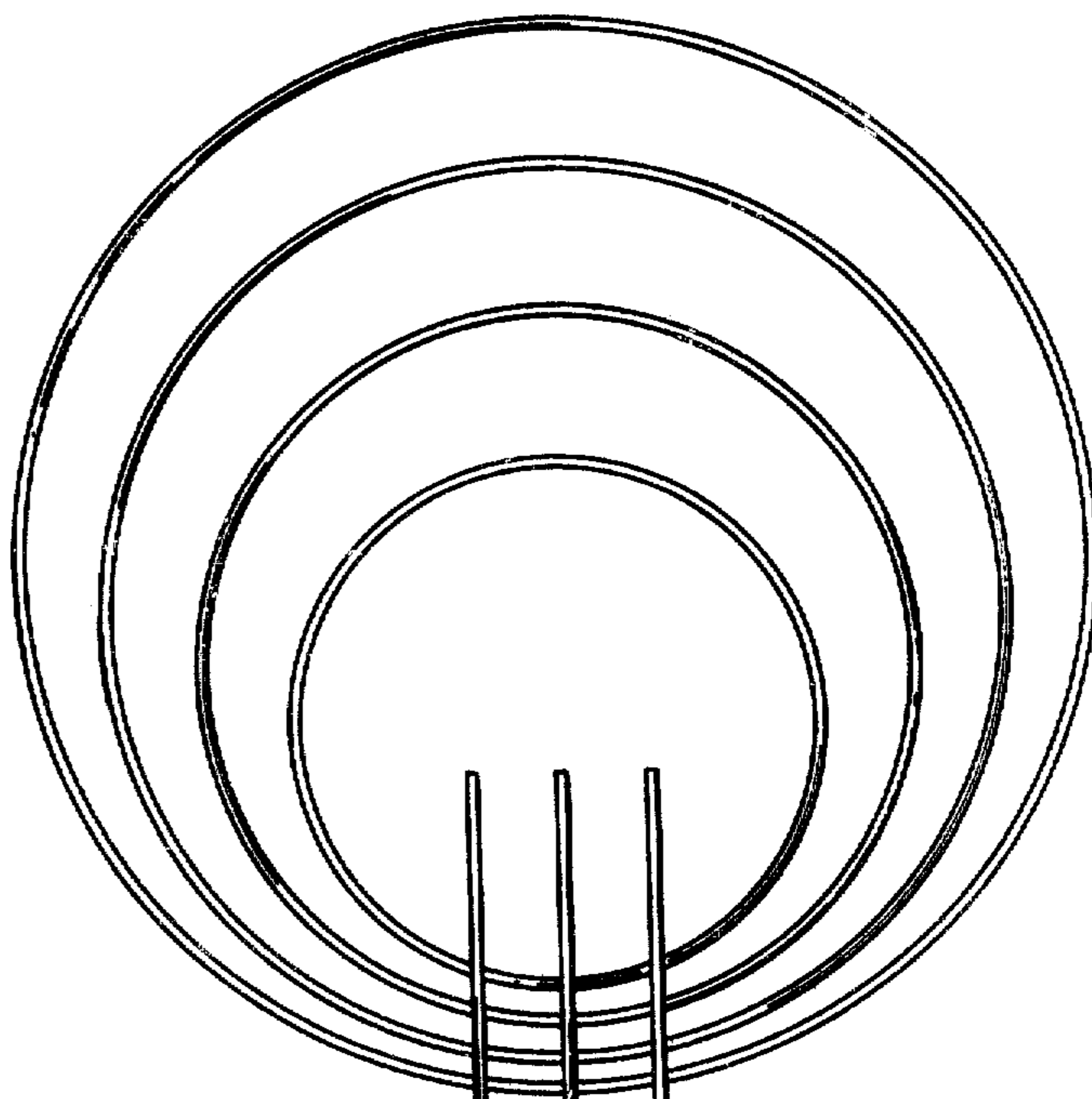


FIG 26

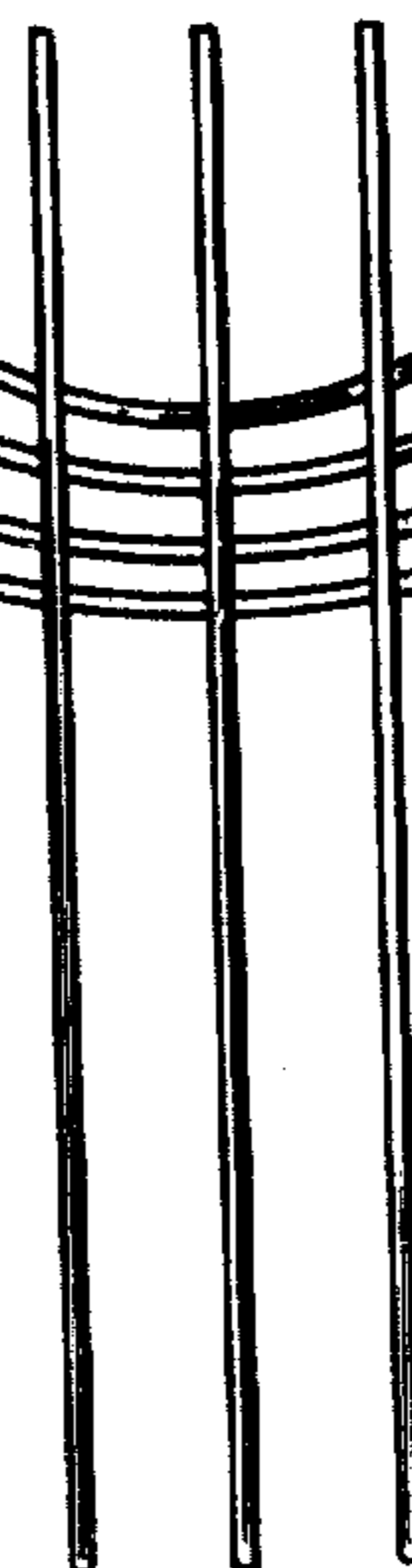


FIG 29

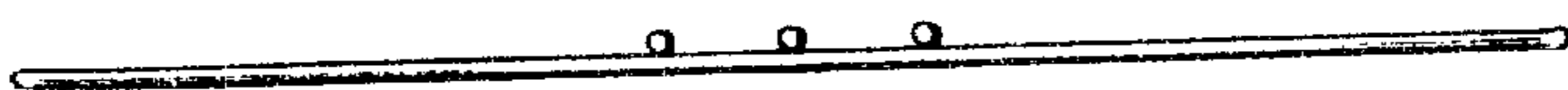


FIG 30