

[54] SHEAR GAGE

[76] Inventor: Paul J. Rakoczy, 28810 Village La., Farmington Hills, Mich. 48024

[**] Term: 14 Years

[21] Appl. No.: 309,554

[22] Filed: Oct. 8, 1981

[51] Int. Cl. D10-04

[52] U.S. Cl. D10/62

[58] Field of Search D10/61, 62, 64, 65; 33/174 B, 174 G, 474, 476

[56] References Cited

U.S. PATENT DOCUMENTS

D. 146,285 1/1947 Musgrave D10/64

D. 157,218	2/1950	Vanderbrook	D10/62
D. 189,990	3/1961	Wern	D10/62
D. 191,135	8/1961	Martin	D10/62
D. 192,383	3/1962	Rogers	D10/64
D. 251,113	2/1979	Oseka	D10/65
2,080,620	5/1937	Martin	D10/62 X

Primary Examiner—Nelson C. Holtje

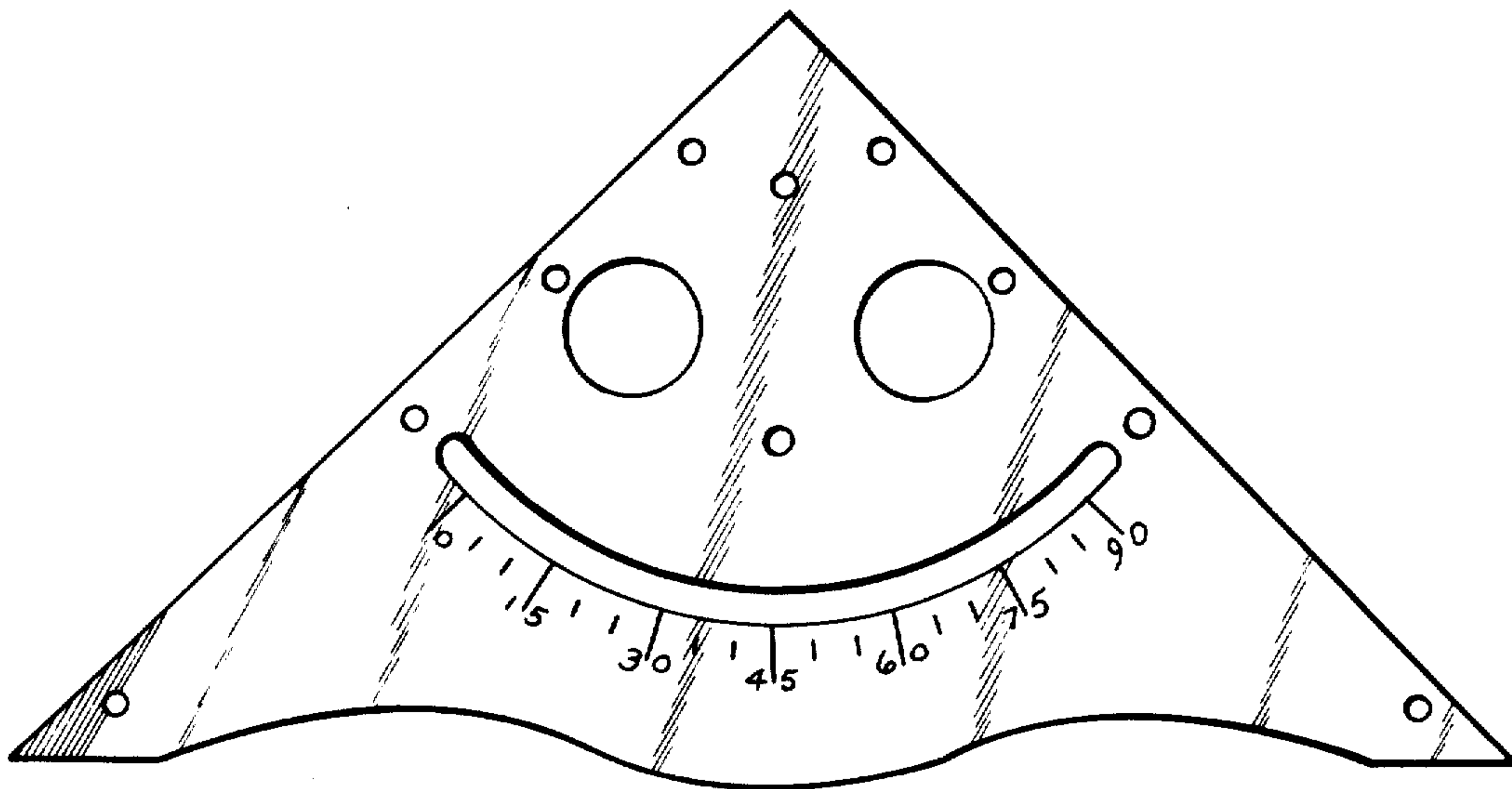
Attorney, Agent, or Firm—Basile, Weintraub & Hanlon

[57] CLAIM

The ornamental design for a shear gage, as shown and described.

DESCRIPTION

FIG. 1 is a front elevational view of a design, the rear being substantially plain and unornamented; FIG. 2 is a perspective side elevational view thereof; FIG. 3 is a bottom plan view thereof.



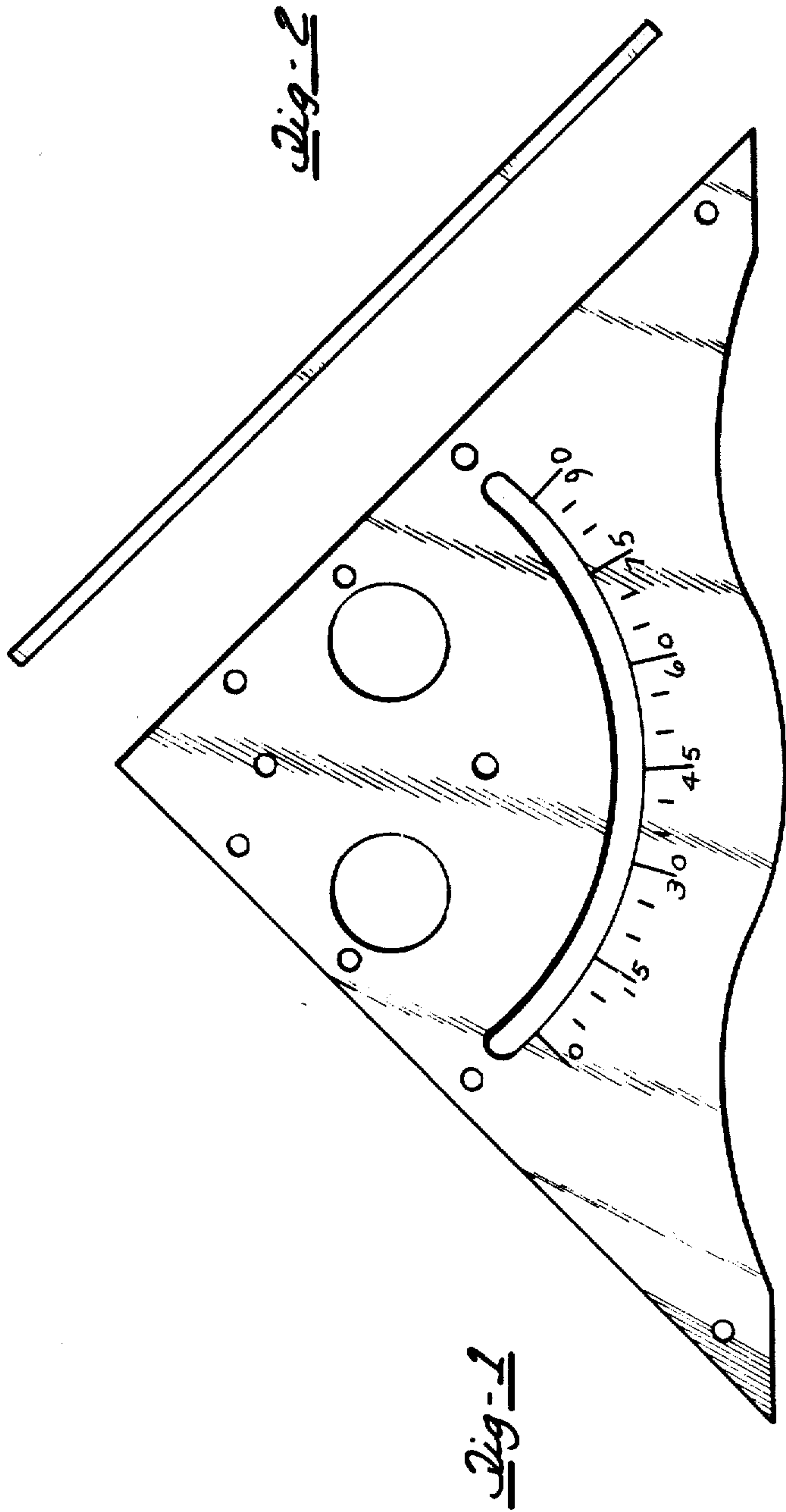


Fig. 2

