

[54] **SKI CLIP**
[76] Inventor: **David E. Calapp, 4056 - 172nd Pl. SE., Bellevue, Wash. 98008**
[**] Term: **14 Years**
[21] Appl. No.: **310,514**
[22] Filed: **Oct. 13, 1981**
[51] Int. Cl. **D8-08**
[52] U.S. Cl. **D8/395; D3/36; D8/107; D21/230**
[58] Field of Search **D3/30.1, 36-38; D8/313, 373, 394, 396, 107; 24/255 R, 259; 294/147; 211/60 SK; D21/229, 230; 280/814, 815**

[56] **References Cited**
U.S. PATENT DOCUMENTS
D. 239,501 4/1976 Joon **D8/395**
3,366,297 1/1968 Barsell **224/45**
3,683,462 8/1972 Voight **24/255 R**

3,877,623 4/1975 Breault 294/147
3,893,606 7/1975 Hofmann 294/147

FOREIGN PATENT DOCUMENTS

1177053 8/1964 Fed. Rep. of Germany 280/814

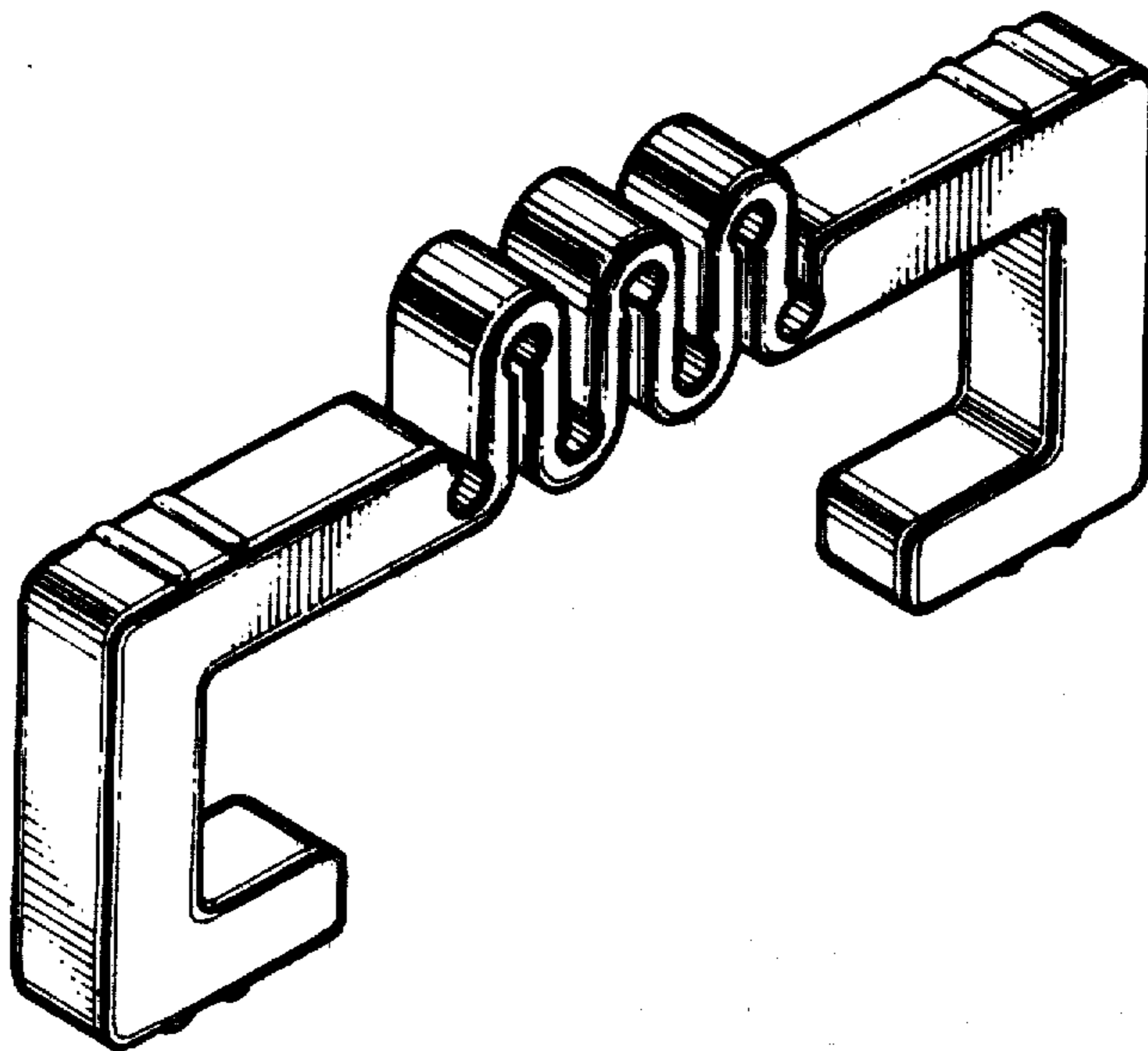
Primary Examiner—George P. Word
Attorney, Agent, or Firm—Christensen, O'Connor, Johnson & Kindness

[57] **CLAIM**

The ornamental design for a ski clip, substantially as shown and described.

DESCRIPTION

FIG. 1 is a perspective view of a ski clip showing my new design;
FIG. 2 is a front elevational view thereof, the rear elevation view being identical thereto;
FIG. 3 is a top plan view thereof;
FIG. 4 is a bottom plan view thereof; and,
FIG. 5 is a right side elevational view thereof, the left side elevation view thereof being identical thereto.



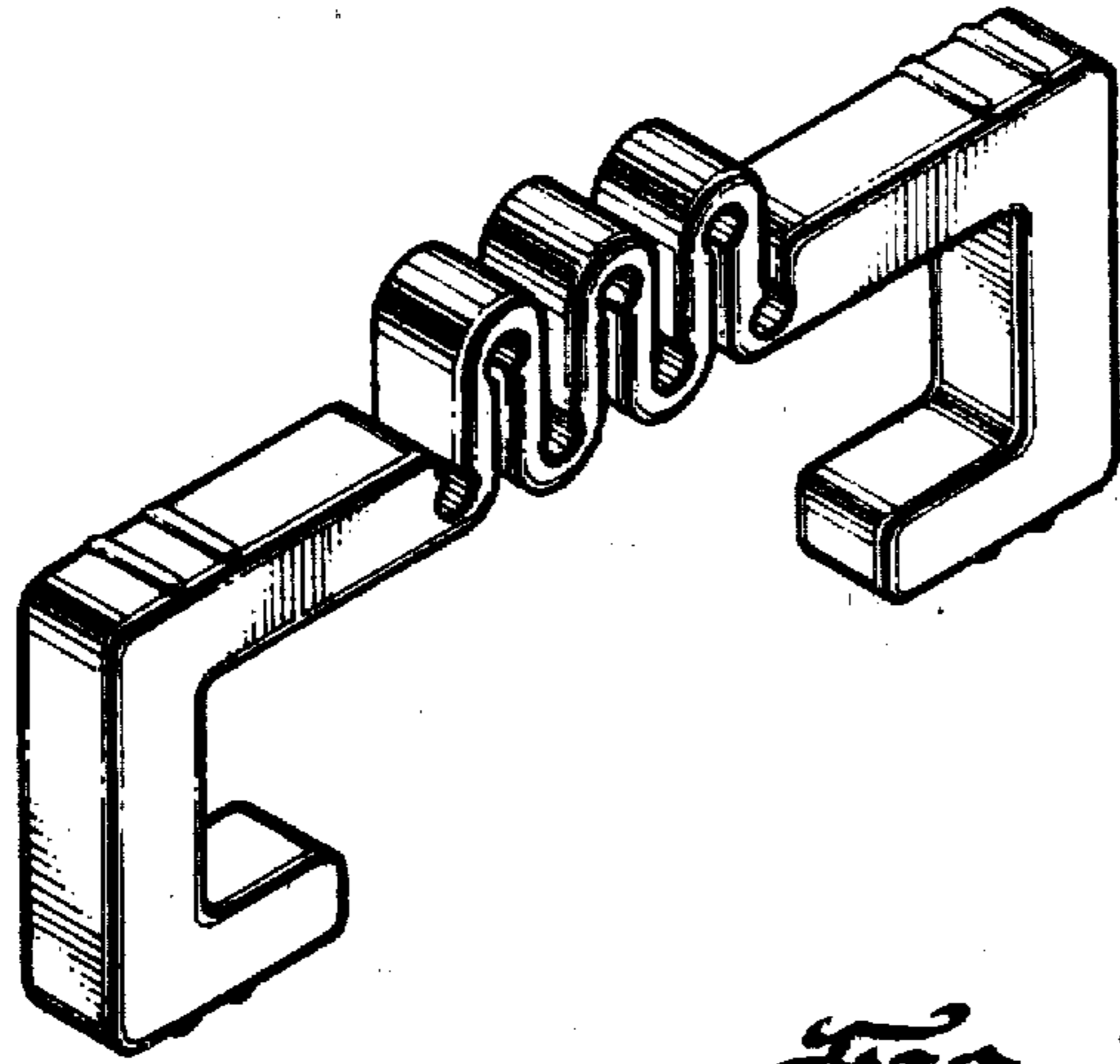


Fig. 1.

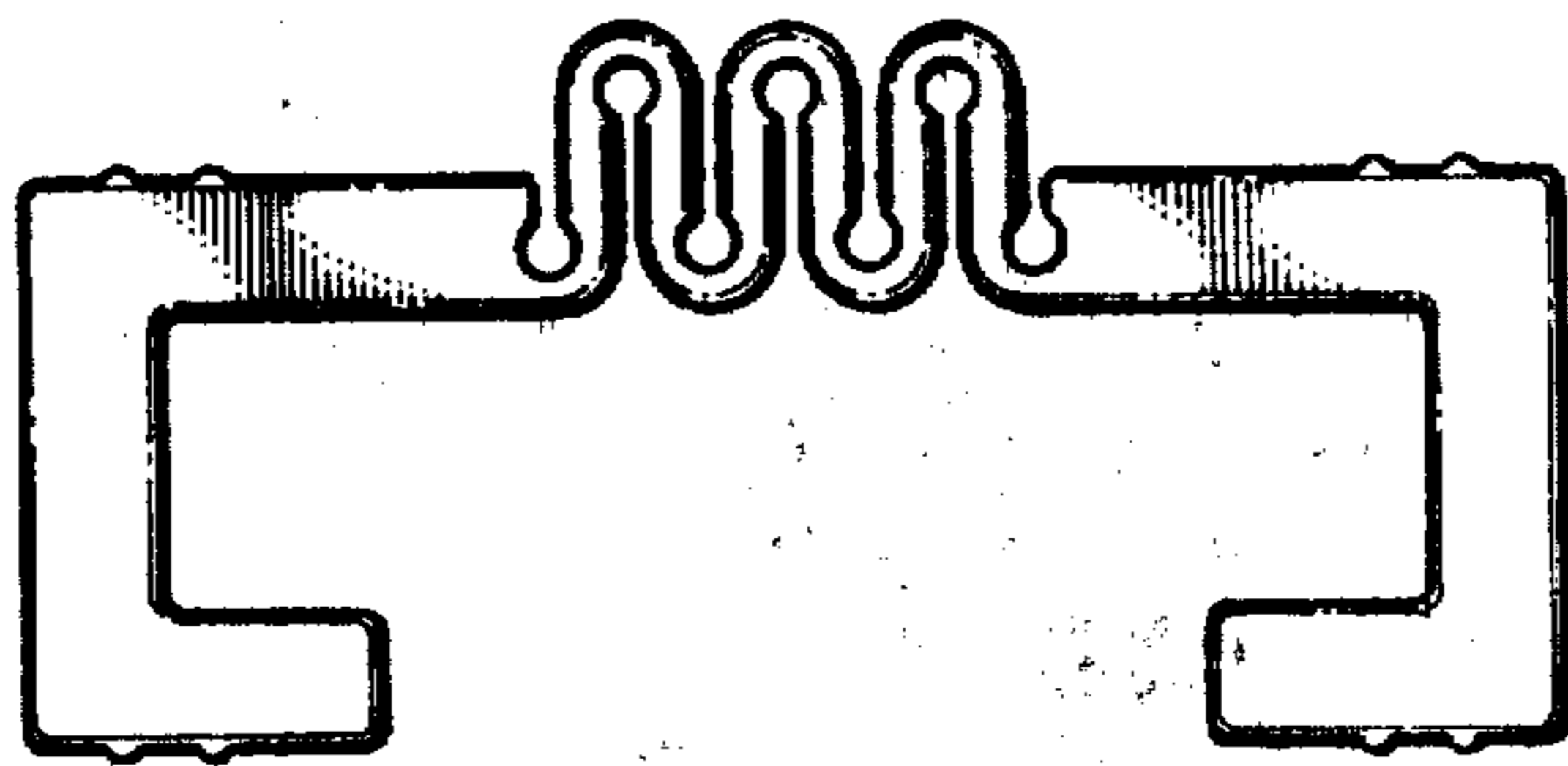


Fig. 2.



Fig. 3.



Fig. 4.



Fig. 5.