

[54] **C-CLAMP**
[76] **Inventor: William D. Little, P.O. Box 20211,
Dallas, Tex. 75220**
[**] **Term: 14 Years**
[21] **Appl. No.: 286,384**
[22] **Filed: Jul. 24, 1981**
[51] **Int. Cl. D8-05**
[52] **U.S. Cl. D8/73**
[58] **Field of Search D8/71-73;
269/249**

3,052,462 9/1962 Butler 269/249
3,997,152 12/1976 Sass et al. 269/249
4,074,899 2/1978 Hochstetler 269/249

Primary Examiner—Catherine E. Kemper
Attorney, Agent, or Firm—Dennis T. Griggs

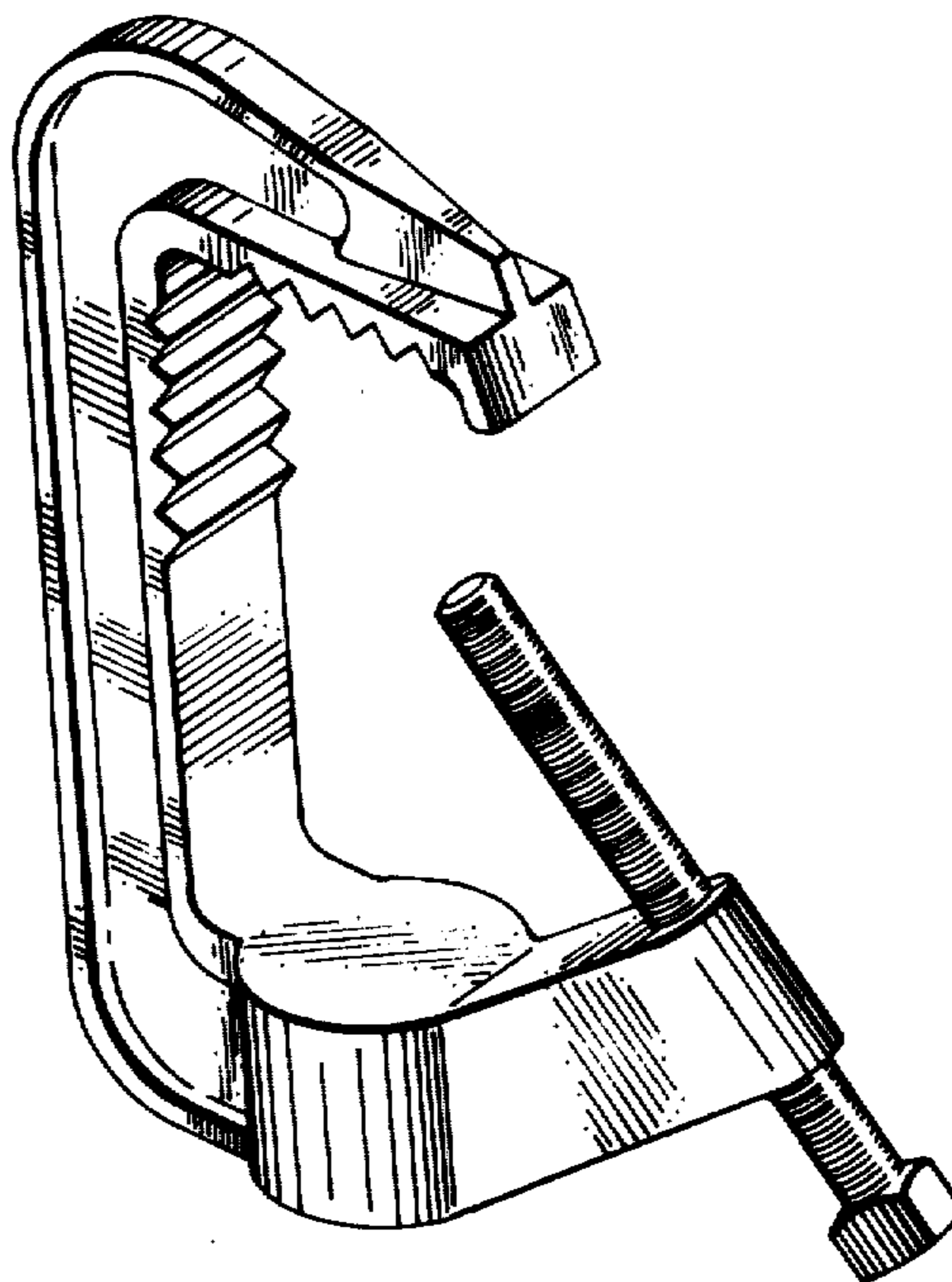
[57] **CLAIM**

The ornamental design for a C-clamp, as shown and described.

DESCRIPTION

FIG. 1 is a perspective view of a C-clamp showing my new design;
FIG. 2 is a left side elevation view;
FIG. 3 is a front elevation view;
FIG. 4 is a rear elevation view;
FIG. 5 is a top plan view; and,
FIG. 6 is a bottom plan view thereof.

[56] **References Cited**
U.S. PATENT DOCUMENTS
2,756,789 7/1956 Kraus et al. 269/249 X



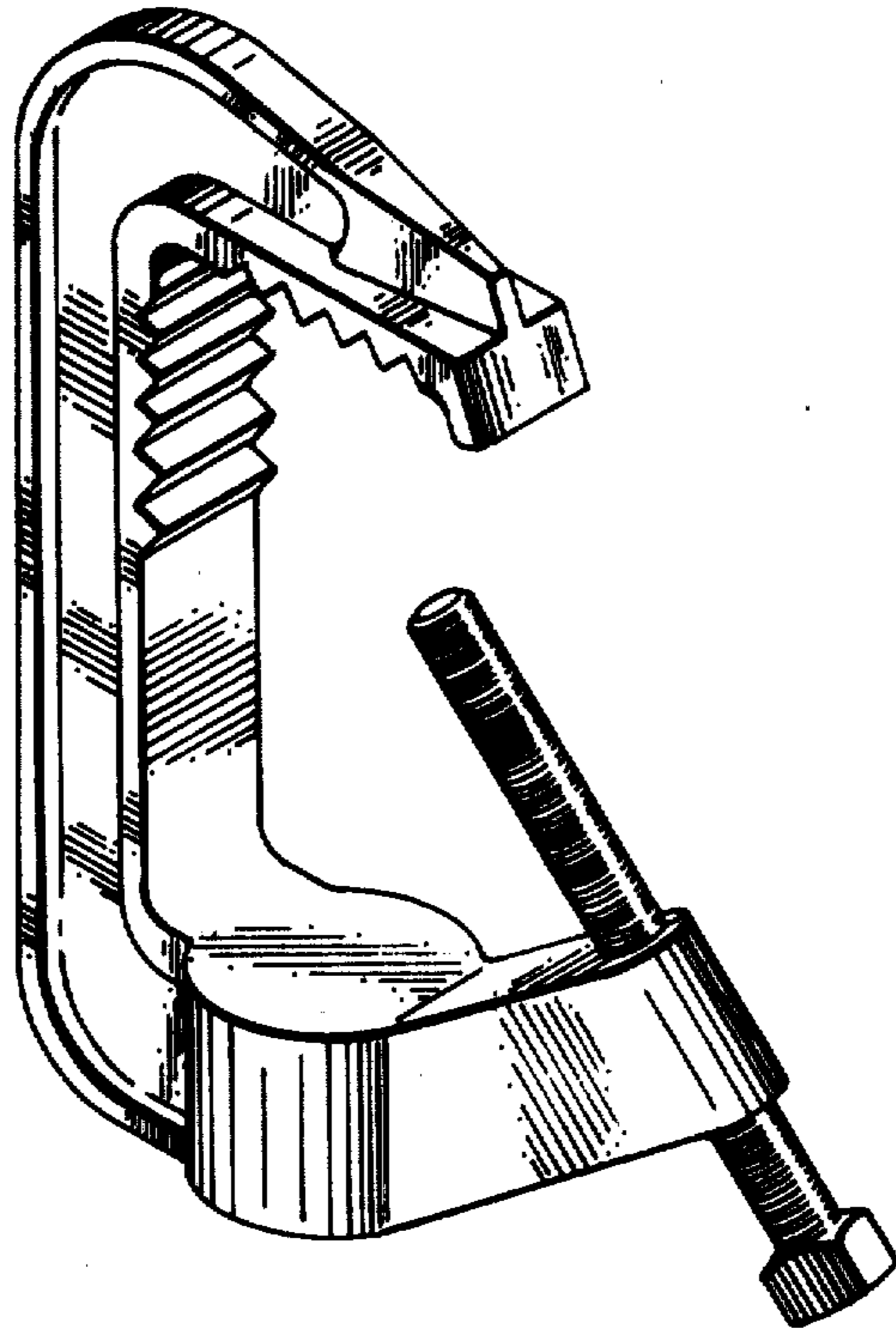


FIG. 1

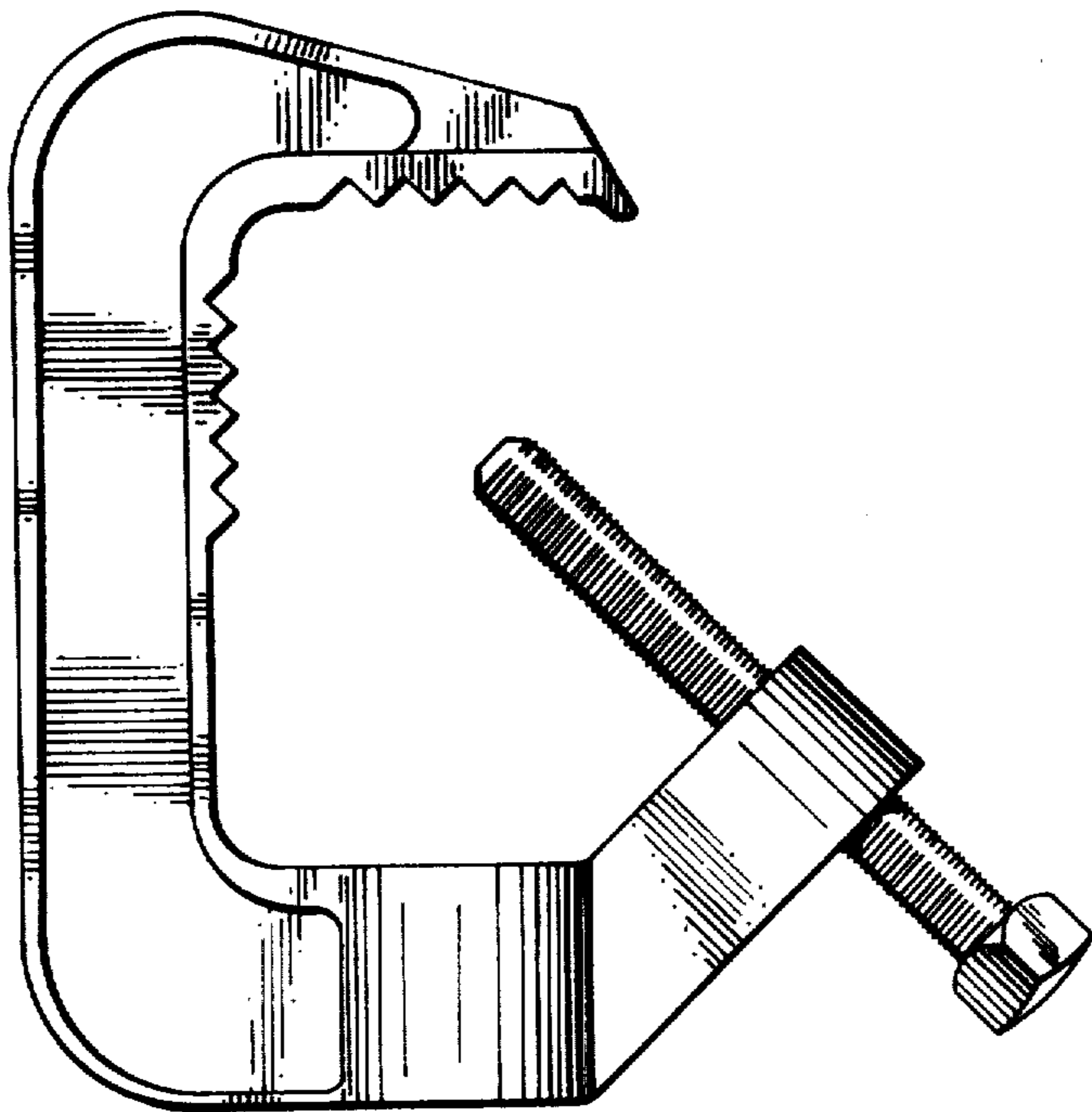


FIG. 2

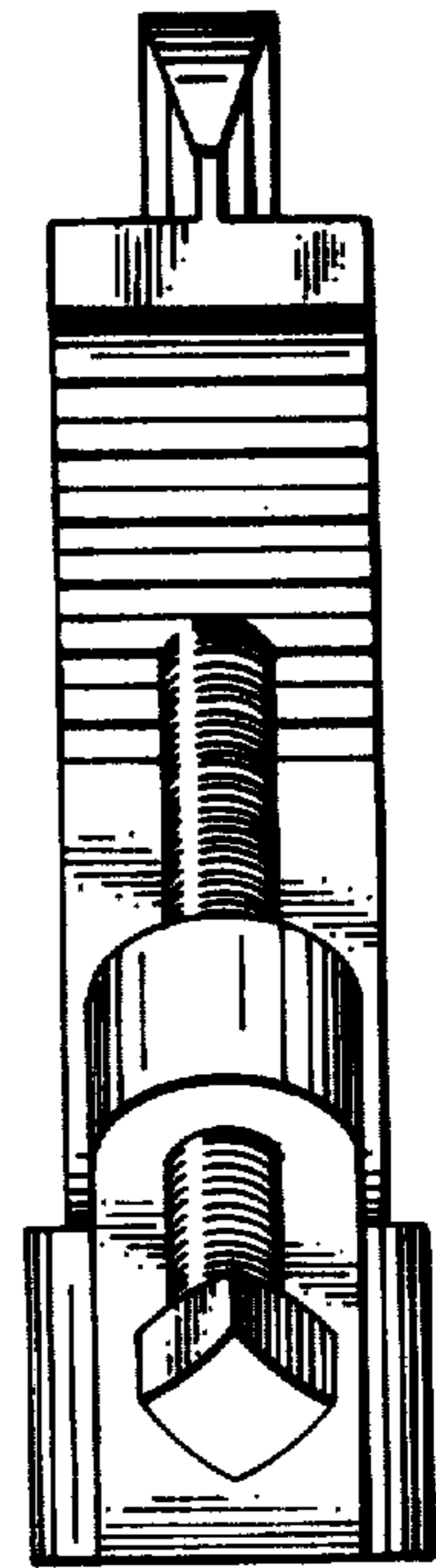


FIG. 3

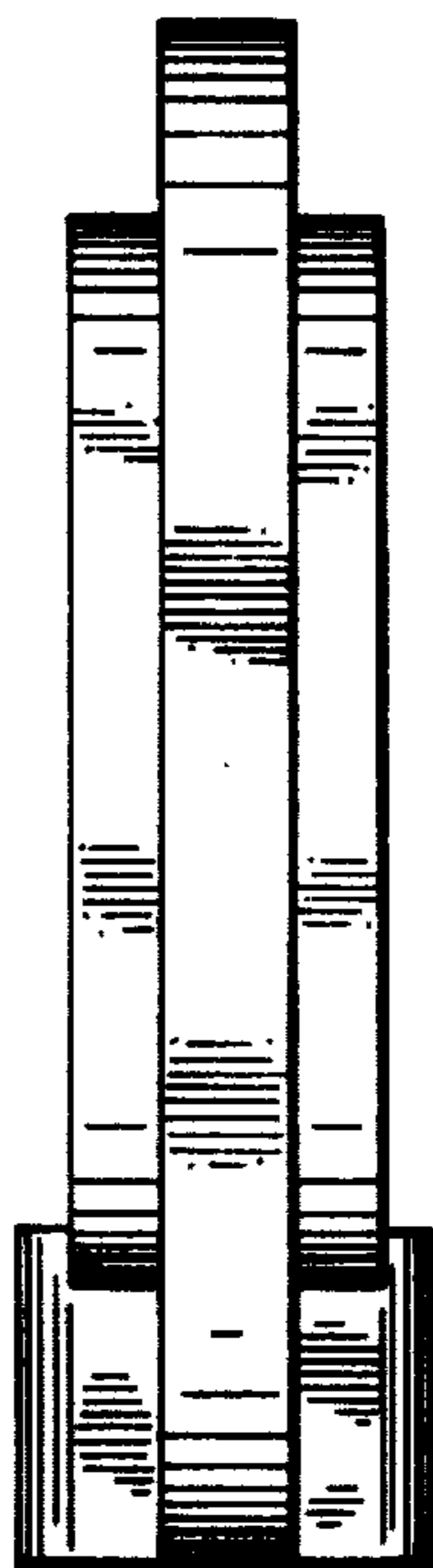


FIG. 4

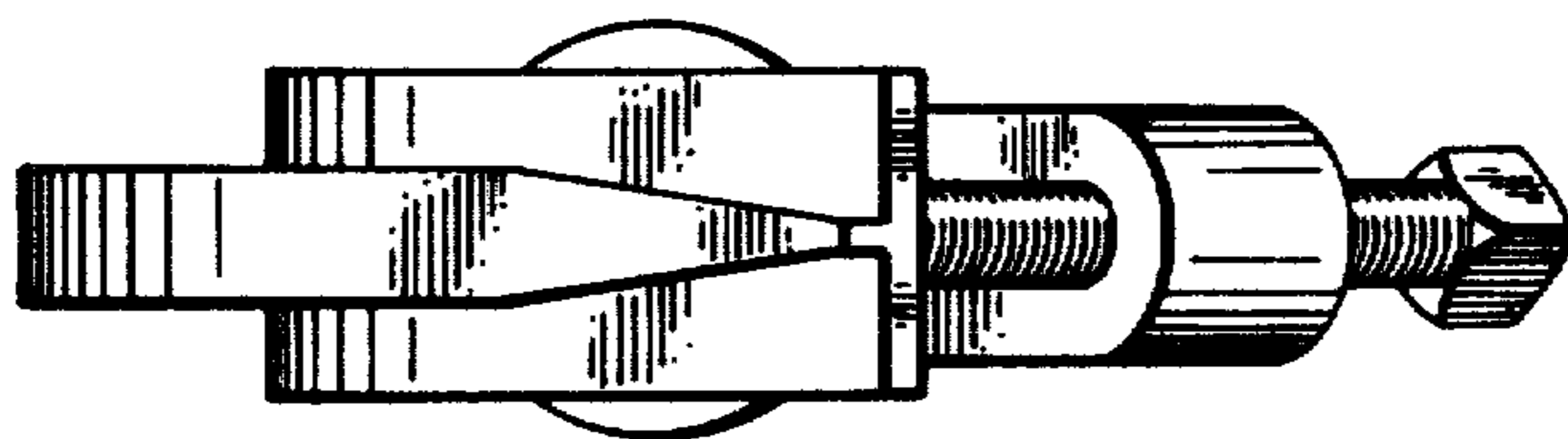


FIG. 5

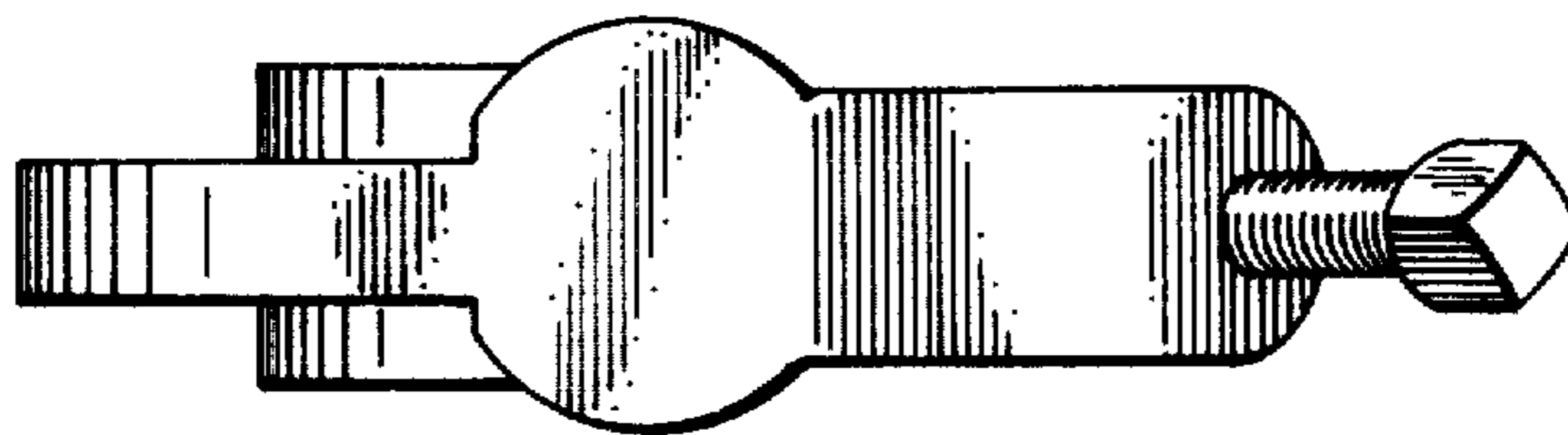


FIG. 6