

[54] **OUTDOOR COOKING APPLIANCE FOR USE WITH A GAS CONTAINER**

[76] Inventor: **Curtis G. Conner**, 618 First St., #102, Humble, Tex. 77338

[**] Term: **14 Years**

[21] Appl. No.: **235,121**

[22] Filed: **Feb. 17, 1981**

[51] Int. Cl. **D7-04**

[52] U.S. Cl. **D7/332; D7/403; D7/407**

[58] Field of Search **D7/354, 366, 407, 408, D7/409, 90, 403, 332; D6/105; 126/9, 38, 39 R**

[56] **References Cited**

U.S. PATENT DOCUMENTS

D. 177,698	5/1956	Scanland	D6/105
D. 225,669	12/1972	Toiseux	D7/366
D. 245,828	9/1977	Monnet	D7/407

OTHER PUBLICATIONS

House Beautiful, Jan. 1978, p. 83 *Nupac's "Bacon Maker/Meat Rack"*.

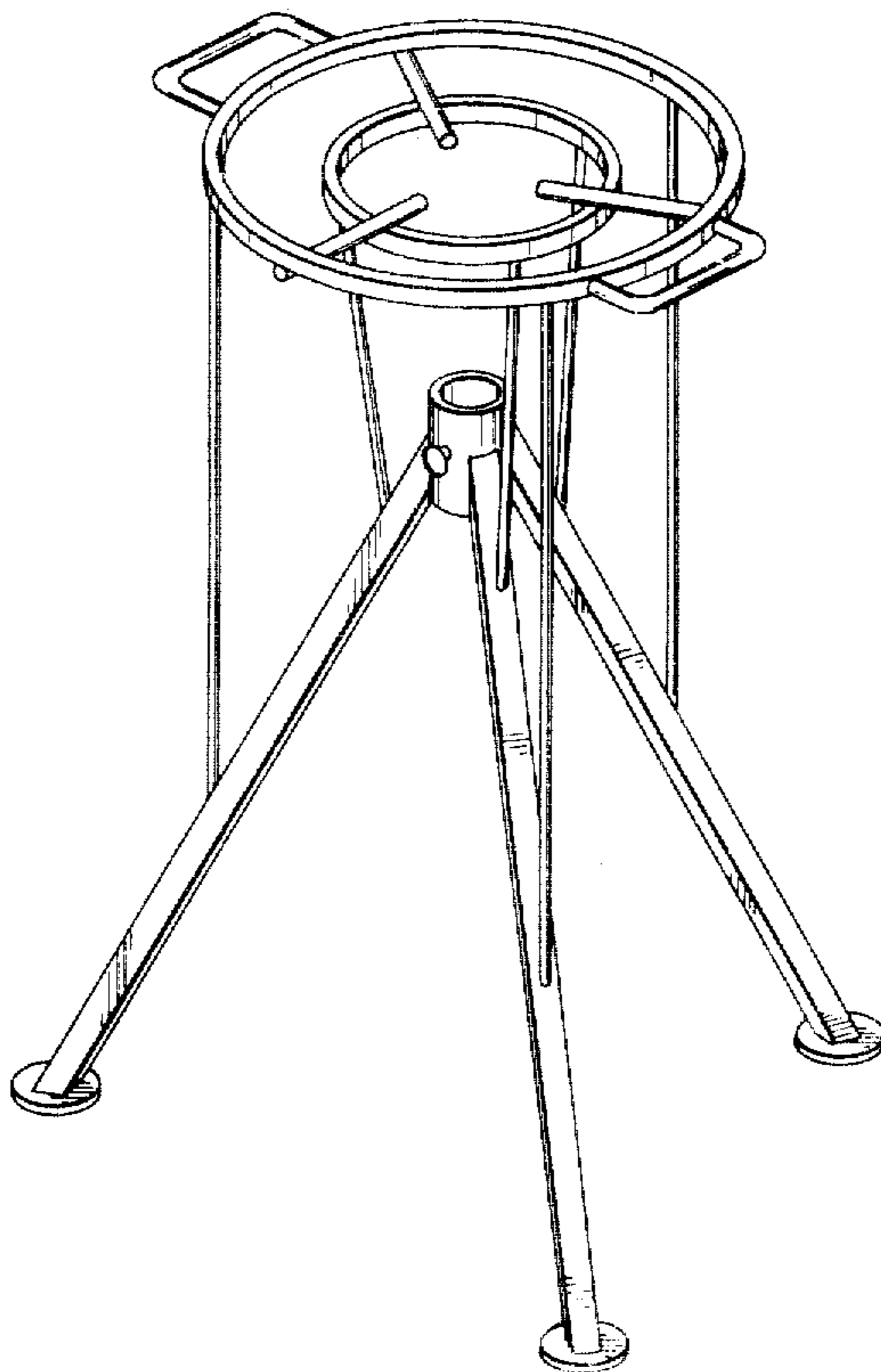
Primary Examiner—Wallace R. Burke
Assistant Examiner—Lynn Wilder
Attorney, Agent, or Firm—Carwell & Helmreich

[57] **CLAIM**

The ornamental design for an outdoor cooking gas appliance for use with a gas container, substantially as shown and described.

DESCRIPTION

FIG. 1 is a perspective view of an outdoor cooking gas appliance embodying my new design; FIG. 2 is a top plan view; FIG. 3 is a bottom plan view; FIG. 4 is a side elevational view thereof; and FIG. 5 is a side elevational view rotated 90° from the position shown in FIG. 4.



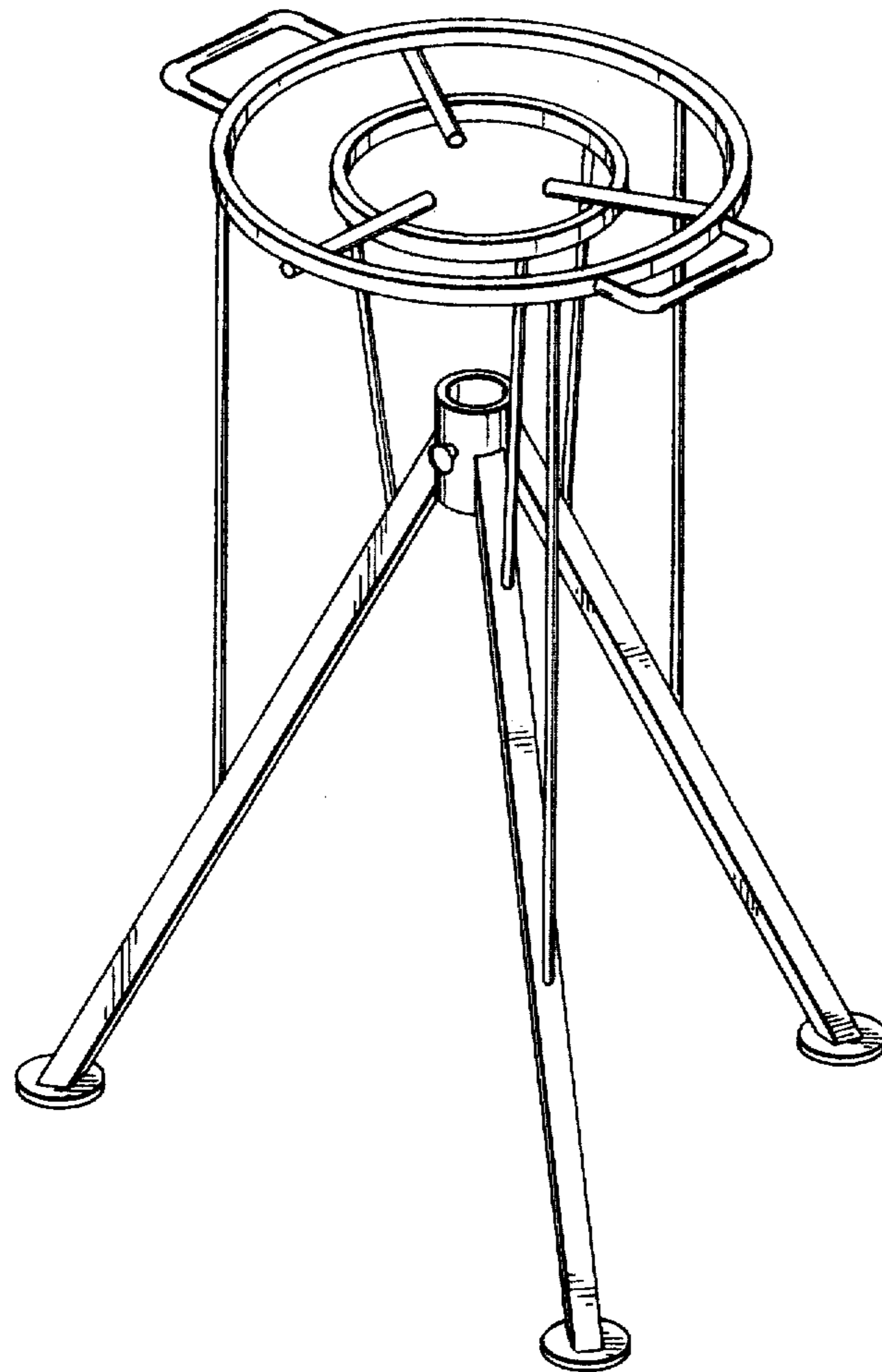


FIG. 1

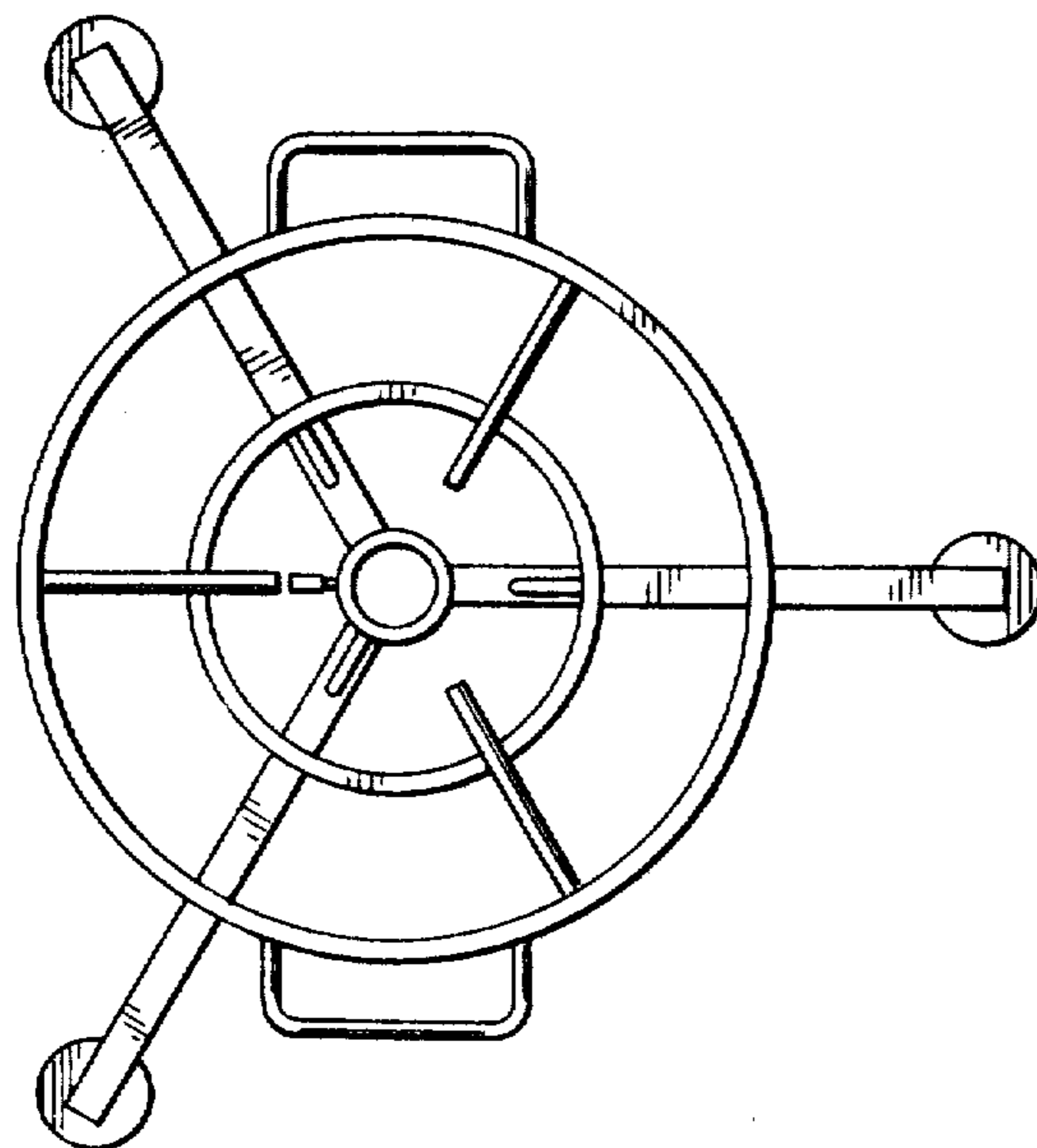


FIG. 2

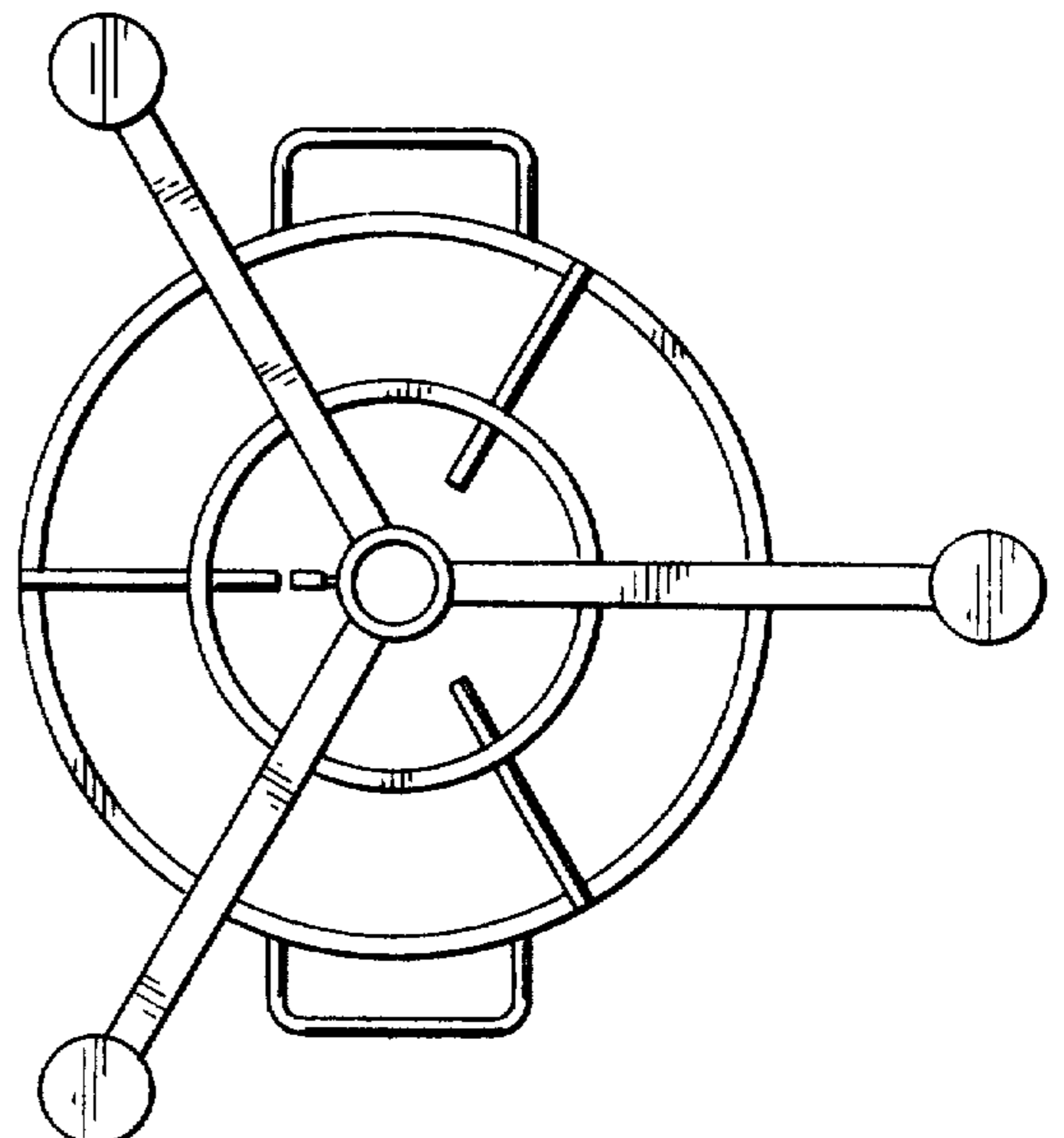


FIG. 3

FIG. 5

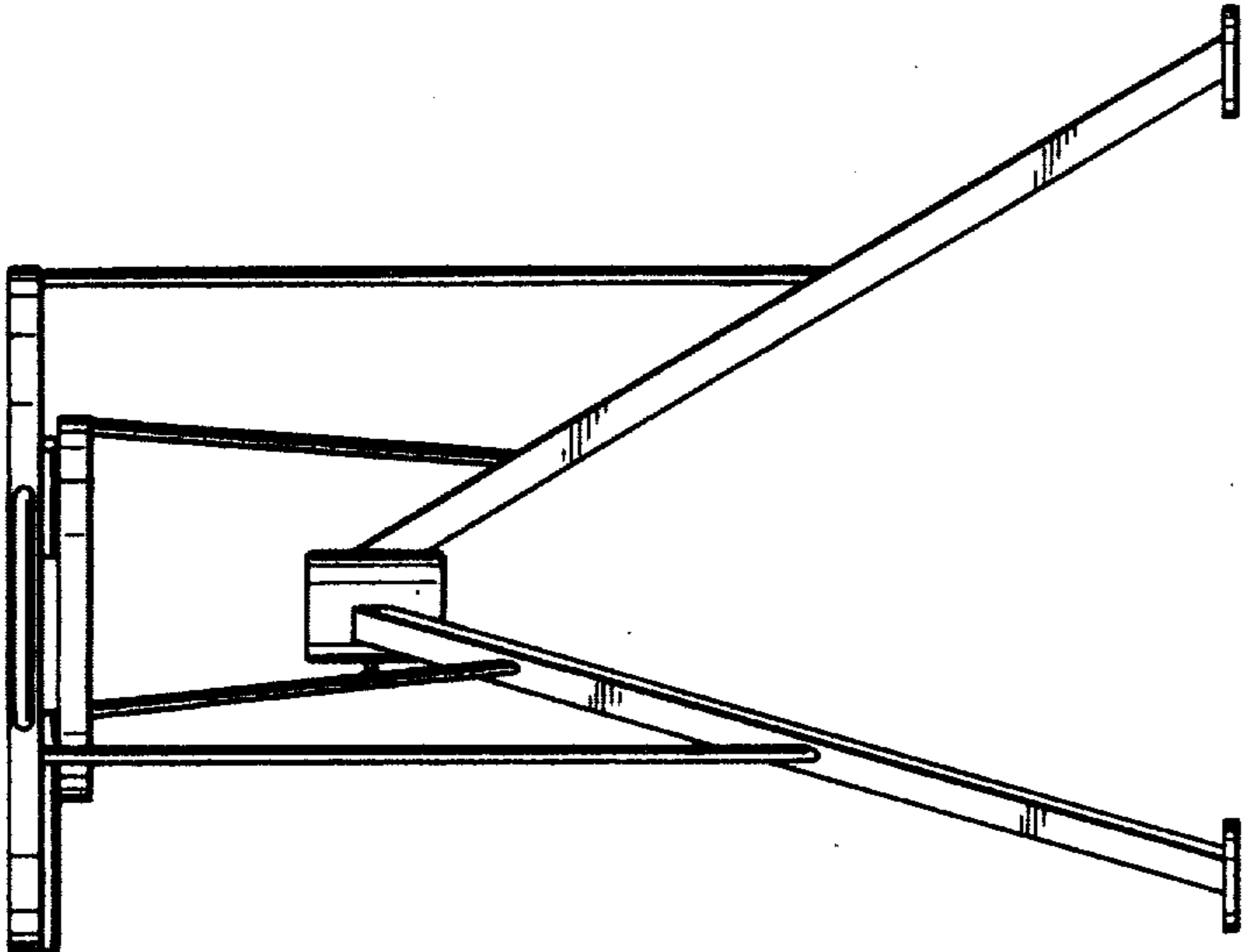


FIG. 4

