

[54] **FOLDABLE DISPLAY CASE**
[76] Inventor: **Mary E. Duffy**, 1210 Main St.,
Natchez, Miss. 39120
[**] Term: **14 Years**
[21] Appl. No.: **238,674**
[22] Filed: **Feb. 27, 1981**
[51] Int. Cl. **D3-02**
[52] U.S. Cl. **D3/74; D3/75;**
D19/26
[58] Field of Search **D3/30.1, 42, 71, 76,**
D3/77, 20, 26; D19/26-33; 150/1.5, 52 B

[56] **References Cited**
U.S. PATENT DOCUMENTS
D. 153,658 5/1949 Arbib **D3/72**
D. 186,101 9/1959 Chase **D19/26**
D. 206,985 2/1967 England **D3/76**
D. 259,221 5/1981 Gebbia **D19/26**

3,154,125 10/1964 Harvey 150/52 B
Primary Examiner—George P. Word
Attorney, Agent, or Firm—Lalos, Leeds, Keegan, Lett &
Marsh

[57] **CLAIM**
The ornamental design for a foldable display case, as
shown and described.

DESCRIPTION
FIG. 1 is a left side perspective view of a foldable display case showing my new design;
FIG. 2 is a right side perspective view thereof;
FIG. 3 is a top plan view thereof;
FIG. 4 is an end elevational view thereof;
FIG. 5 is a bottom plan view thereof;
FIG. 6 is an end elevational view thereof in a partially open and expanded condition;
FIG. 7 is a plan view thereof in a first open position;
FIG. 8 is a plan view of the open leaves in a second open position; and
FIG. 9 is a plan view thereof in a third open position.

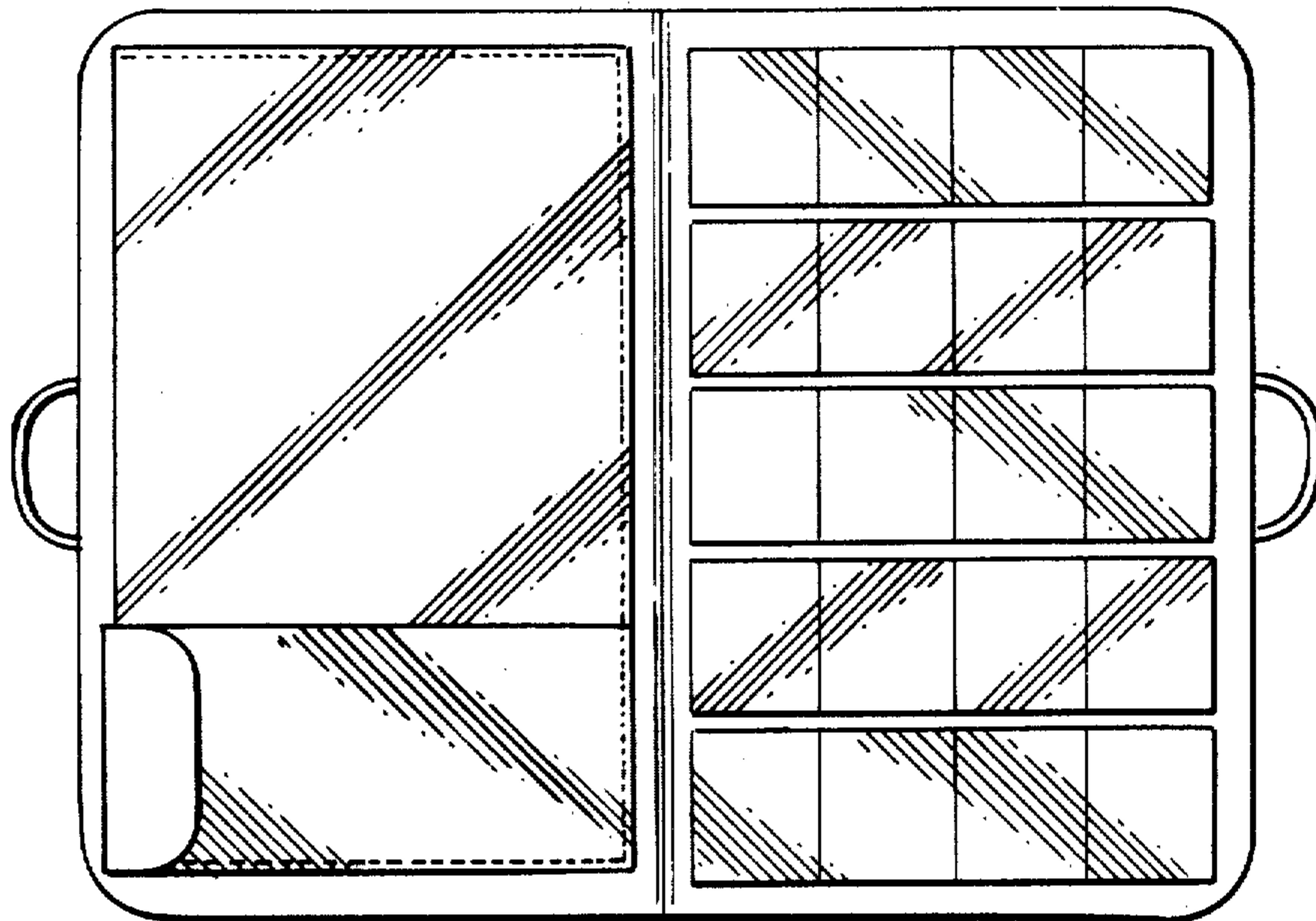


FIG. 1.

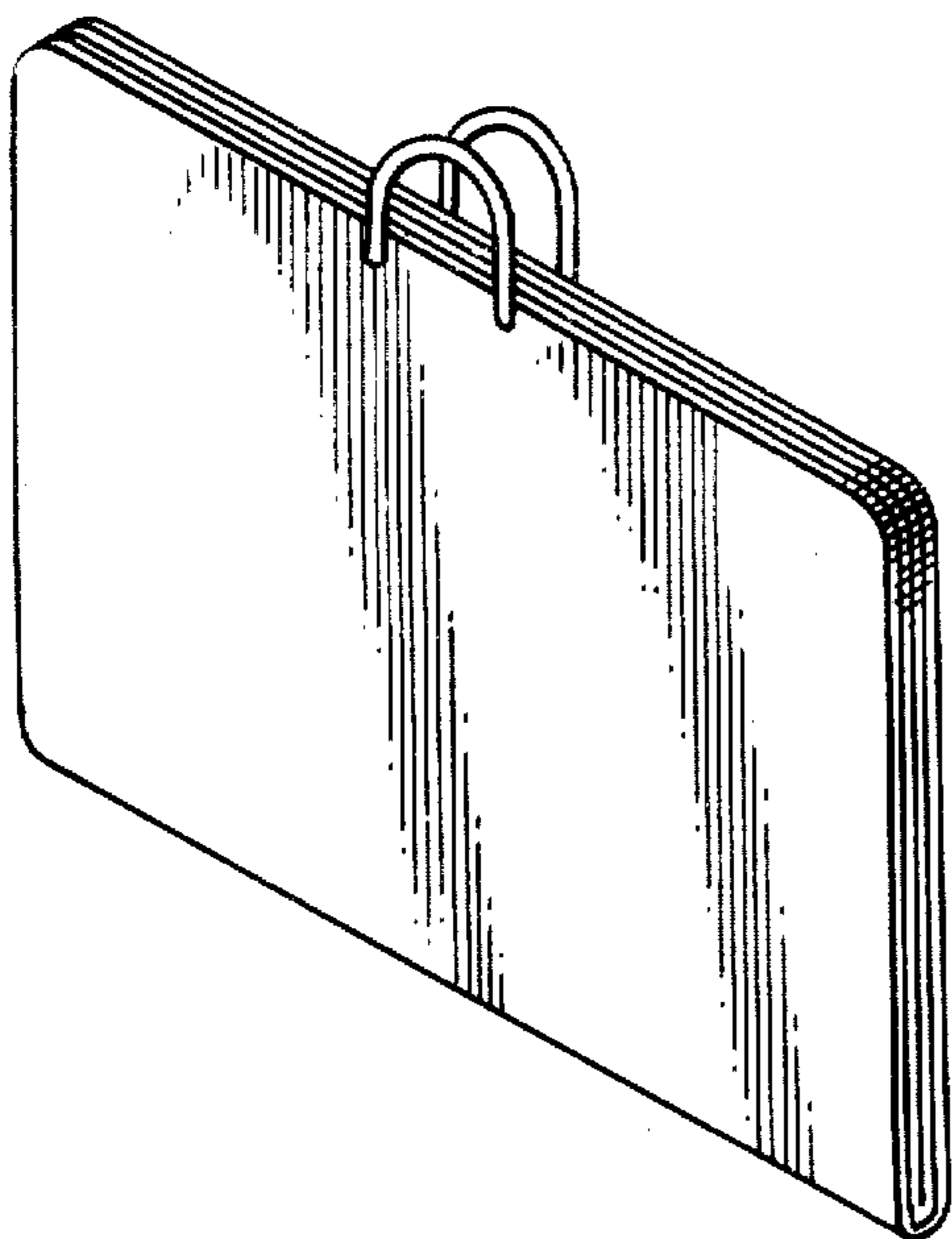


FIG. 2.

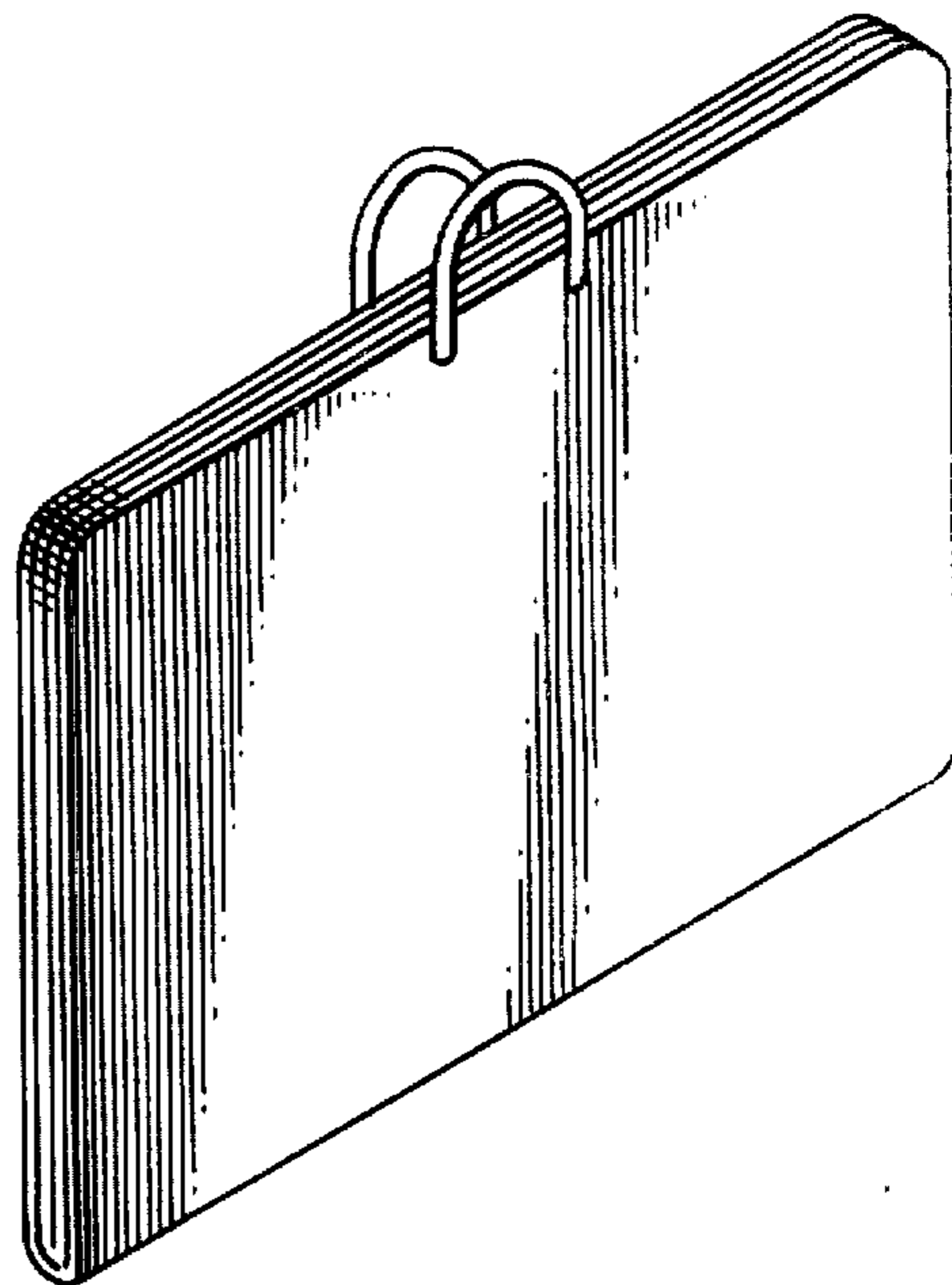


FIG. 4.



FIG. 3.

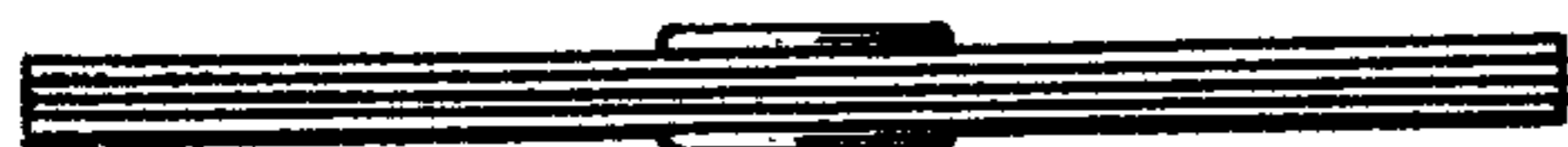


FIG. 5.

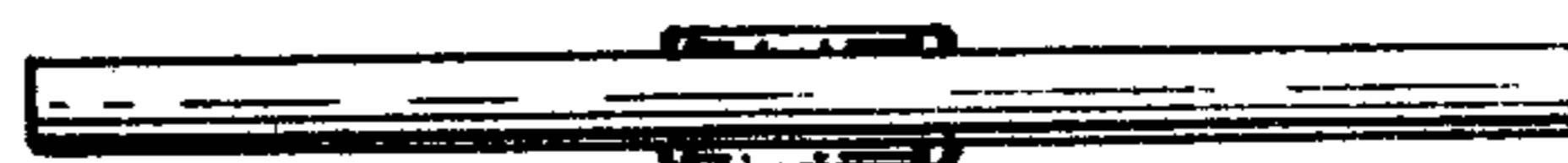


FIG. 6.

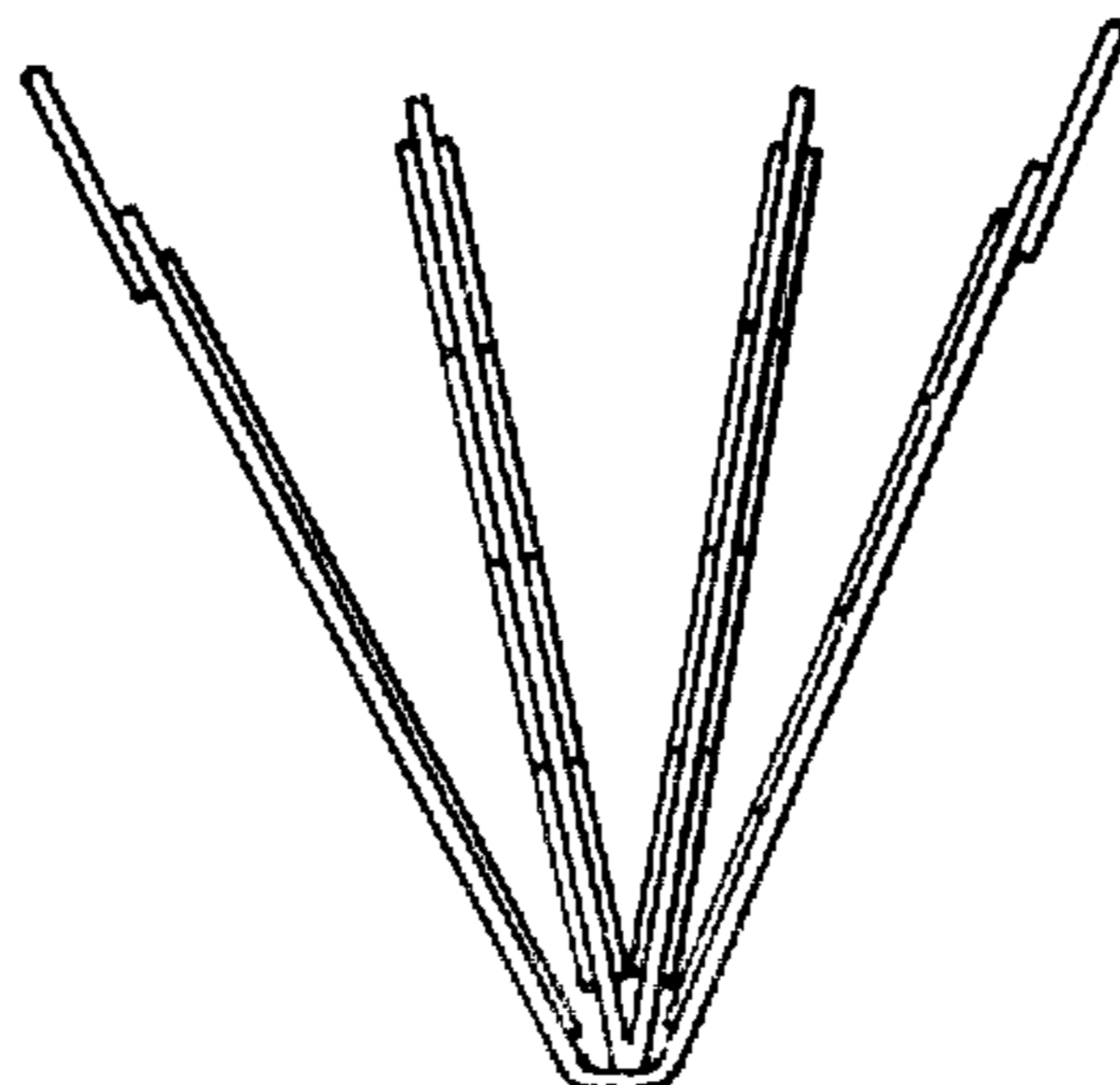


FIG. 7.

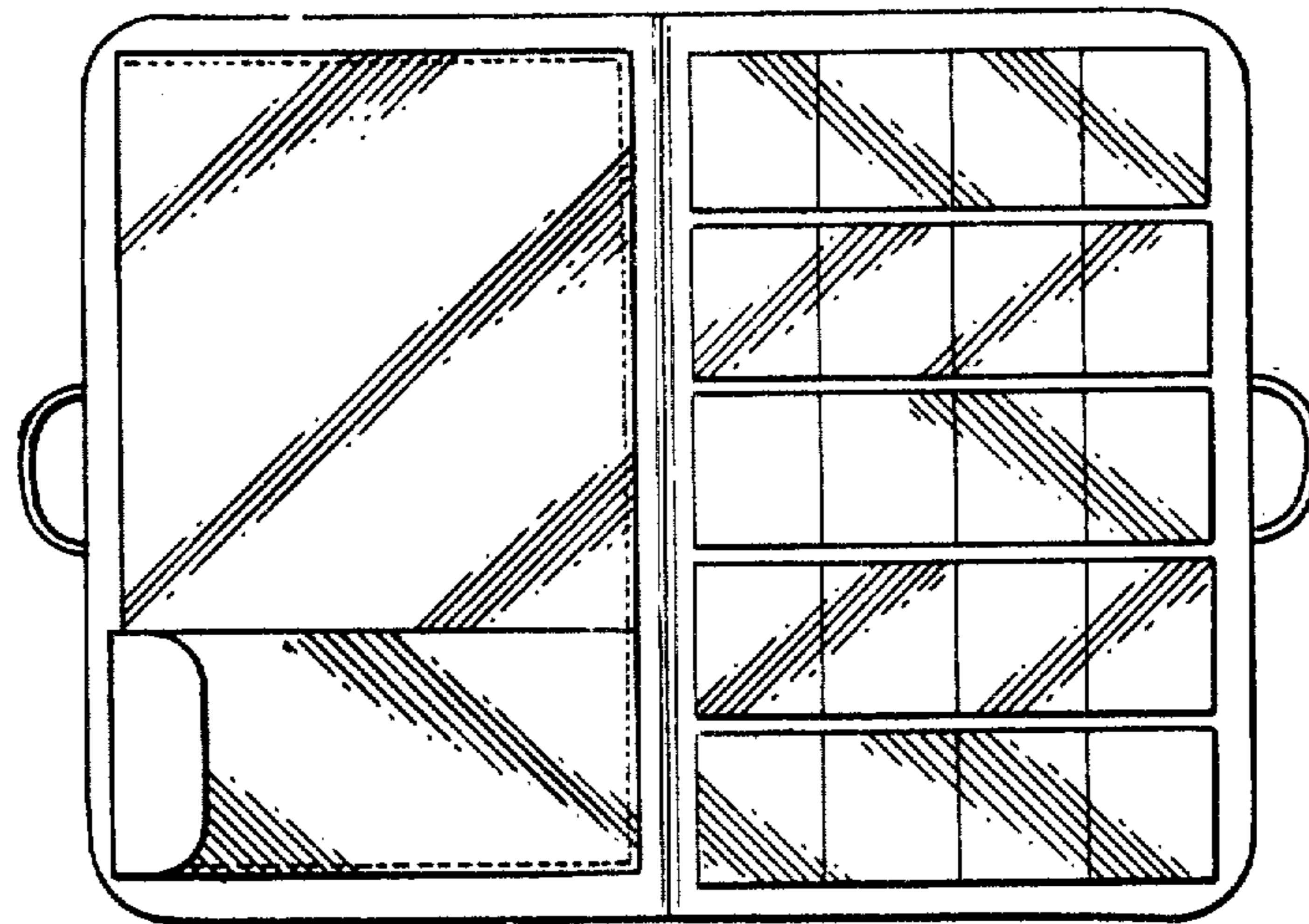


FIG. 8.

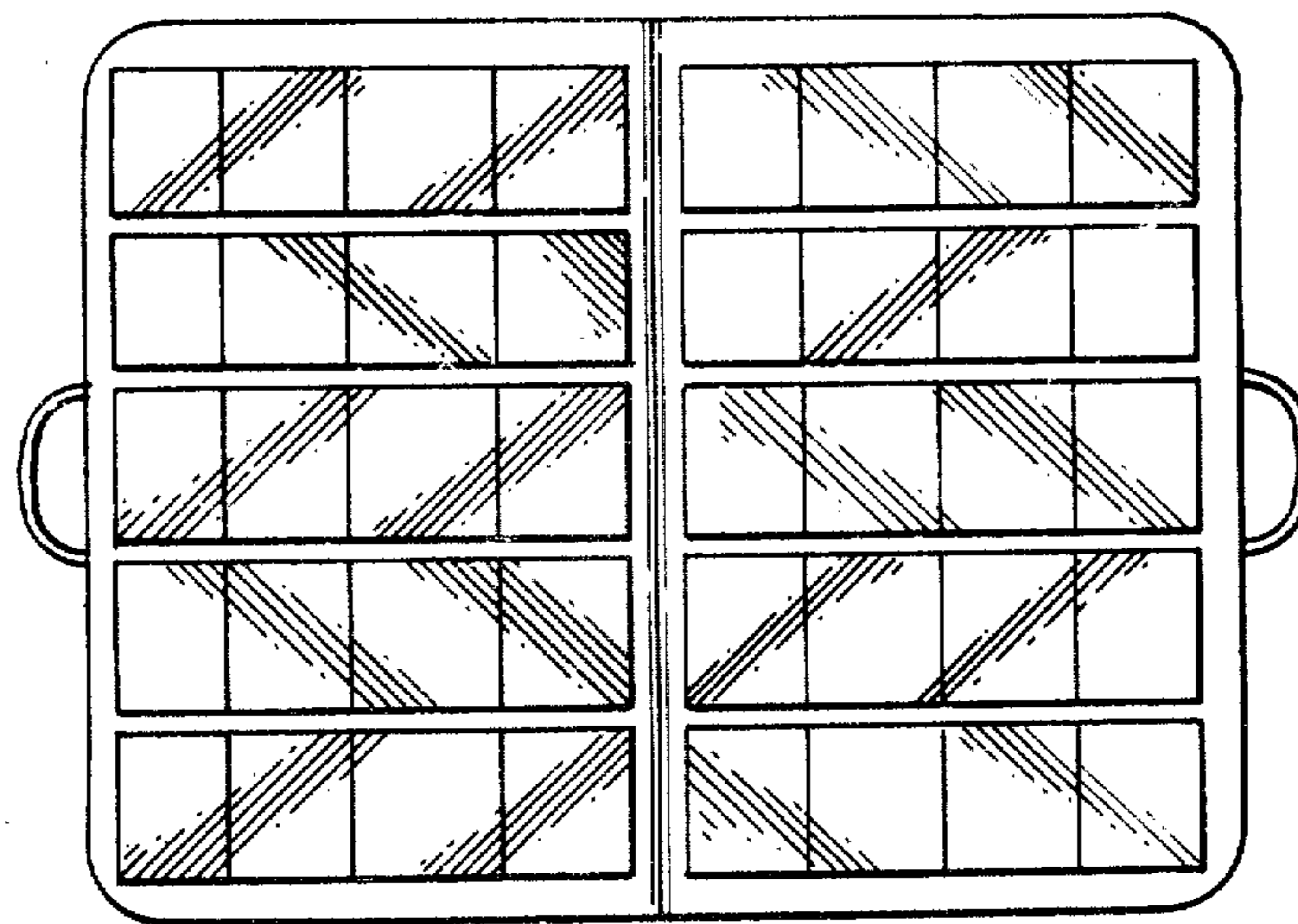


FIG. 9.

