

[54] COMBINED SOAP BAR AND HOLDER

[76] Inventor: Henry Blaszkowski, P.O. Box 114,
Southfield, Mich. 48034

[**] Term: 14 Years

[21] Appl. No.: 316,785

[22] Filed: Nov. 2, 1981

Related U.S. Application Data

[63] Continuation-in-part of Ser. No. 60,279, Jul. 25, 1979,
Pat. No. Des. 263,885.

[30] **Foreign Application Priority Data**

Jan. 25, 1980 [CA] Canada 25-01-80-3
Apr. 22, 1981 [CA] Canada 25-01-80-16
Apr. 22, 1981 [CA] Canada 25-01-80-17

[51] Int. Cl. D28-03
[52] U.S. Cl. D28/8.1
[58] Field of Search D28/8.1, 8.2;
252/DIG. 16, 90, 92, 134, 174; 248/359

[56] **References Cited**

U.S. PATENT DOCUMENTS

D. 74,214 1/1928 Cohn D28/8.1
2,934,852 5/1960 Heberling D28/8.1X
3,315,933 4/1967 Tatham 252/92 X

FOREIGN PATENT DOCUMENTS

12359 of 1912 United Kingdom D28/8.1
10761 of 1900 United Kingdom D28/8.1

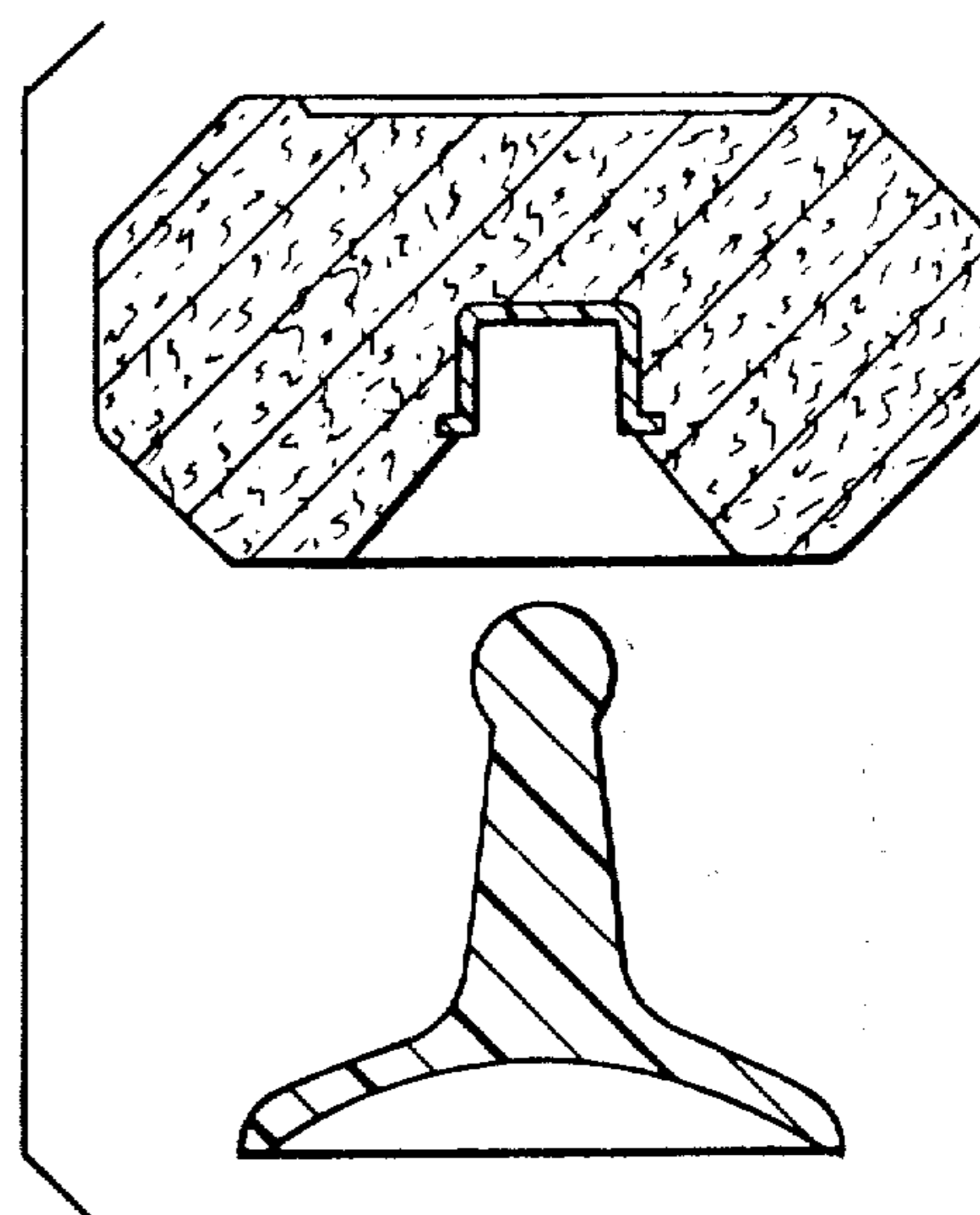
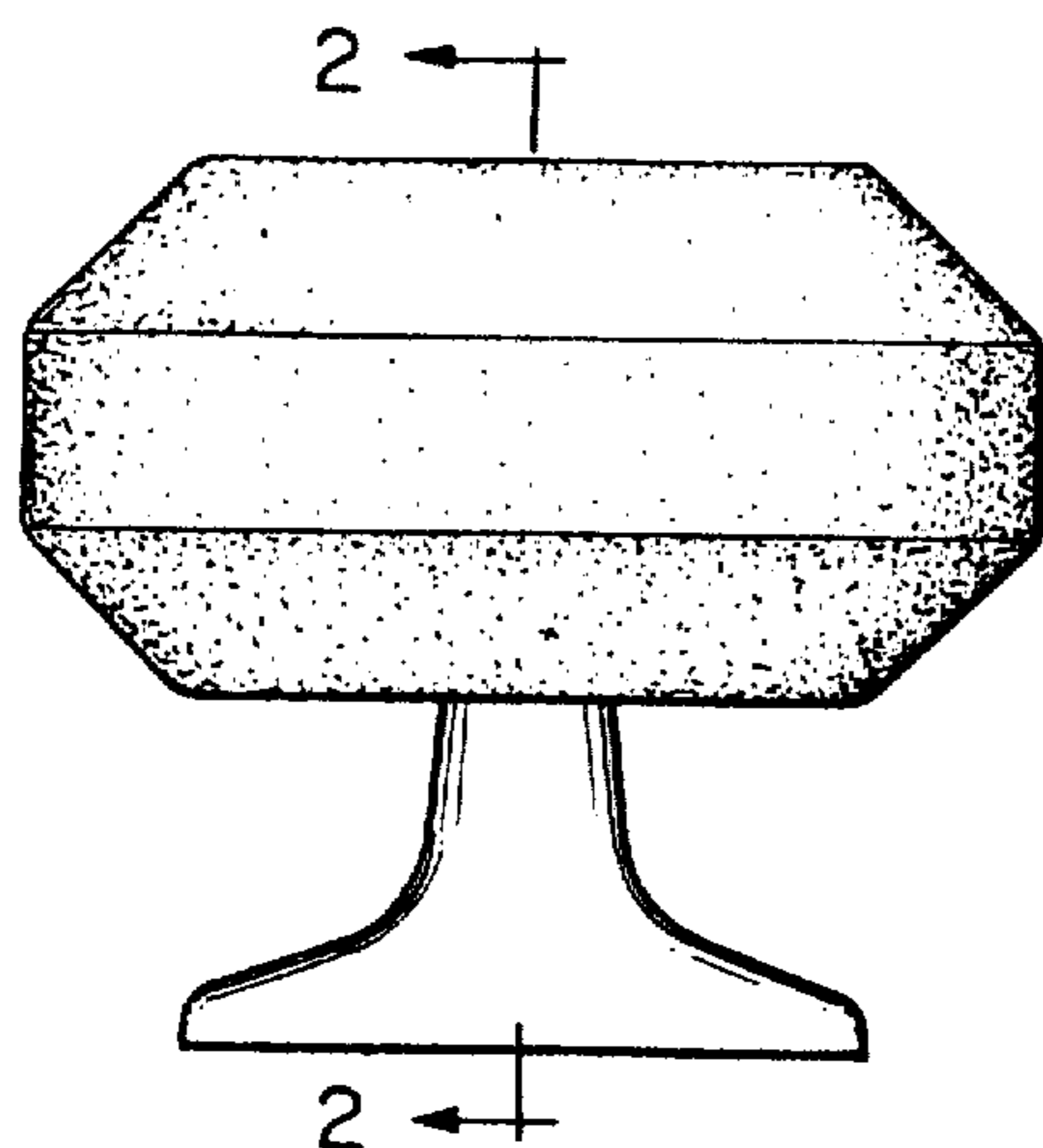
Primary Examiner—Louis S. Zarfaz
Attorney, Agent, or Firm—Barnes, Kisselle, Raisch,
Choate, Whittemore & Hulbert

[57] **CLAIM**

The ornamental design for a combined soap bar and holder, substantially as shown and described.

DESCRIPTION

FIG. 1 is an elevational view of a combined soap bar and holder embodying my new design;
FIG. 2 is an exploded vertical sectional view of the soap bar and holder shown in FIG. 1;
FIG. 3 is a top plan view of the soap bar shown in FIG. 1;
FIG. 4 is a bottom plan view of the soap bar shown in FIG. 1.



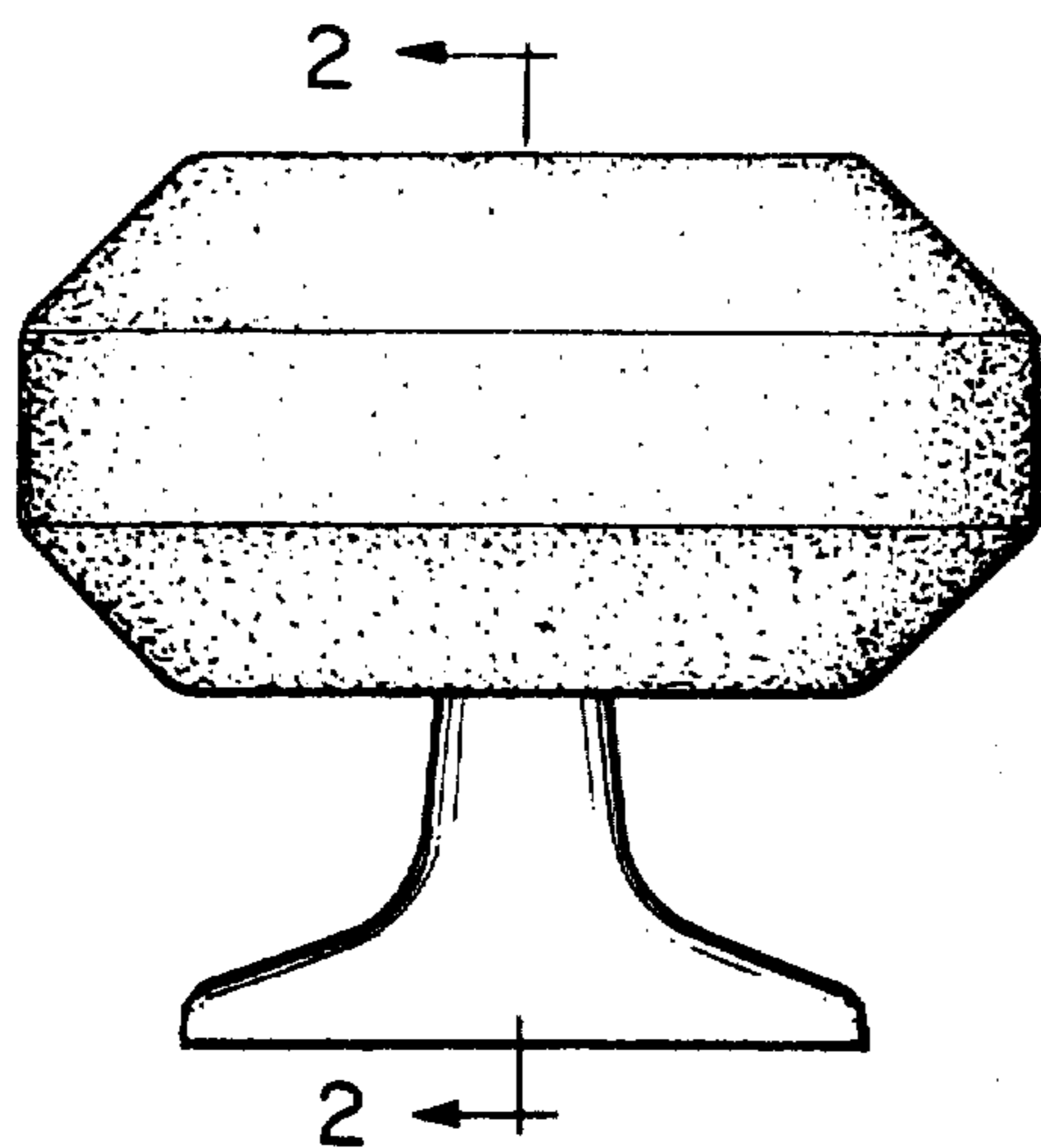


FIG. 1

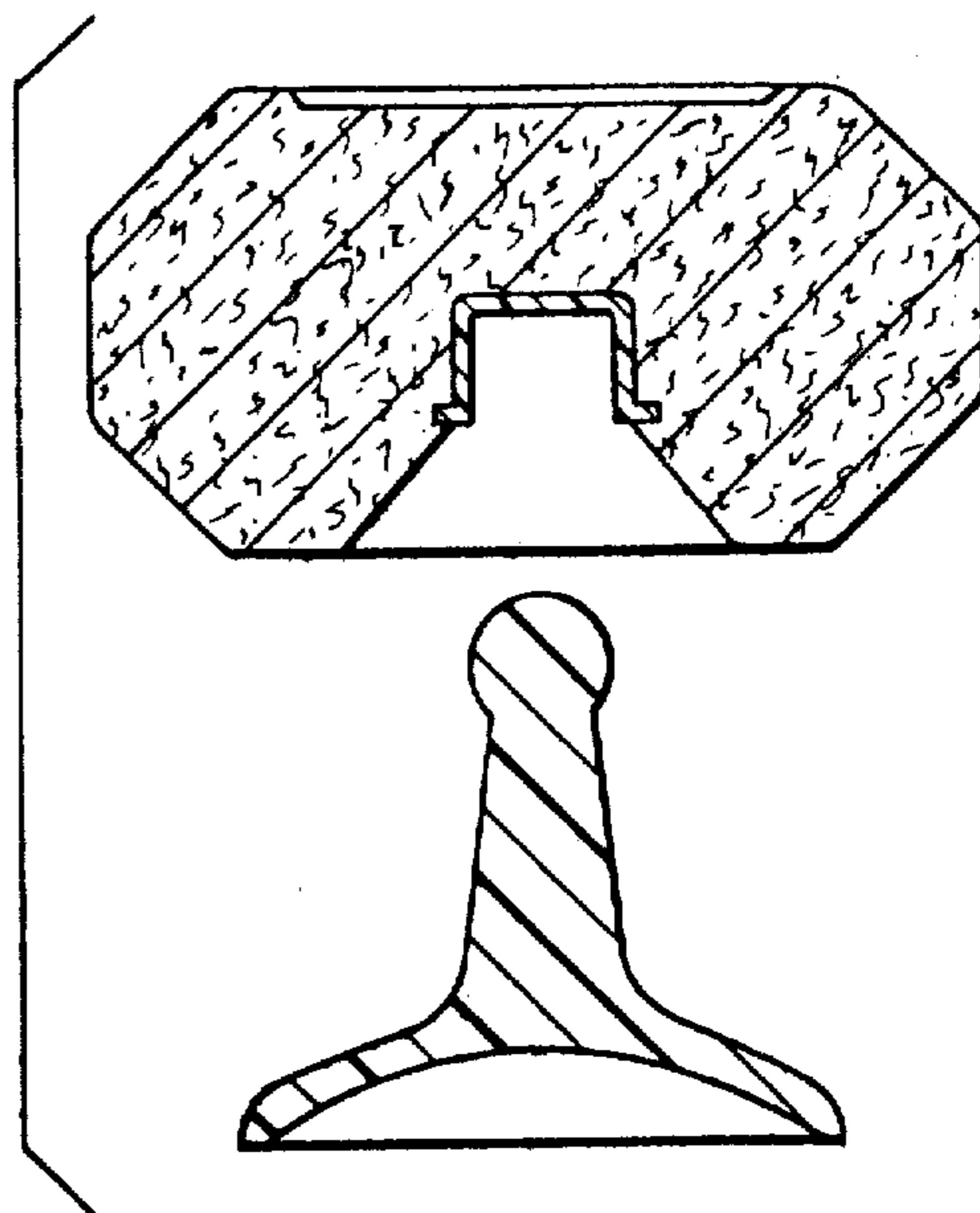


FIG. 2

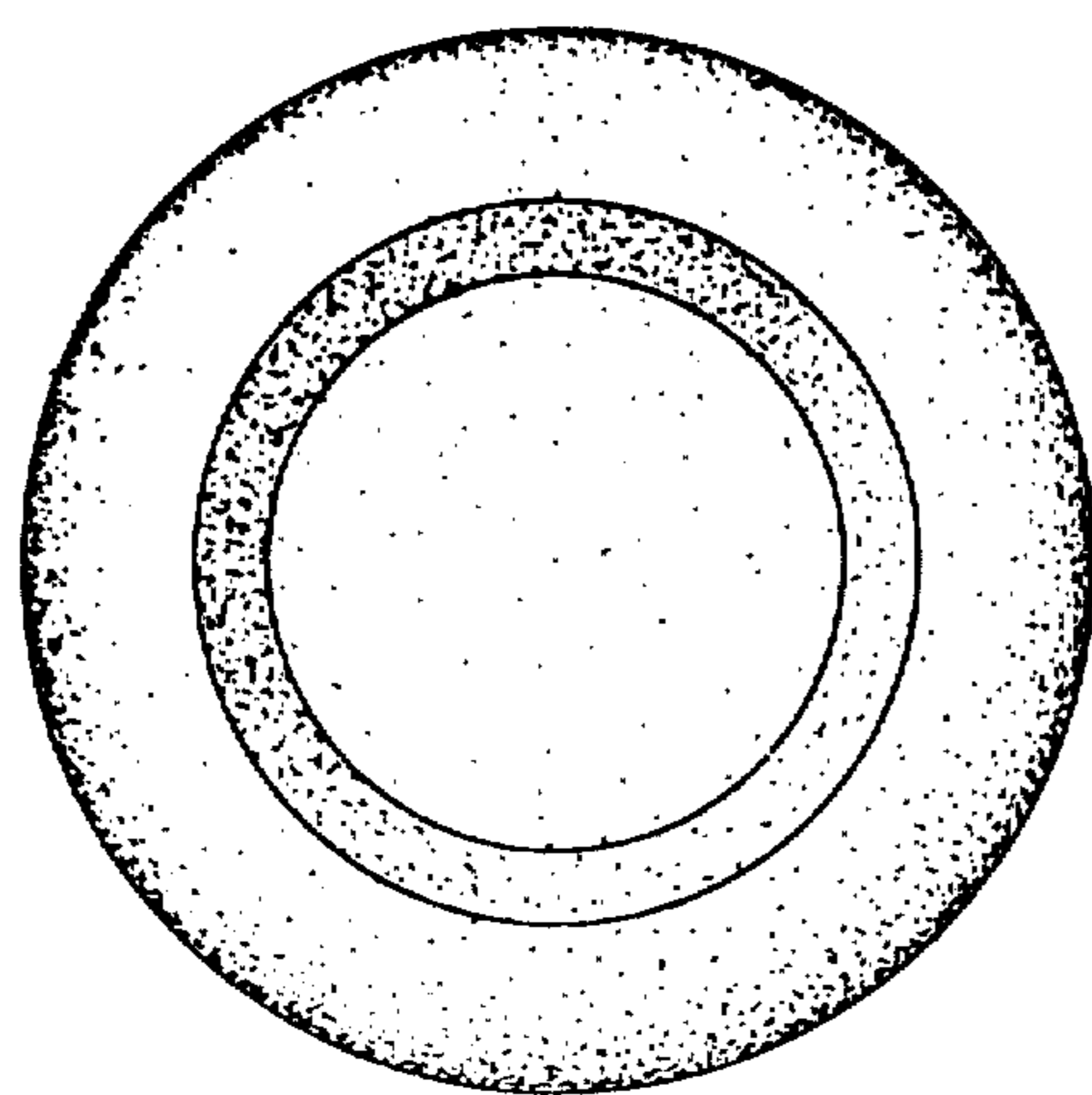


FIG. 3

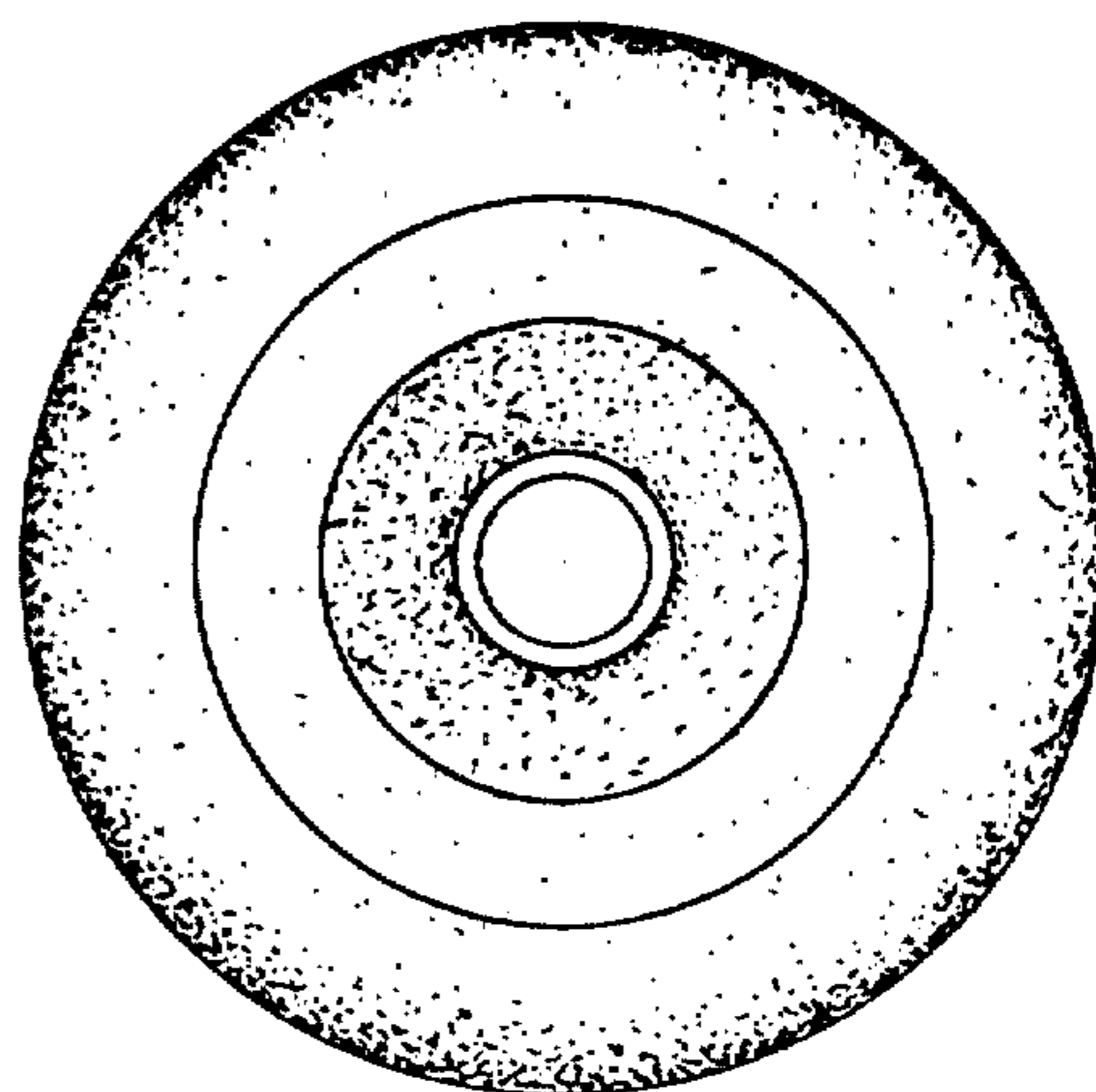


FIG. 4