

[54] FLUORESCENT LANTERN

[75] Inventor: Henry R. Mallory, Greenwich, Conn.

[73] Assignee: Duracell Inc., Bethel, Conn.

[**] Term: 14 Years

[21] Appl. No.: 217,592

[22] Filed: Dec. 18, 1980

[51] Int. Cl. D26-02

[52] U.S. Cl. D26/42

[58] Field of Search 362/157, 158, 183, 184, 362/197, 198, 187; D26/37, 40, 41, 42, 44, 46, 48, 49, 50

[56] References Cited

U.S. PATENT DOCUMENTS

D. 251,631 4/1979 Zelina D26/49

2,444,107 6/1948 Montgomery 362/158

Primary Examiner—Susan J. Lucas
Attorney, Agent, or Firm—Ronald S. Cornell; Israel Nissenbaum

[57] CLAIM

The ornamental design for a fluorescent lantern, substantially as shown and described.

DESCRIPTION

FIG. 1 is a perspective view of a fluorescent lantern showing my new design;

FIG. 2 is a right side elevational view thereof;

FIG. 3 is a top view thereof;

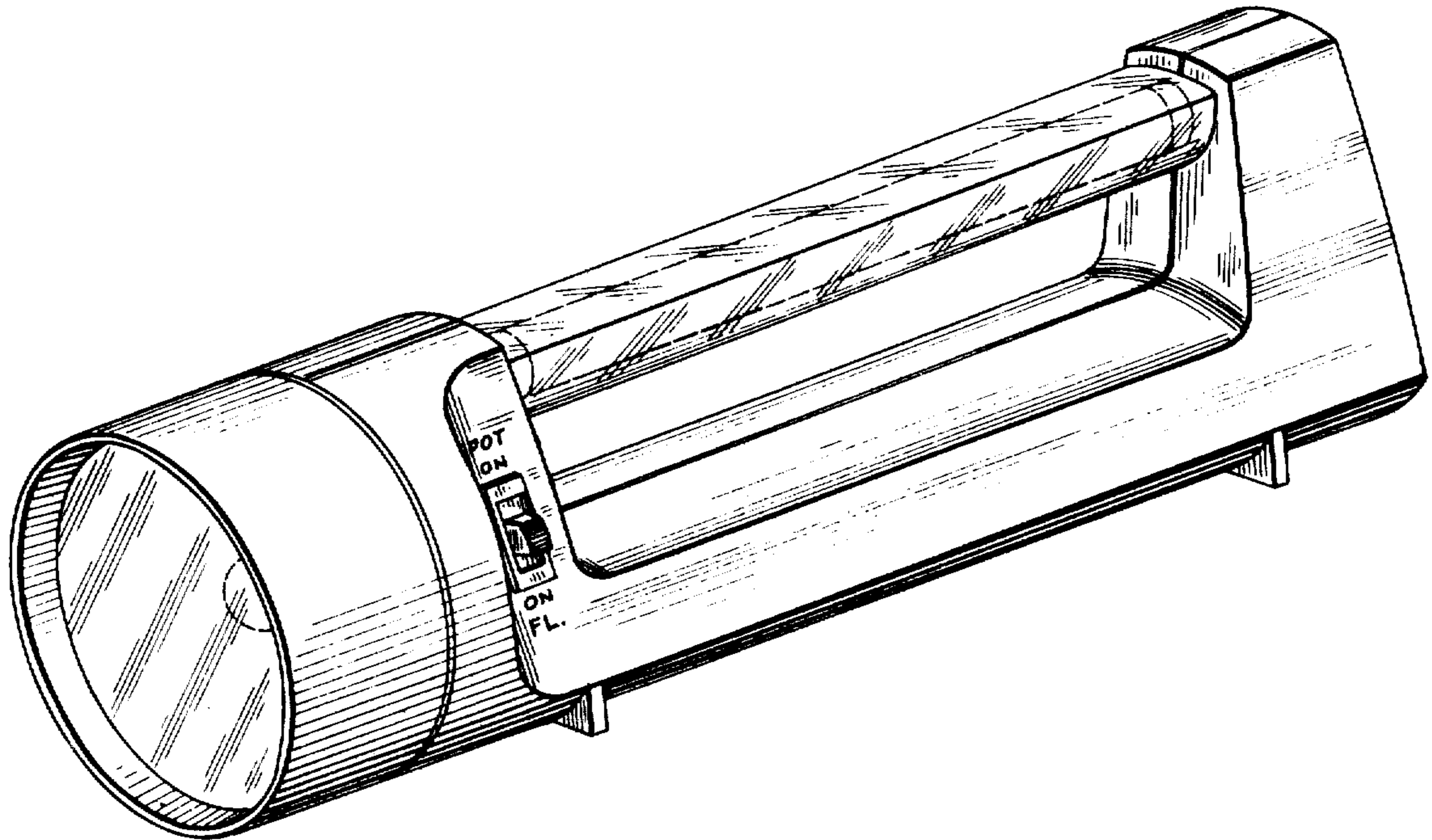
FIG. 4 is a left side elevational view thereof;

FIG. 5 is a bottom view thereof;

FIG. 6 is a front elevational view thereof; and

FIG. 7 is a rear elevational view thereof.

The fluorescent lamp and the incandescent lamp bulb are shown in broken lines for illustrative purposes only.



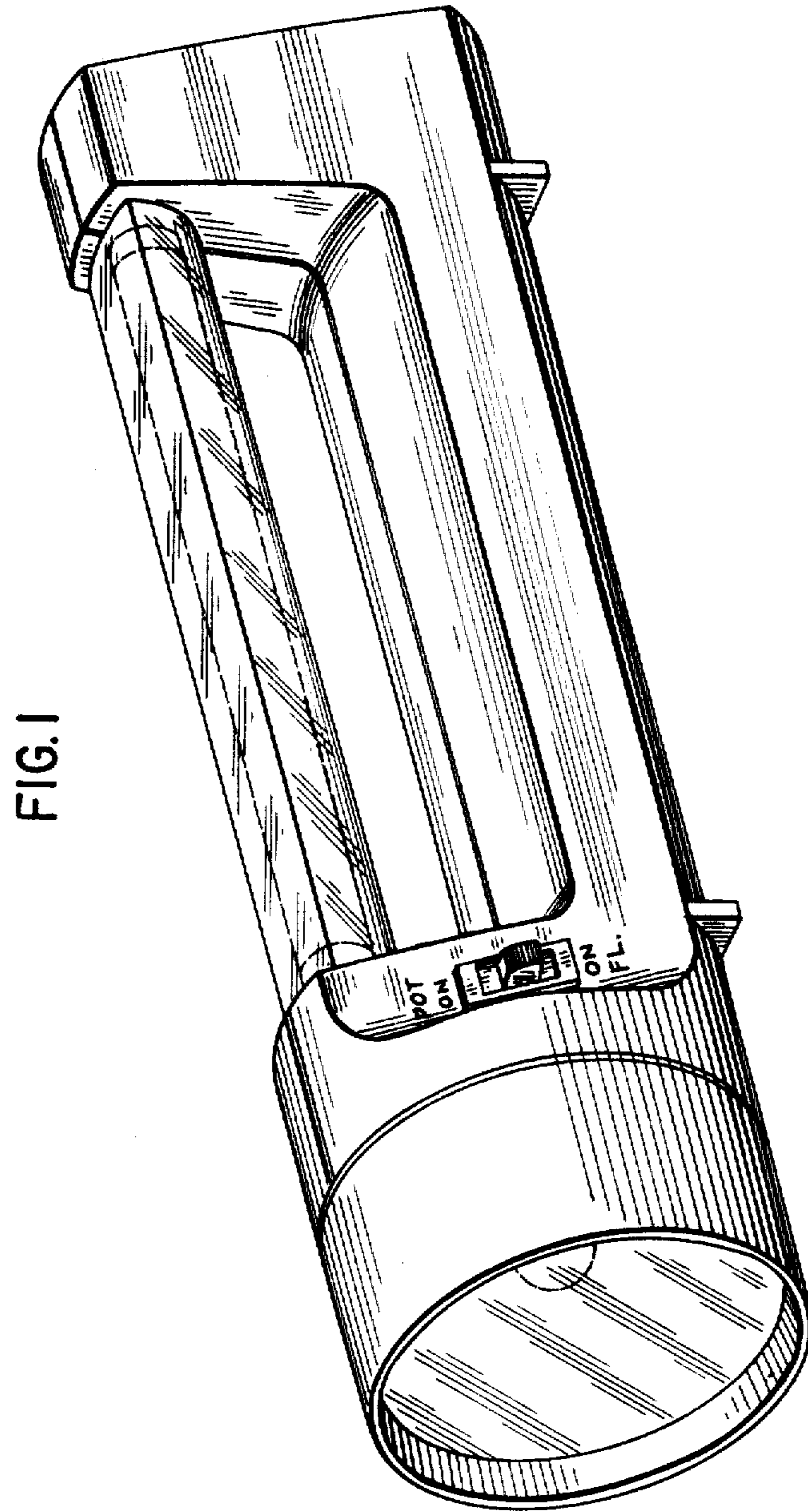


FIG. 1

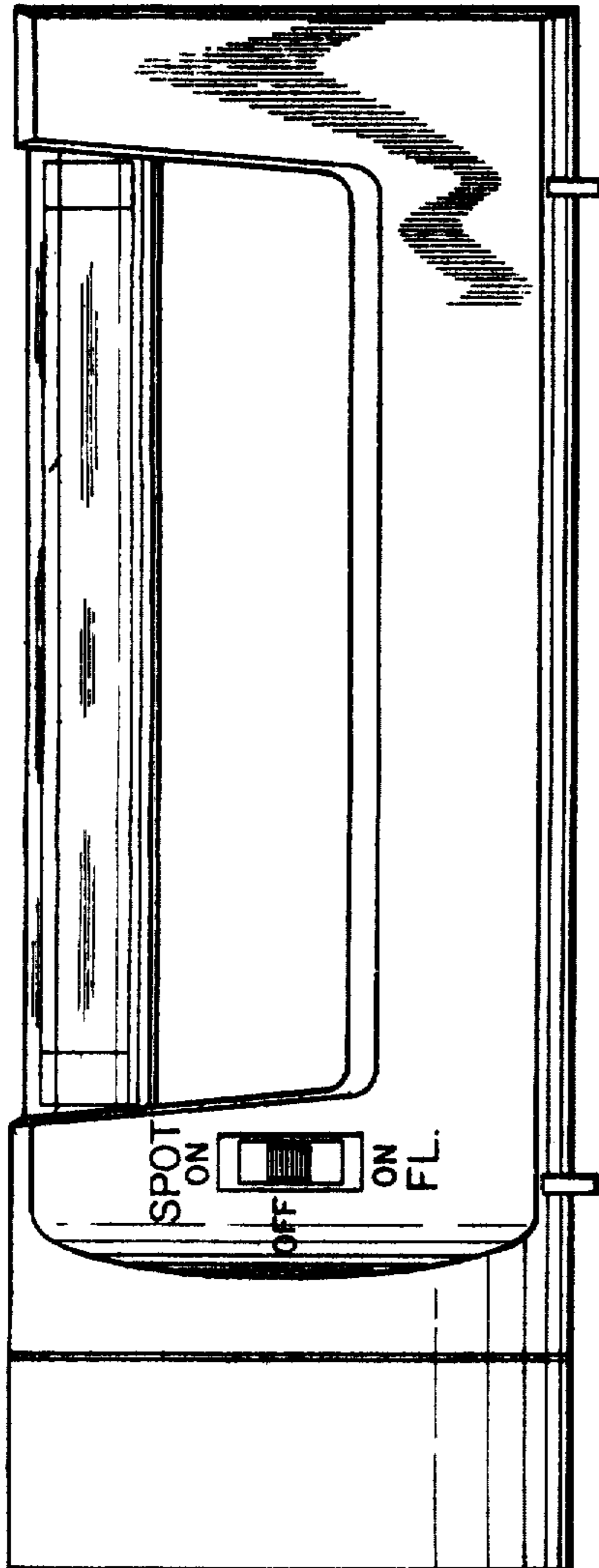


Fig. 2

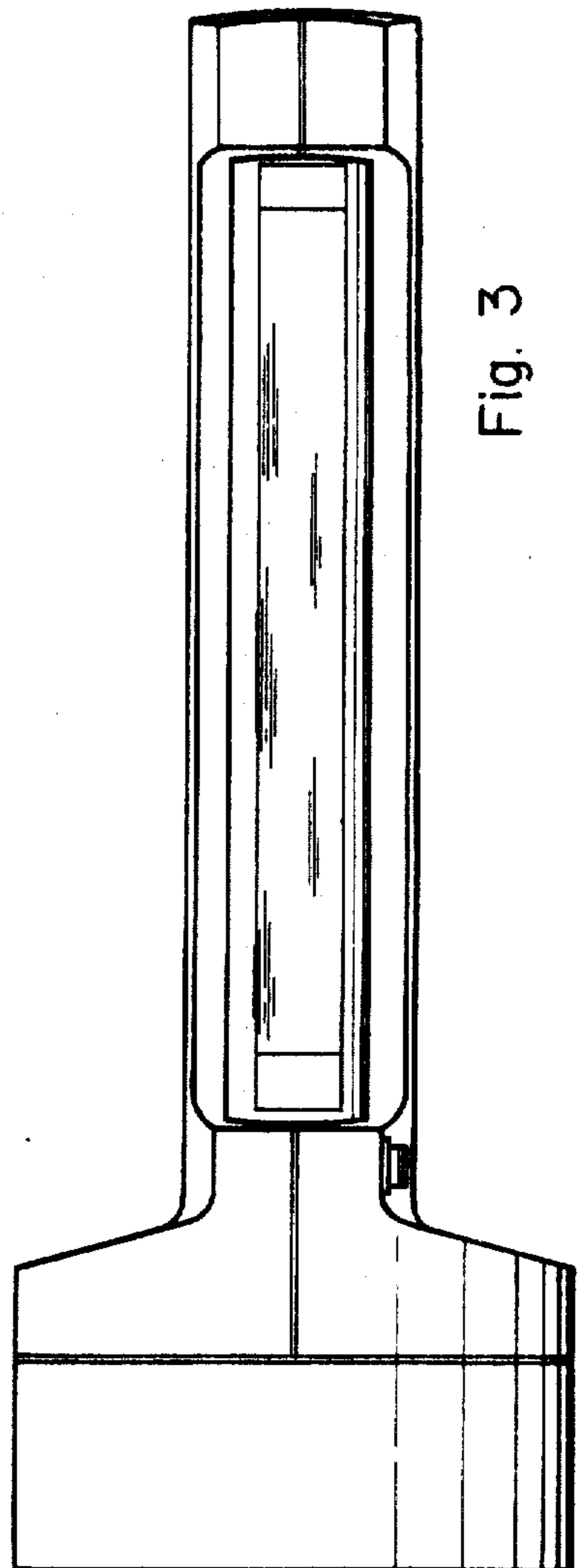


Fig. 3

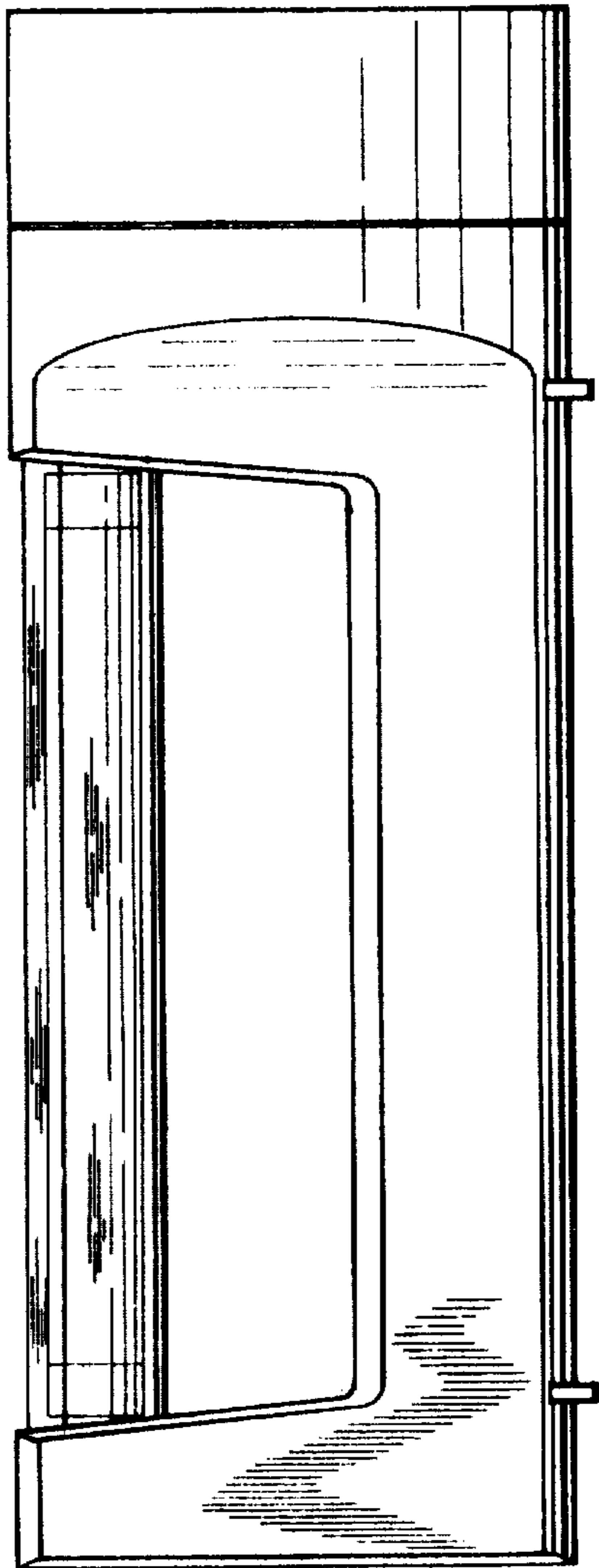


Fig. 4

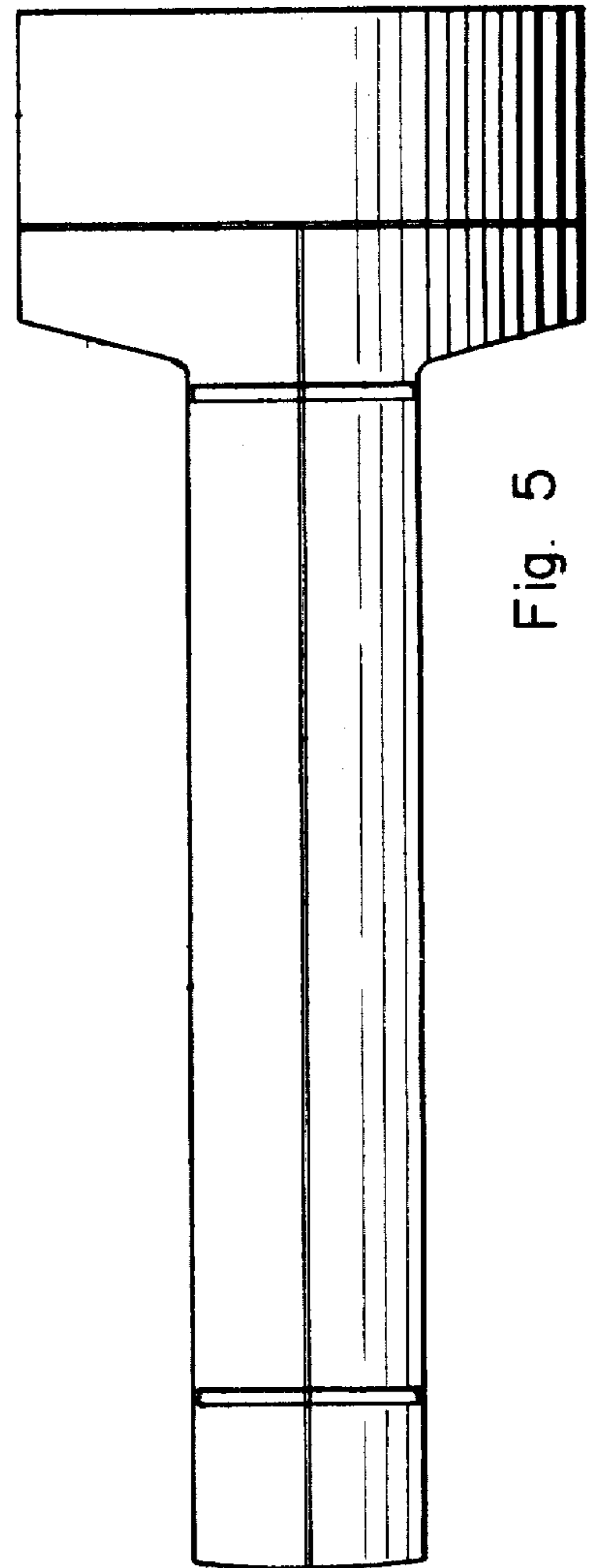


Fig. 5

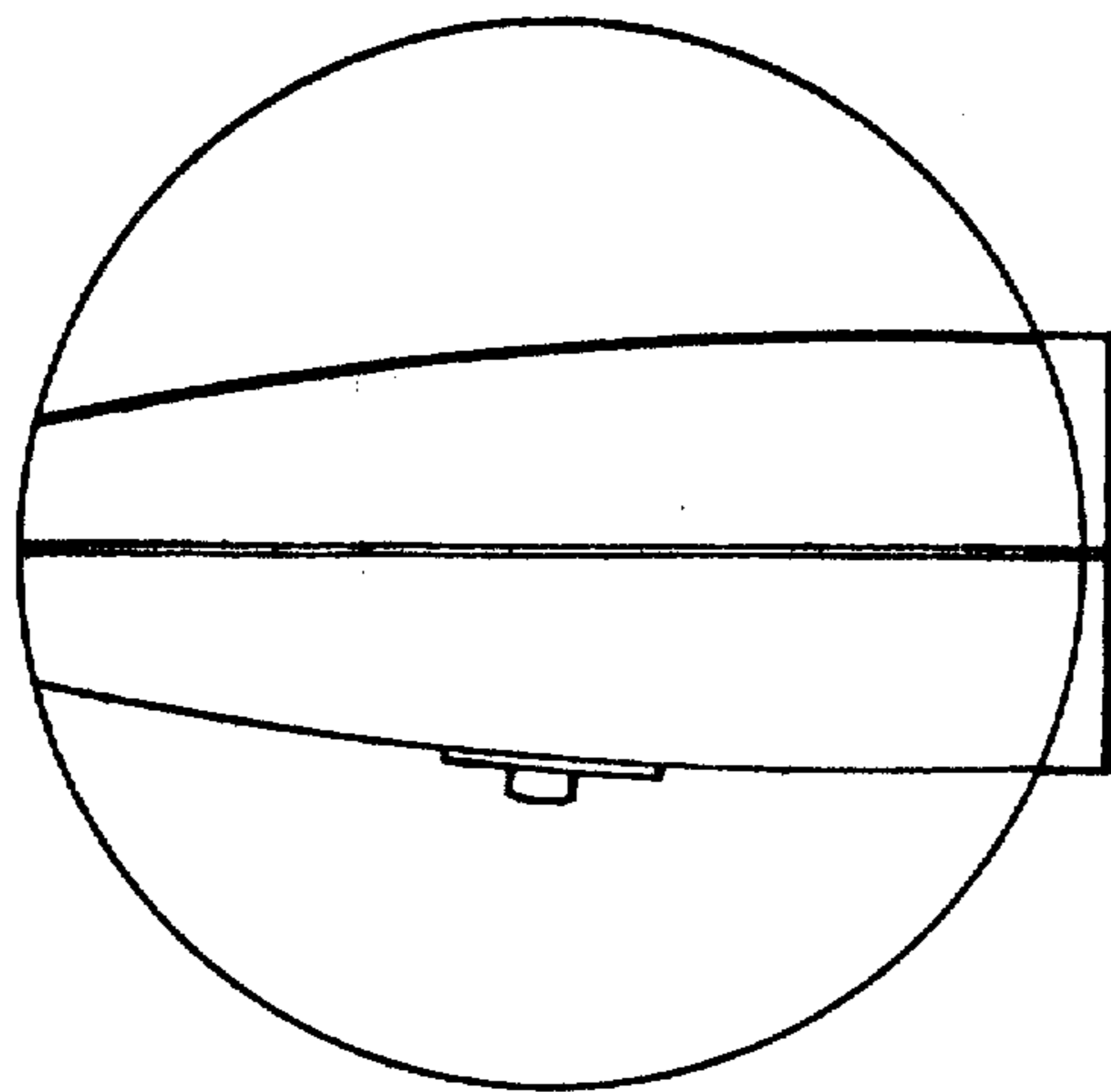


Fig. 7

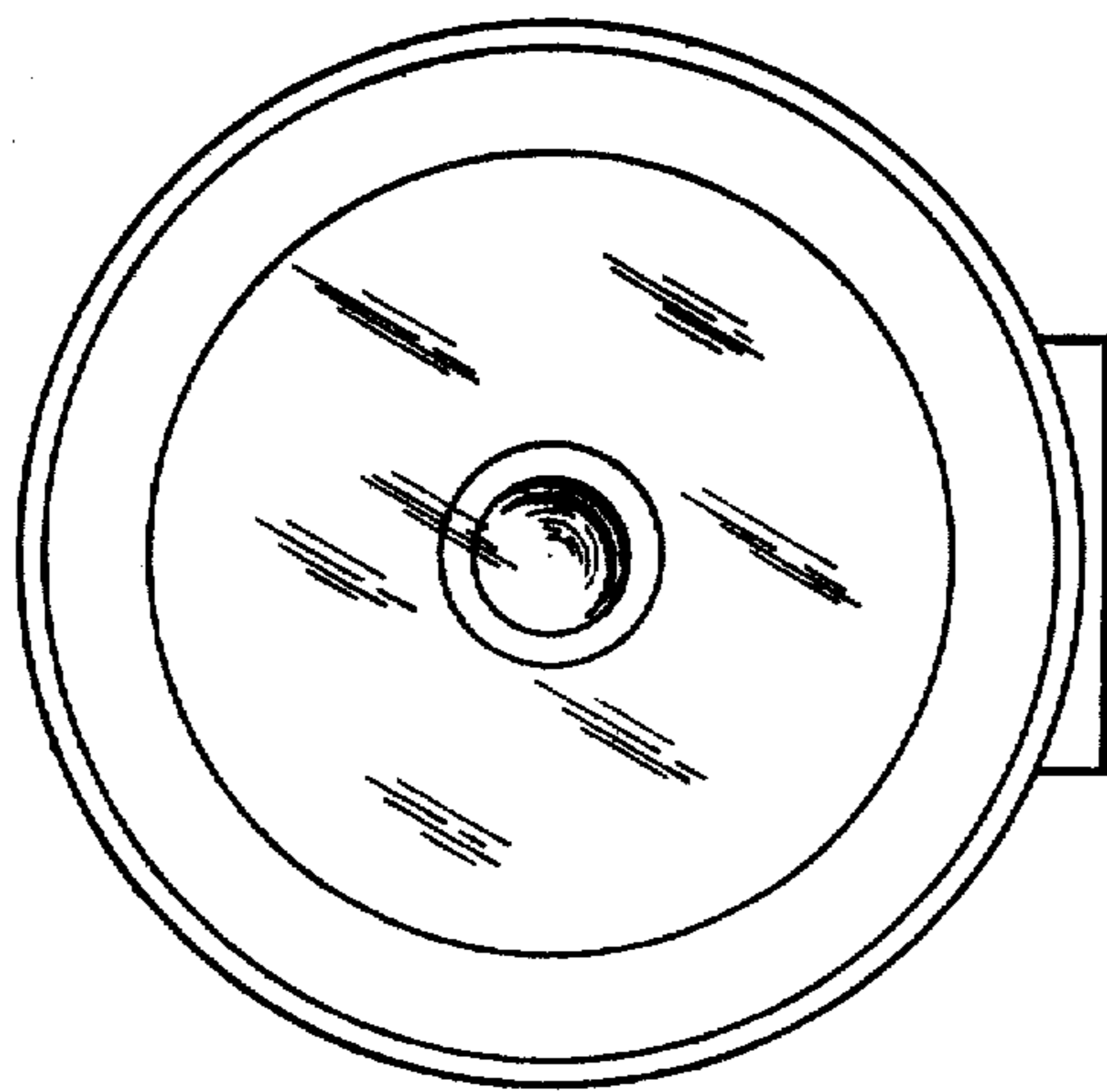


Fig. 6