

[54] EMBALMING TROCAR STERILIZER

3,794,042	2/1974	De Klotz et al.	206/364 X
3,876,067	4/1975	Schwarz	422/300
3,896,810	7/1975	Akiyama	604/272 X
4,211,750	7/1980	Gillespie	422/300

[76] Inventor: Charles H. Campton, 525 Delaware Ave., Palmerton, Pa. 18071

[**] Term: 14 Years

Primary Examiner—Bernard Ansher
Attorney, Agent, or Firm—John S. Roberts, Jr.

[21] Appl. No.: 238,559

[57] CLAIM

[22] Filed: Feb. 26, 1981

The ornamental design for the embalming trocar sterilizer, as shown and described.

[51] Int. Cl. D24—09

DESCRIPTION

[52] U.S. Cl. D24/09; D24/06; D24/99

[58] Field of Search D24/99; 604/164, 364; 422/300; 206/364, 368

FIG. 1 is a perspective view of an embalming trocar sterilizer showing my new design; FIG. 2 is a top view thereof; and FIG. 3 is a side view thereof; FIG. 4 is a bottom view showing securing means thereof.

[56] References Cited

U.S. PATENT DOCUMENTS

1,014,128 1/1912 Crowe 604/164

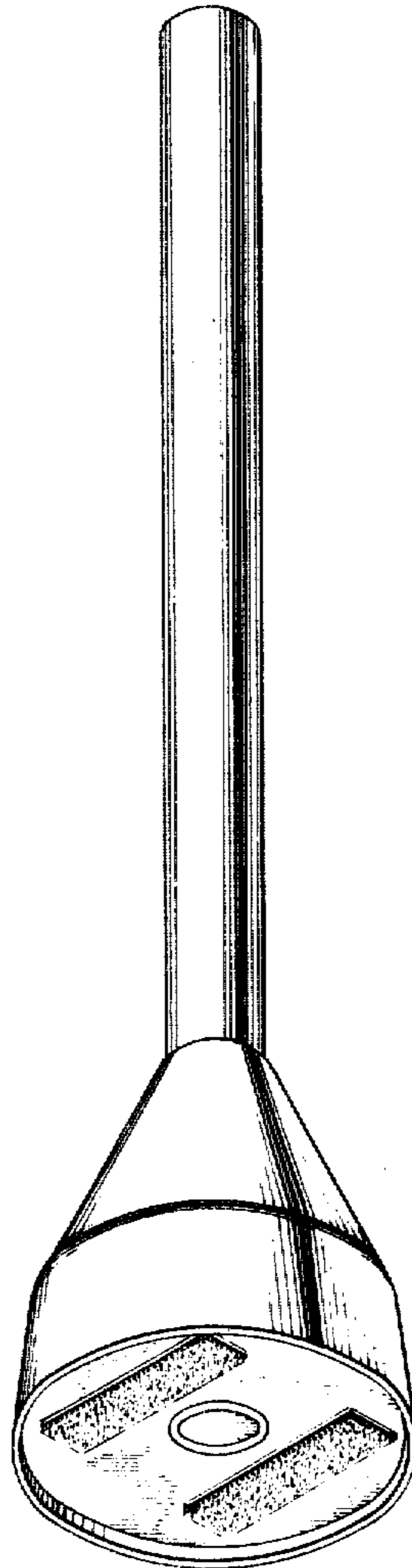


FIG. 1

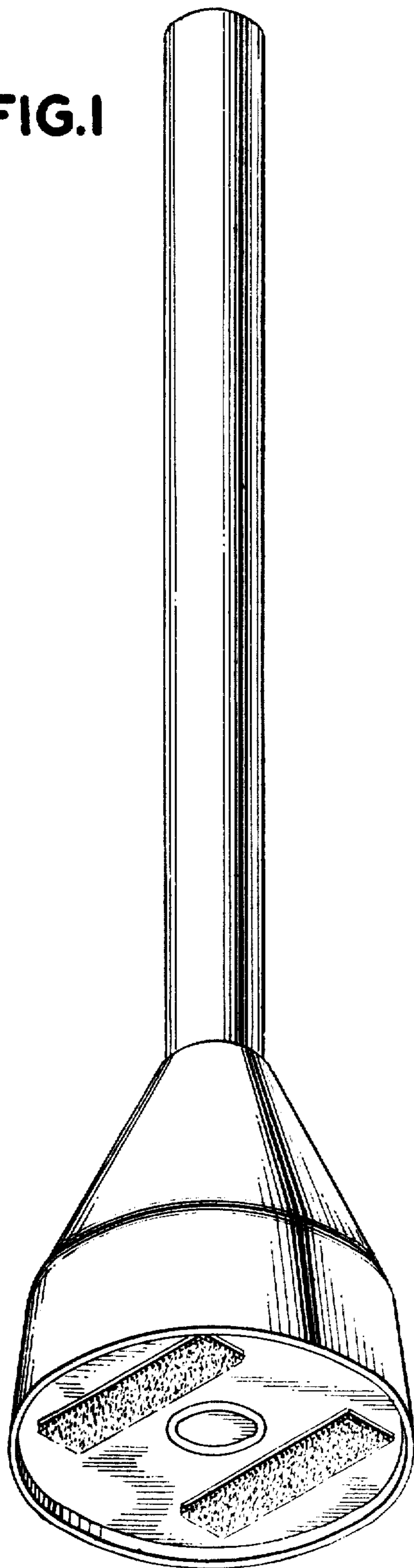


FIG. 2

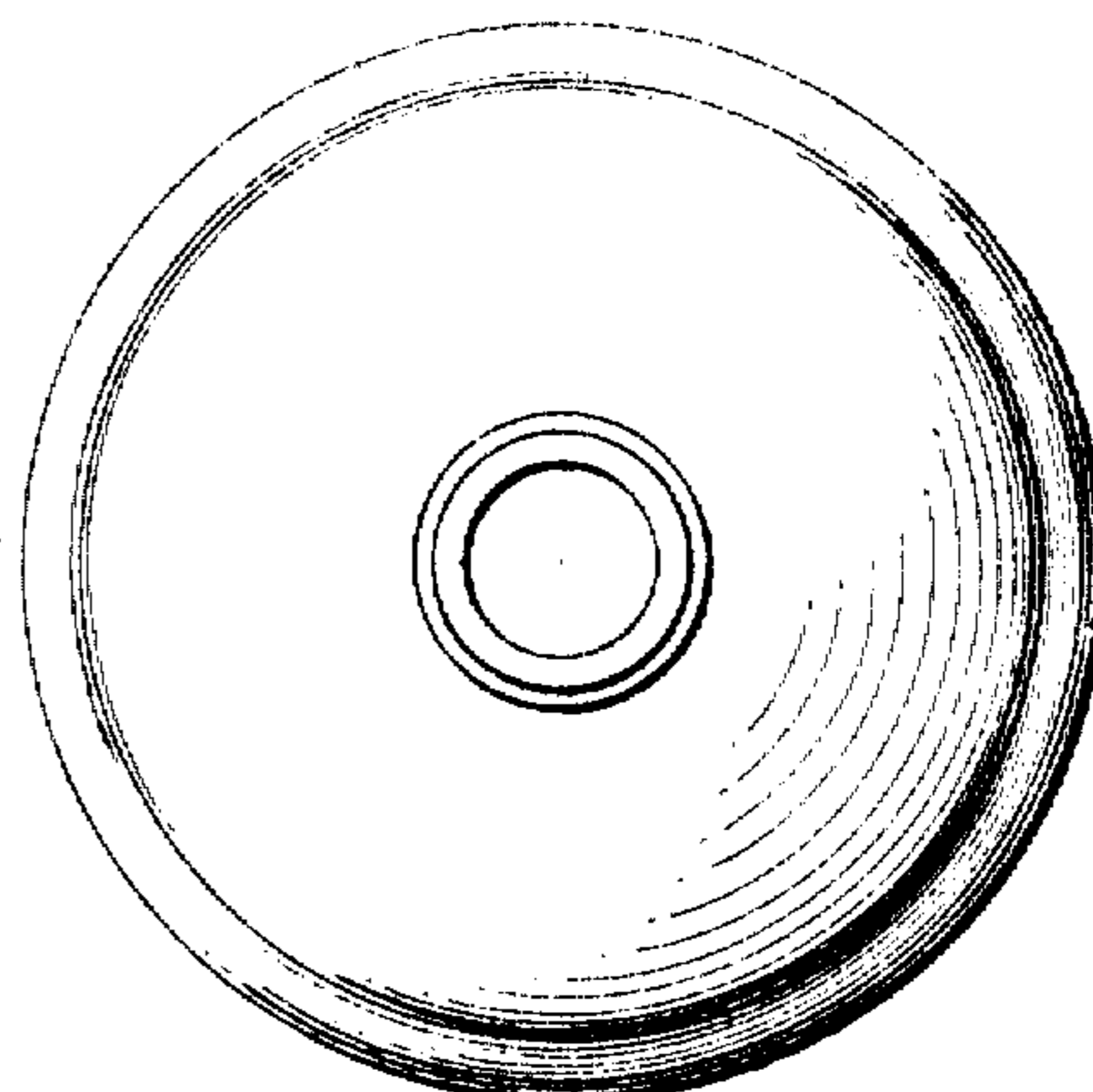


FIG. 3

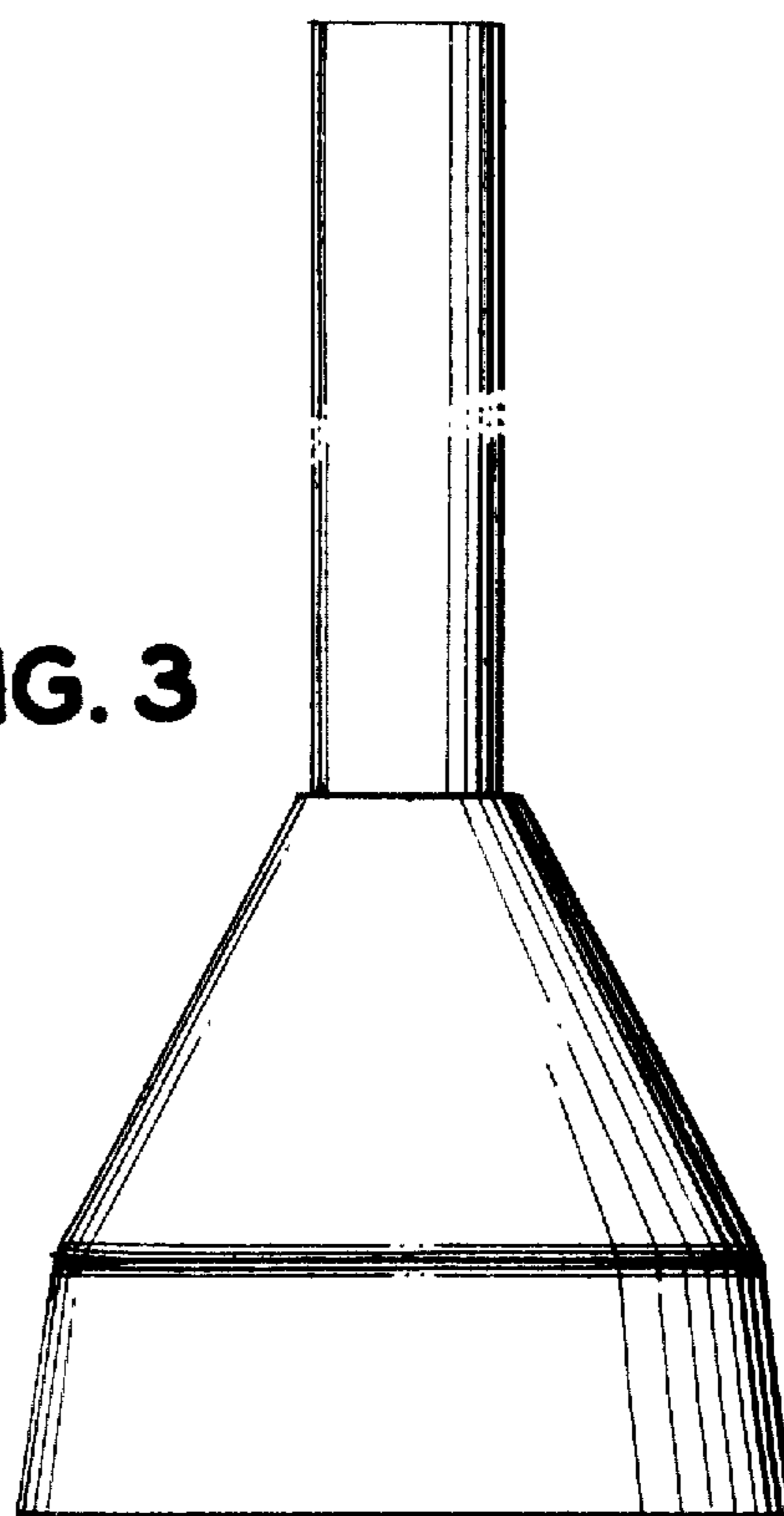


FIG. 4

