

[54] OPTICAL MEASURING INSTRUMENT

[75] Inventor: Donald Waslander, Paris, France
[73] Assignee: Essilor International (Compagnie
Generale d'Optique), Creteil, France

[**] Term: 14 Years

[21] Appl. No.: 258,538

[22] Filed: Apr. 28, 1981

[30] Foreign Application Priority Data

Nov. 4, 1980 [FR] France 803397

[51] Int. Cl. D24-01
[52] U.S. Cl. D24/1.1; D24/17
[58] Field of Search 356/399, 172; D24/17,
D24/1.1; 351/17, 23, 27, 28, 19, 39

[56] References Cited

U.S. PATENT DOCUMENTS

D. 188,814 9/1960 Wesley et al. D24/17
D. 245,917 9/1977 Armbruster D24/17
D. 254,933 5/1980 Müller D24/17
3,640,610 2/1972 Nupuf 356/399
3,871,772 3/1975 Munneryn et al. 351/39 X

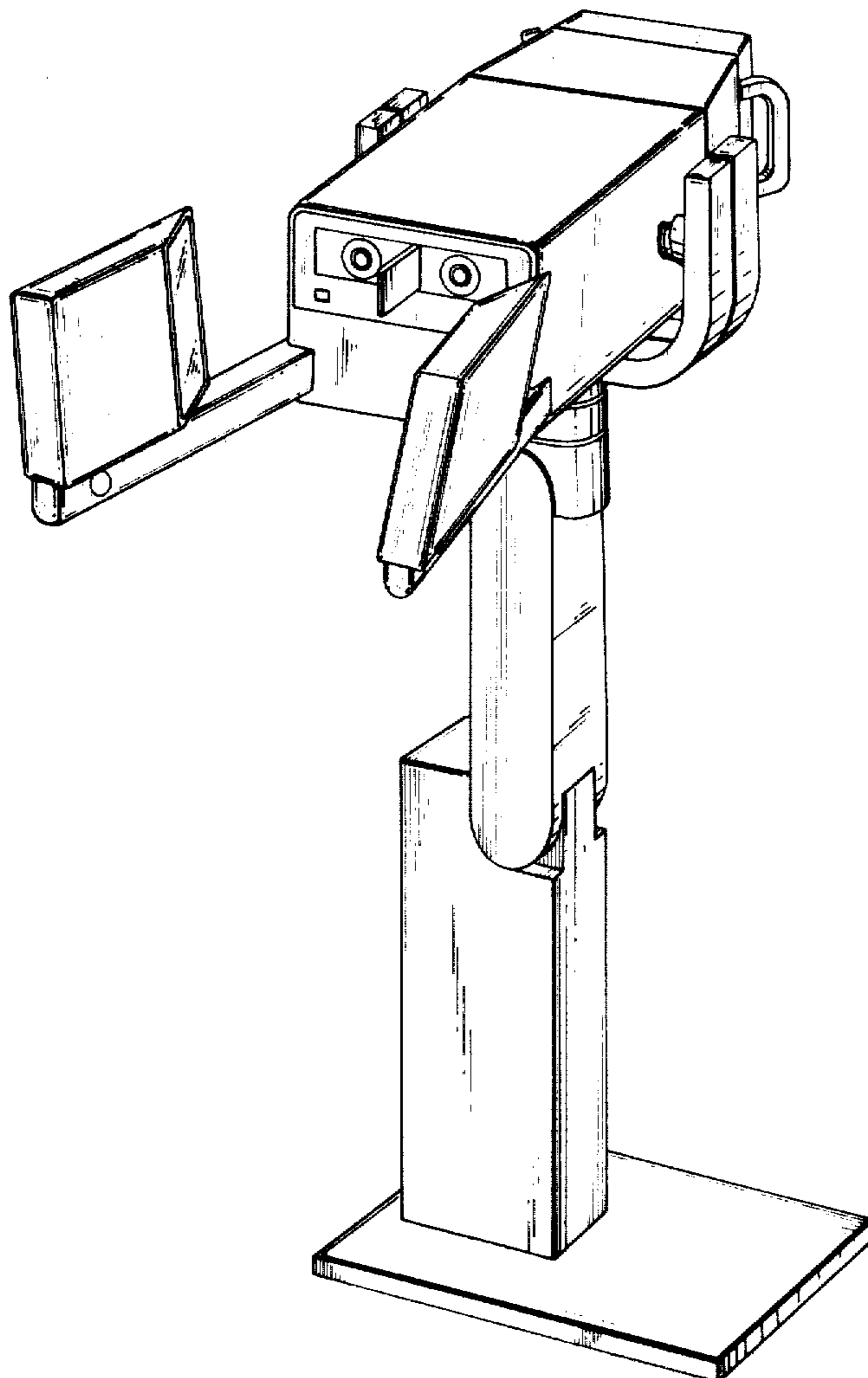
Primary Examiner—Bernard Ansher
Attorney, Agent, or Firm—Burgess, Ryan and Wayne

[57] CLAIM

The ornamental design for an optical measuring instrument, substantially as shown and described.

DESCRIPTION

FIG. 1 is a left side elevation view of an optical measuring instrument according to my new design, the right side elevation view being a mirror image thereof; FIG. 2 is a rear elevation view thereof; FIG. 3 is a front elevation view thereof; FIG. 4 is a top plan view thereof; FIG. 5 is an isometric view thereof; FIG. 6 is an elevation view thereof, and FIG. 7 is a bottom plan view thereof.



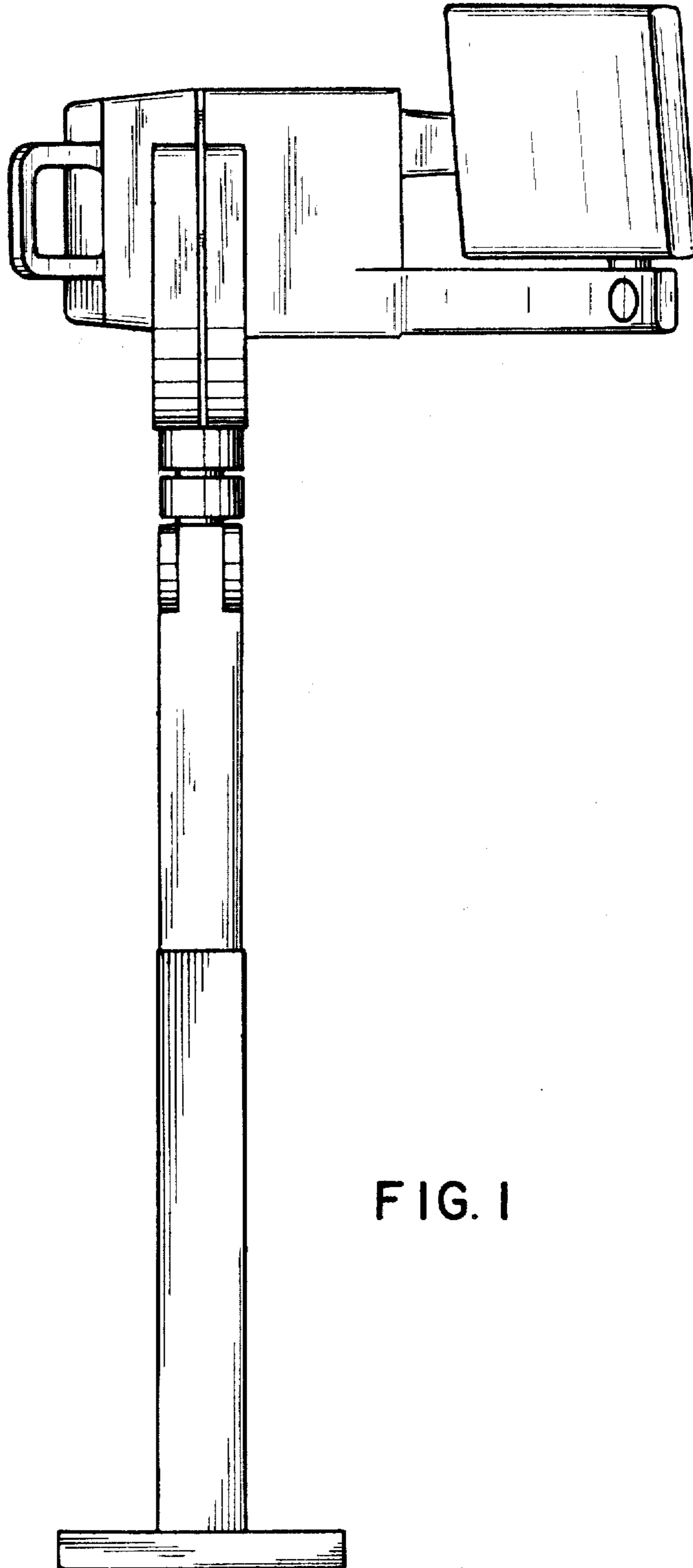


FIG. 1

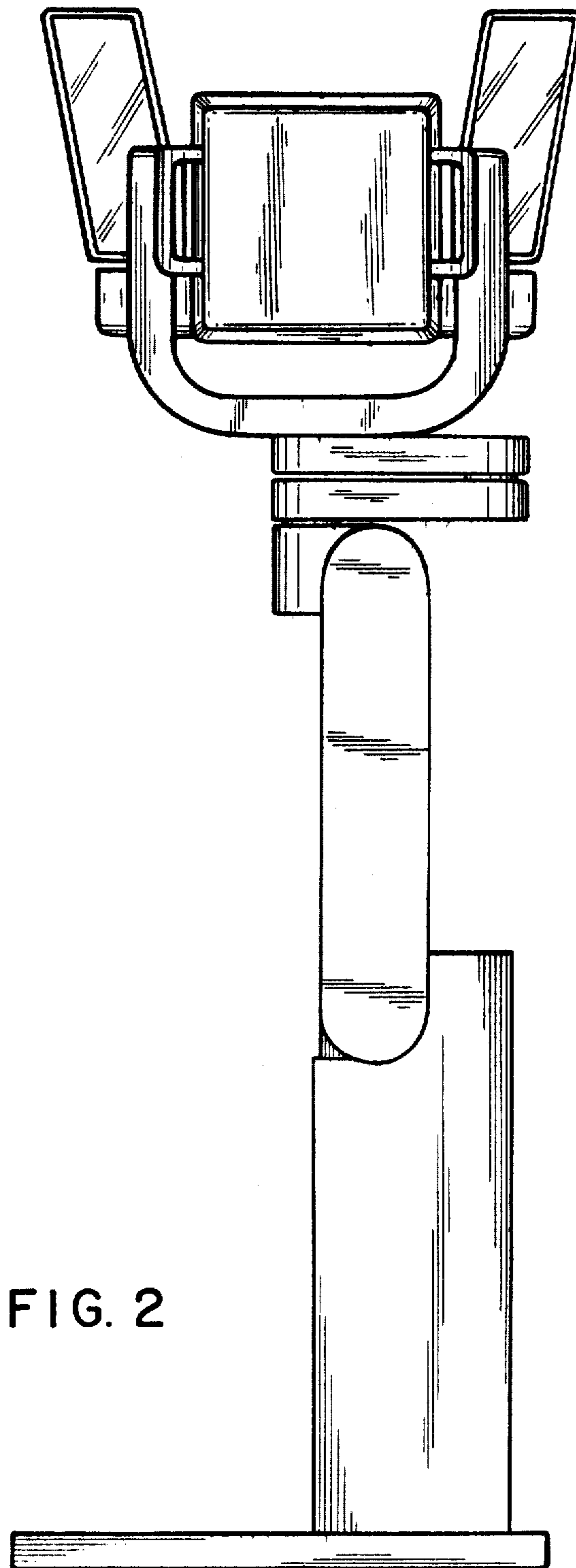


FIG. 2

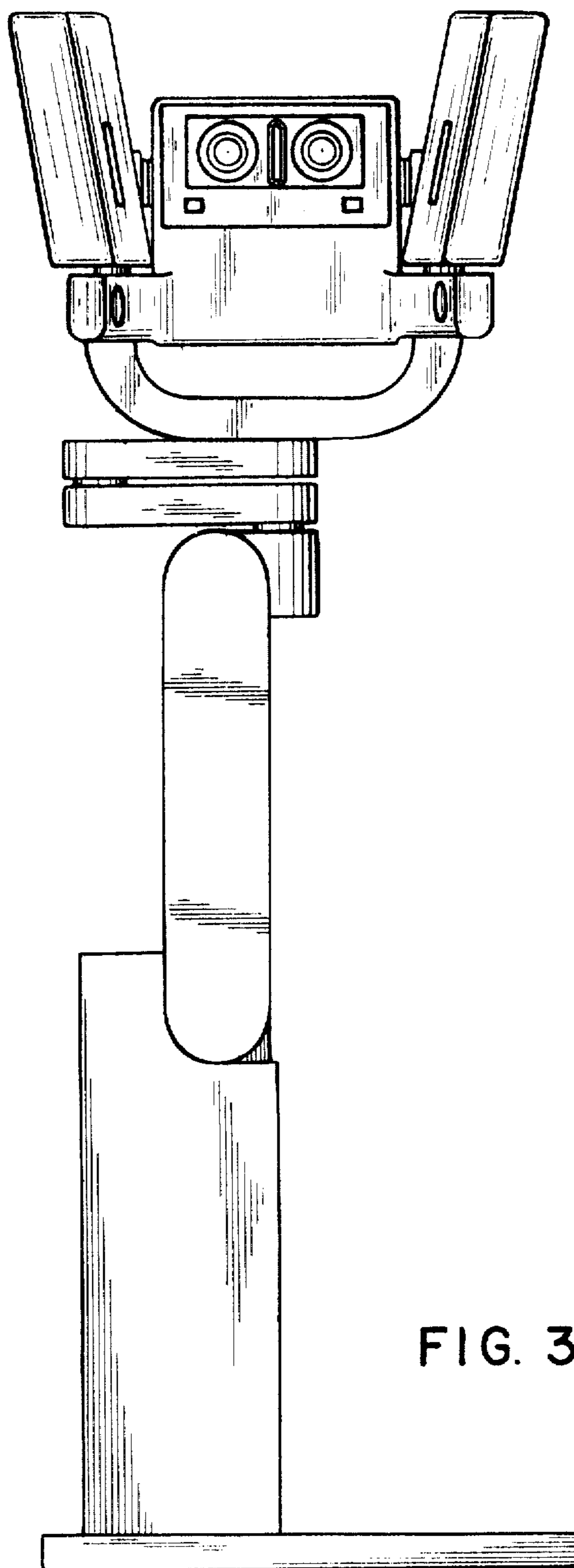


FIG. 3

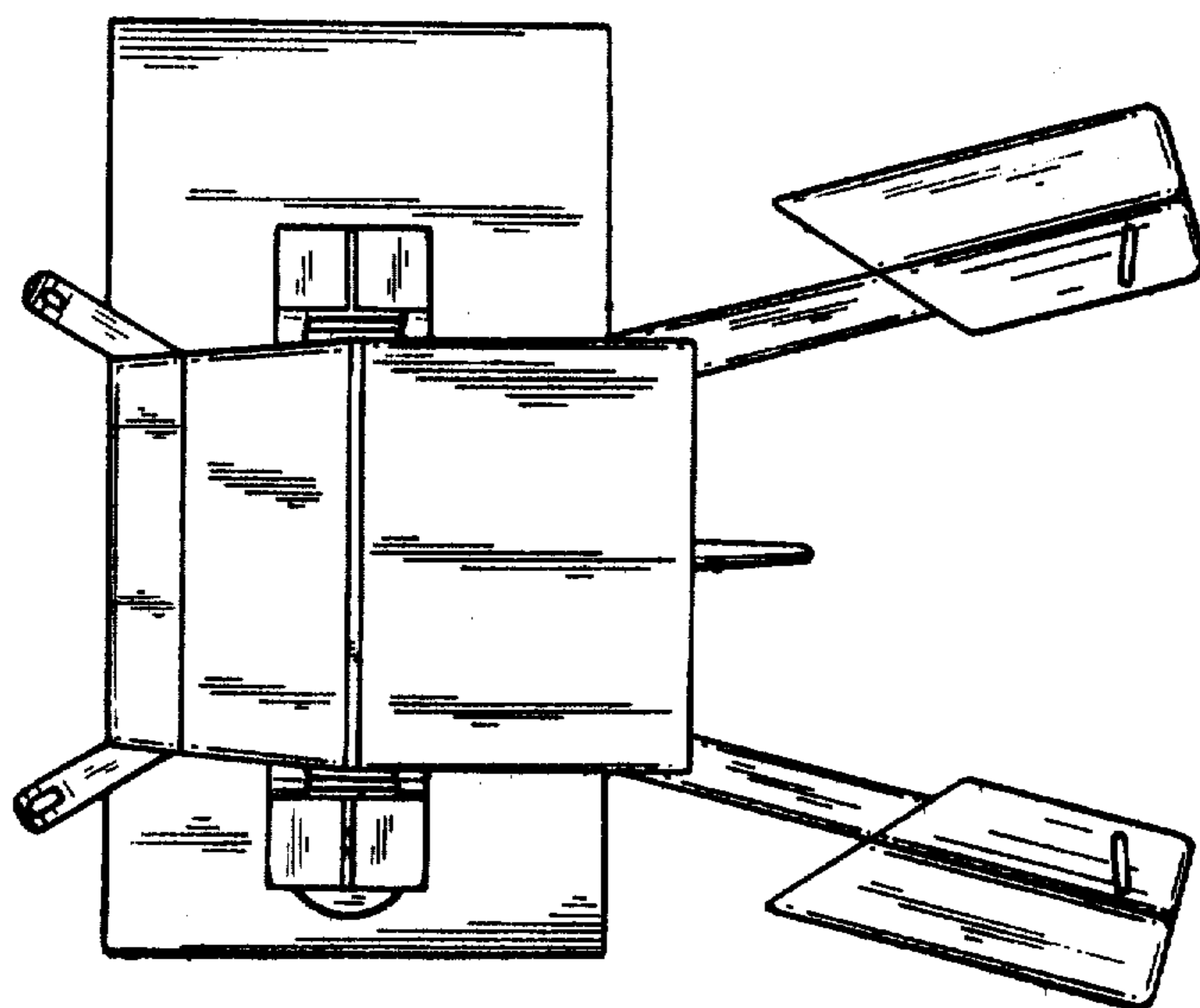


FIG. 4

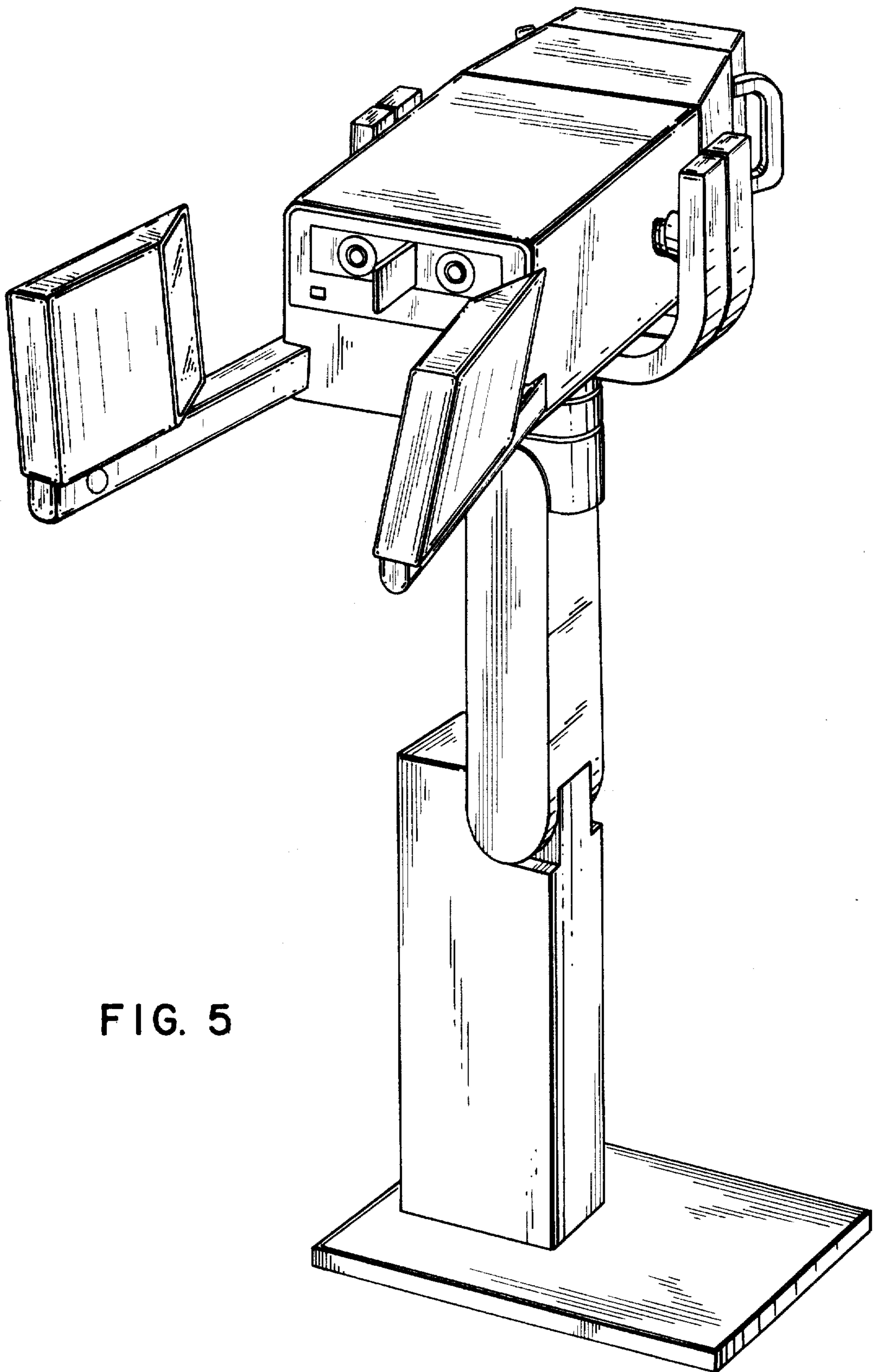


FIG. 5

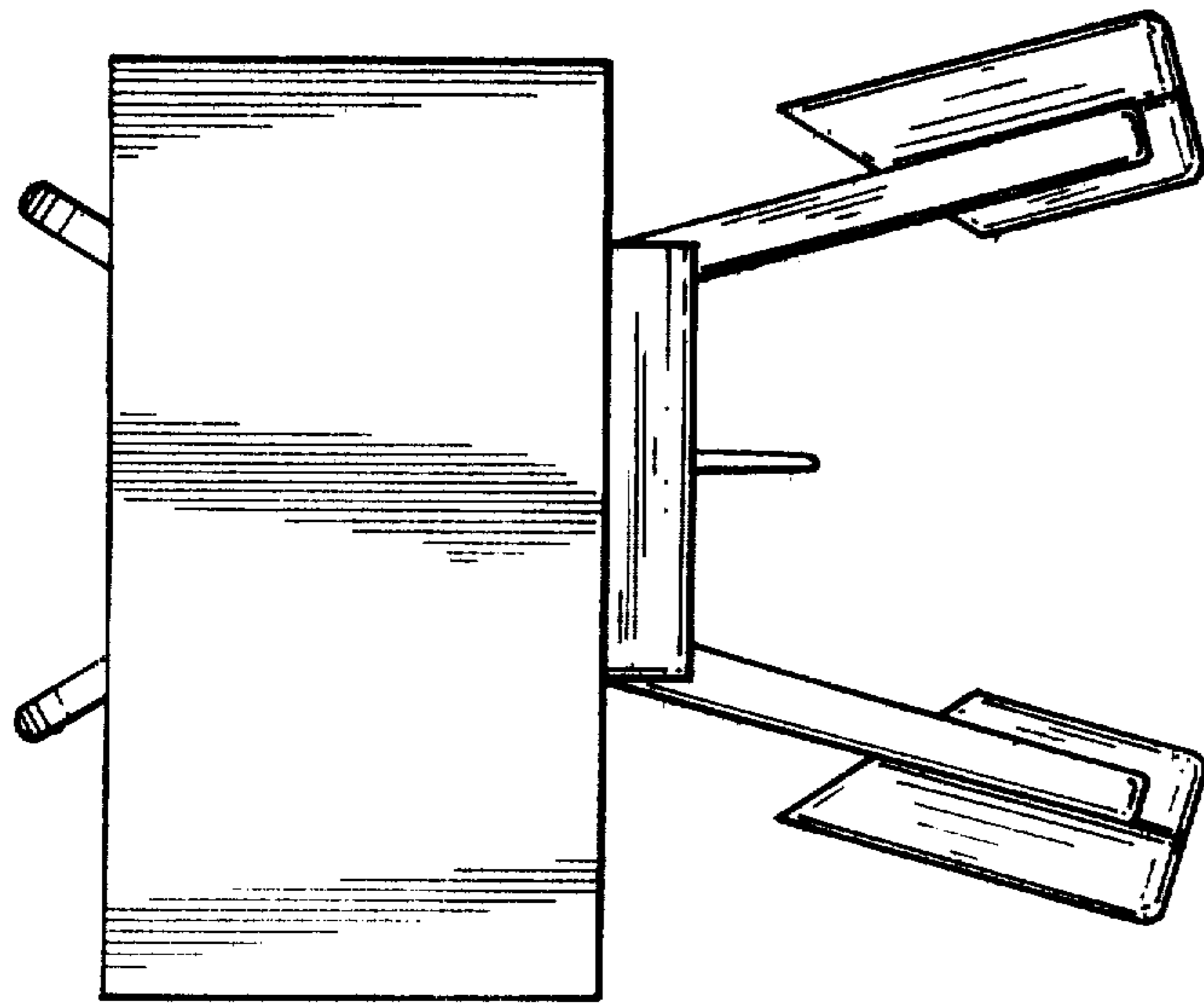
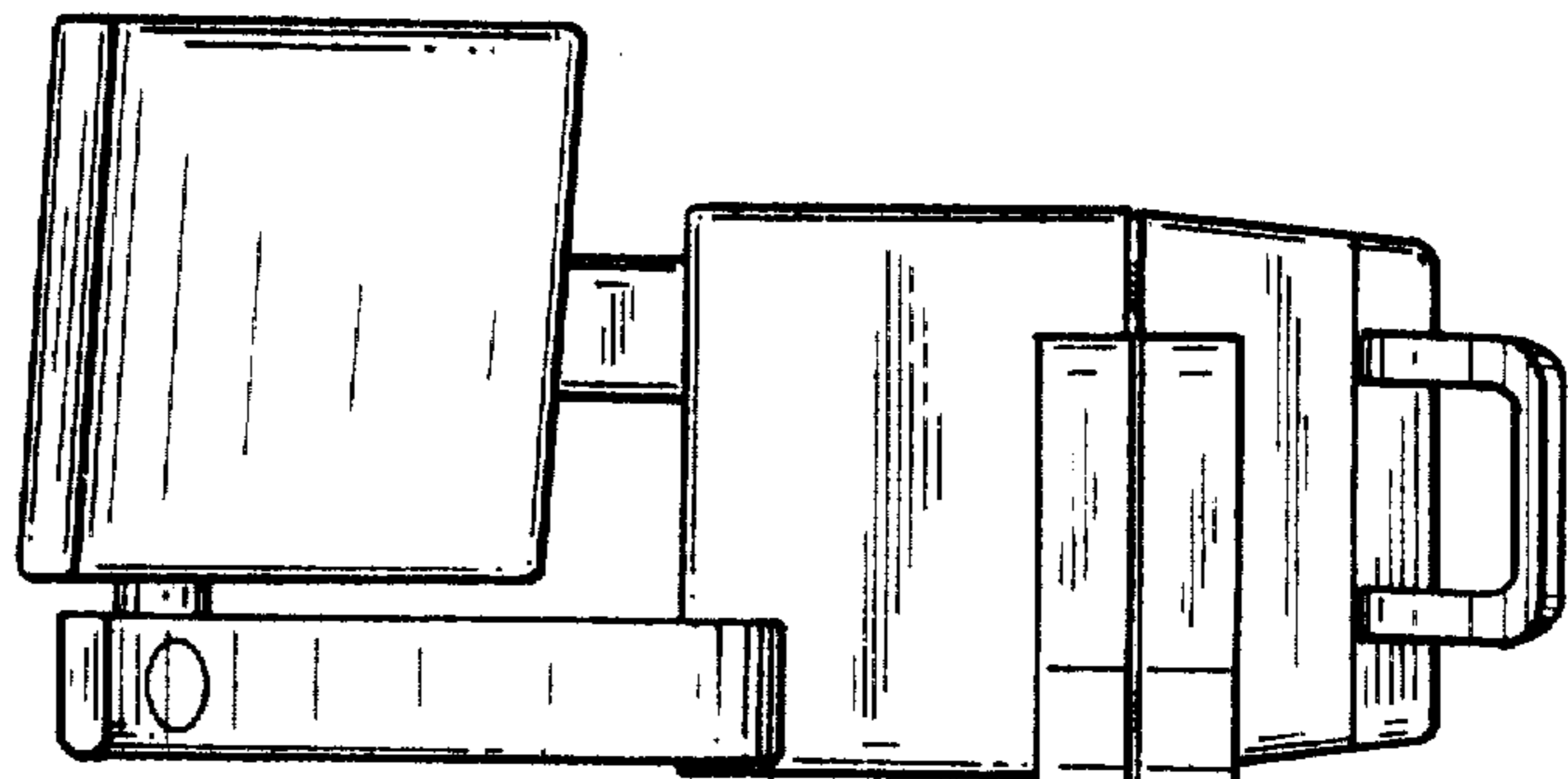


FIG. 7

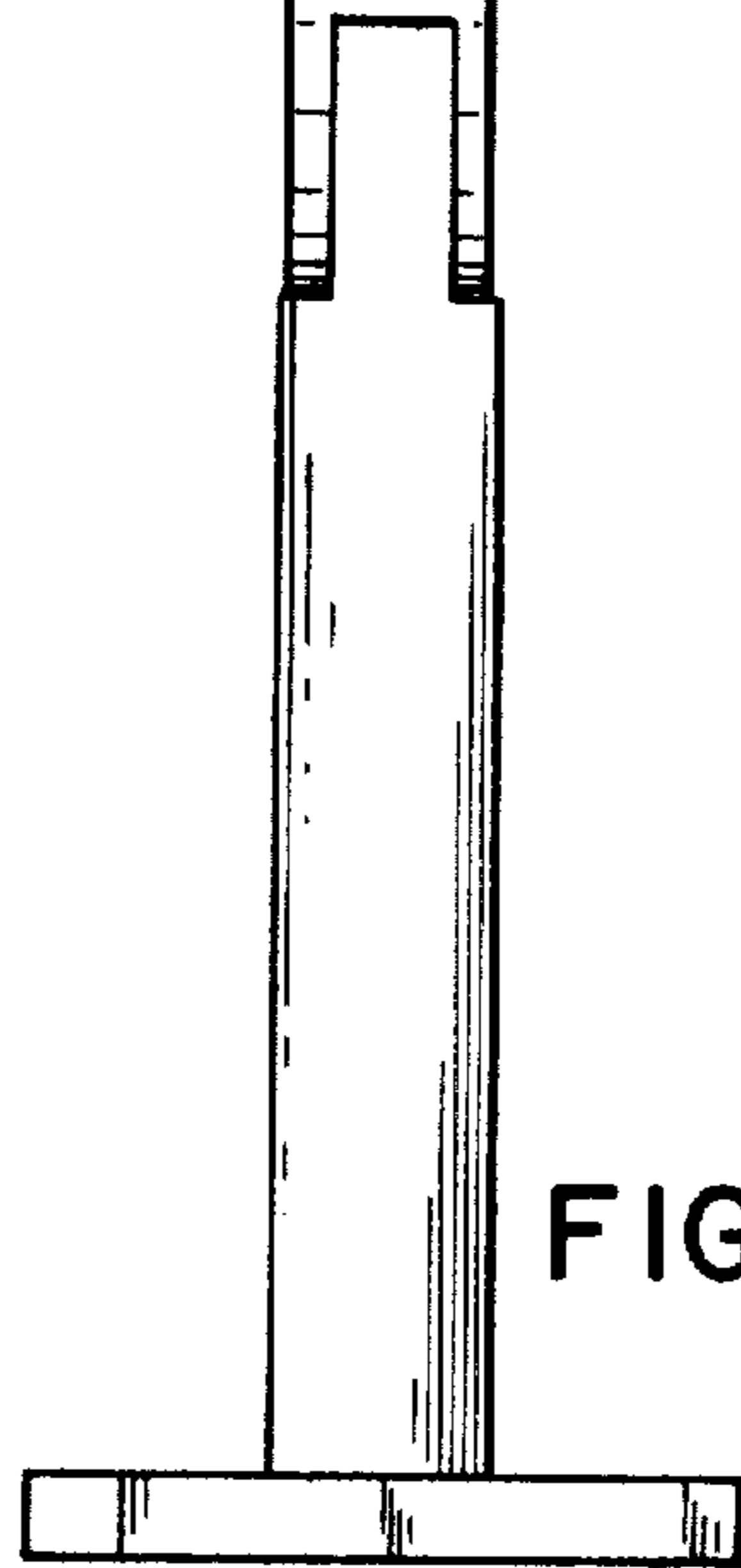


FIG. 6