

[54] SPACE TOY

D. 263,727 4/1982 Probert D21/87

[75] Inventor: **Kenneth R. Wilkes**, East Aurora, N.Y.

[73] Assignee: **The Quaker Oats Company**, Chicago, Ill.

[**] Term: **14 Years**

[21] Appl. No.: **345,745**

[22] Filed: **Feb. 4, 1982**

[51] Int. Cl. **D21-01**

[52] U.S. Cl. **D21/87**

[58] Field of Search **D21/87, 88, 89; D12/319, 320, 321, 12; 46/74 A, 74 B, 76 R, 76 A, 79**

[56] **References Cited**

U.S. PATENT DOCUMENTS

- D. 170,025 7/1953 Myser D21/87
- D. 259,889 7/1981 Probert D21/87

OTHER PUBLICATIONS

Hong Kong Enterprize Catalog, 7-1980, item #666, "Galactic Rocket Car".
 J. C. Penny Xmas Catalog, 1979, p. 480, item E, "Cylon Raider".

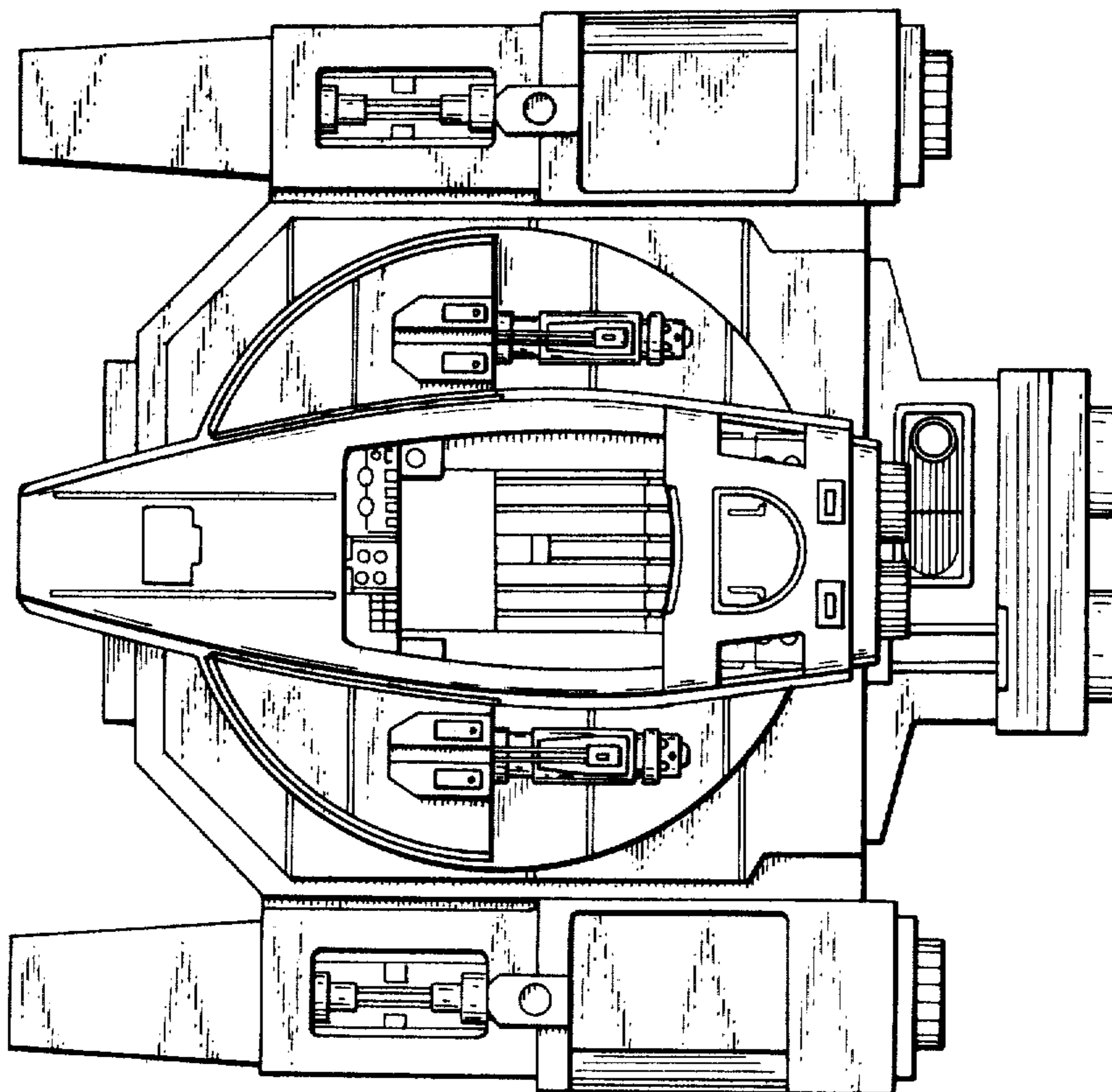
Primary Examiner—Charles A. Rademaker
Attorney, Agent, or Firm—Cumpston & Shaw

[57] **CLAIM**

The ornamental design for a space toy, substantially as shown and described.

DESCRIPTION

FIG. 1 is a top plan view of a space toy showing my new design;
 FIG. 2 is a left side elevational view thereof, the right side being substantially a mirror image;
 FIG. 3 is a front elevational view thereof;
 FIG. 4 is a rear elevational view thereof; and
 FIG. 5 is a bottom plan view thereof.



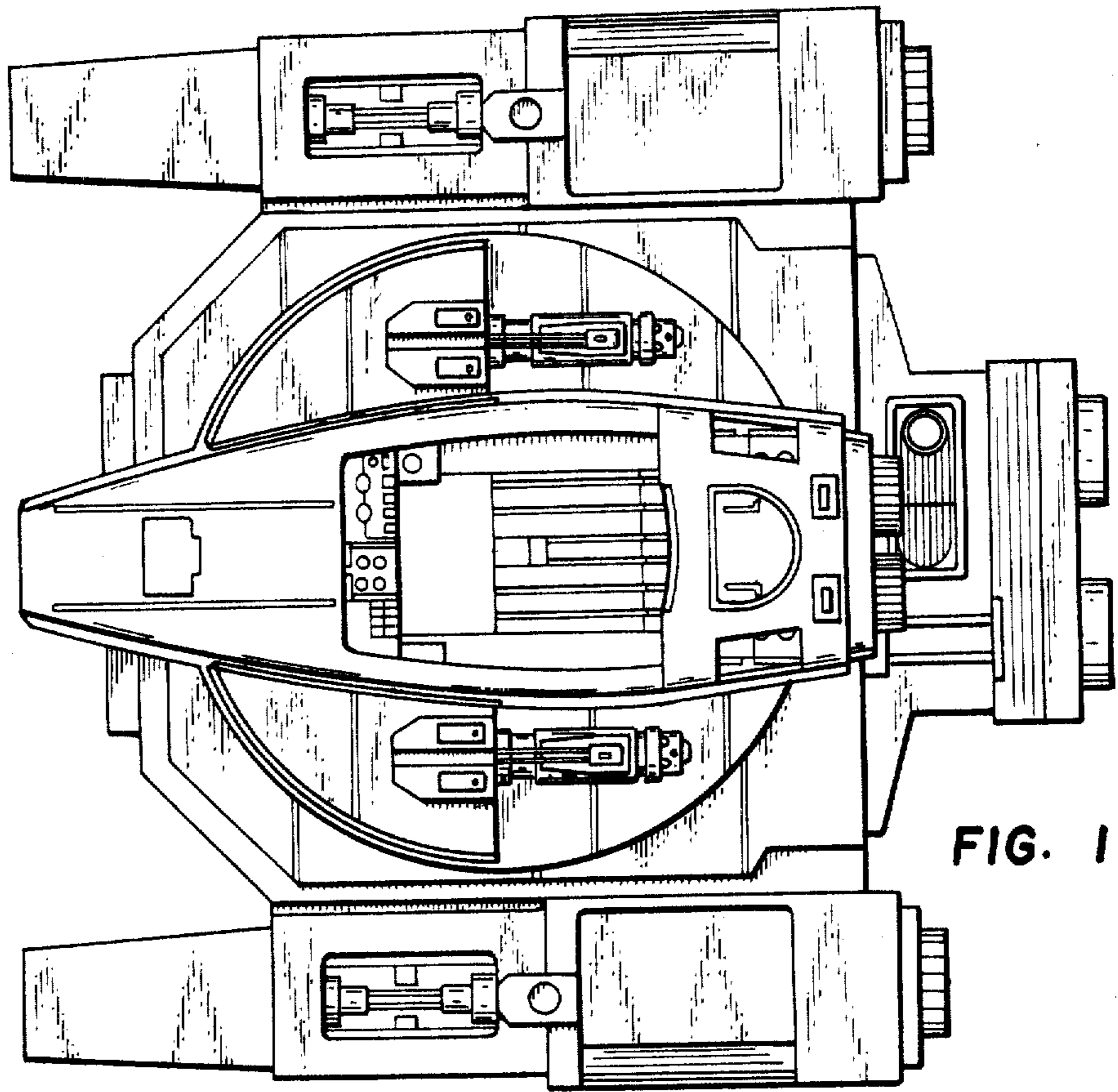


FIG. 1

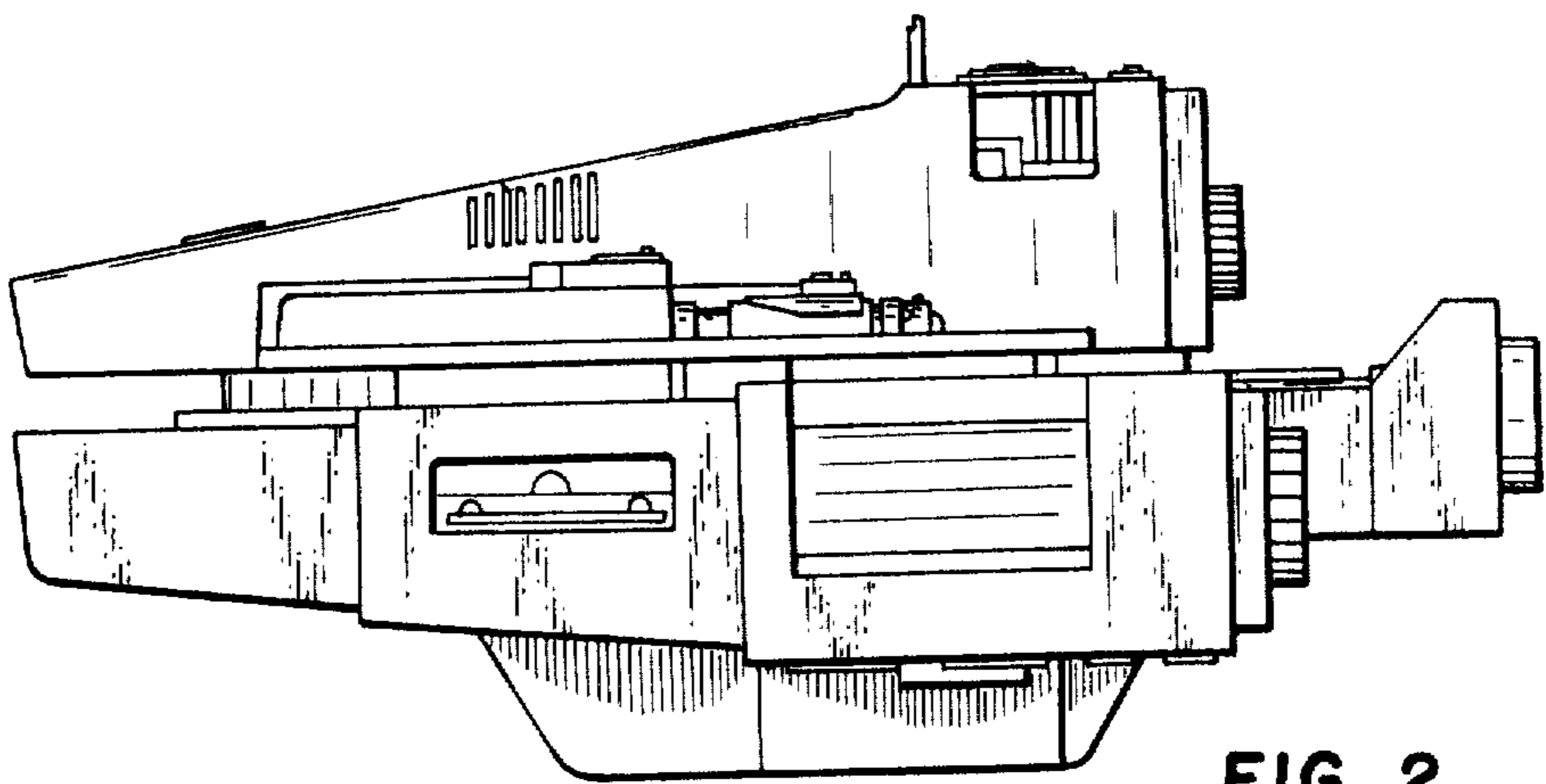


FIG. 2

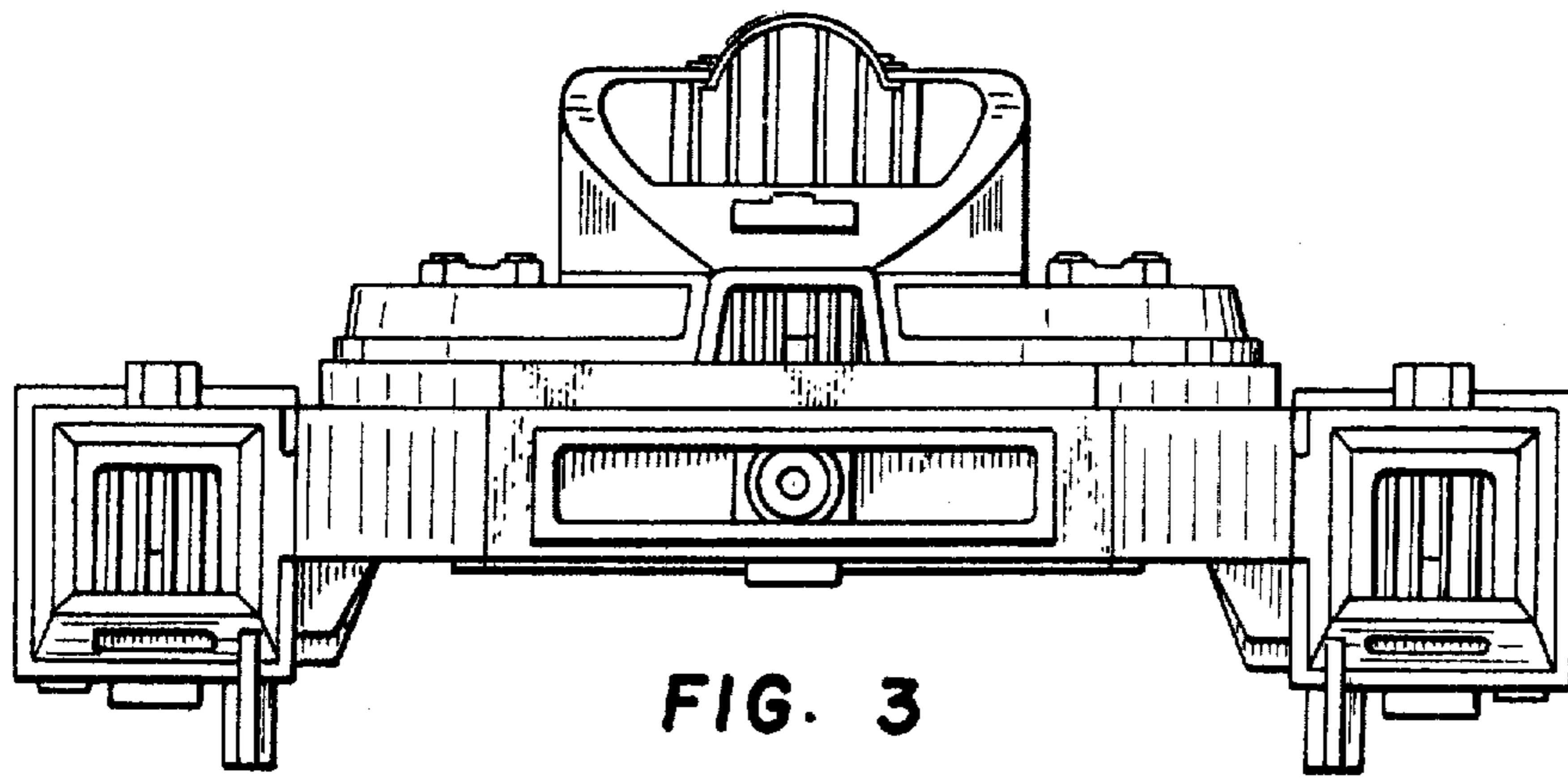


FIG. 3

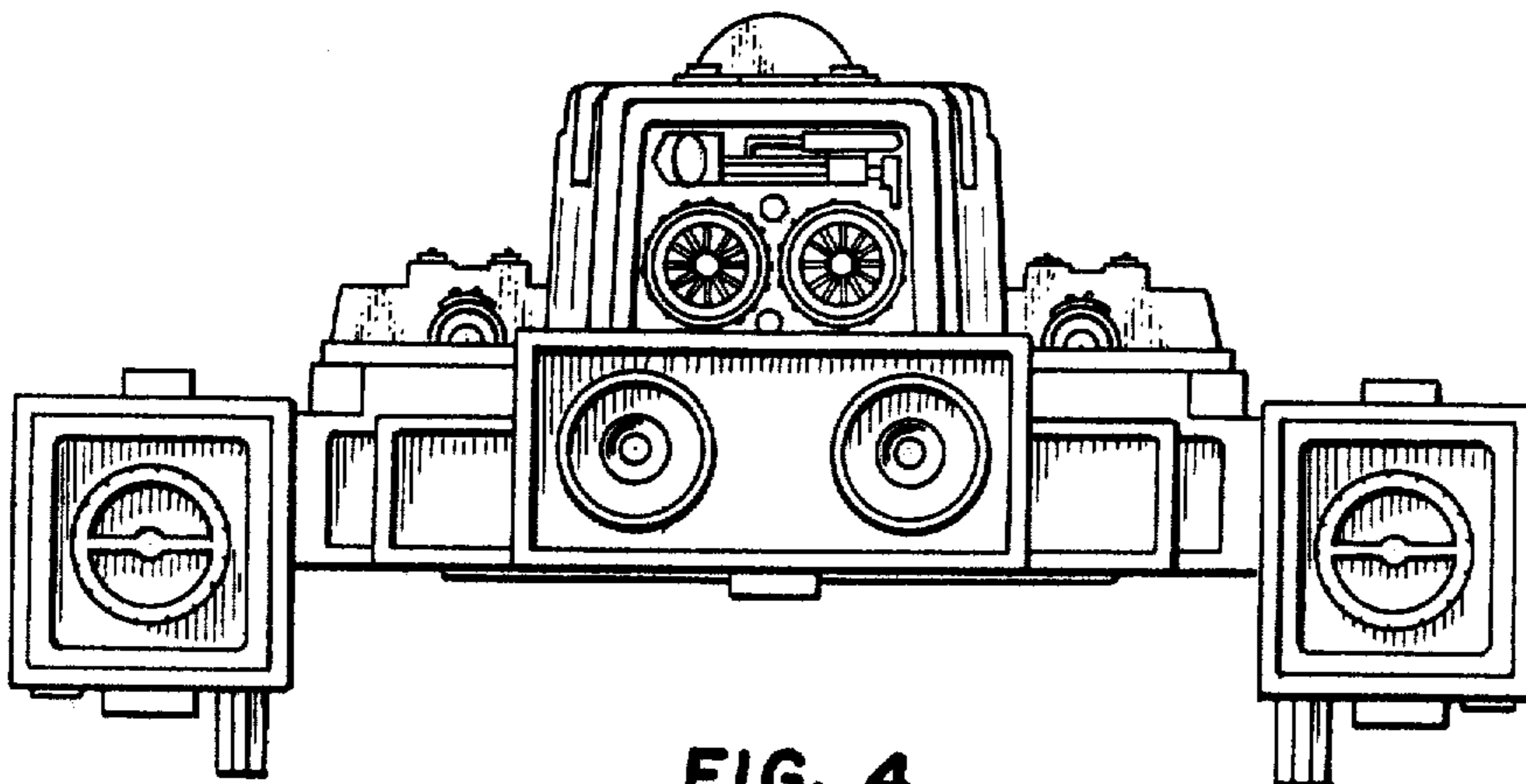


FIG. 4

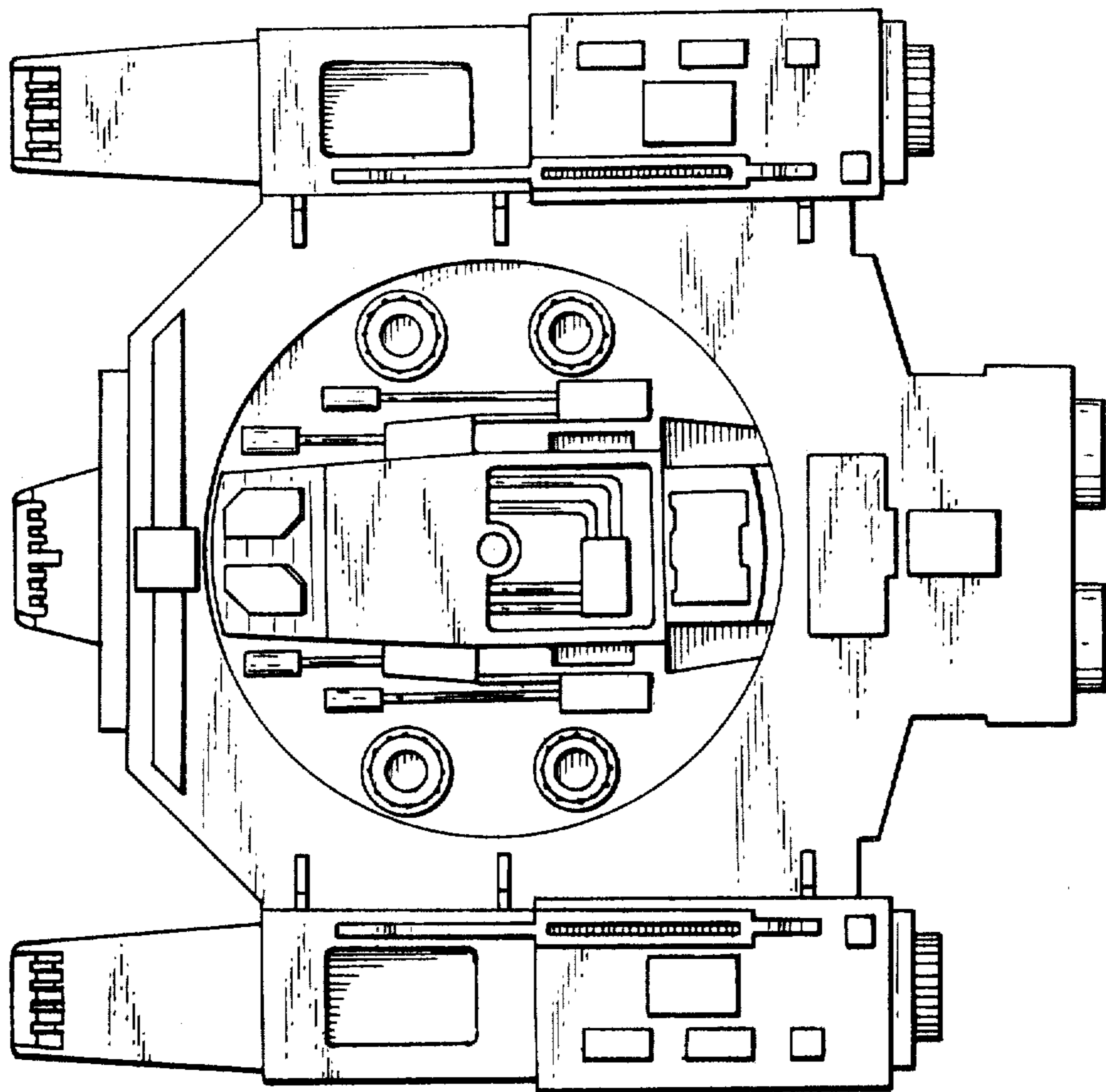


FIG. 5