

United States Patent [19]

Runions

[11] **Des. 271,895**

[45] **** Dec. 20, 1983**

[54] **BINGO-CARD HOLDER**

[76] Inventor: **William E. Runions**, 4859 W. 131st St., Hawthorne, Calif. 90250

[**] Term: **14 Years**

[21] Appl. No.: **312,429**

[22] Filed: **Oct. 19, 1981**

[51] Int. Cl. **D21-01**

[52] U.S. Cl. **D21/54**

[58] Field of Search **D21/54, 55, 57; 273/148 A, 150**

[56] **References Cited**

U.S. PATENT DOCUMENTS

D. 242,056 10/1976 Card et al. D21/54

1,629,070 5/1927 Cox D21/57
3,948,525 4/1976 Faintuch et al. 273/150

Primary Examiner—Melvin B. Feifer
Attorney, Agent, or Firm—Francis X. LoJacono

[57] **CLAIM**

The ornamental design for a bingo-card holder, as shown and described.

DESCRIPTION

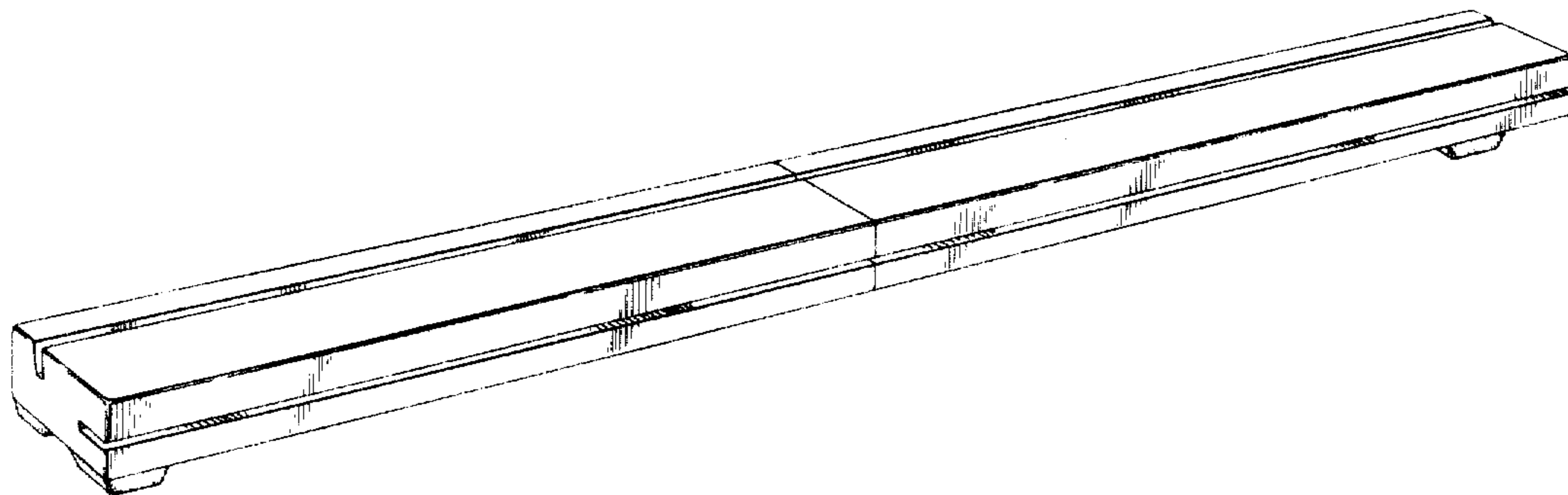
FIG. 1 is a perspective view of a bingo-card holder, showing my new design;

FIG. 2 is a side-elevational view of the side not seen in FIG. 1;

FIG. 3 is a bottom-plan view thereof;

FIG. 4 is a rear-elevational view thereof; and

FIG. 5 is a front-elevational view, showing the design in a folded position.



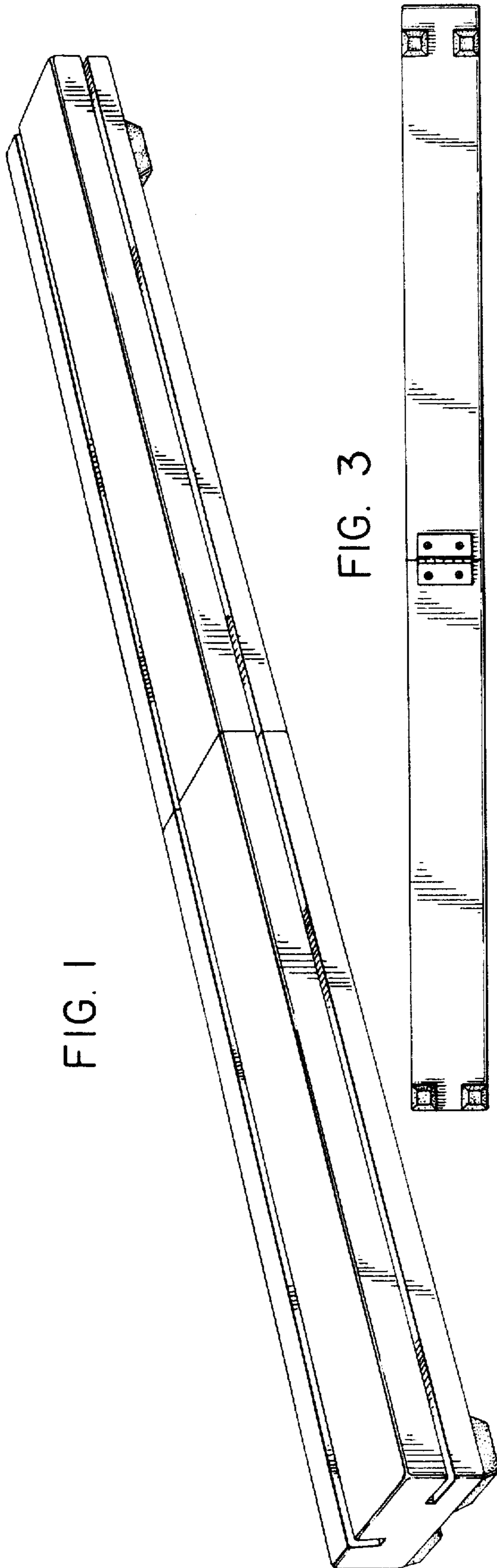


FIG. 3

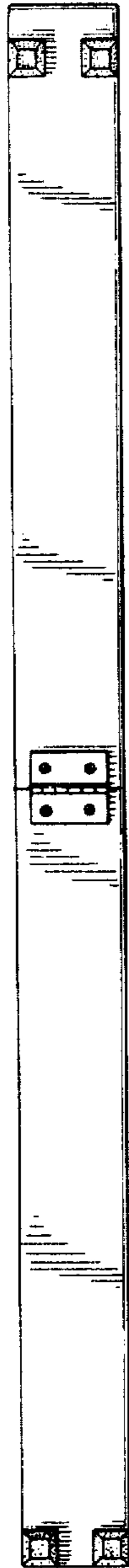


FIG. 4

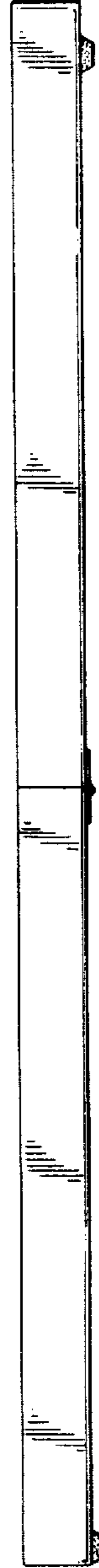


FIG. 2

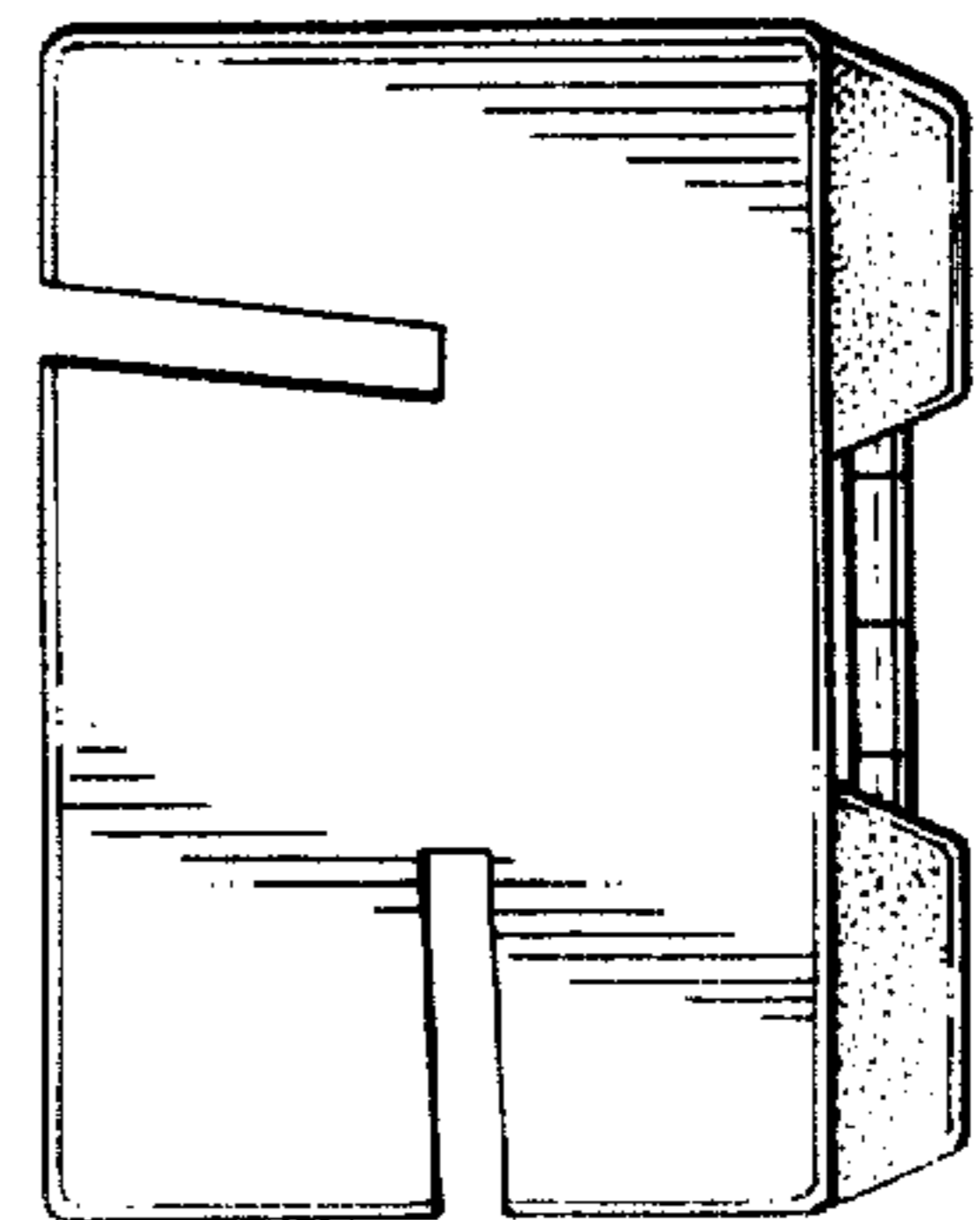


FIG. 5

