

[54] GAME BOARD

[76] Inventor: Frank Sims, 309-340 8th St., New Westminster, British Columbia, Canada

[**] Term: 14 Years

[21] Appl. No.: 303,562

[22] Filed: Sep. 18, 1981

[30] Foreign Application Priority Data

Sep. 14, 1981 [CA] Canada 14-01-81-9

[51] Int. Cl. D21-01

[52] U.S. Cl. D21/34; D21/36

[58] Field of Search D21/14-37; 273/236-287

[56] References Cited

U.S. PATENT DOCUMENTS

- D. 124,024 12/1940 Godefroy D21/33
- D. 139,220 10/1944 Woodward et al. D21/20
- D. 217,168 4/1970 Tillmann D21/34

Primary Examiner—Melvin B. Feifer
Attorney, Agent, or Firm—Fetherstonhaugh & Co.

[57] CLAIM

The ornamental design for a game board, substantially as shown and described.

DESCRIPTION

FIG. 1 is a perspective view of the game board showing my new design.

FIG. 2 is a plan view of the game board.

FIG. 3 is a front elevation view of the game board.

FIG. 4 is a left side elevation view of the game board.

FIG. 5 is a right elevation view of the game board.

FIG. 6 is a rear elevation view of the game board.

FIG. 7 is a bottom view of the game board.

FIG. 8 is a perspective view of a variant of the game board.

FIG. 9 is a plan view of the variant.

FIG. 10 is a front elevation view of the variant.

FIG. 11 is a right side elevation view of the variant.

FIG. 12 is a left side elevation view of the variant.

FIG. 13 is a rear elevation view of the variant.

FIG. 14 is a bottom view of the variant.

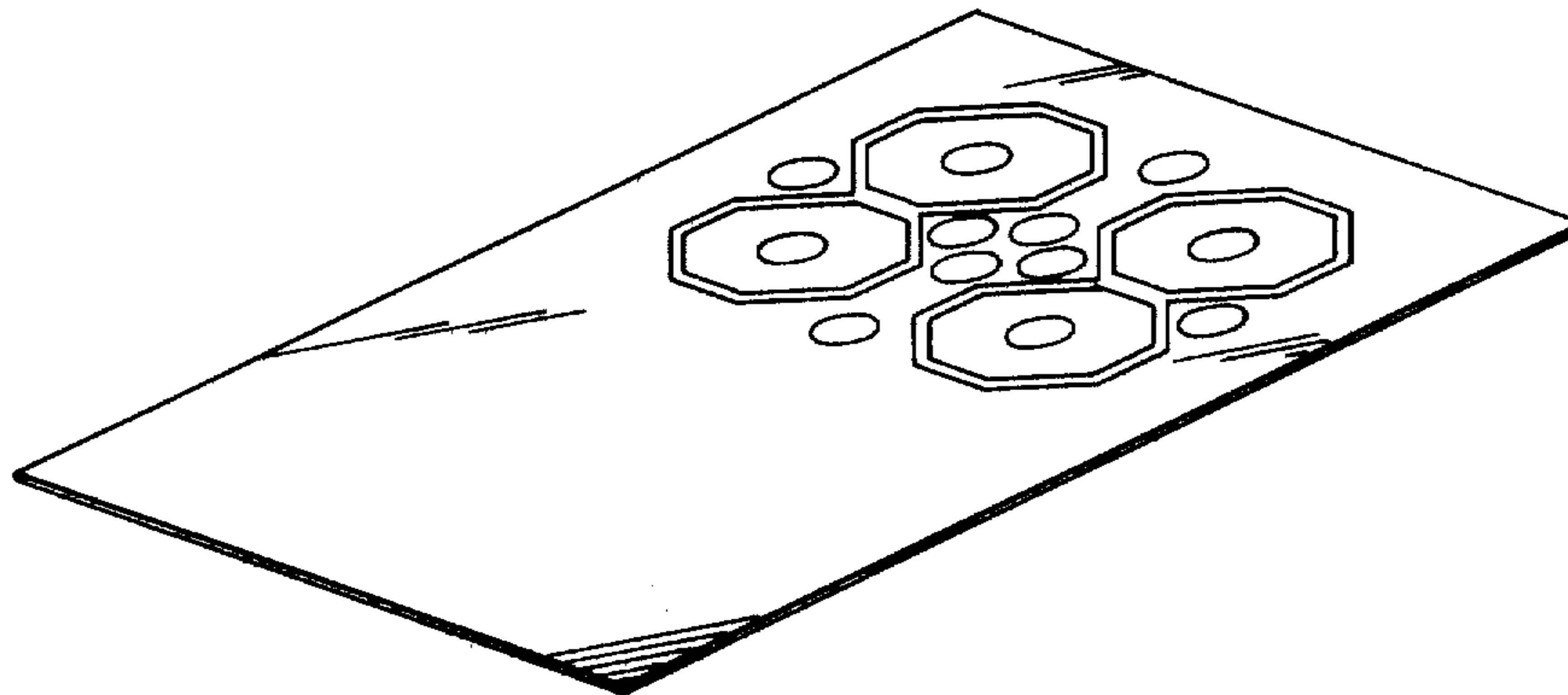


Fig. 1.

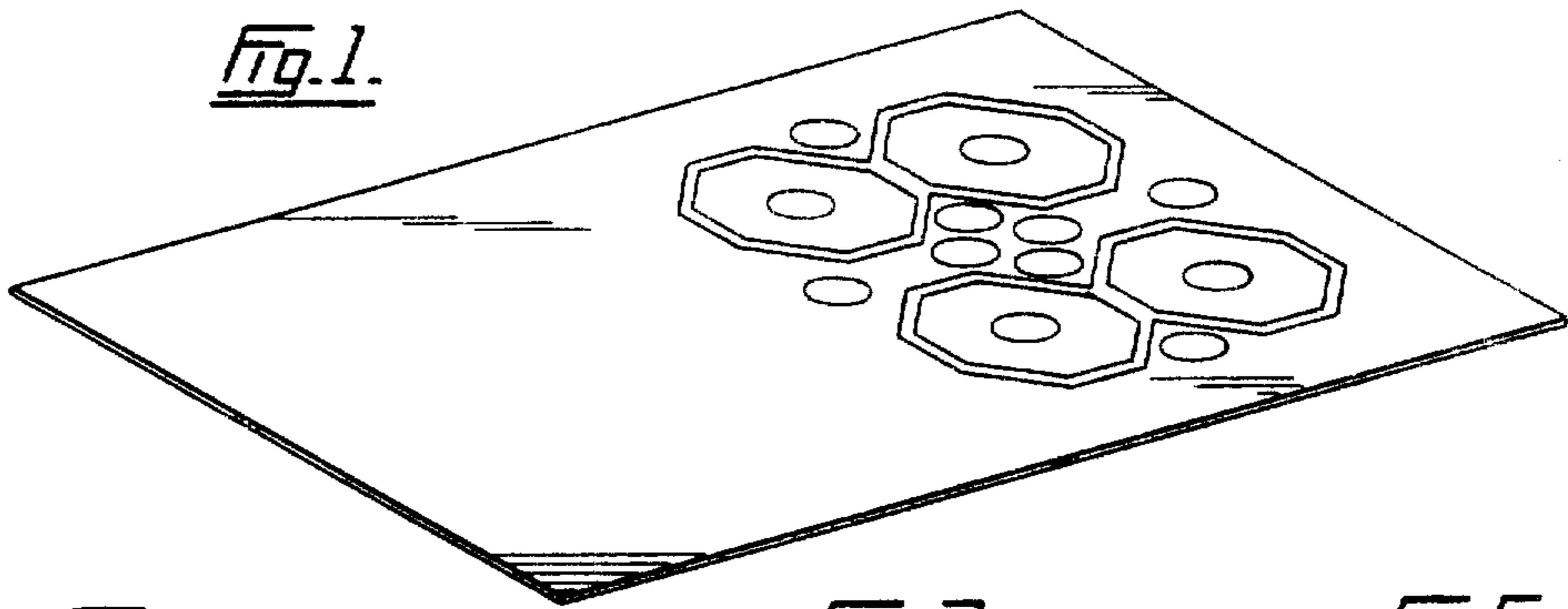


Fig. 4.



Fig. 2.

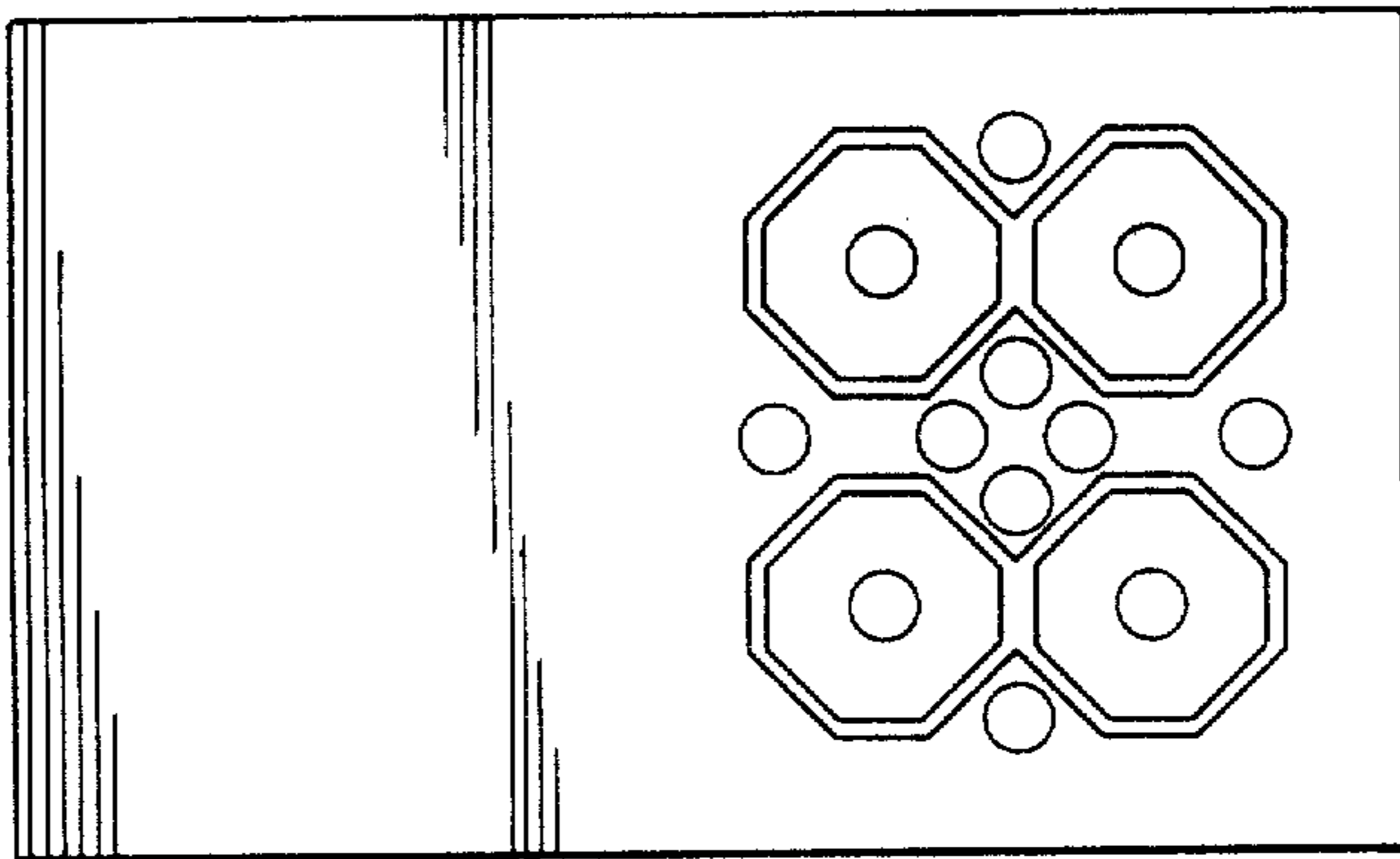


Fig. 5.



Fig. 3.

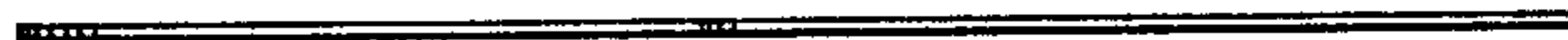
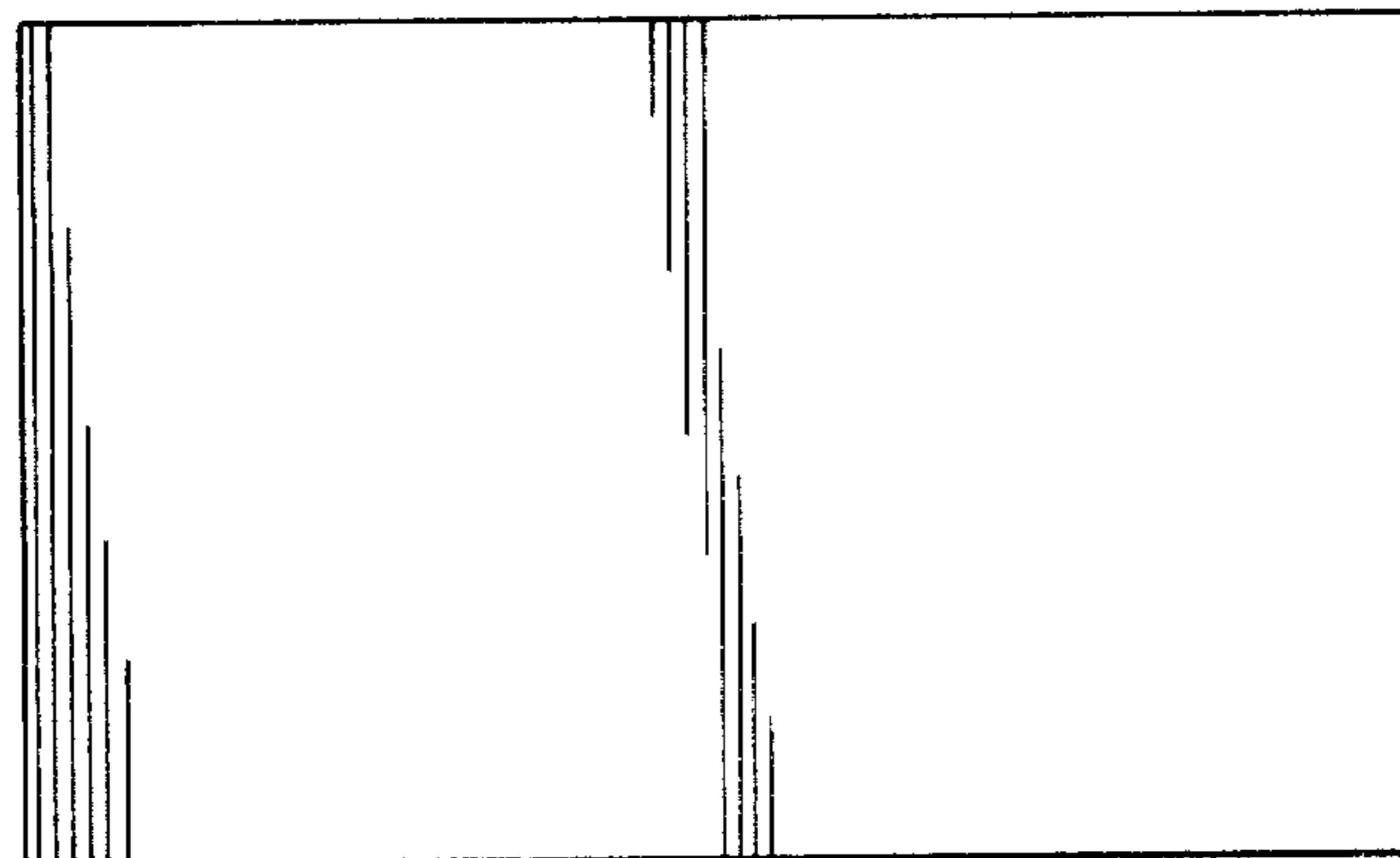


Fig. 6.



Fig. 7.



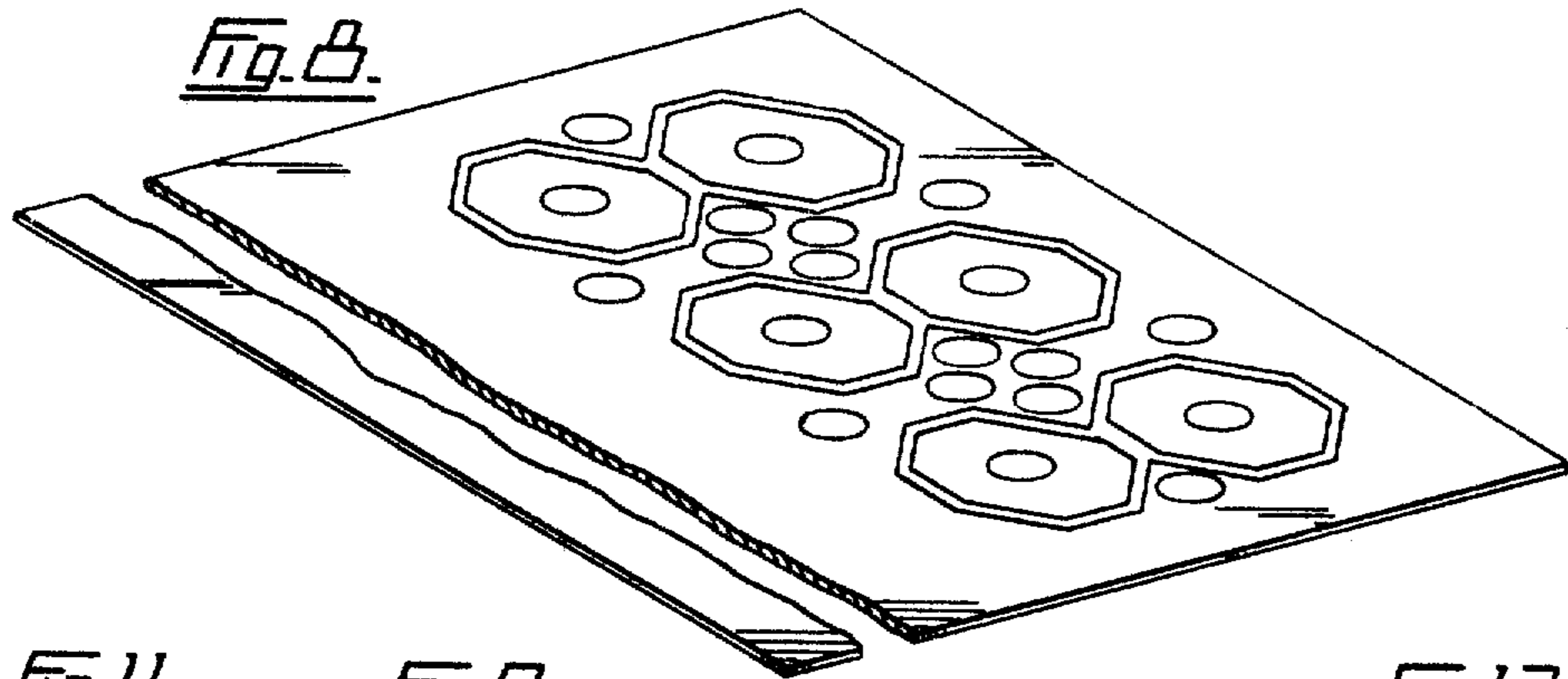


Fig. 11.

Fig. 9.

Fig. 12.

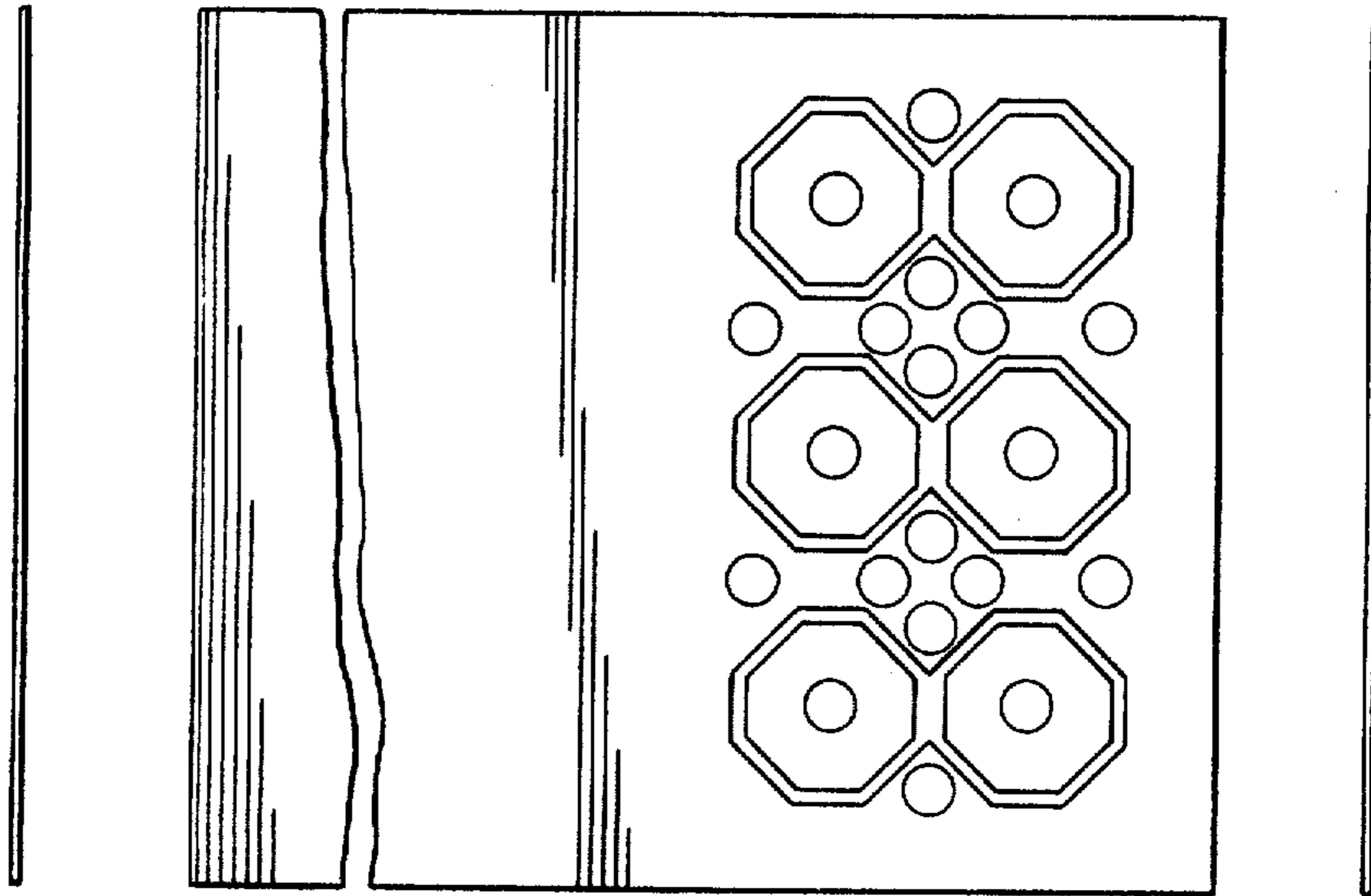


Fig. 10.

Fig. 13.

Fig. 14.

