

[54] BINOCULARS

[75] Inventor: Giorgetto Giugiaro, Turin, Italy

[73] Assignee: Nippon Kogaku K.K., Tokyo, Japan

[\*\*] Term: 14 Years

[21] Appl. No.: 208,783

[22] Filed: Nov. 20, 1980

[30] Foreign Application Priority Data

May 24, 1980 [JP] Japan ..... 55-20548

[51] Int. Cl. .... D16-06

[52] U.S. Cl. .... D16/133

[58] Field of Search ..... 350/75, 51, 36, 287;  
D16/133

[56] References Cited

U.S. PATENT DOCUMENTS

D. 231,858 6/1974 Huckenbeck ..... D16/133

D. 243,761	3/1977	Huckenbeck	.....	D16/133
D. 248,307	6/1978	Maguire	.....	D16/133
D. 255,364	6/1980	Lange	.....	D16/133
3,572,887	3/1971	Crevssen	.....	350/51
3,604,779	9/1970	Reinhold	.....	350/75

Primary Examiner—Bernard Ansher  
Attorney, Agent, or Firm—Shapiro & Shapiro

[57] CLAIM

The ornamental design for binoculars, as shown and described.

DESCRIPTION

FIG. 1 is a front view thereof of the binoculars;  
FIG. 2 is a rear view thereof;  
FIG. 3 is a top plan view thereof;  
FIG. 4 is a bottom plan view thereof;  
FIG. 5 is a side elevational view as seen from the left of FIG. 1;  
FIG. 6 is a side elevational view as seen from the right of FIG. 1;  
FIG. 7 is a front perspective view of the binoculars.

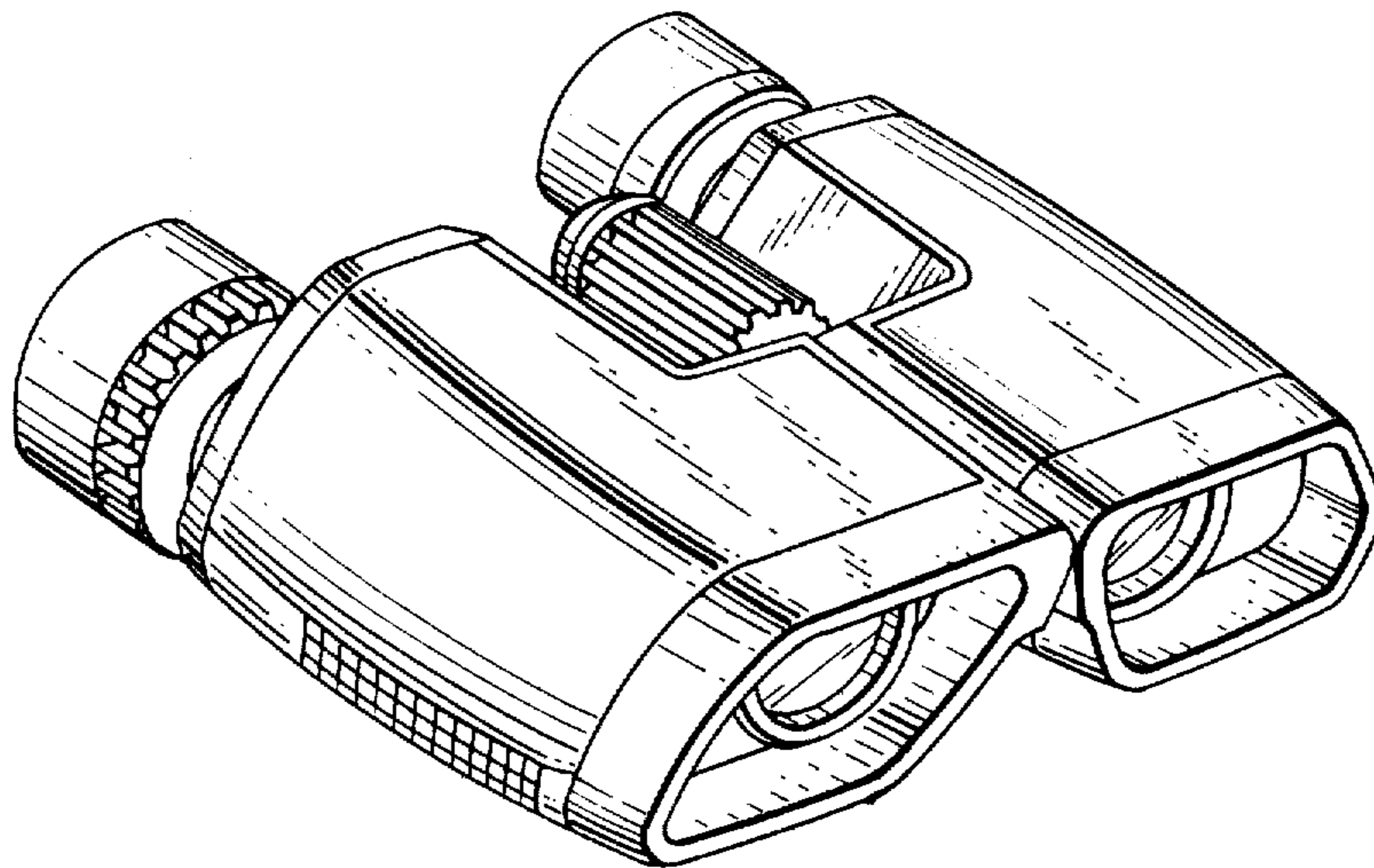


FIG. 1

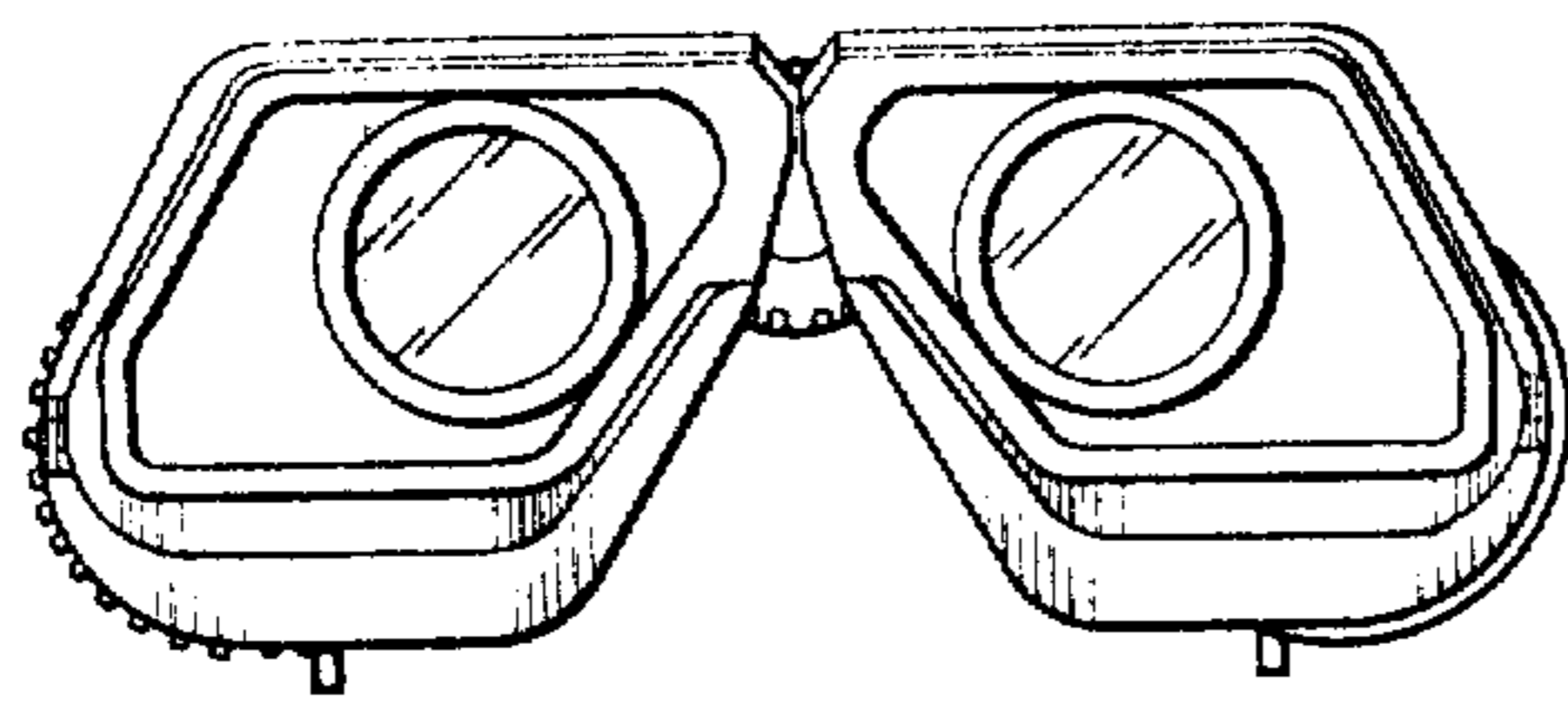


FIG. 2

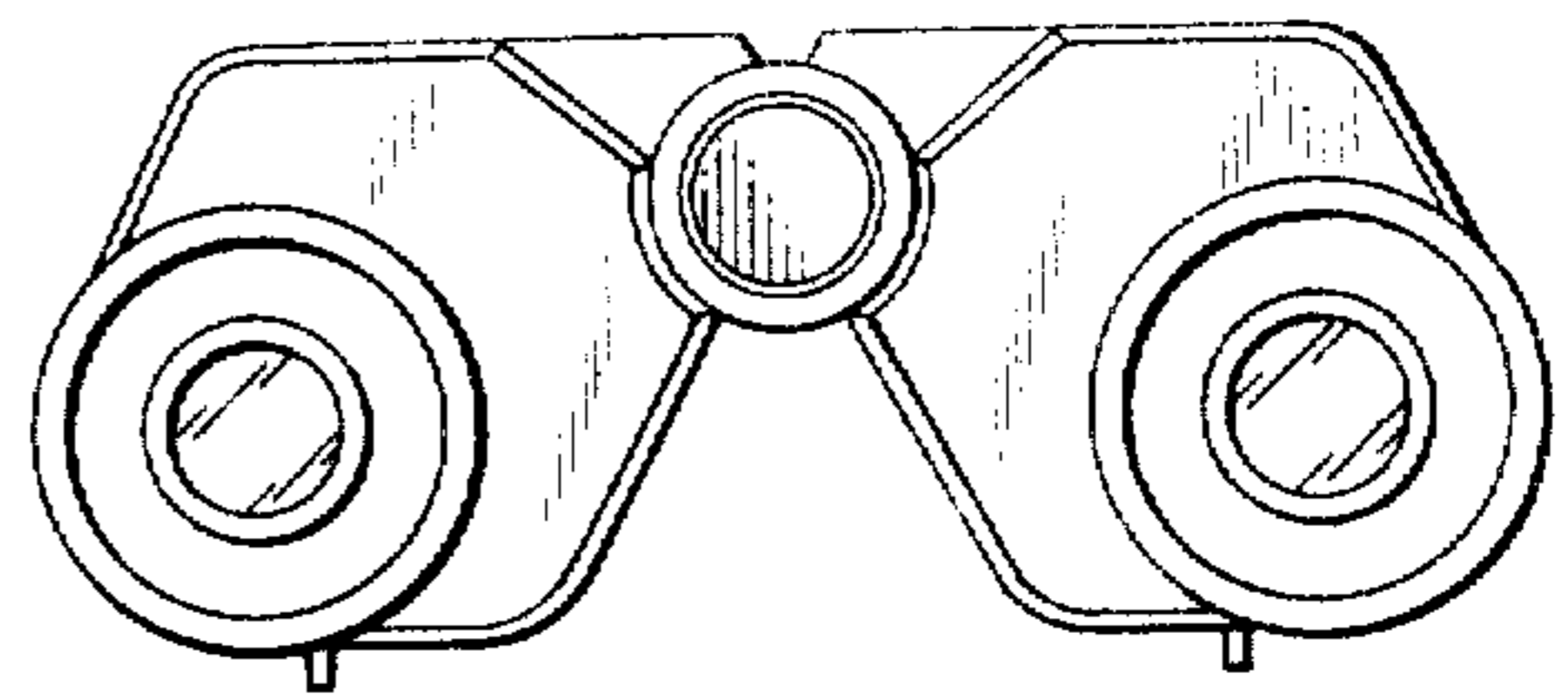


FIG. 3

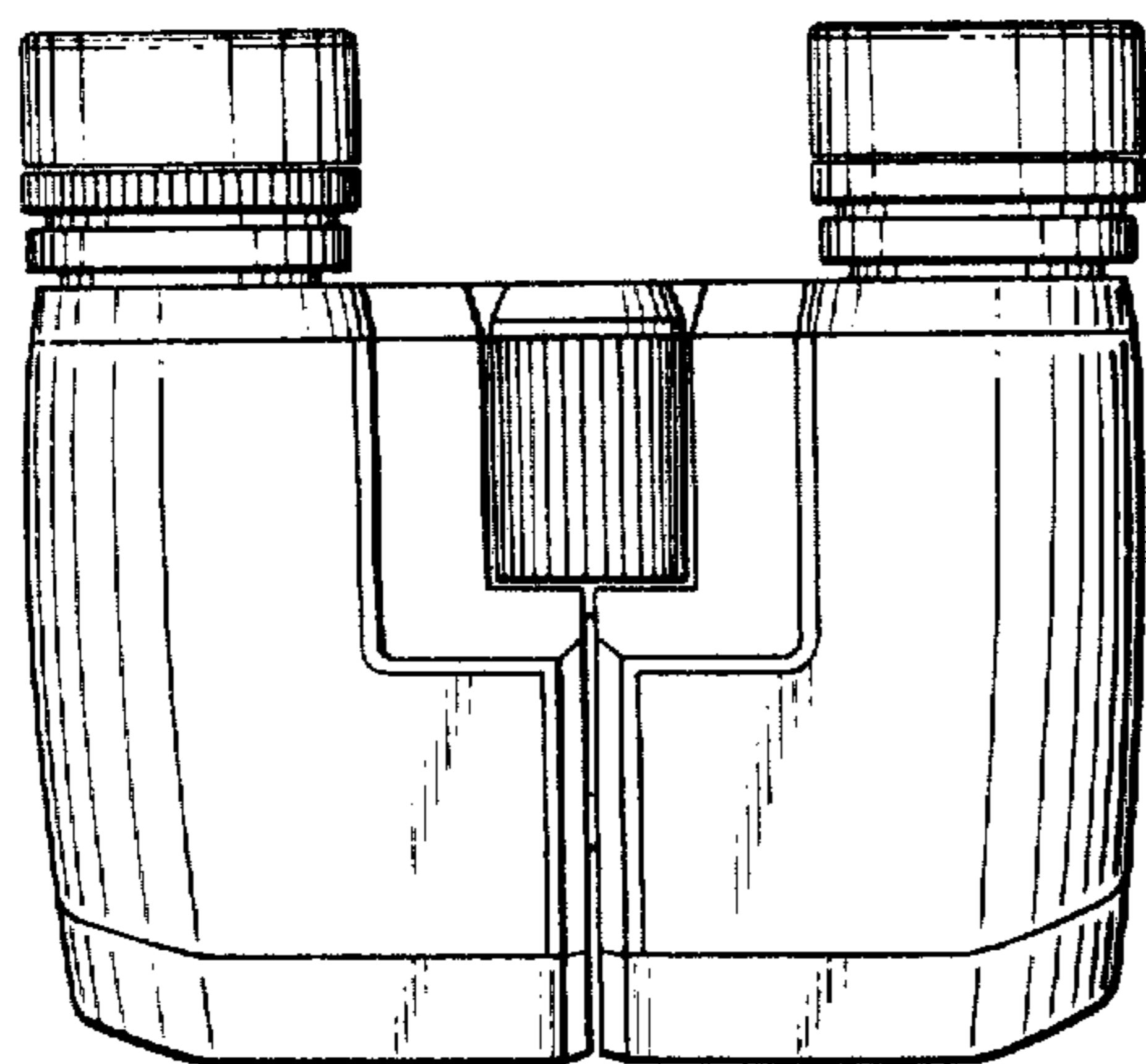


FIG. 4

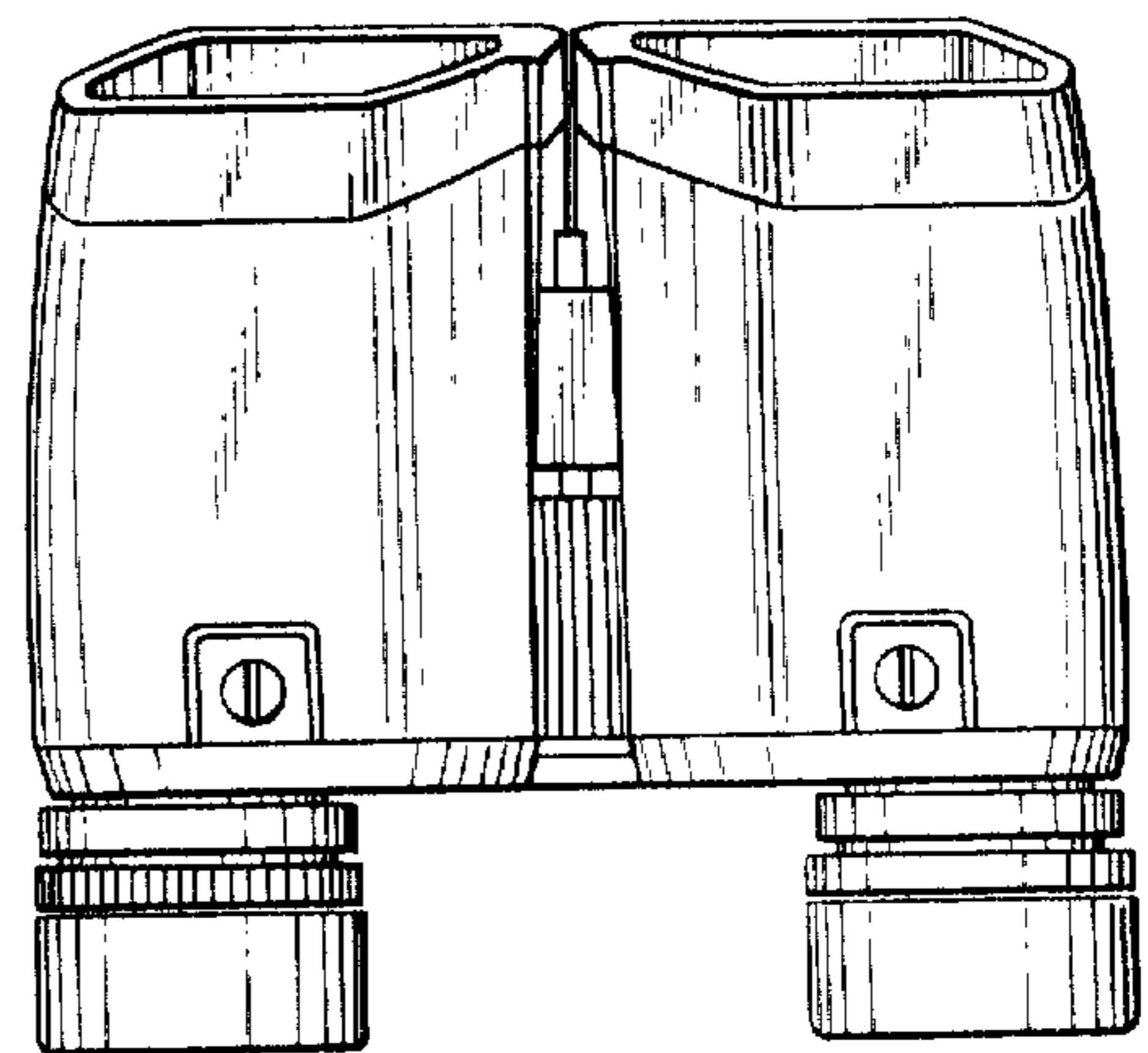


FIG. 5

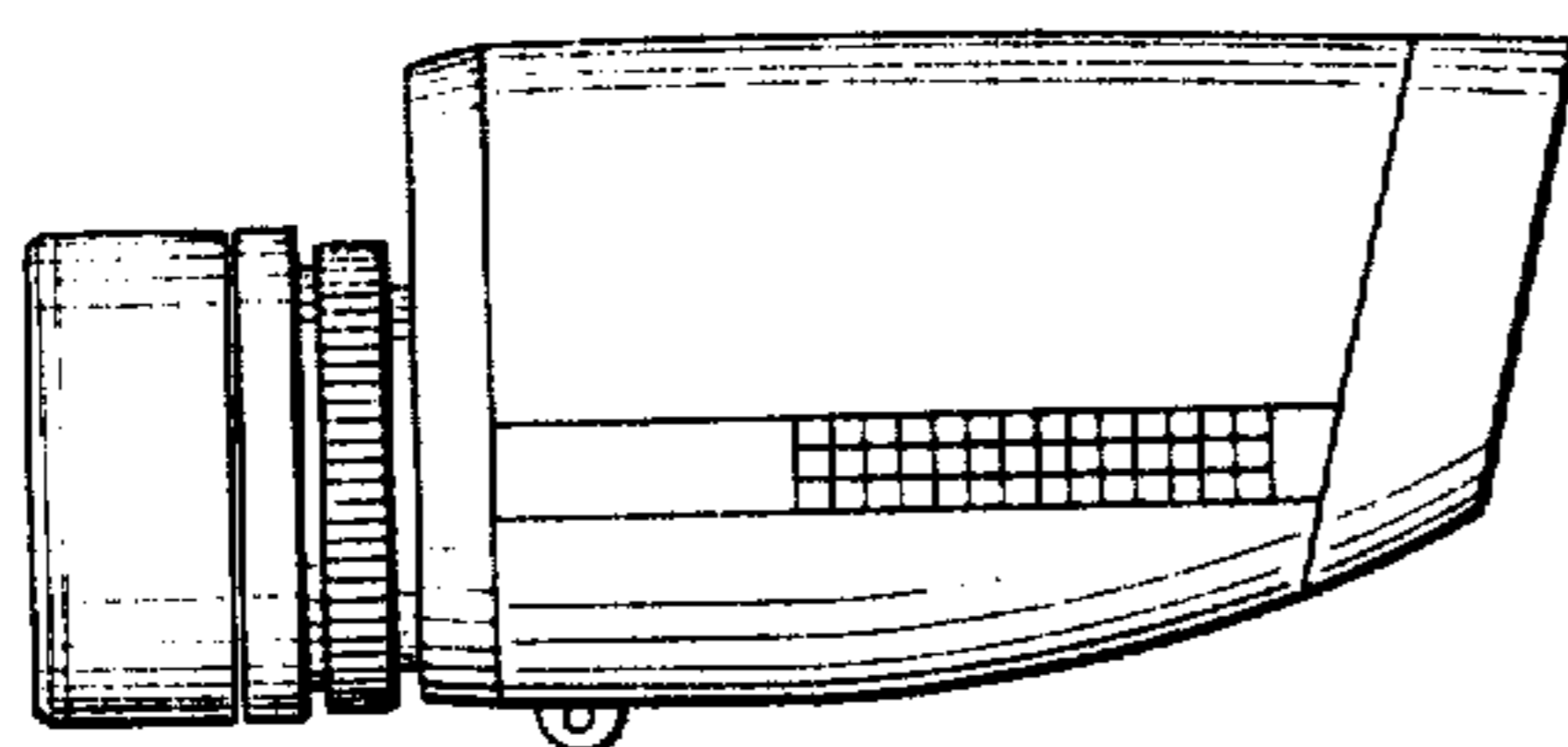


FIG. 6

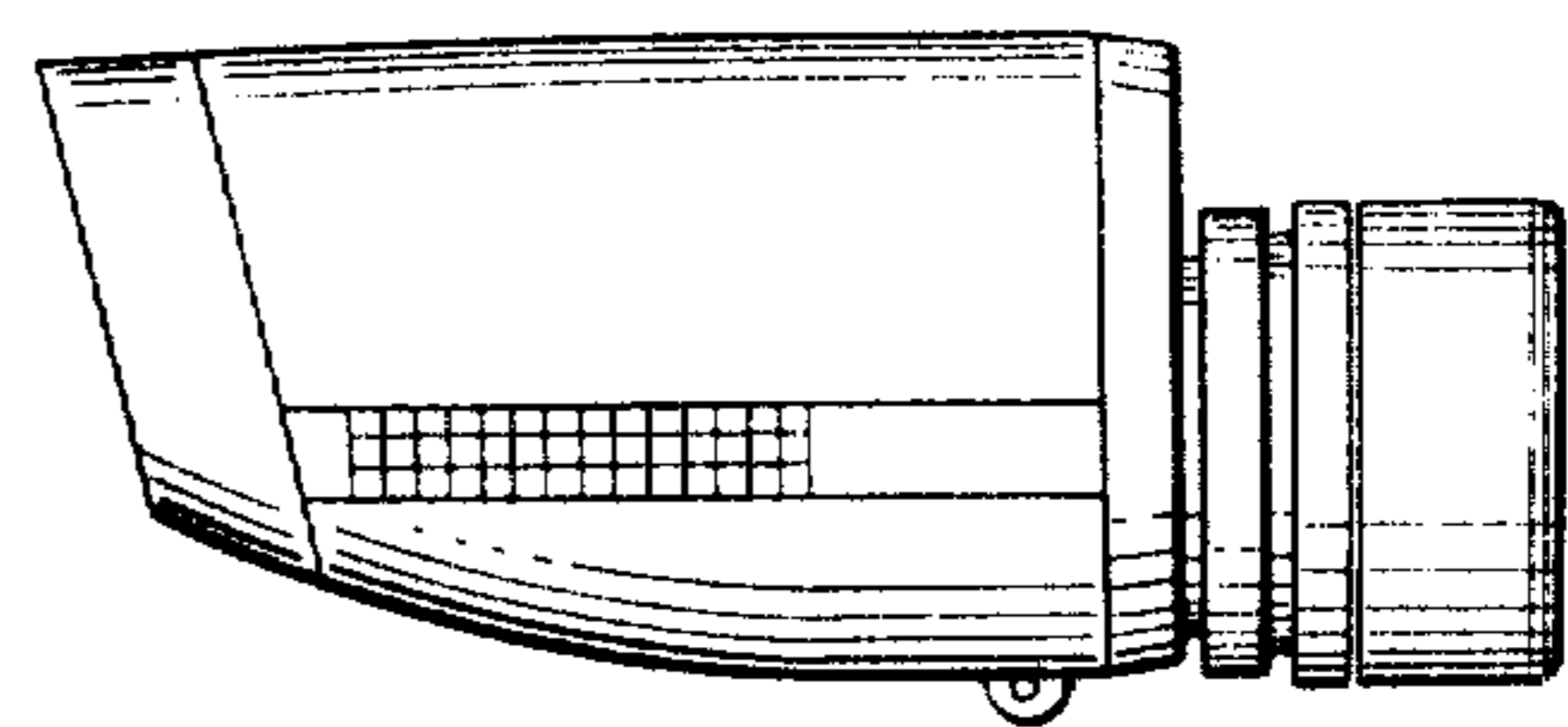


FIG. 7

