

[54] EXPOSURE UNIT FOR LITHOGRAPHIC PLATES

[75] Inventor: Gerold Litschi, Lansdale, Pa.

[73] Assignee: Master Etching Machine Company, Ambler, Pa.

[**] Term: 14 Years

[21] Appl. No.: 302,204

[22] Filed: Sep. 14, 1981

[51] Int. Cl. D16-04

[52] U.S. Cl. D16/33

[58] Field of Search D16/27, 33, 34, 35, D16/37, 36; 355/84; 354/319

[56] References Cited

U.S. PATENT DOCUMENTS

D. 237,904 12/1975 Montefusco D16/33

T903,018	10/1972	Dexter	355/84
2,578,048	12/1951	Dalton	D16/25 X
3,254,586	6/1966	Haus	355/84
3,851,969	12/1974	Haus	355/84
4,182,569	1/1980	Smith	355/84

Primary Examiner—Nelson C. Holtje
Attorney, Agent, or Firm—Richard D. Weber

[57] CLAIM

An ornamental design for an exposure unit for lithographic plates, substantially as shown and described.

DESCRIPTION

FIG. 1 is a front elevational view of an exposure unit for lithographic plates showing my new design, the rear being a mirror image but with the controls omitted; FIG. 2 is a top plan view thereof; FIG. 3 is right side elevational view thereof, the left side being a mirror image but with the electrical cord omitted; FIG. 4 is a bottom plan view thereof.

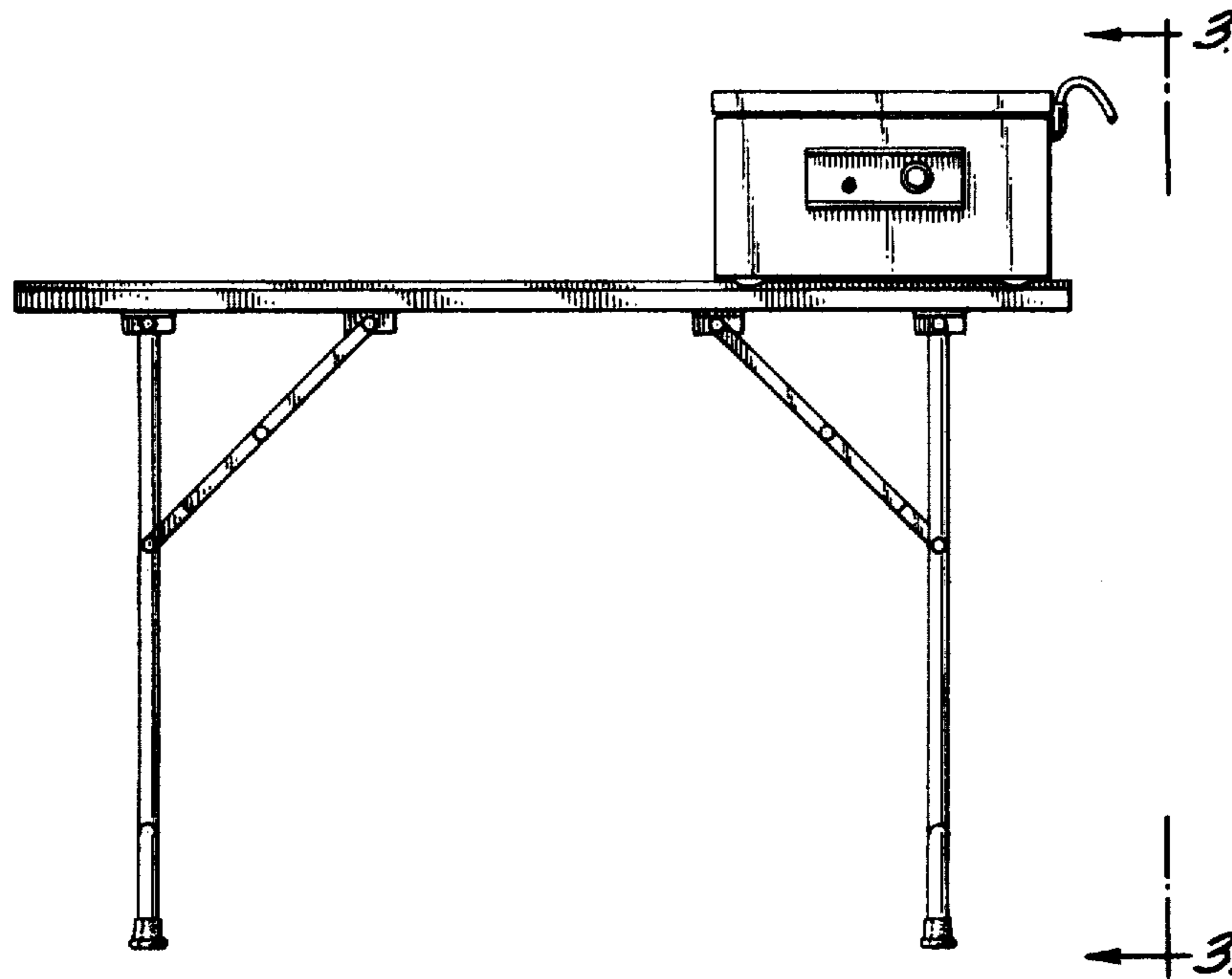


Fig. 2.

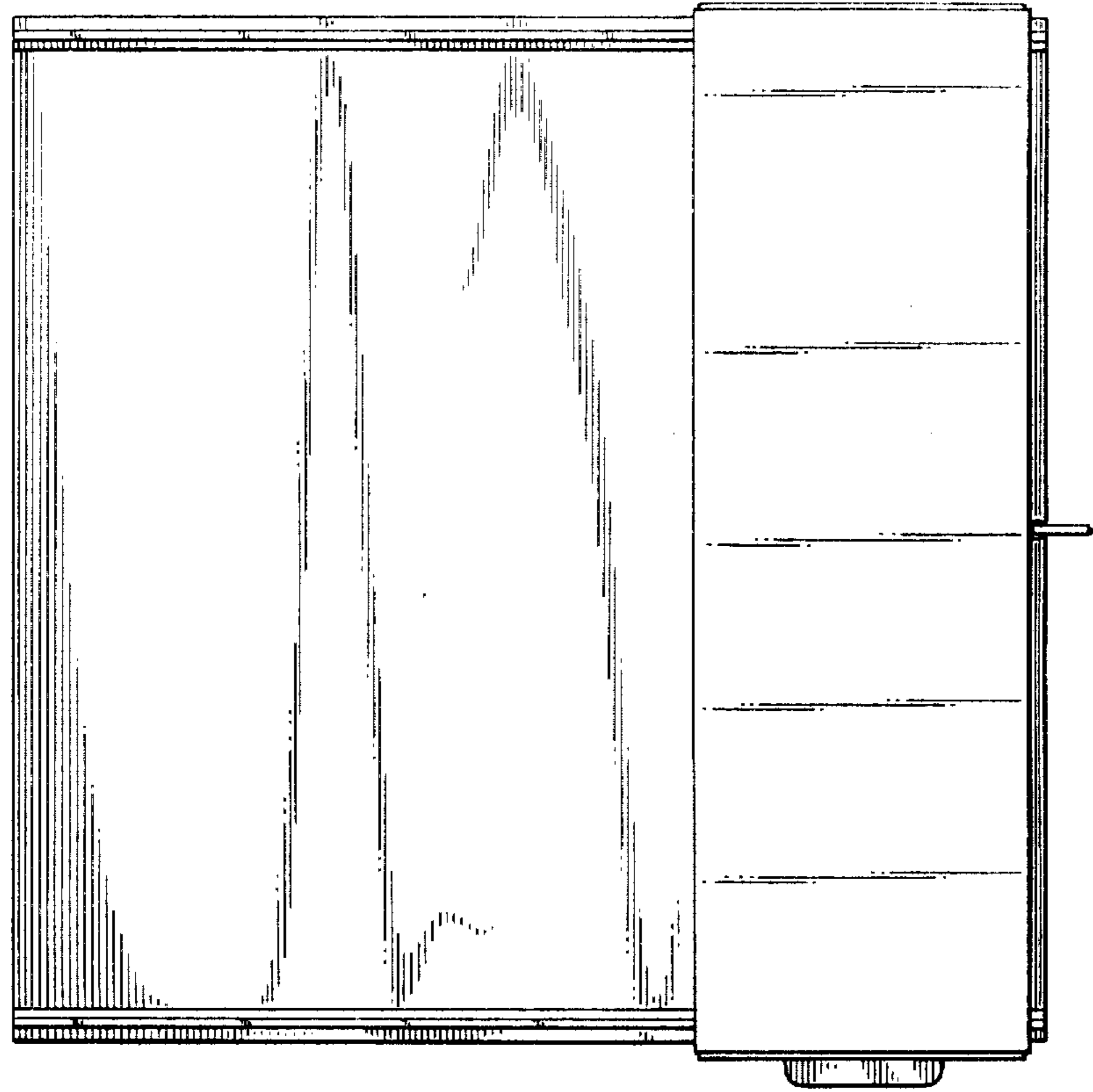


Fig. 1.

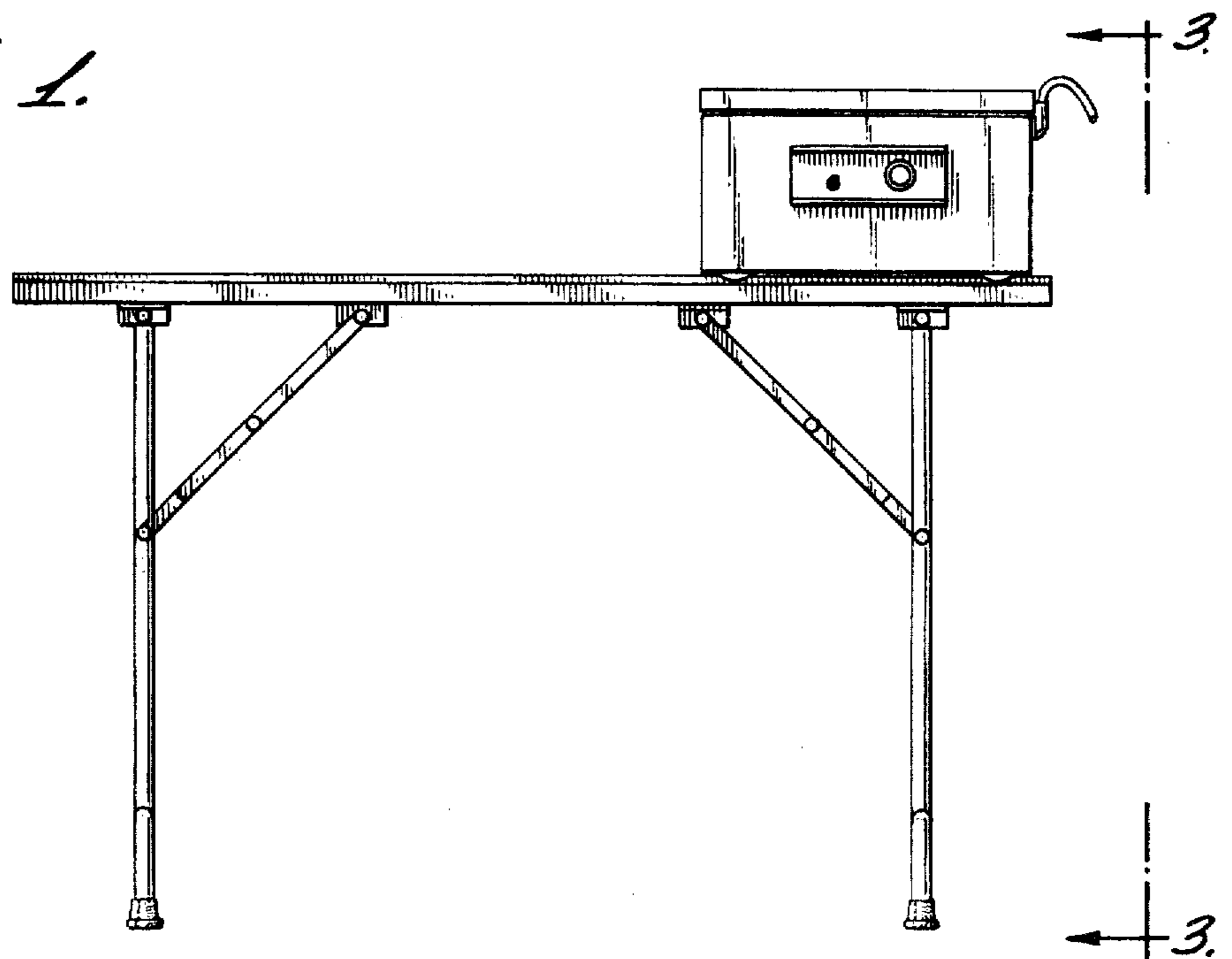


Fig. 3.

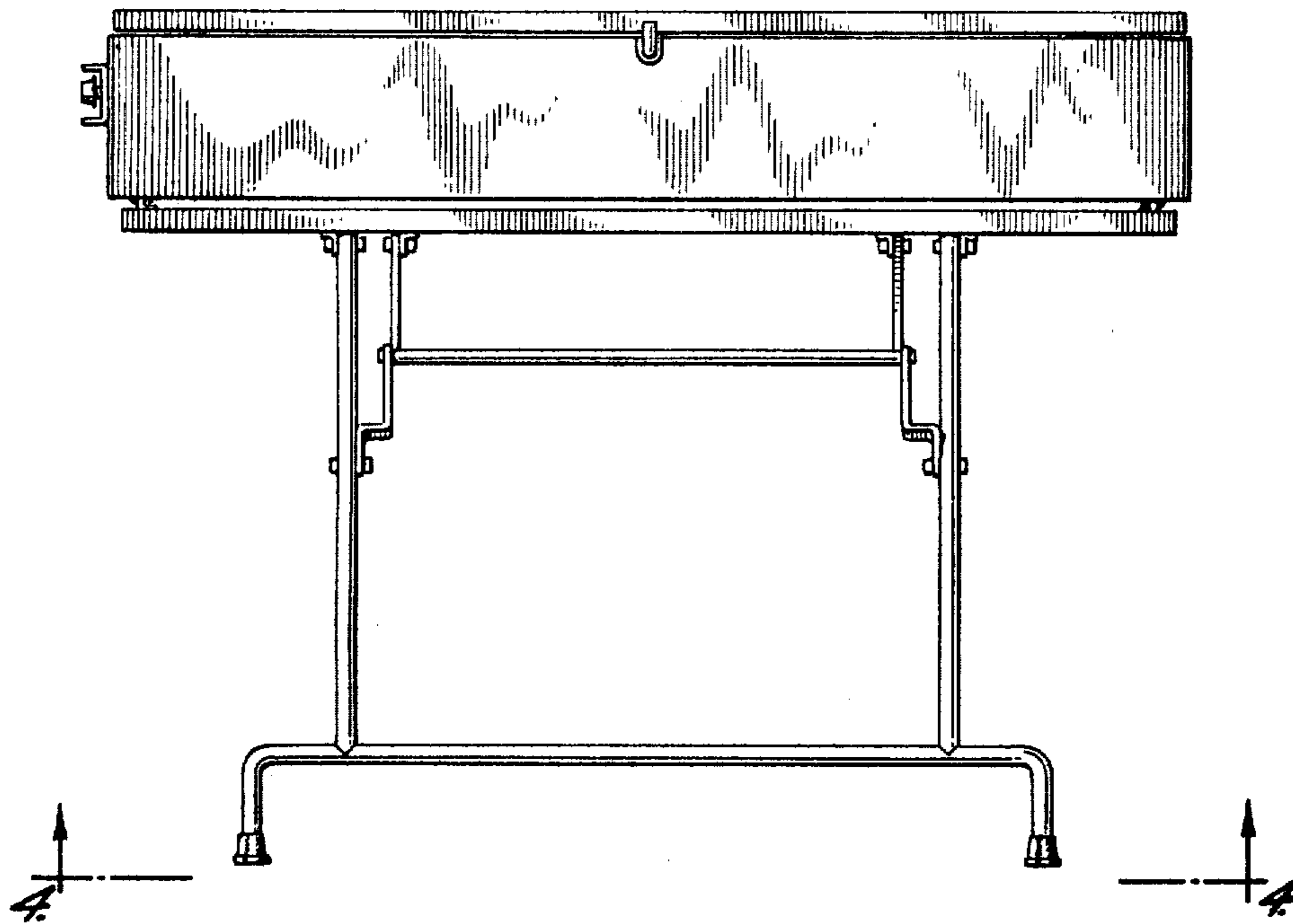


Fig. 4.

