

[54] HOUSING FOR PNEUMATIC SEPARATOR

[76] Inventor: David R. Neilson, 809 Second St., Woodland, Calif. 95695

[**] Term: 14 Years

[21] Appl. No.: 931,820

[22] Filed: Aug. 7, 1978

[51] Int. Cl. D15-09

[52] U.S. Cl. D15/147

[58] Field of Search D15/147; 209/133, 136, 209/137, 138, 139 R, 147

[56] References Cited

U.S. PATENT DOCUMENTS

2,702,630	2/1955	Scott	209/133
3,265,210	8/1966	Harte et al.	209/136
3,480,142	11/1969	Bonnet	209/133
3,972,808	8/1976	Manley	209/133

Primary Examiner—Sam Rosen
Attorney, Agent, or Firm—Thomas R. Foster

[57] CLAIM

The ornamental design for a pneumatic separator, as shown and described.

DESCRIPTION

FIG. 1 is a front elevational view of a pneumatic separator, with the conveyor belt shown in phantom showing my new design;

FIG. 2 is a rear elevational view thereof;

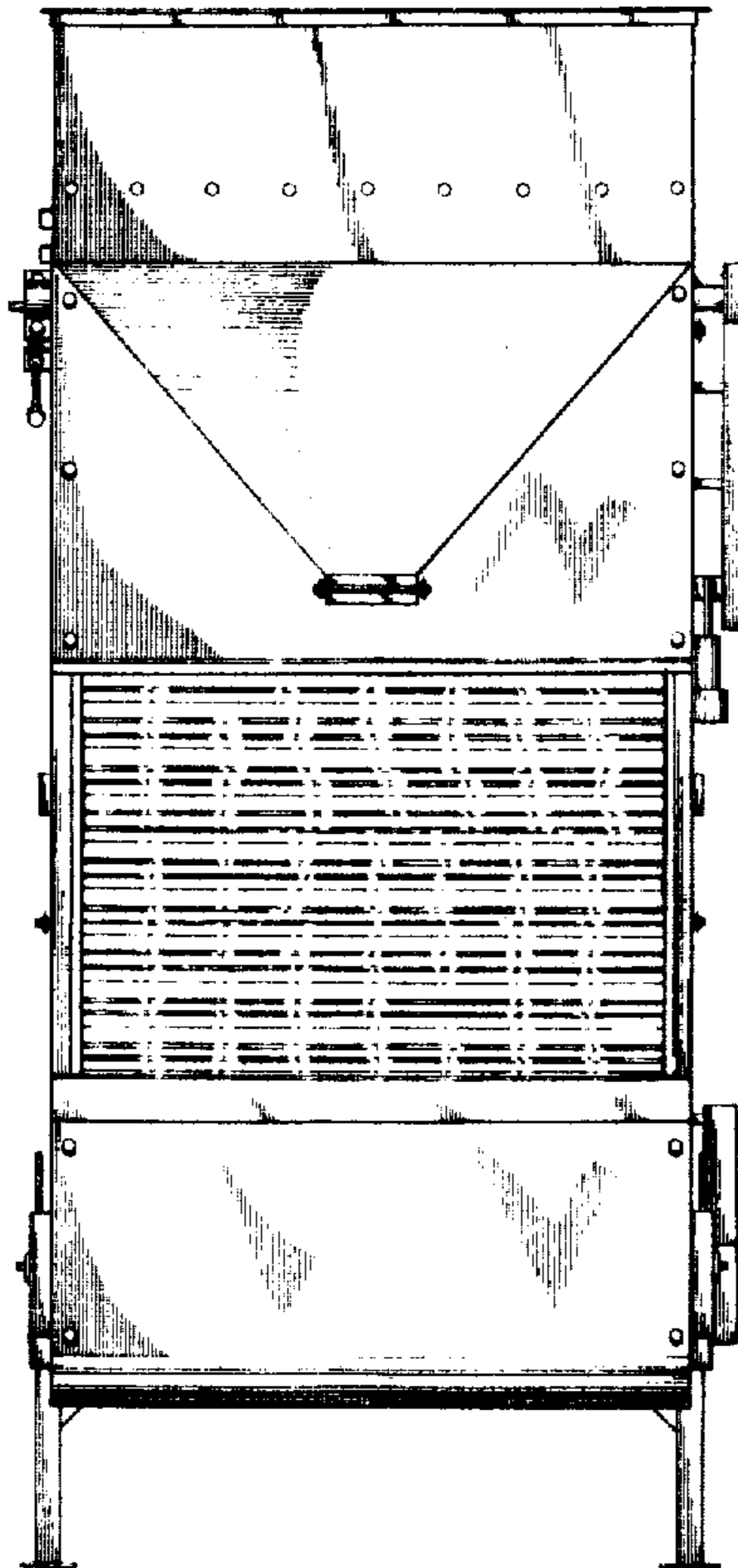
FIG. 3 is an elevational view of the right-hand side of FIG. 1;

FIG. 4 is an elevational view of the left-hand side of FIG. 1;

FIG. 5 is a top plan view thereof;

FIG. 6 is a front perspective view thereof to a somewhat reduced scale with the conveyor belt shown in phantom; and,

FIG. 7 is a rear perspective view thereof to a slightly reduced scale.



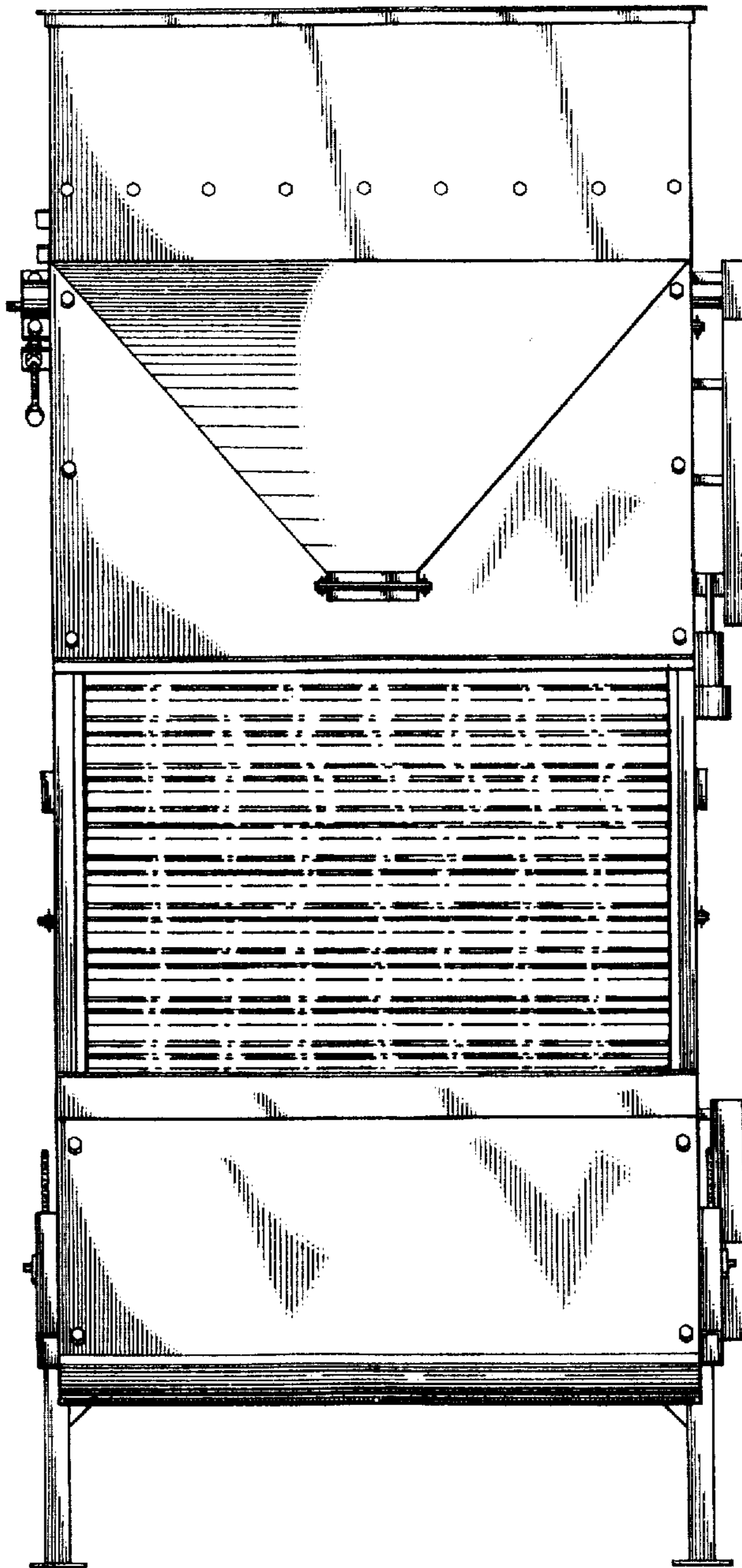


FIG-1

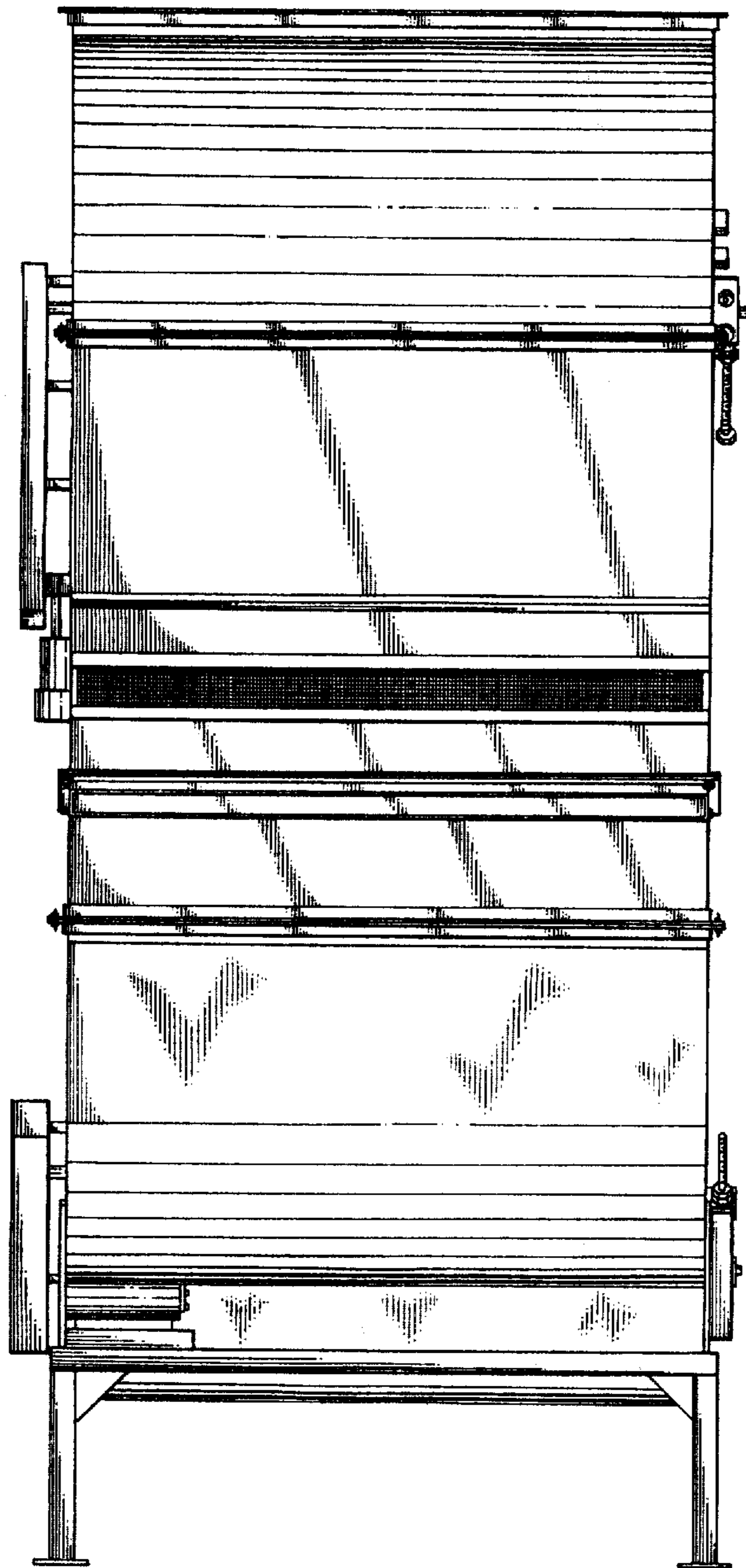


FIG-2

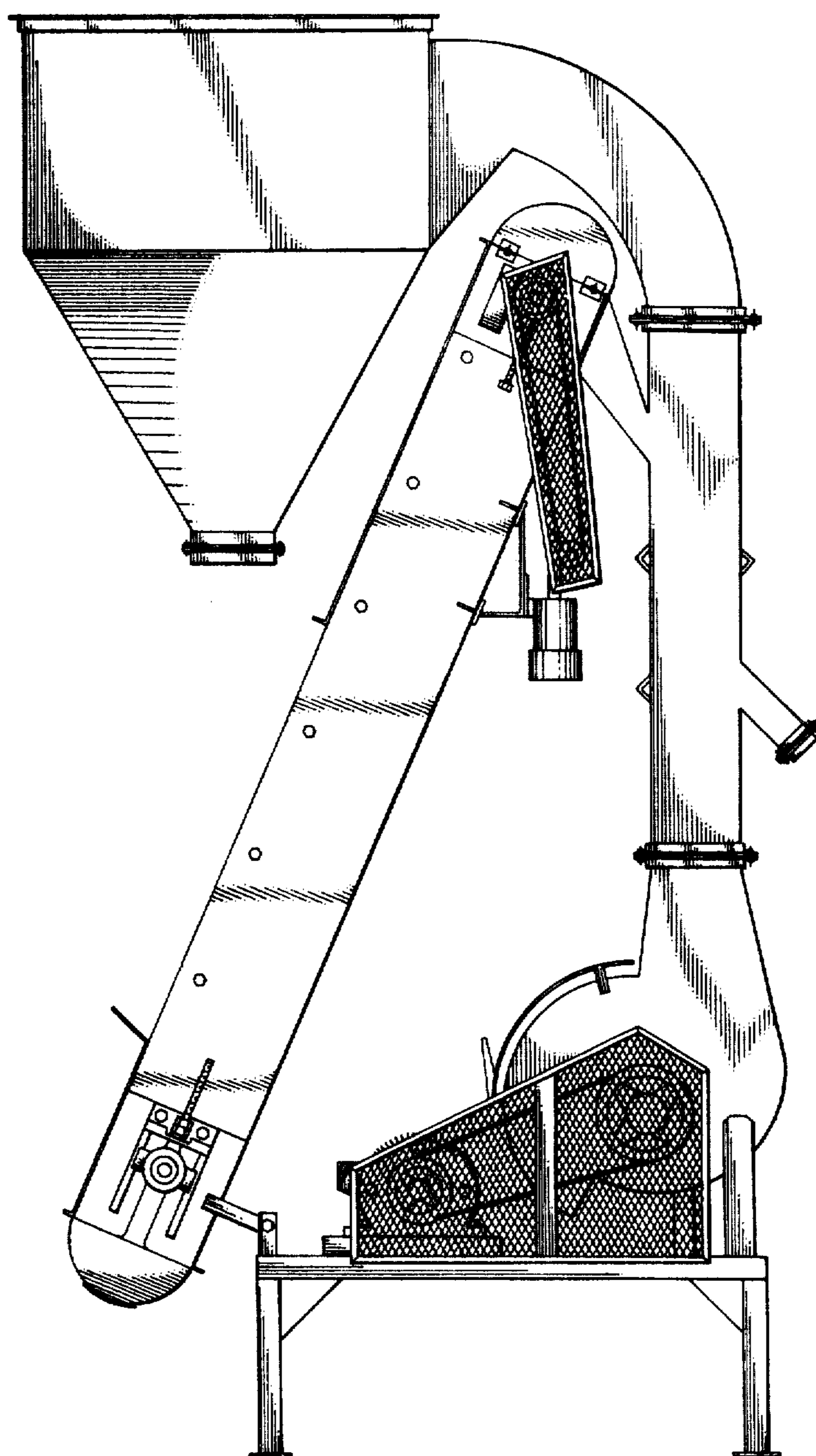


FIG-3

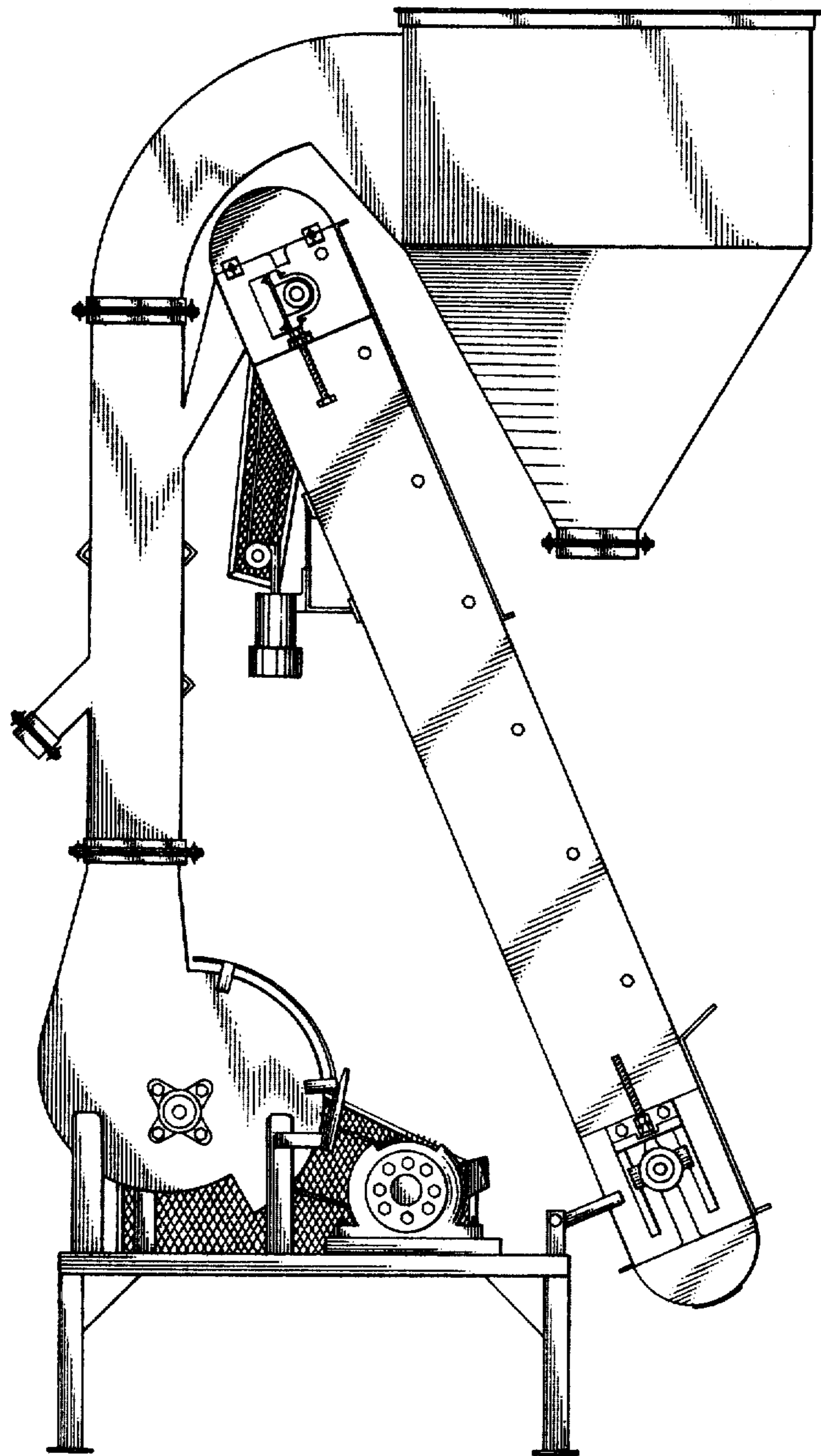


FIG-4

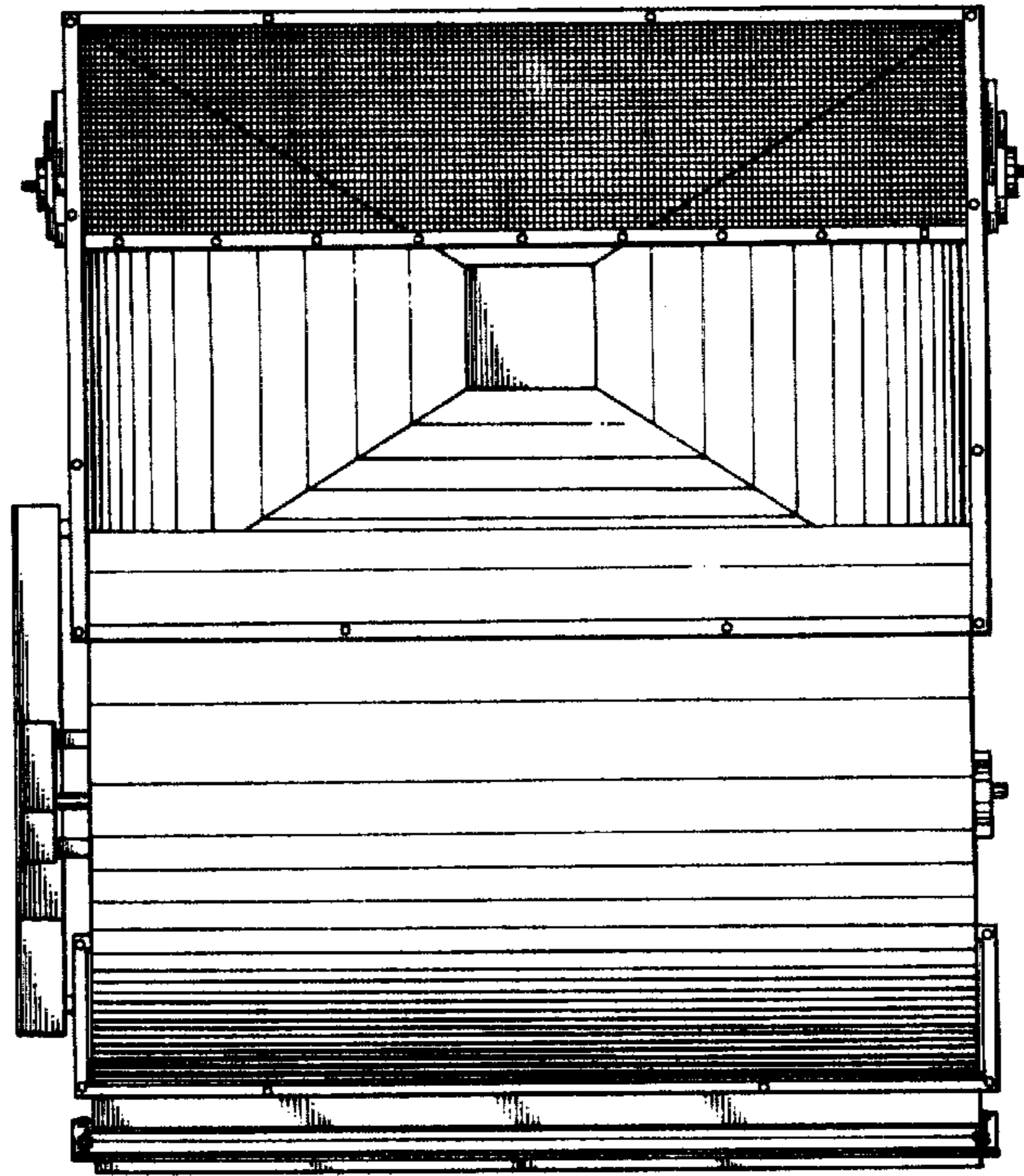


FIG-5

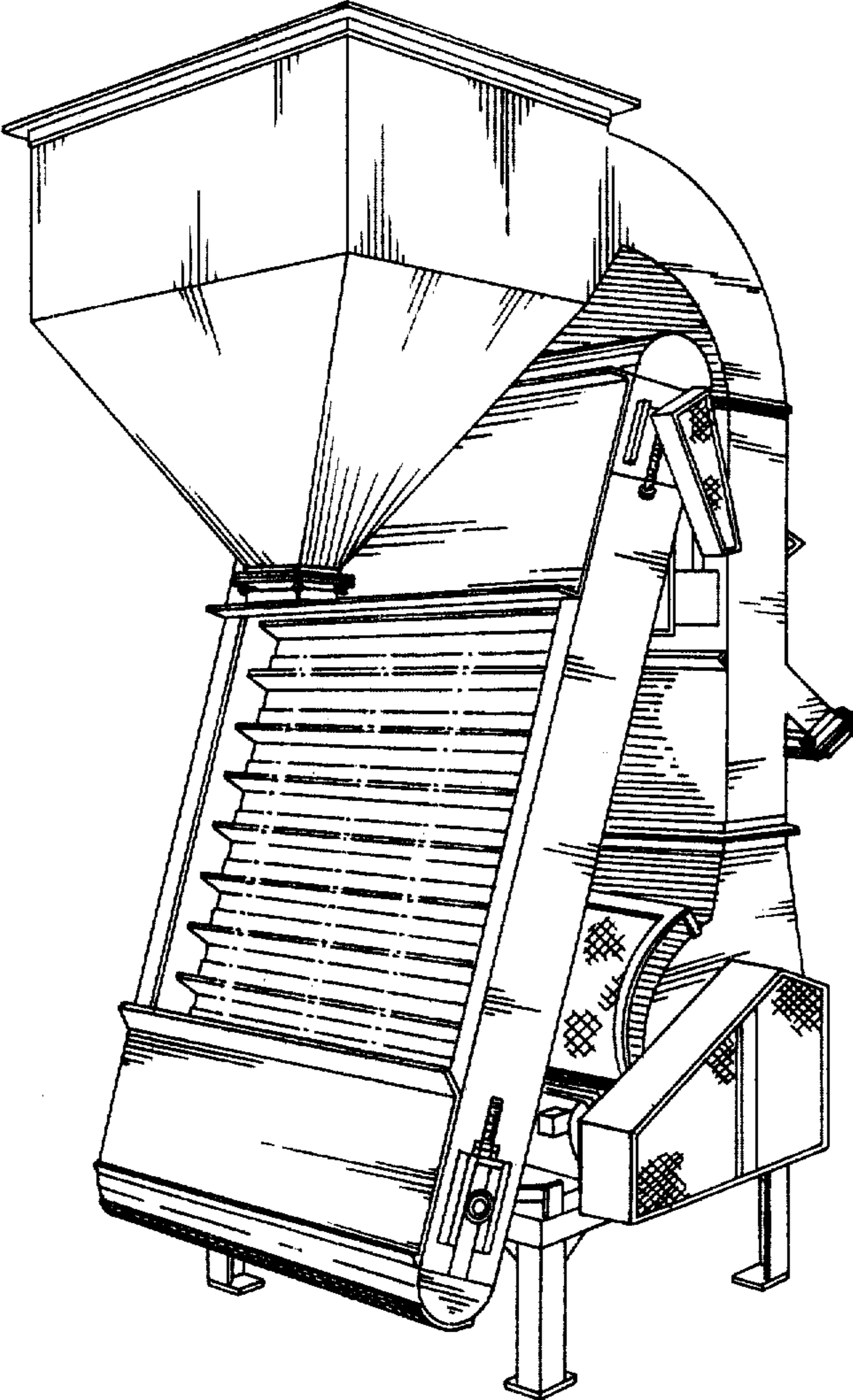


Fig - 6

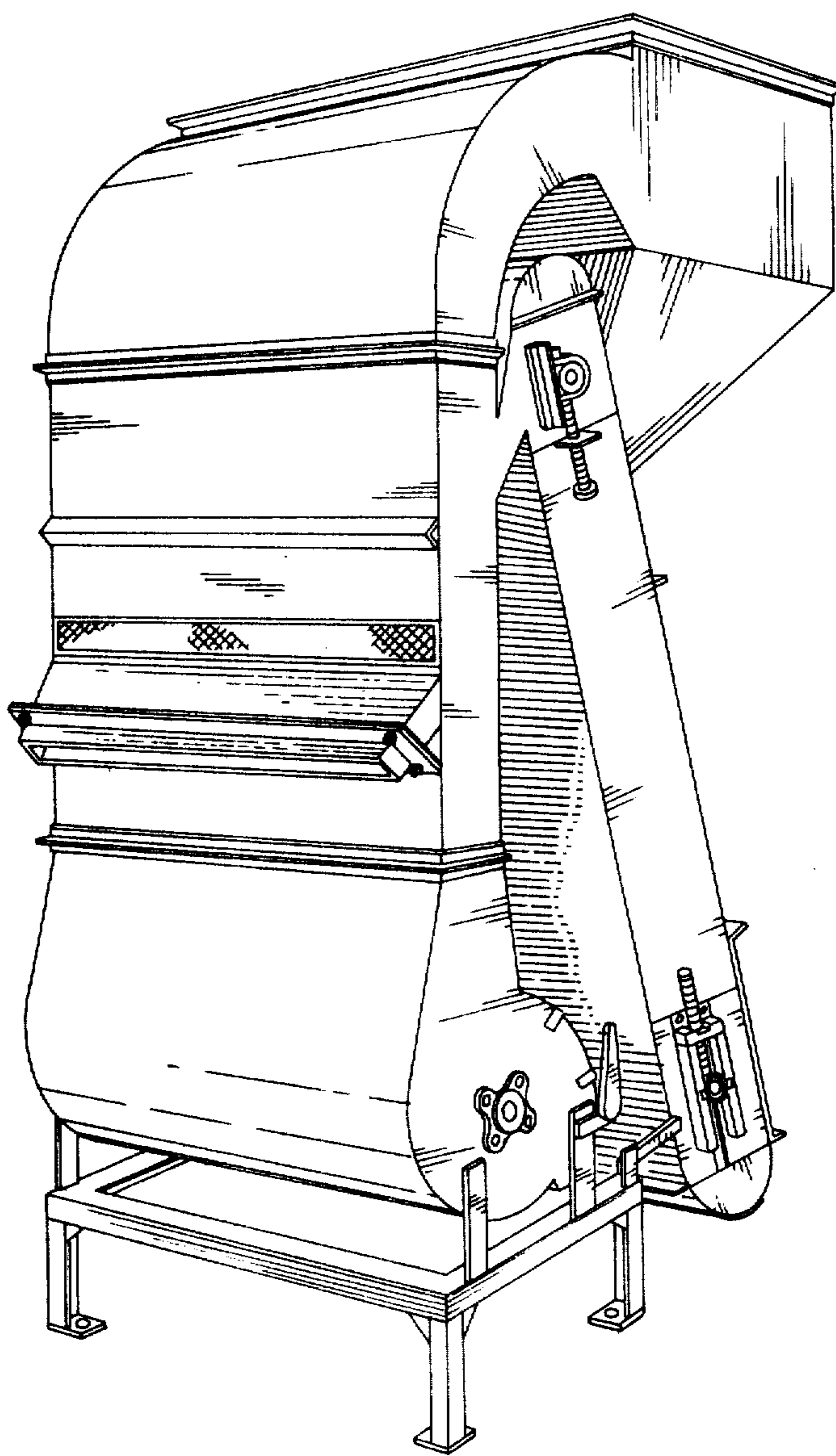


FIG 7