

[54] CONNECTOR FOR MOLDS USED IN THE MANUFACTURE OF CONCRETE CEILINGS

4,017,051 4/1977 Scott et al. D15/136
4,025,021 5/1977 Stout 249/28

[76] Inventor: Moshe Farhi, 4a Givat Downs St., Haifa, Israel

Primary Examiner—B. J. Bullock
Attorney, Agent, or Firm—John S. Roberts, Jr.

[**] Term: 14 Years

[57] CLAIM

[21] Appl. No.: 175,416

The ornamental design for a connector for molds used in the manufacture of concrete ceilings, as shown.

[22] Filed: Aug. 5, 1980

DESCRIPTION

[30] Foreign Application Priority Data

Feb. 28, 1980 [IL] Israel 8068

FIG. 1 is a perspective view of a connector for molds used in the manufacture of concrete ceilings showing my new design, the bottom being flat and unornamented;

[51] Int. Cl. D15-09

[52] U.S. Cl. D15/138; D15/136

FIG. 2 is a front view thereof the rear being substantially identical;

[58] Field of Search D15/136, 138, 135; D8/382; 403/292; 249/23, 28, 30, 32; D25/80

FIG. 3 is a sectional view taken in the direction of the arrows on line 3-3 of FIG. 2;

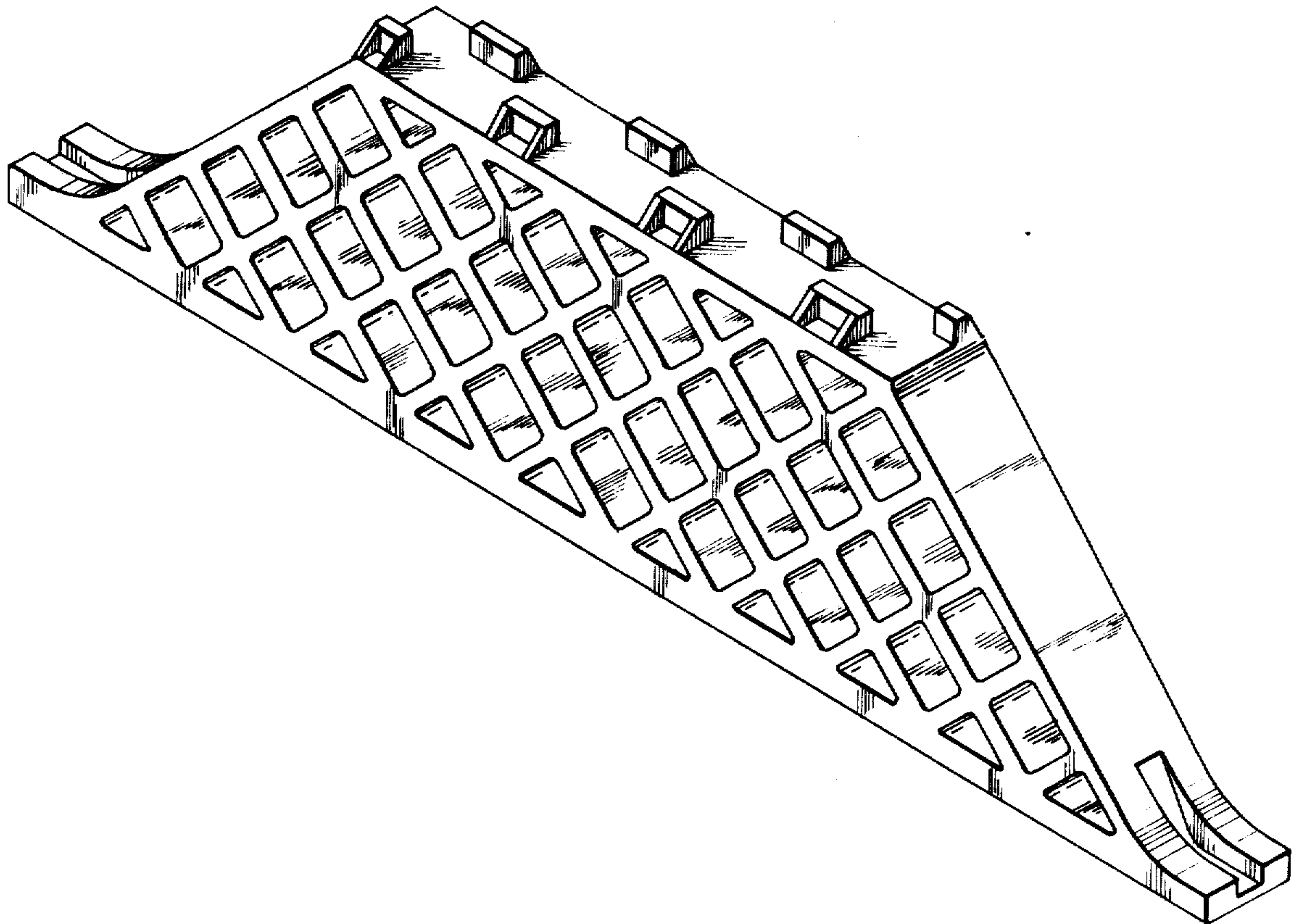
[56] References Cited

U.S. PATENT DOCUMENTS

1,888,181 11/1932 Riesbol 249/23

FIG. 4 is an end view thereof;

FIG. 5 is a sectional view taken in the direction of the arrows on line 5-5 of FIG. 2.



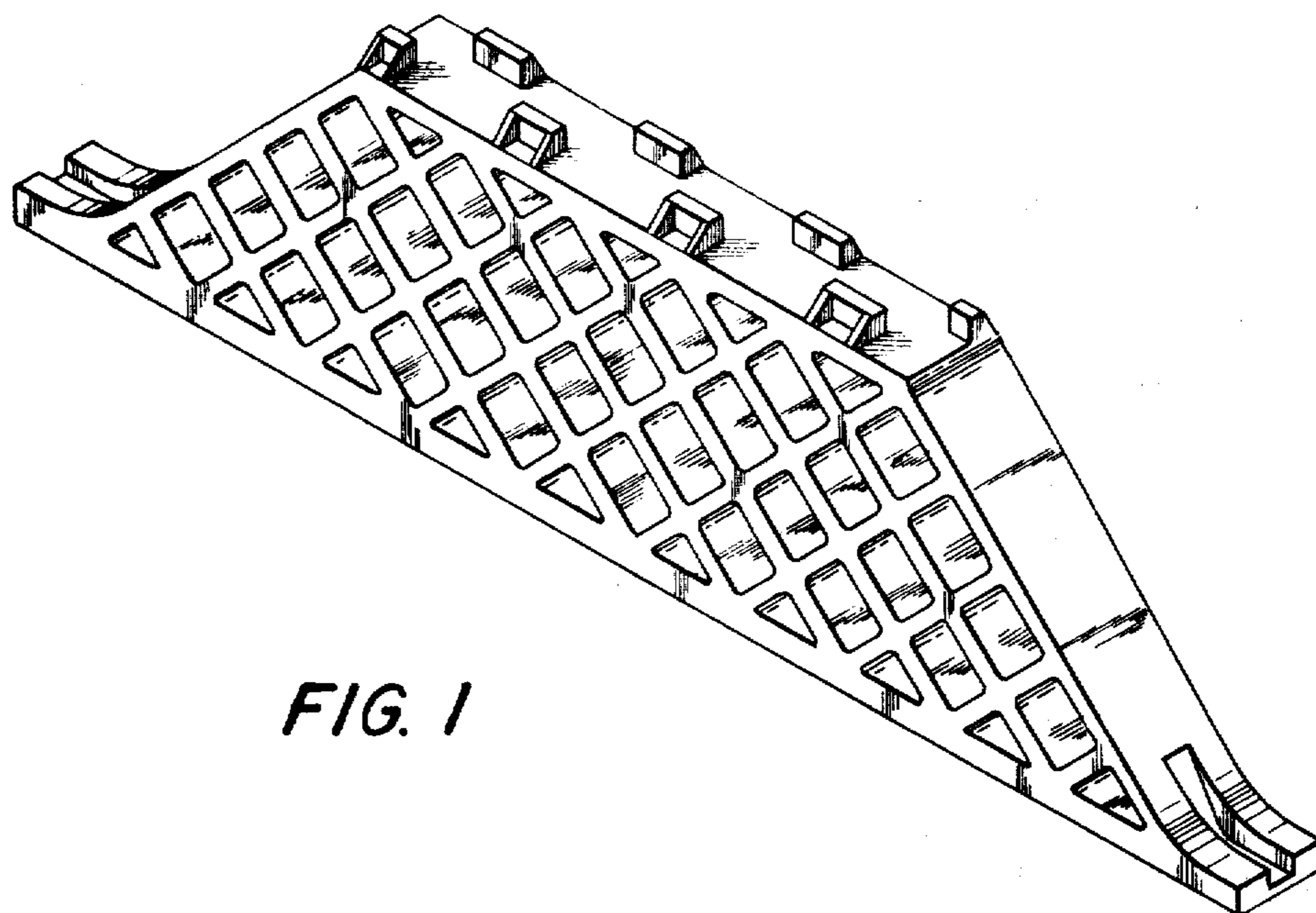


FIG. 1

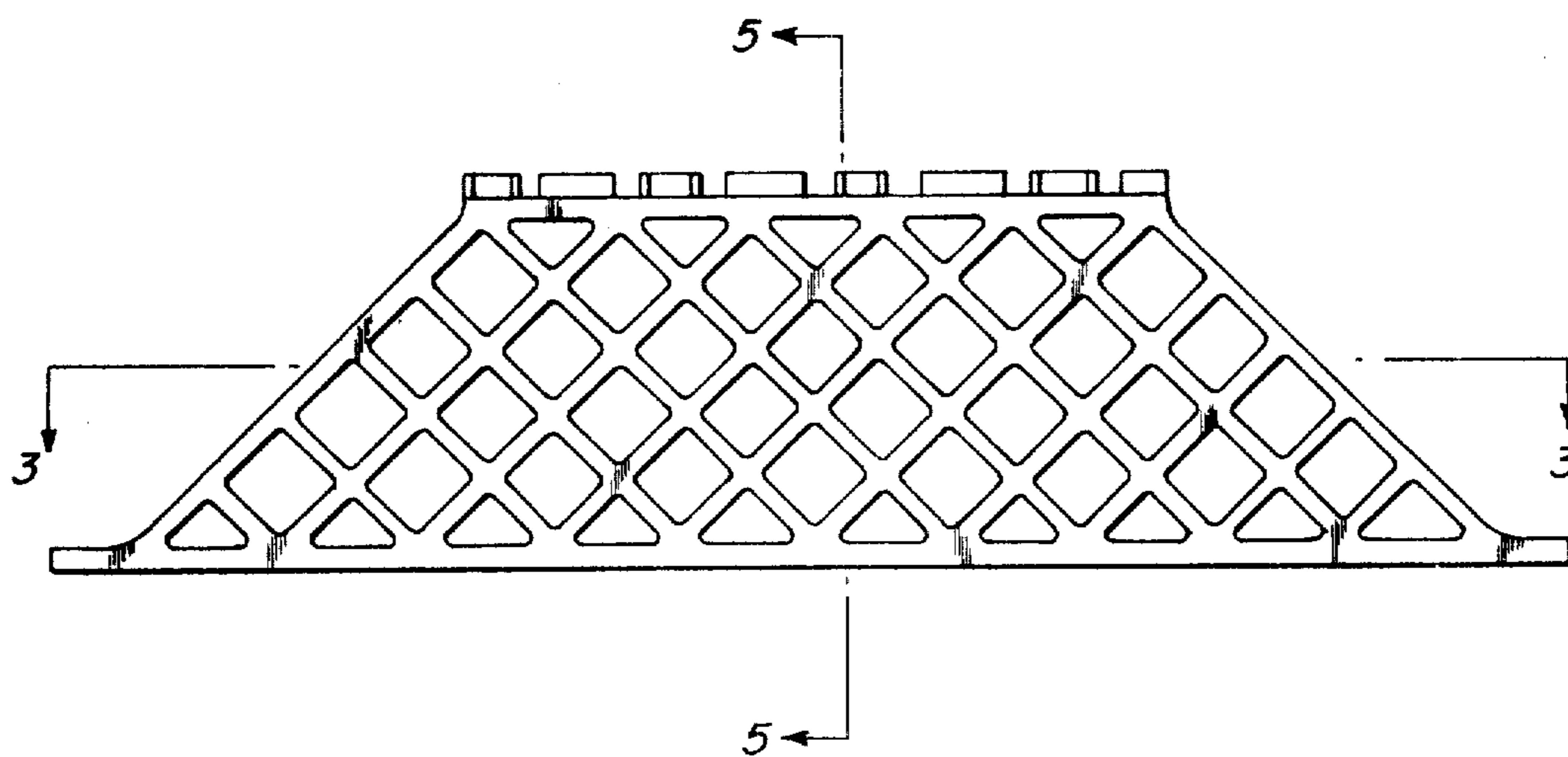


FIG. 2



FIG. 3



FIG. 4

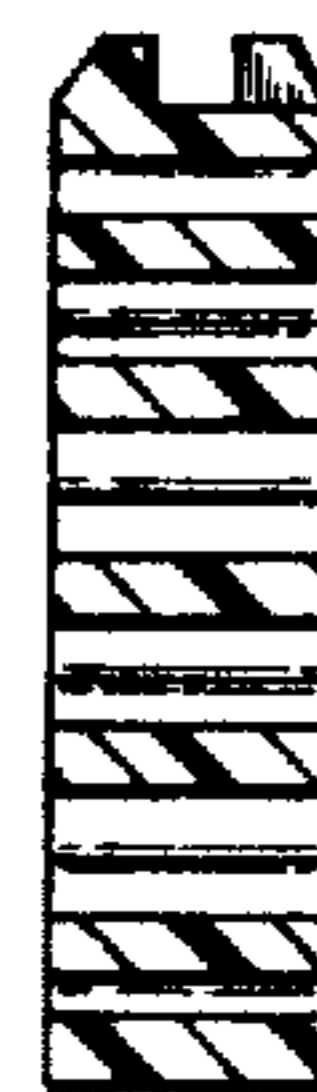


FIG. 5