

[54] **TRACTOR**

[76] Inventor: **Albert E. Browning, Rte. 4, Box 425,
Winnsboro, La. 71295**

[**] Term: **14 Years**

[21] Appl. No.: **198,961**

[22] Filed: **Oct. 20, 1980**

[51] Int. Cl. **D15—03**

[52] U.S. Cl. **D15/23; D12/1**

[58] Field of Search **D12/1; D15/22, 23;
180/900, 54 D, 210, 211, 212**

[56]

References Cited

U.S. PATENT DOCUMENTS

D. 116,092 8/1939 Sundberg et al. D12/1
D. 172,576 7/1954 Bishop D15/23

Primary Examiner—James M. Gandy
Attorney, Agent, or Firm—Woodford R. Thompson, Jr.

[57]

CLAIM

The ornamental design for a tractor, as shown and described.

DESCRIPTION

FIG. 1 is a side elevational view of a tractor showing my new design;

FIG. 2 is a side elevational view of the side opposite that in FIG. 1;

FIG. 3 is a front elevational view thereof;

FIG. 4 is a rear elevational view thereof; and,

FIG. 5 is a top plan view thereof.

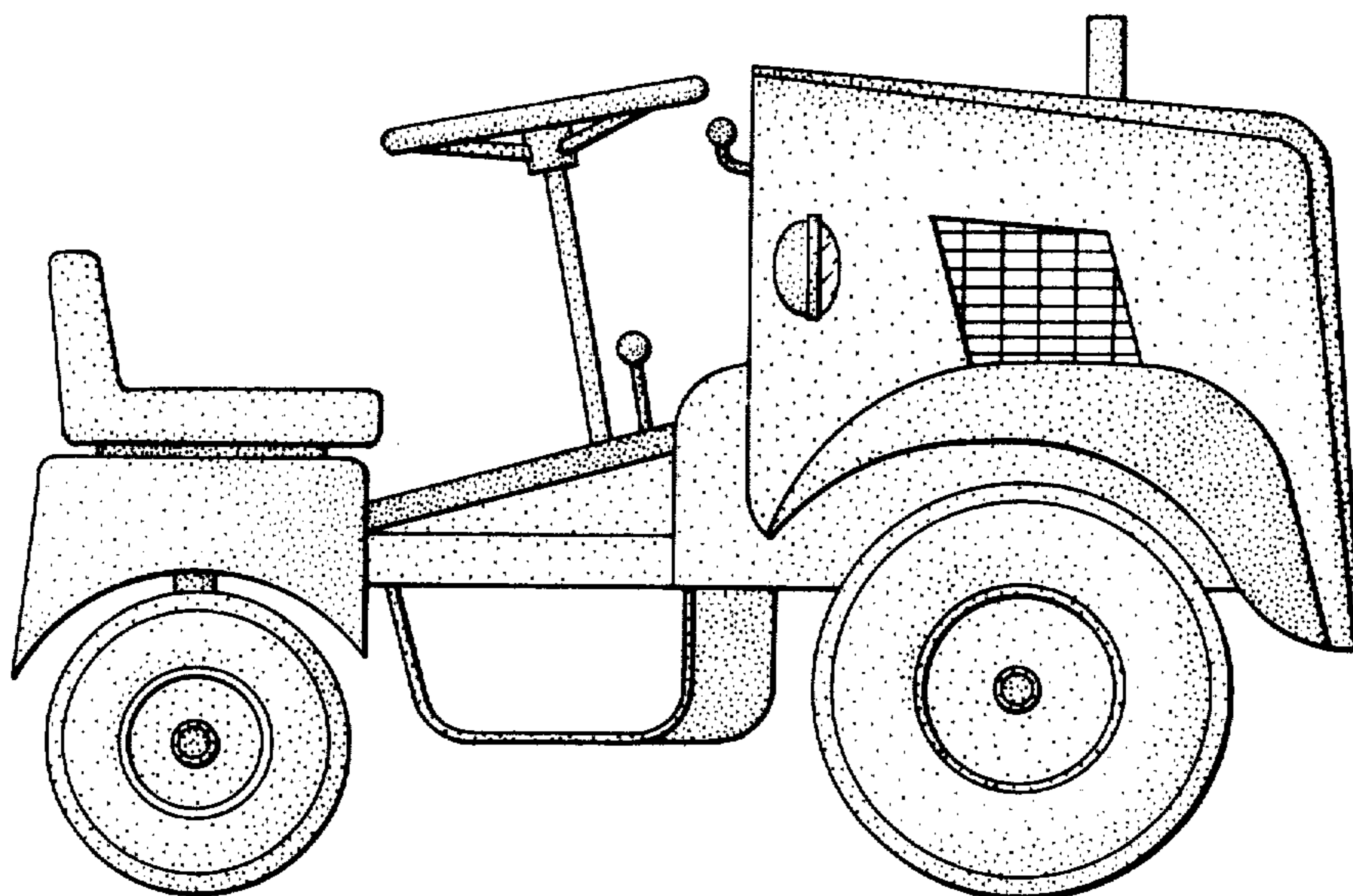


FIG. 1

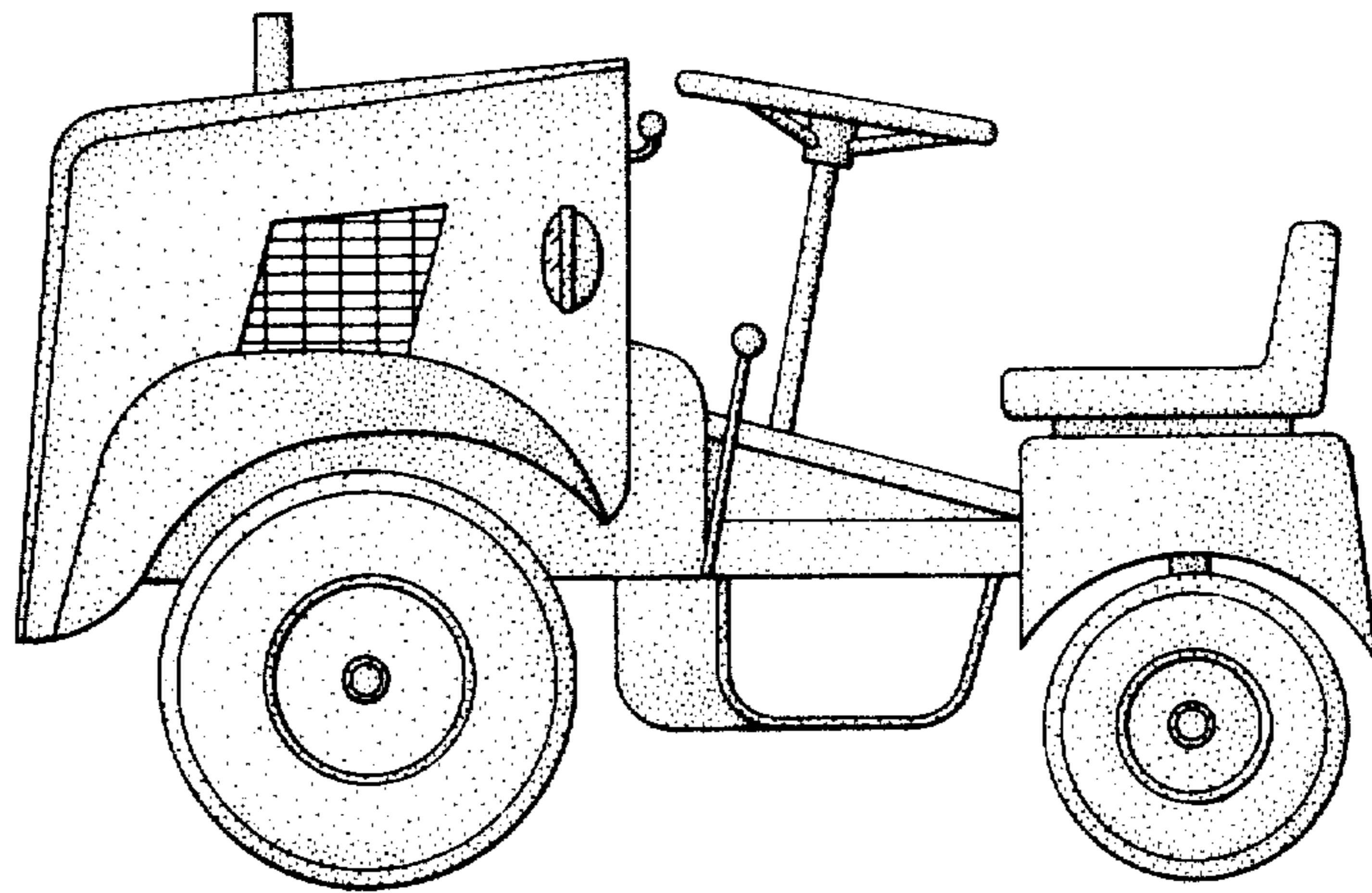
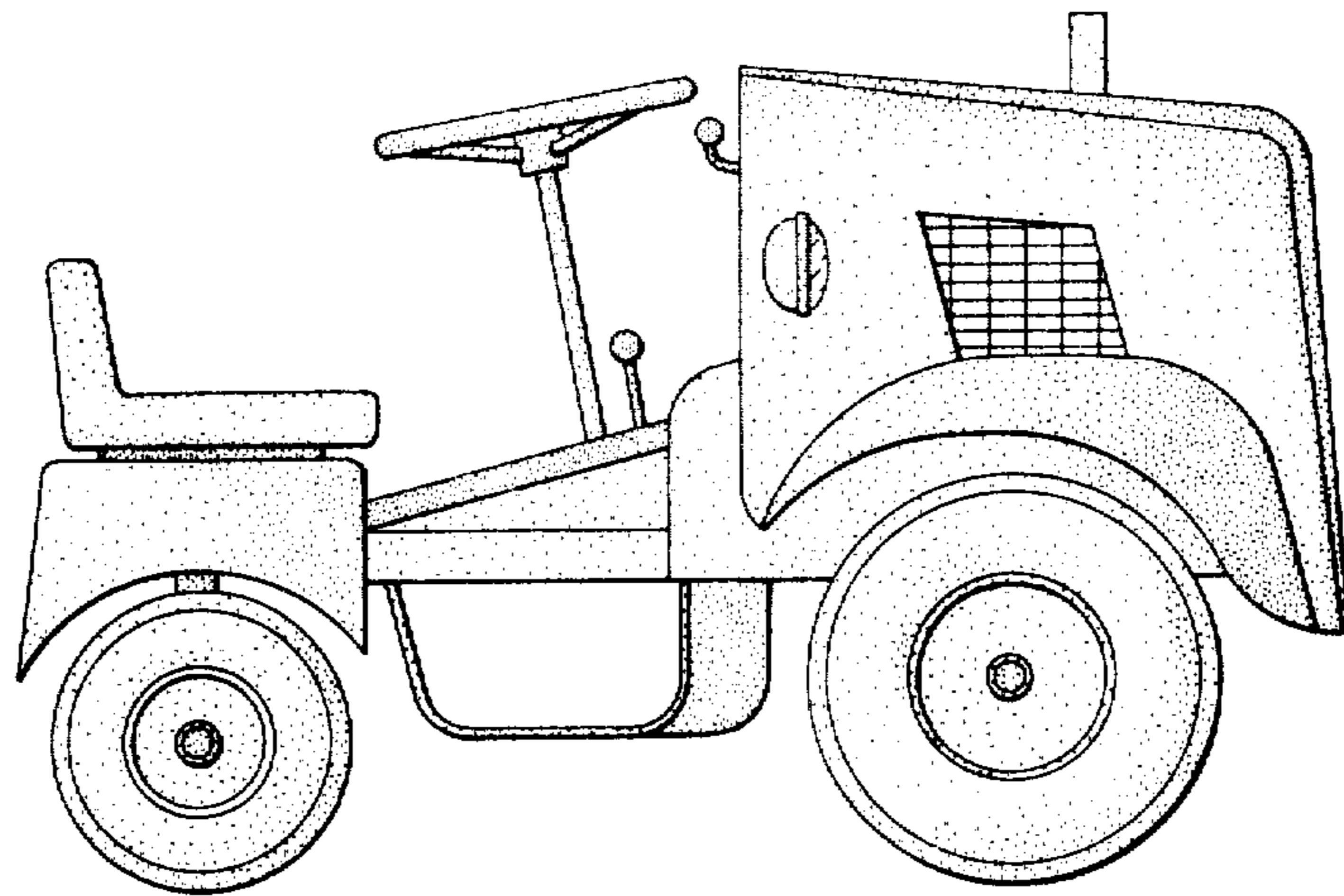


FIG. 2

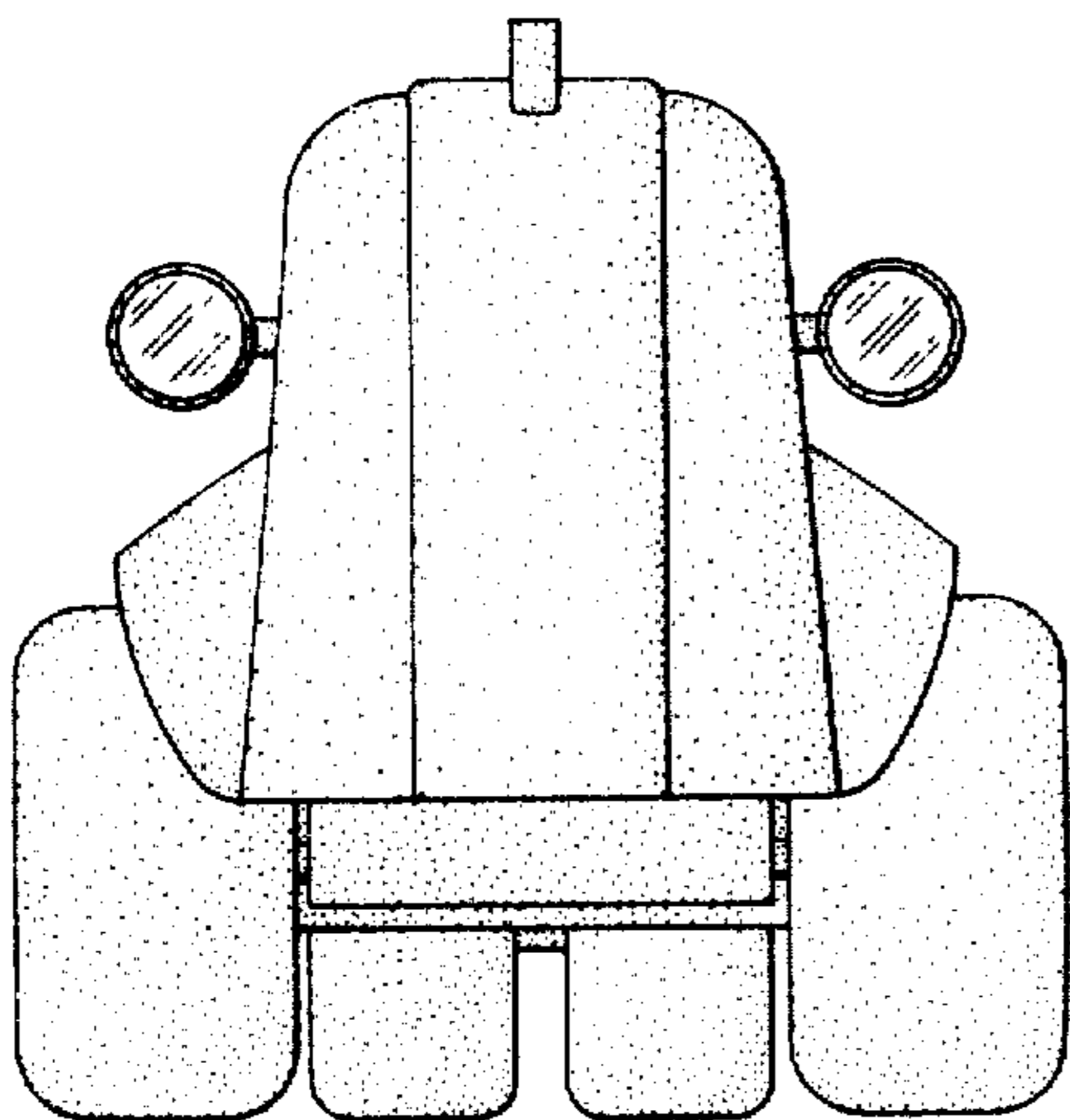


FIG. 3

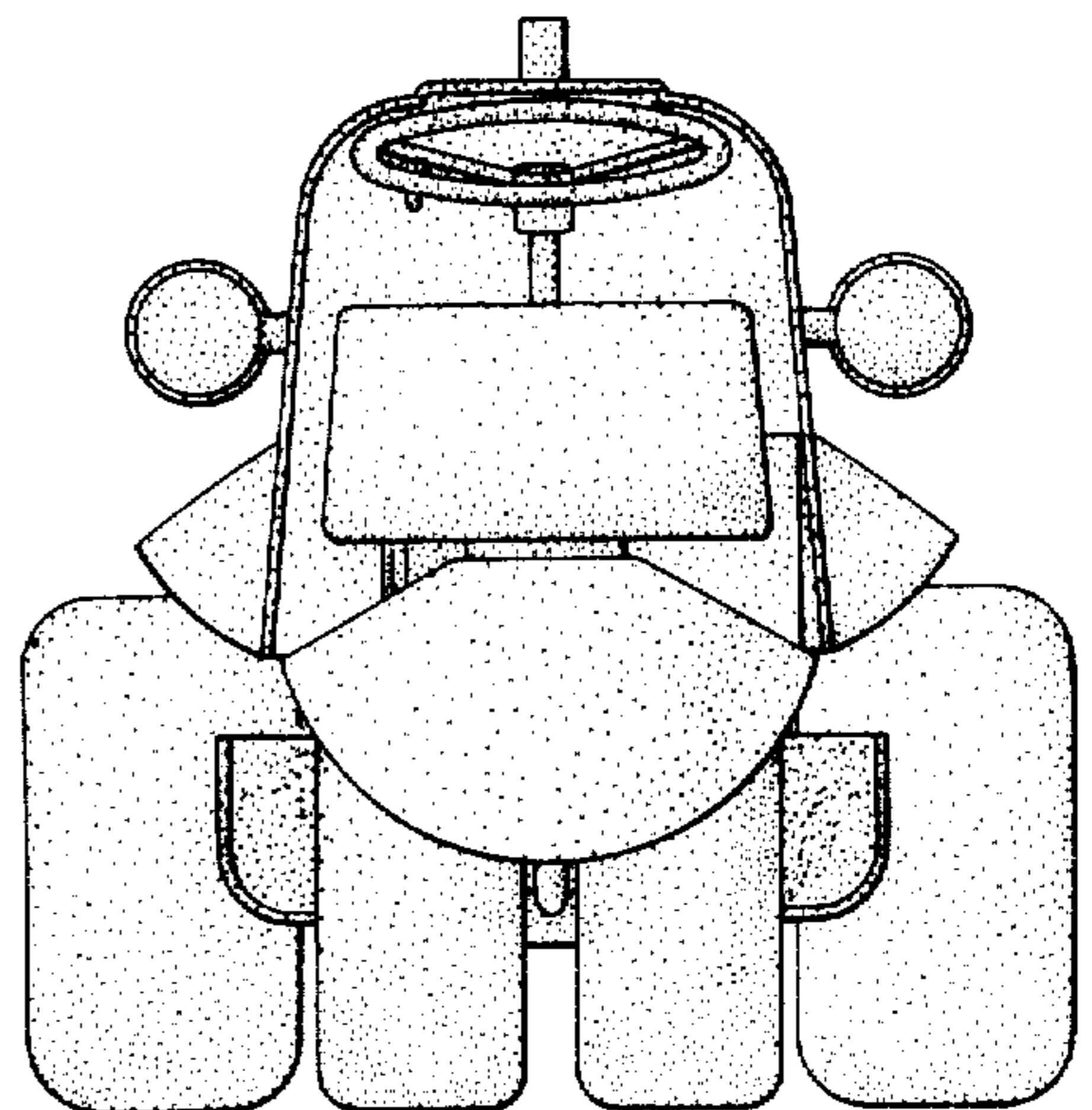


FIG. 4

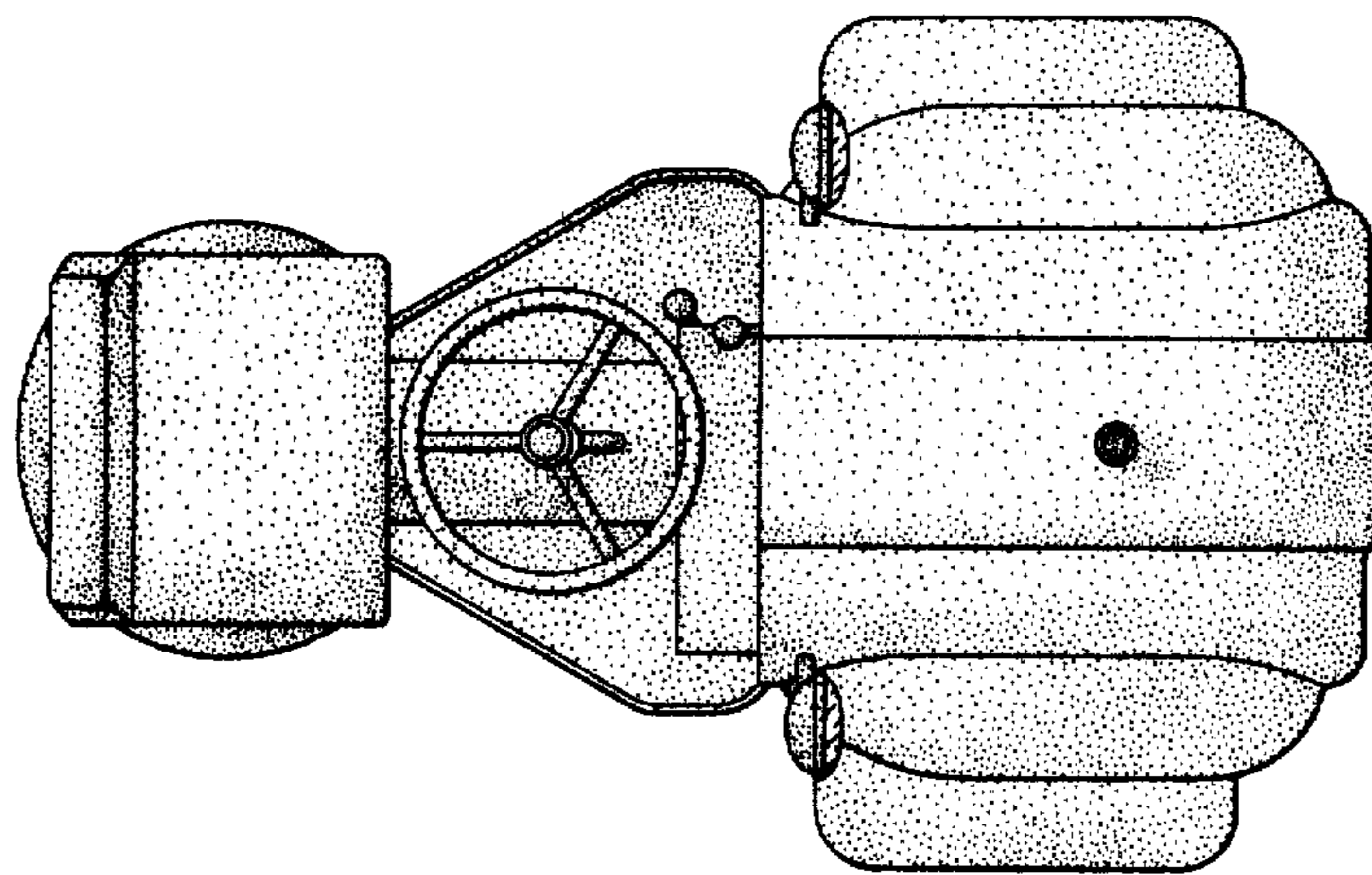


FIG. 5