

[54] FRONT DISCHARGE MIXER TRUCK WITH AUXILIARY REAR AXLE

[76] Inventor: Frederick J. Silbernagel, 148-7th SE., Huron, S. Dak. 57350

[\*\*] Term: 14 Years

[21] Appl. No.: 247,615

[22] Filed: Mar. 25, 1981

[51] Int. Cl. .... D15-03

[52] U.S. Cl. .... D15/19

[58] Field of Search ..... D15/19; D12/95; 259/161, 172, 173, 175, 176; 366/21, 22, 23, 24, 25, 44, 54

[56] References Cited

U.S. PATENT DOCUMENTS

|            |         |             |       |        |
|------------|---------|-------------|-------|--------|
| D. 249,665 | 9/1978  | Silbernagel | ..... | D12/95 |
| 3,929,321  | 12/1975 | Sims        | ..... | 366/54 |
| 4,212,542  | 7/1980  | Beekenkamp  | ..... | 366/54 |
| 4,311,396  | 1/1982  | Brandi      | ..... | 366/54 |

OTHER PUBLICATIONS

Commercial Car Journal, Aug. 1975, p. 114, Front End Mixer, in lower right corner.

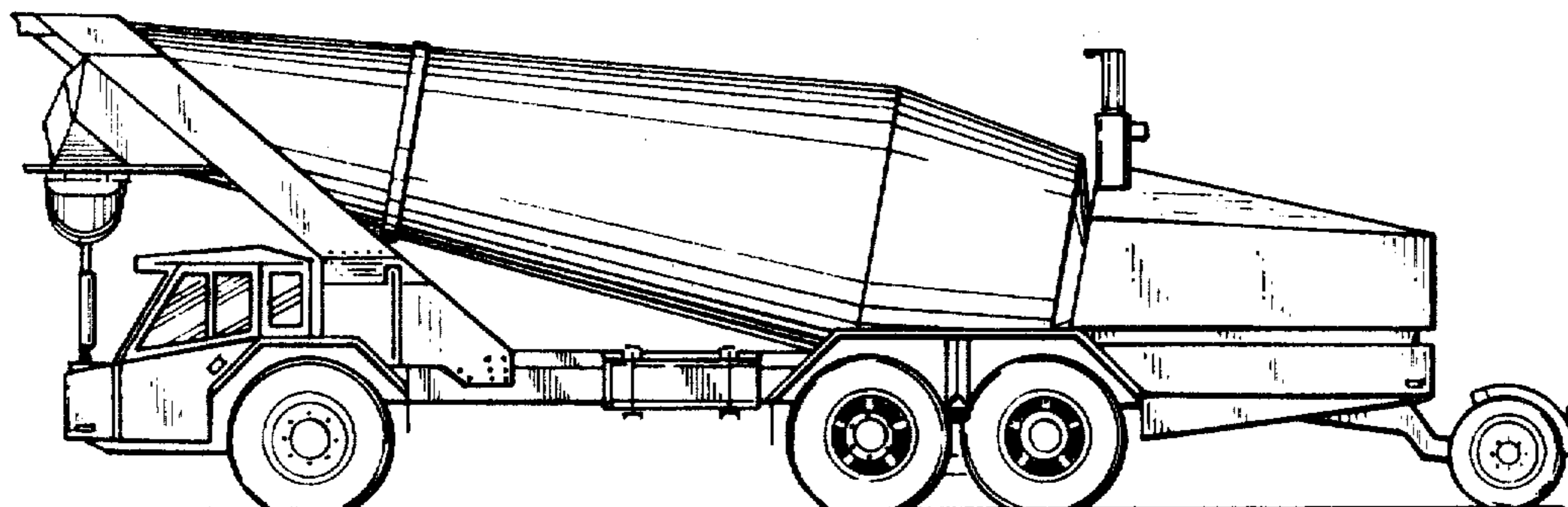
Primary Examiner—Wallace R. Burke  
Assistant Examiner—Suzanne N. Gitlin  
Attorney, Agent, or Firm—Kinney, Lange, Braddock, Westman and Fairbairn

[57] CLAIM

The ornamental design for a front discharge mixer truck with auxiliary rear axle, substantially as shown and described.

DESCRIPTION

FIG. 1 is a top plan view of a front discharge mixer truck with auxiliary rear axle embodying my new design; FIG. 2 is a left side elevational view thereof; FIG. 3 is a right side elevational view thereof; FIG. 4 is a front elevational view thereof; and FIG. 5 is a rear elevational view thereof.



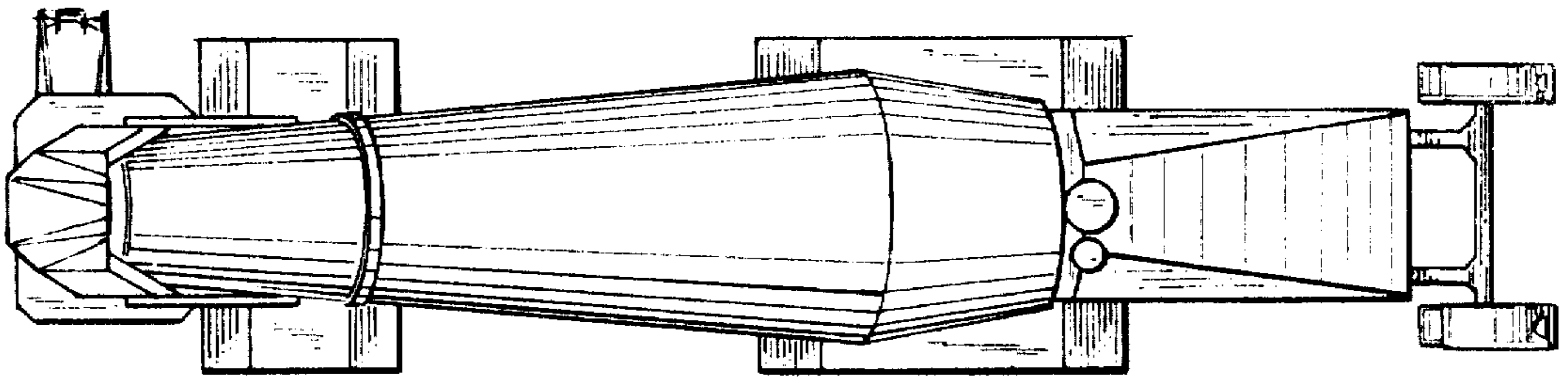


FIG. 1

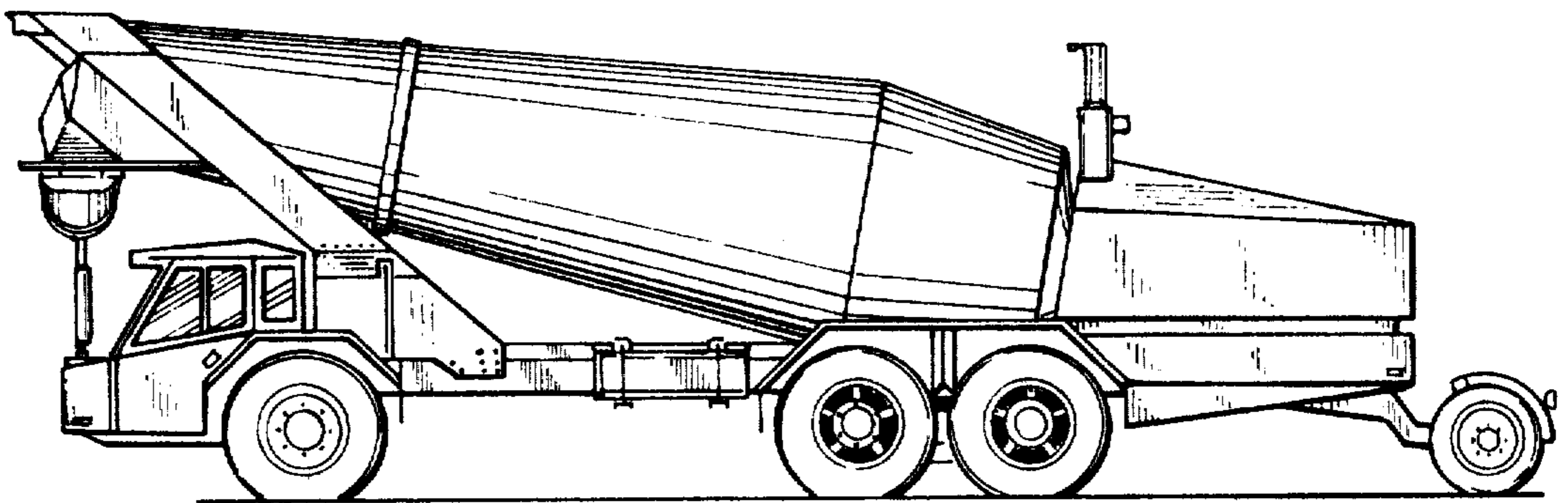


FIG. 2

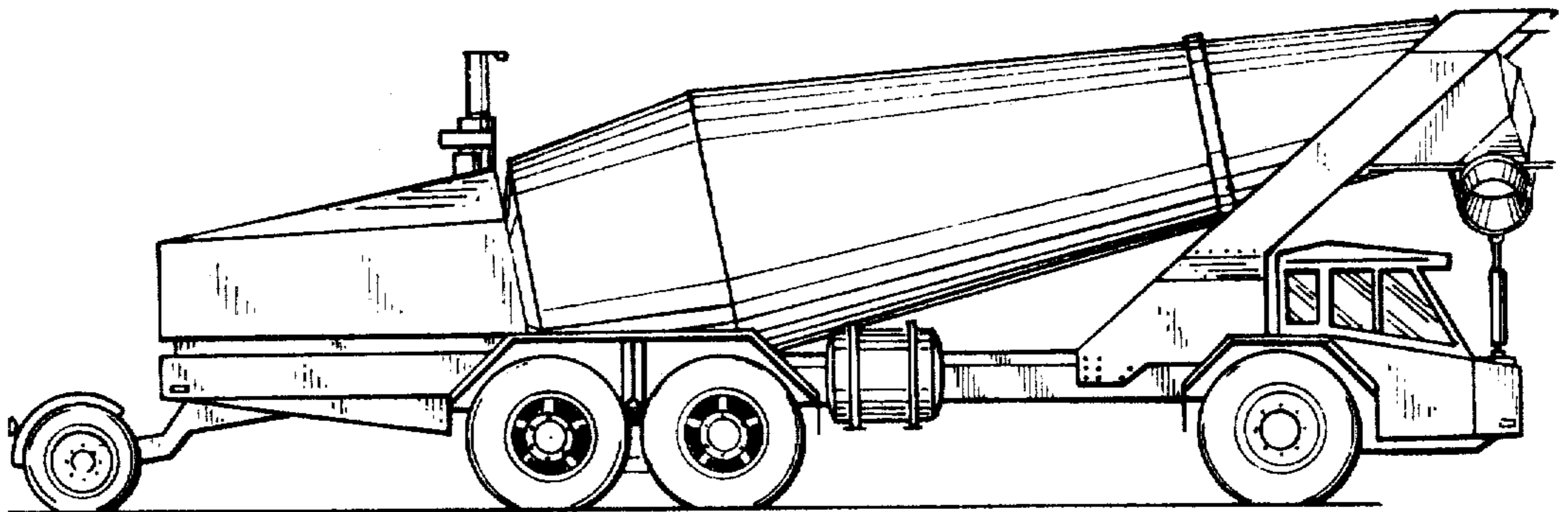


FIG. 3

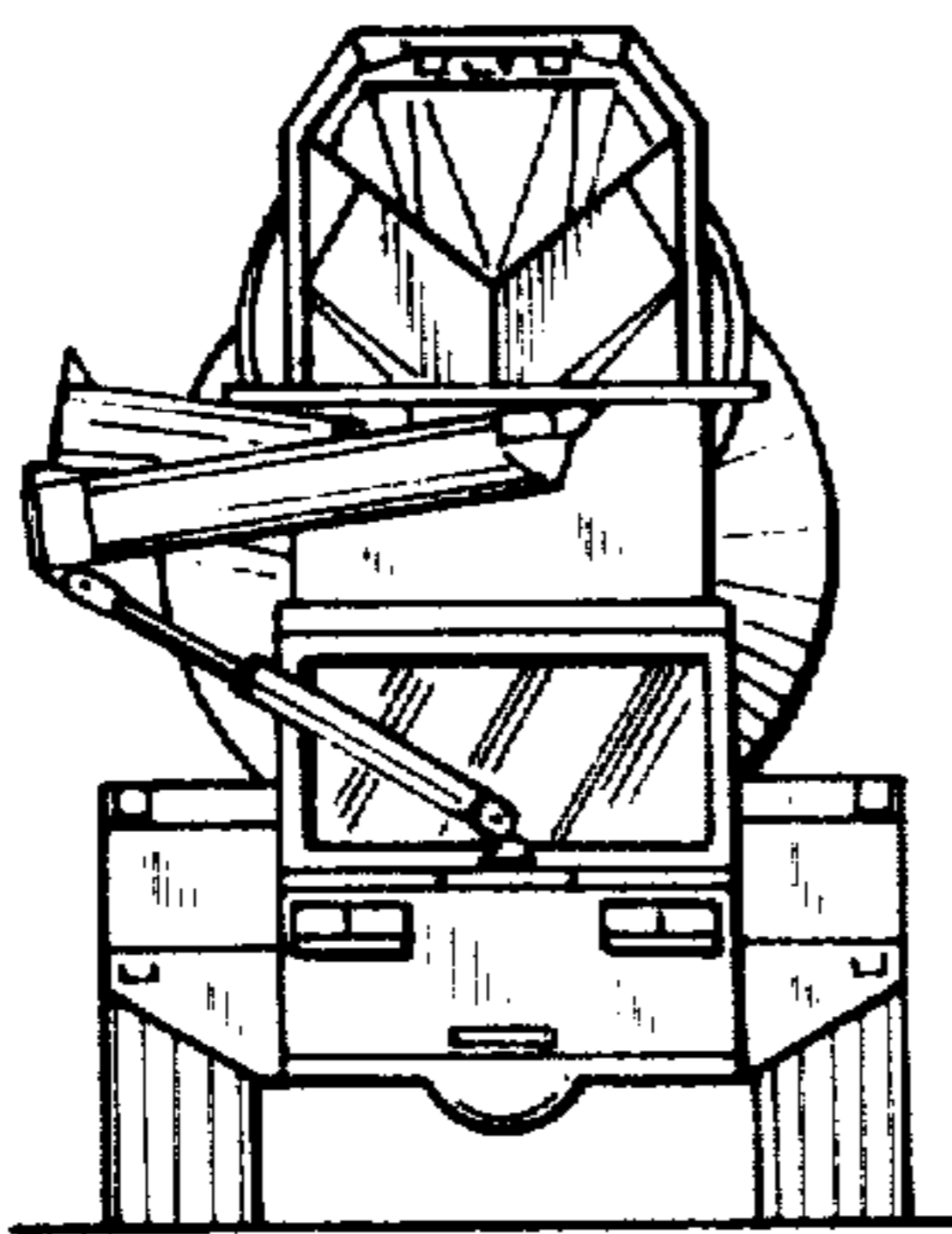


FIG. 4

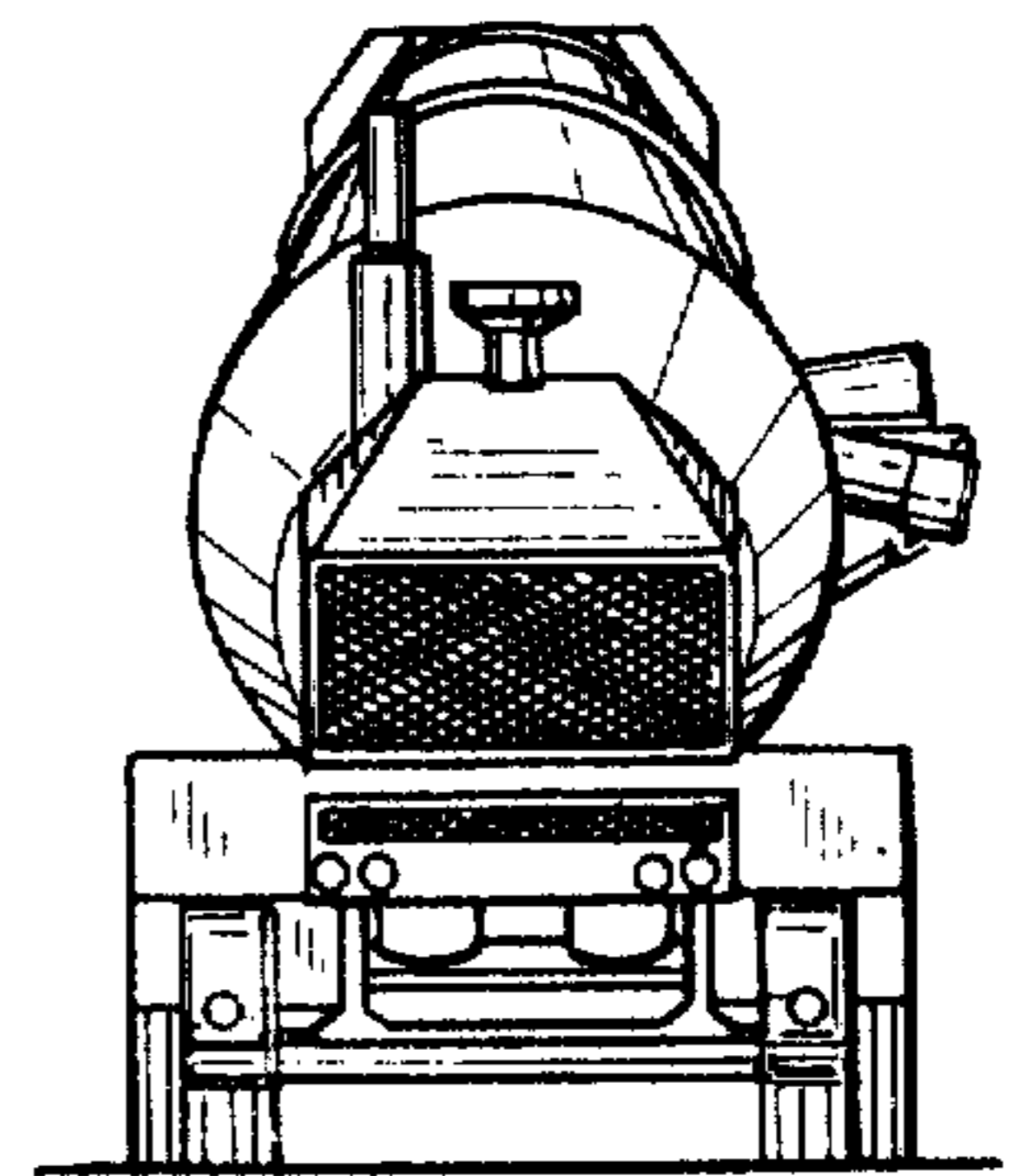


FIG. 5