

[54] ELECTRONIC RECEPTACLE HOUSING

[75] Inventors: **Richard C. Doyle**, Greenlawn; **Lester Rivera**, Glendale; **Saul Rosenbaum**, East Meadow, all of N.Y.

[73] Assignee: **Leviton Manufacturing Co., Inc.**, Little Neck, N.Y.

[\*\*] Term: **14 Years**

[21] Appl. No.: **309,354**

[22] Filed: **Oct. 7, 1981**

[51] Int. Cl. .... **D13-03**

[52] U.S. Cl. .... **D13/30**

[58] Field of Search ..... **D13/4, 11, 30; 361/42, 361/43, 331, 332, 357; 174/53, 66; 335/18; 200/81 R; 339/163, 164, 122, 123, 14**

[56] **References Cited**

**U.S. PATENT DOCUMENTS**

4,010,434 3/1977 Klein et al. .... 361/332 X

**OTHER PUBLICATIONS**

Hubbell "Designerline" ® Brochure, p. 1 Wall Switch #3601-I.

Slater Electric Inc. Medalist Greendot Line Cat., 1978 p. 3, Duplex Receptacle #7300-AG-WH.

*Primary Examiner*—Susan J. Lucas  
*Attorney, Agent, or Firm*—Paul J. Sutton

[57] **CLAIM**

The ornamental design for an electronic receptacle housing, as shown and described.

**DESCRIPTION**

FIG. 1 is a right front perspective view of an electronic receptacle housing showing our new design;

FIG. 2 is a top plan view thereof on a reduced scale;

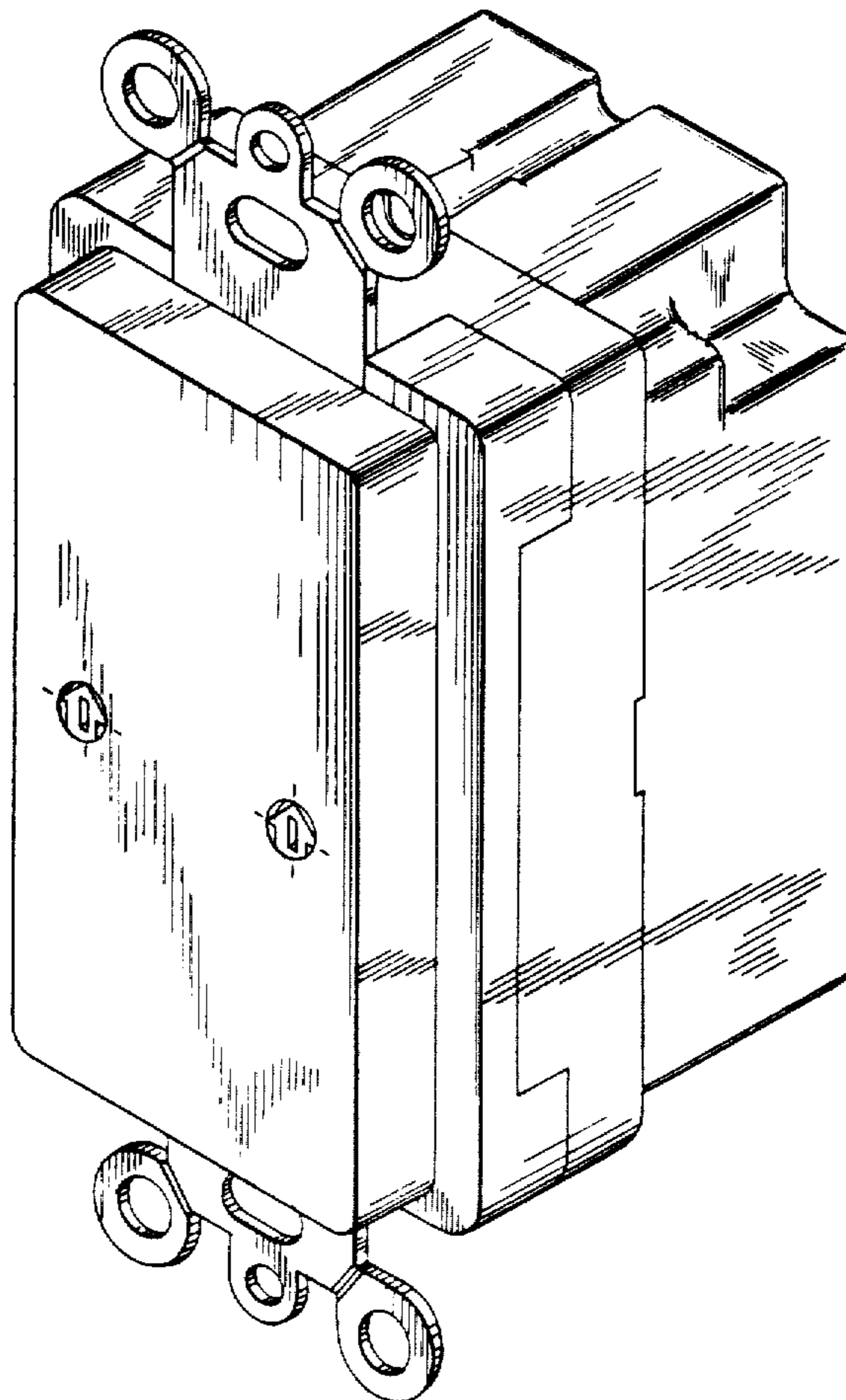
FIG. 3 is a front elevational view thereof on a reduced scale;

FIG. 4 is a right side elevational view thereof on a reduced scale;

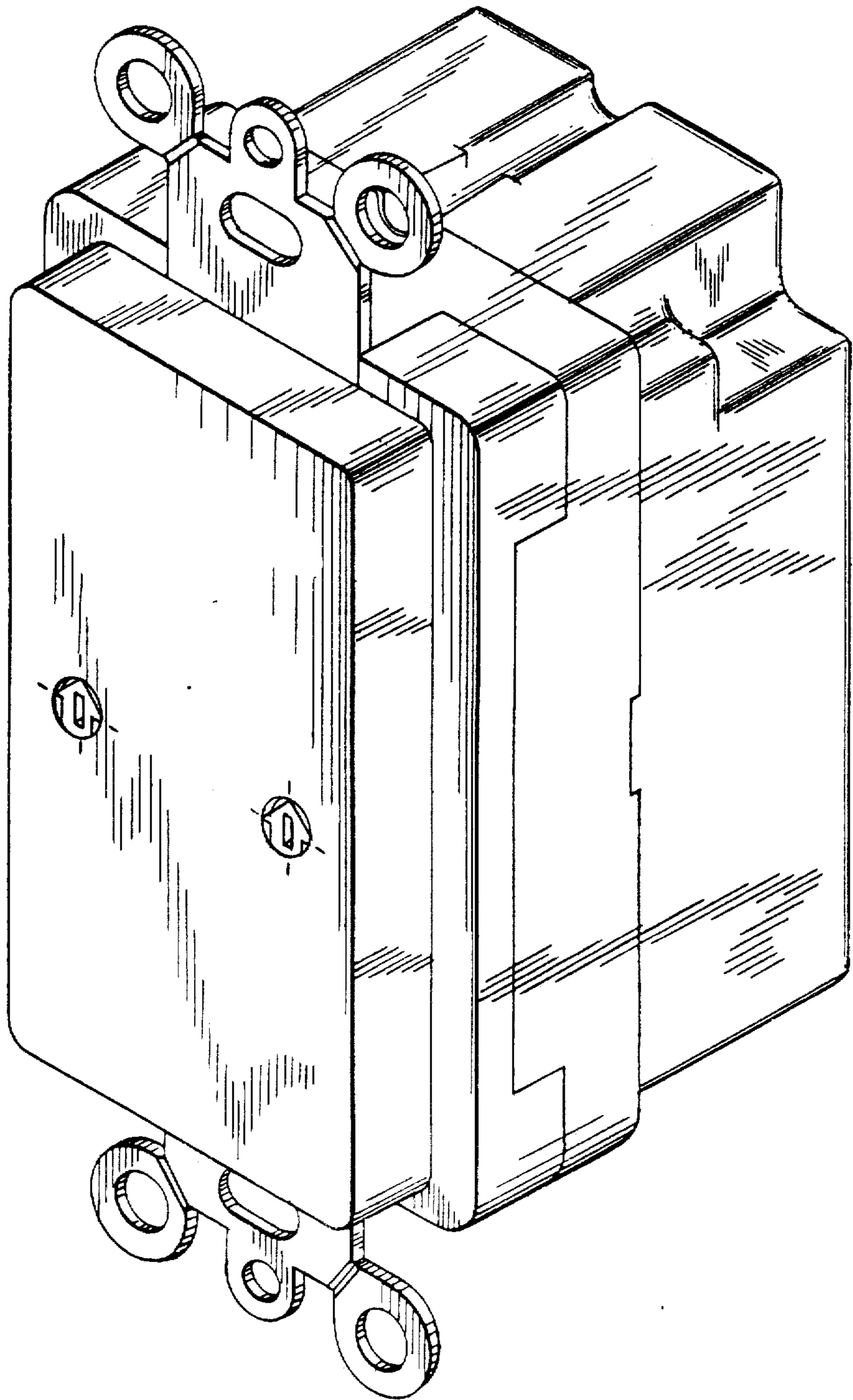
FIG. 5 is a left side elevational view thereof on a reduced scale;

FIG. 6 is a rear elevational view thereof on a reduced scale;

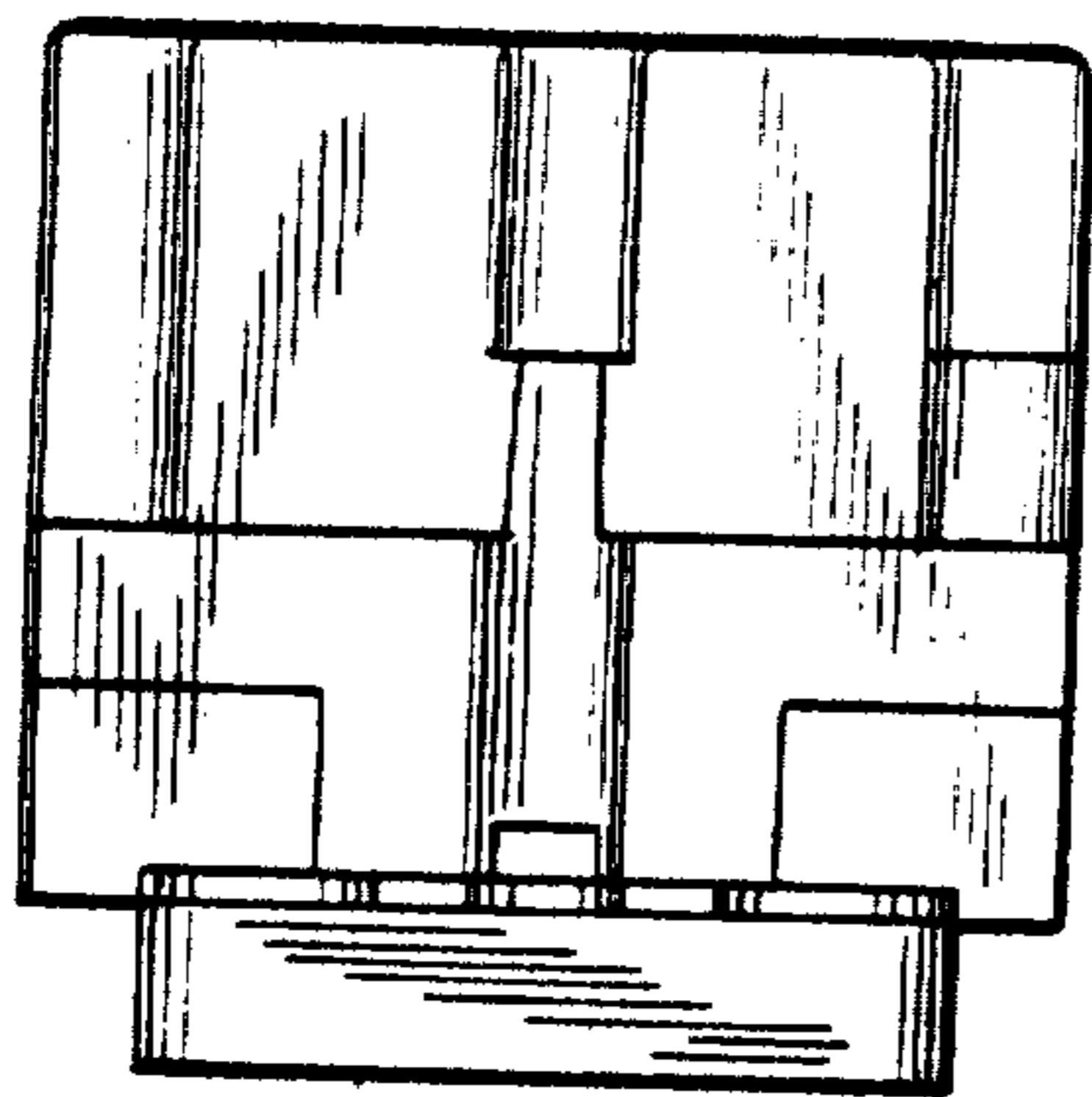
FIG. 7 is a bottom plan view thereof on a reduced scale.



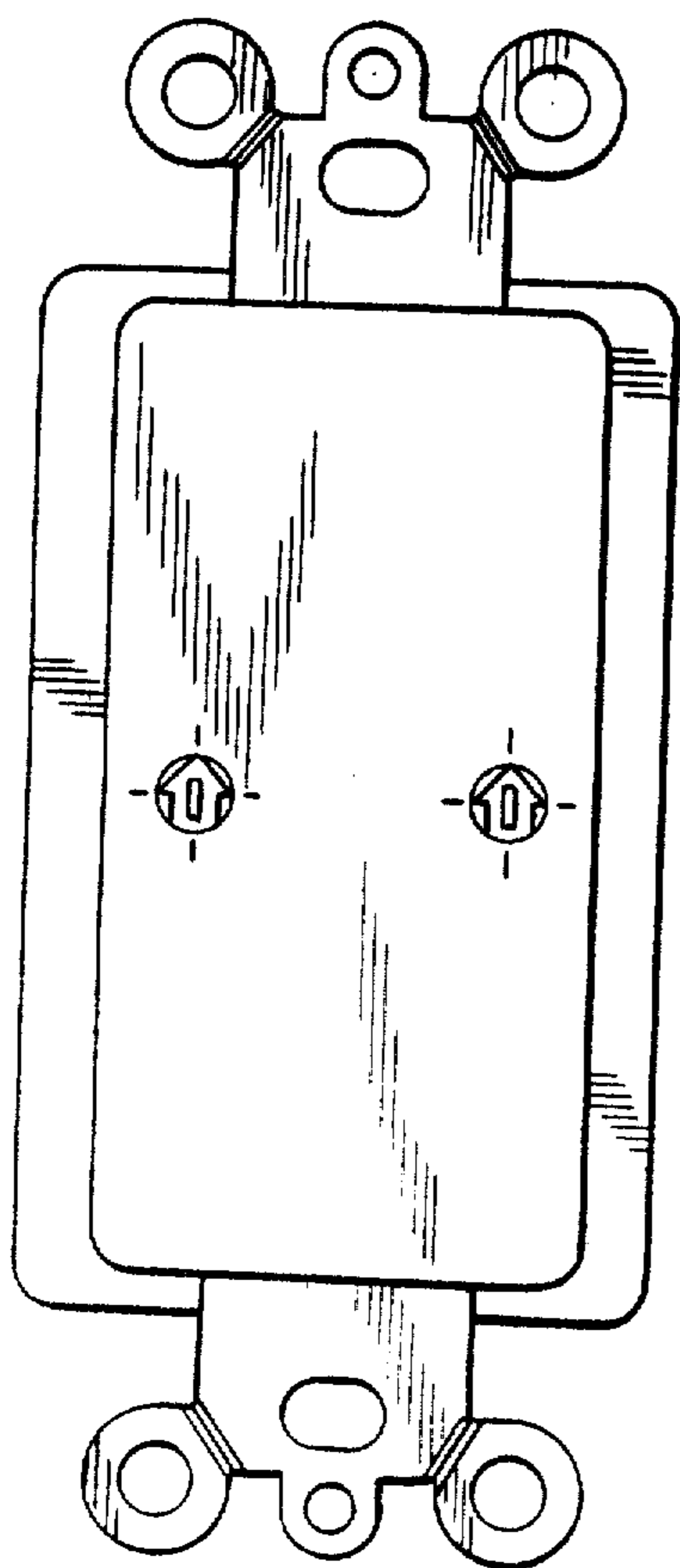
*FIG. 1*



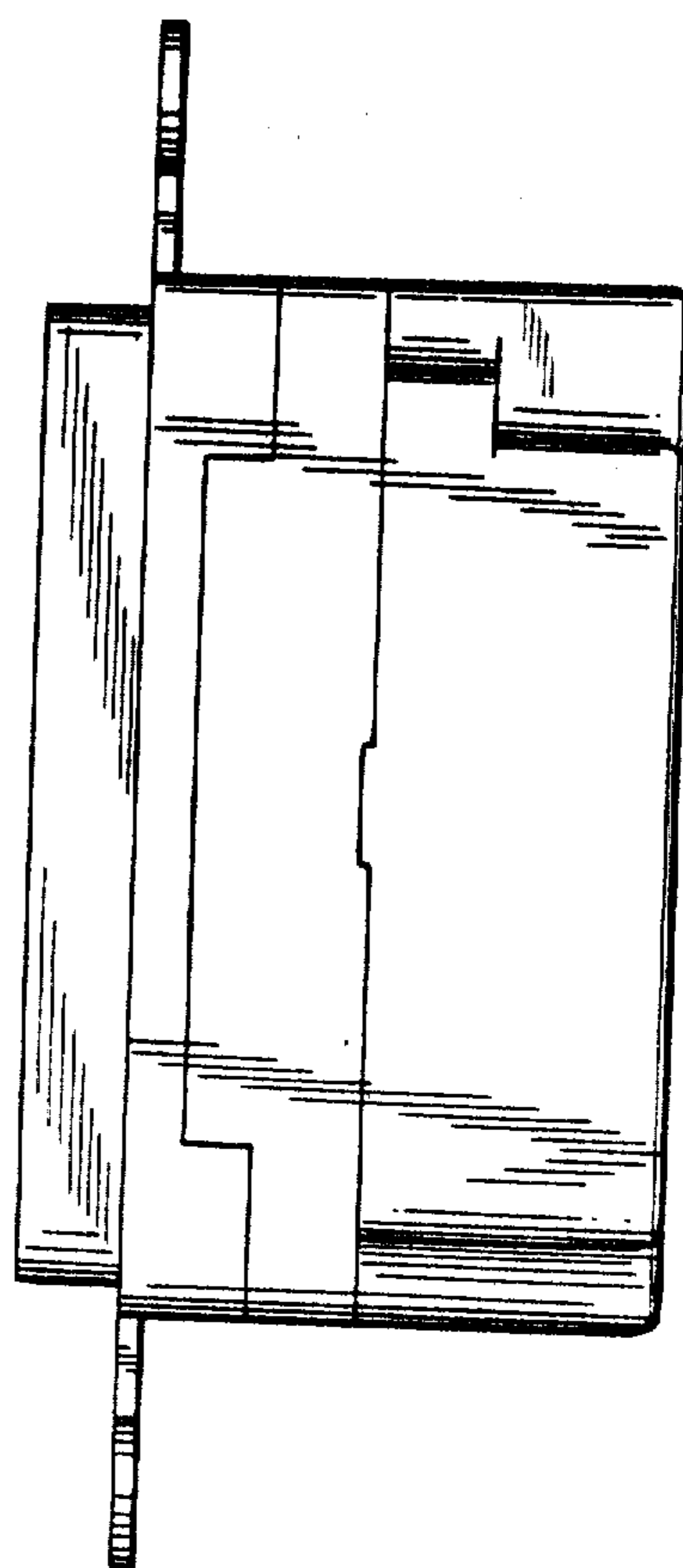
*FIG. 2*



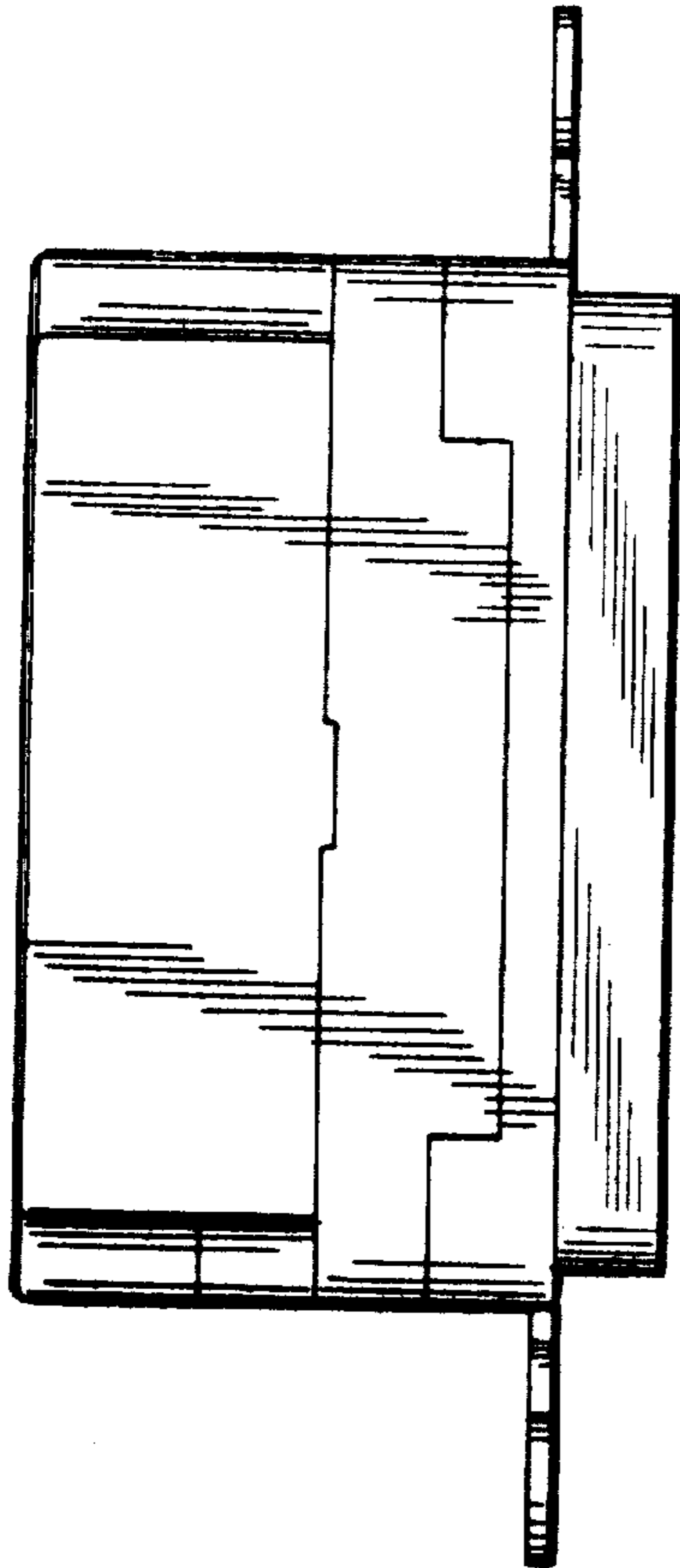
*FIG. 3*



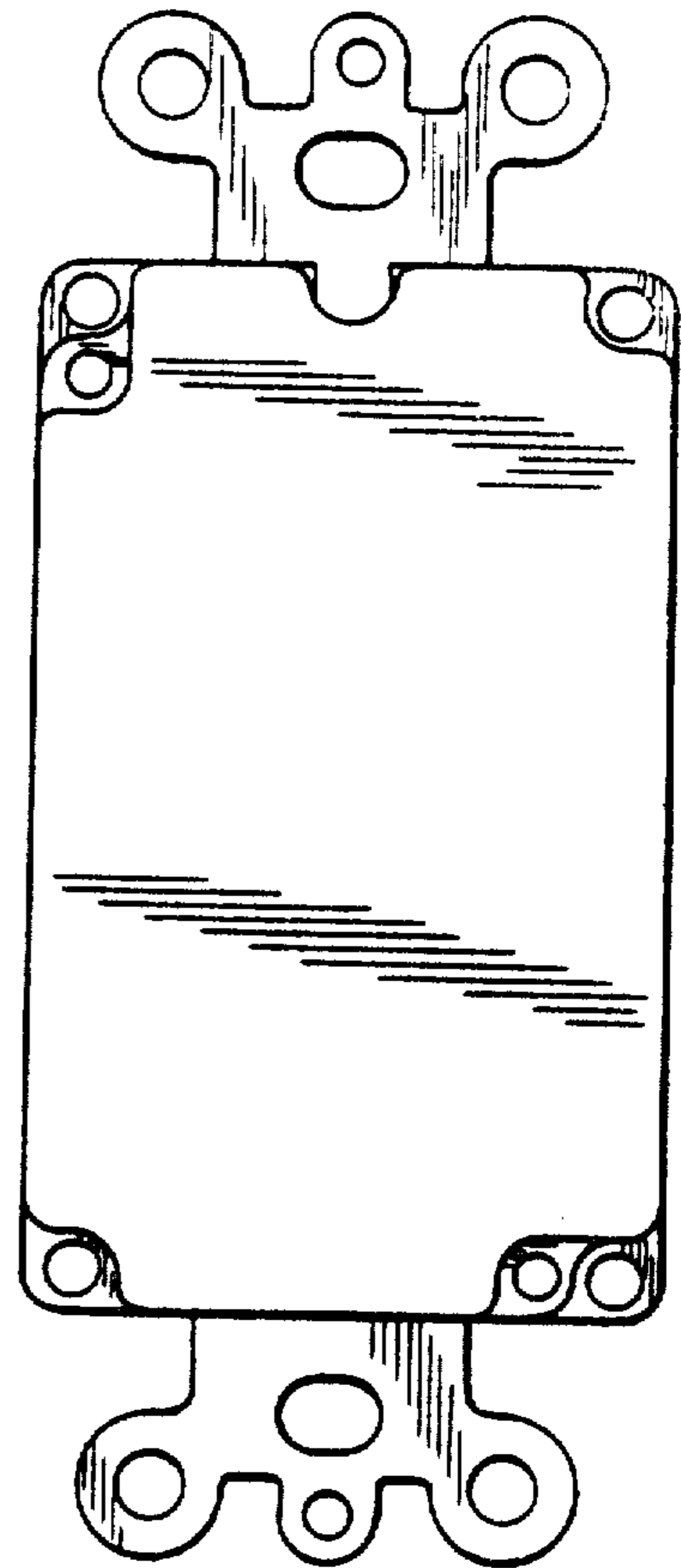
*FIG. 4*



*FIG. 5*



*FIG. 6*



*FIG. 7*

