

[54] **TAMPER-PROOF FASTENING DEVICE FOR TAGS AND THE LIKE**
 [75] Inventor: **John K. Tcherneshoff**, Fort Payne, Ala.
 [73] Assignee: **Tcherneshoff Associates, Inc.**, Fort Payne, Ala.
 [**] Term: **14 Years**
 [21] Appl. No.: **214,328**
 [22] Filed: **Dec. 8, 1980**
 [51] Int. Cl. **D6—08; D8—08**
 [52] U.S. Cl. **D8/373; D6/113; D6/247; D6/249; D8/382; D8/390**
 [58] Field of Search **D8/373, 382, 389, 390; D6/113, 247; 223/85; D20/42, 43; 24/150 R, 150 P, 150 B, 150 FP, 201 A; 40/22, 24**

3,273,705 9/1966 Rieger 206/56
 3,382,546 5/1968 Palmay et al. 24/90
 3,444,597 5/1969 Bone 24/150
 3,508,303 4/1970 Miyasaka 24/73
 3,598,025 8/1971 Cotton .
 3,650,452 3/1972 Finke .
 3,754,304 8/1973 Modrey 24/90
 3,850,297 11/1974 Merser 206/346
 3,875,648 4/1975 Bone 29/417
 4,038,725 8/1977 Keefe 24/150 FP
 4,121,487 10/1978 Bone 83/23
 4,179,063 12/1979 Russell 227/67
 4,189,049 2/1980 Silver 206/216
 4,221,025 9/1980 Martens et al. 24/150 R

FOREIGN PATENT DOCUMENTS

20150 10/1916 France 24/150 FP

Primary Examiner—**B. J. Bullock**
Attorney, Agent, or Firm—**Dann, Dorfman, Herrell and Skillman**

[56] **References Cited**

U.S. PATENT DOCUMENTS

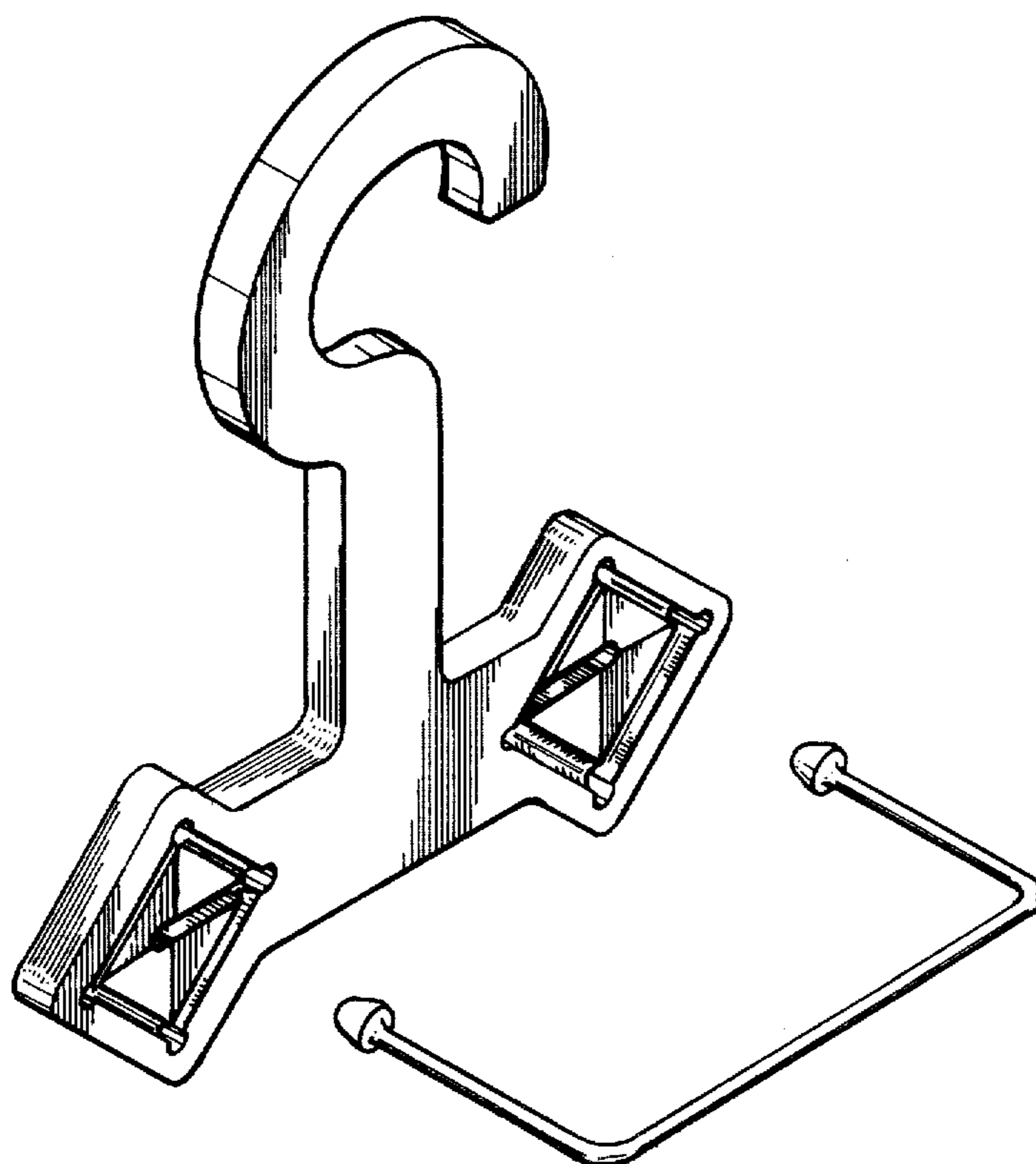
D. 191,824 11/1961 Dollins D20/43
 D. 201,936 8/1965 Charak D6/247
 D. 214,151 5/1969 Merser D8/382
 255,480 3/1882 Webb .
 298,549 5/1884 Buck .
 298,629 5/1884 Secenbaugh .
 302,495 7/1884 Jenkins .
 303,398 8/1884 Phillips .
 1,252,862 1/1918 Thompson .
 1,288,265 12/1918 Stitt et al. .
 2,097,965 11/1937 Caulk, Jr. 40/22
 2,700,806 2/1955 Fleischer 24/35
 2,854,719 10/1958 Davies 24/150
 2,935,434 5/1960 Dawson 154/118
 3,103,666 9/1963 Bone 1/301

[57] **CLAIM**

The ornamental design for a tamper-proof fastening device for tags and the like, substantially as shown and described.

DESCRIPTION

FIG. 1 is an exploded perspective view of a tamper-proof fastening device for tags and the like showing my new design;
 FIG. 2 is a top plan view thereof;
 FIG. 3 is a bottom plan view thereof;
 FIG. 4 is a side elevational view taken from the right of FIG. 1;
 FIG. 5 is a front elevational view thereof;
 FIG. 6 is a rear elevational view thereof.



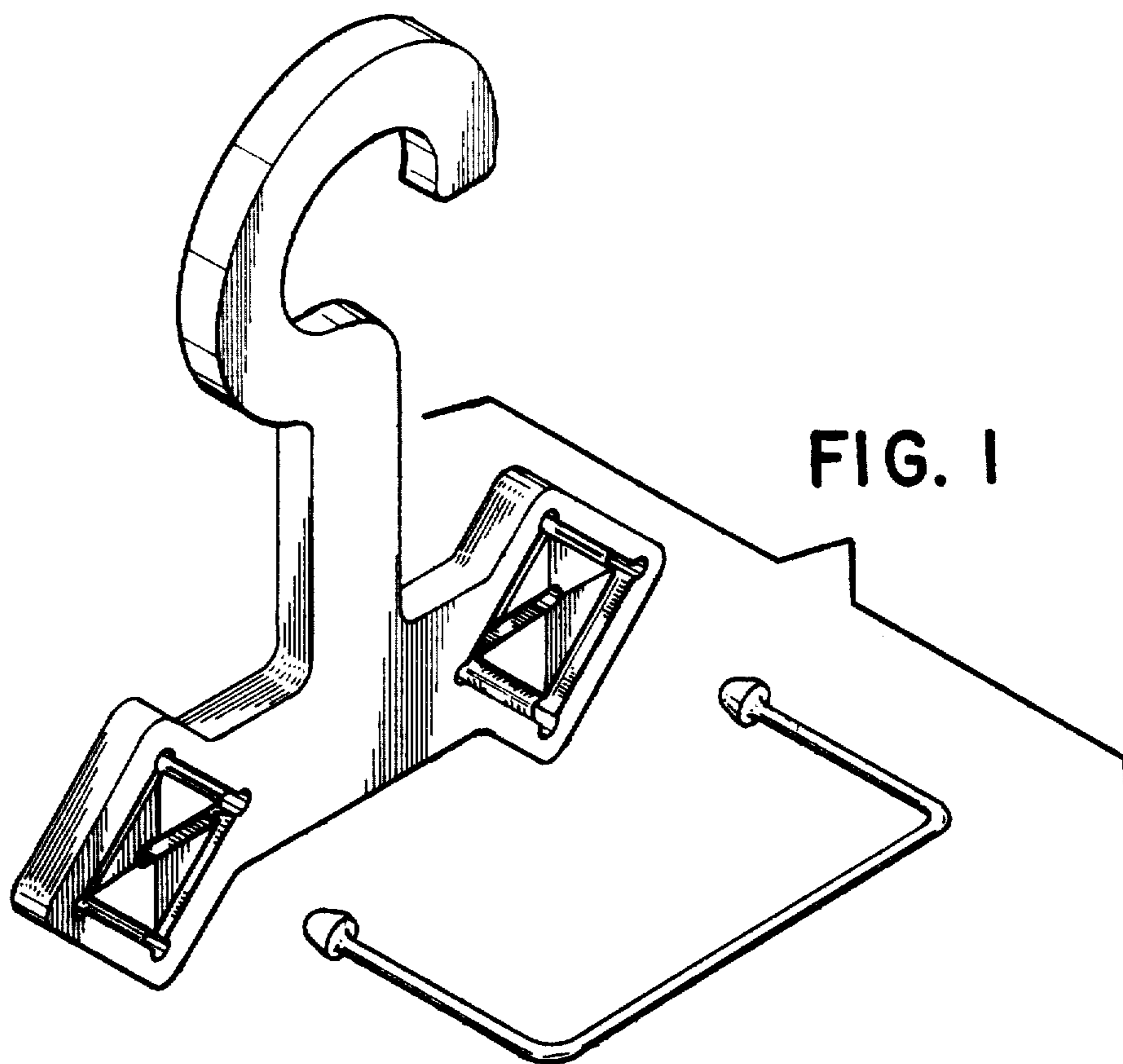


FIG. 1

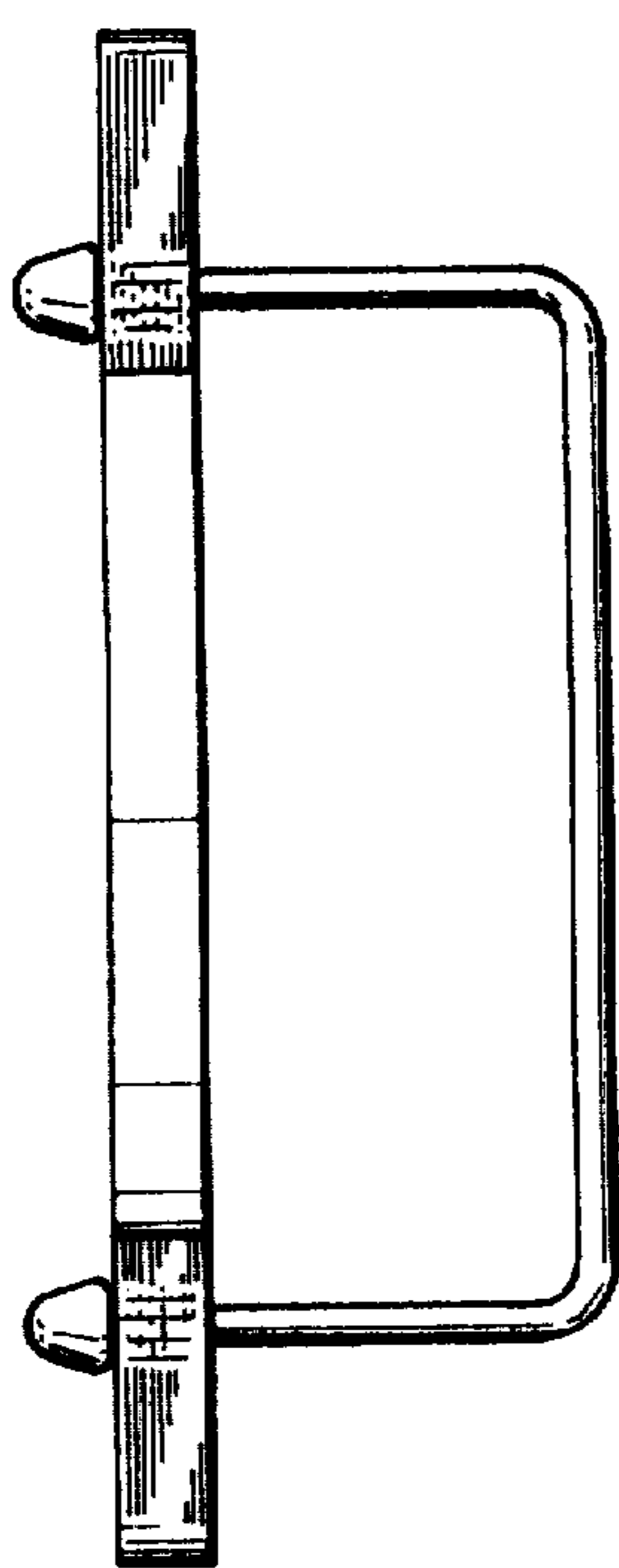


FIG. 2

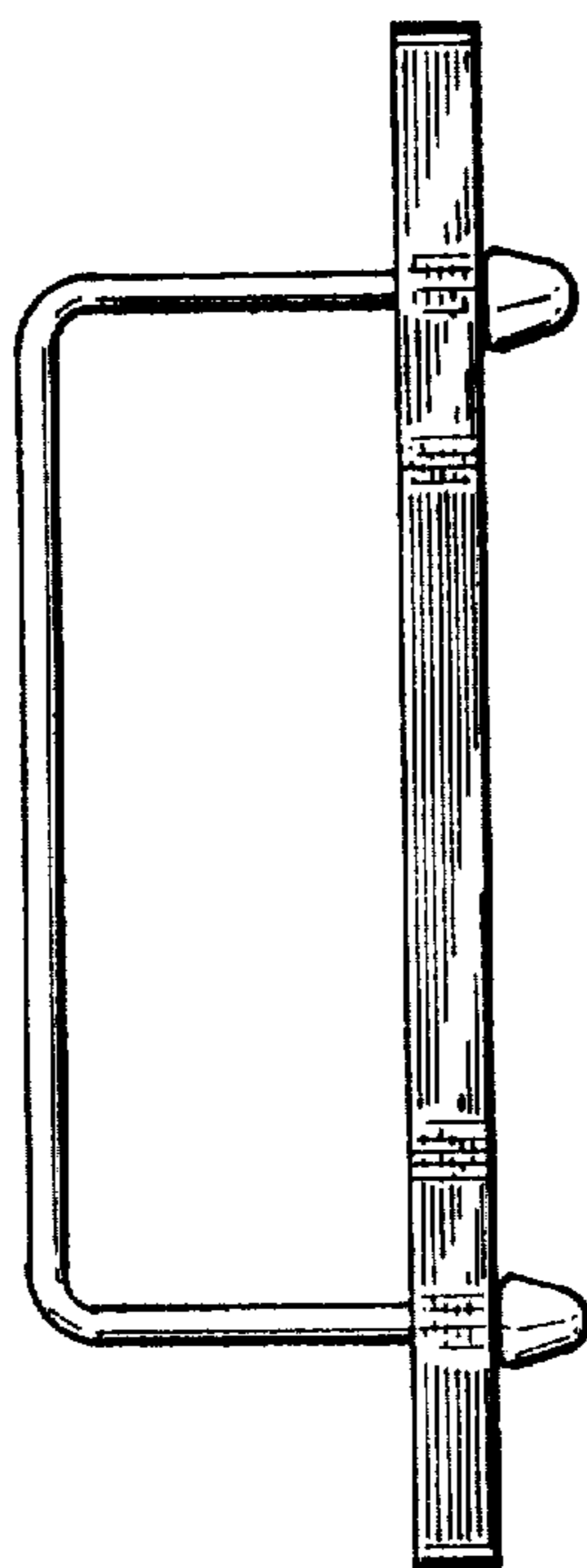


FIG. 3

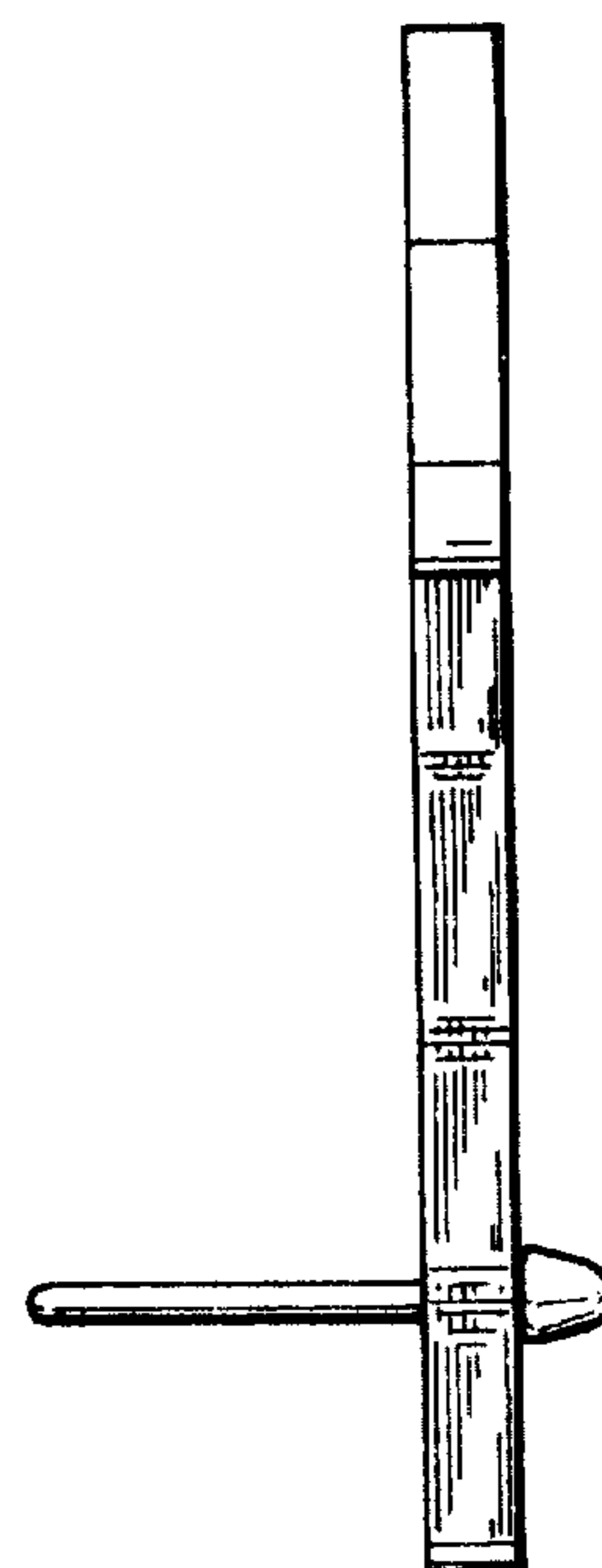


FIG. 4

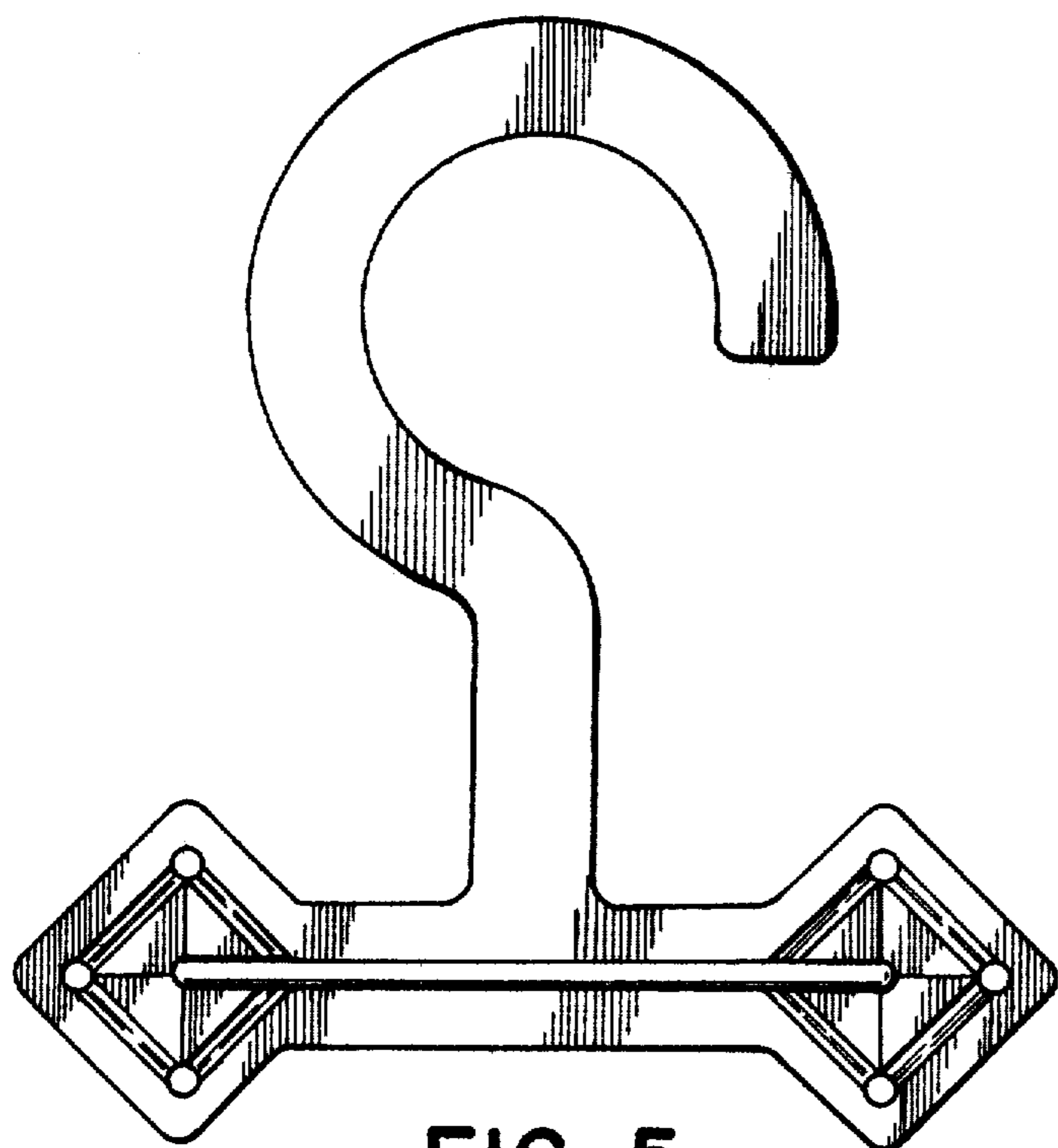


FIG. 5

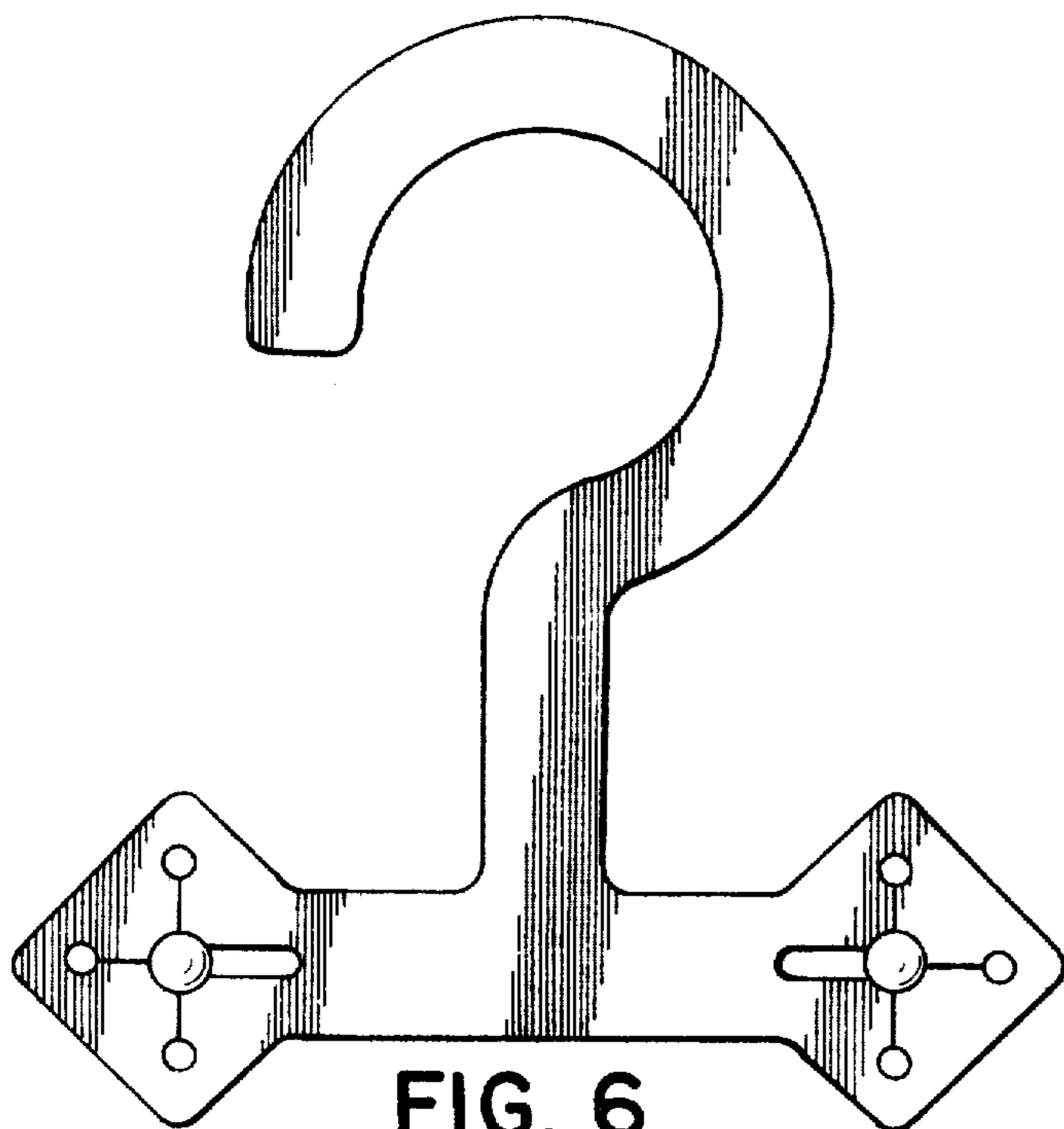


FIG. 6