

[54] **SUPPORT FOR CONCRETE REINFORCEMENT BAR**

[76] Inventor: **Ernest Hernandez**, 1237 Thackery, West Covina, Calif. 91790

[**] Term: **14 Years**

[21] Appl. No.: **241,929**

[22] Filed: **Mar. 9, 1981**

[51] Int. Cl. **D8-08**

[52] U.S. Cl. **D8/356; D6/196; D6/183**

[58] **Field of Search** **D8/354, 356, 367, 372; D6/85, 183, 182, 196; 52/677, 684, 685, 687, 689**

3,255,565 6/1966 Menzel 52/687

3,430,407 3/1969 Berry 52/689

4,025,012 5/1977 Chou et al. D6/182

4,080,770 3/1978 Vigh 52/689

FOREIGN PATENT DOCUMENTS

227969 11/1959 Australia 52/689

431000 8/1967 Switzerland 52/687

Primary Examiner—Wallace R. Burke
Assistant Examiner—Horace B. Fay, Jr.
Attorney, Agent, or Firm—Boniard I. Brown

[57] **CLAIM**

The ornamental design for a support for concrete reinforcement bar, as shown and described.

DESCRIPTION

FIG. 1 is a perspective view of a support for concrete reinforcement bar showing my new design;
 FIG. 2 is a frontal elevational view thereof;
 FIG. 3 is a side elevational view thereof;
 FIG. 4 is a top view thereof;
 FIG. 5 is a bottom view thereof; and
 The side view not shown is the same in appearance as the side shown in FIG. 3.

[56] **References Cited**

U.S. PATENT DOCUMENTS

D. 72,313 3/1927 Flowers D6/183

D. 240,708 7/1976 Ilukowicz D8/356

D. 243,306 2/1977 Moyer D6/196

1,058,908 4/1913 Schoenthaler 52/687

1,123,107 12/1914 Darr 52/689

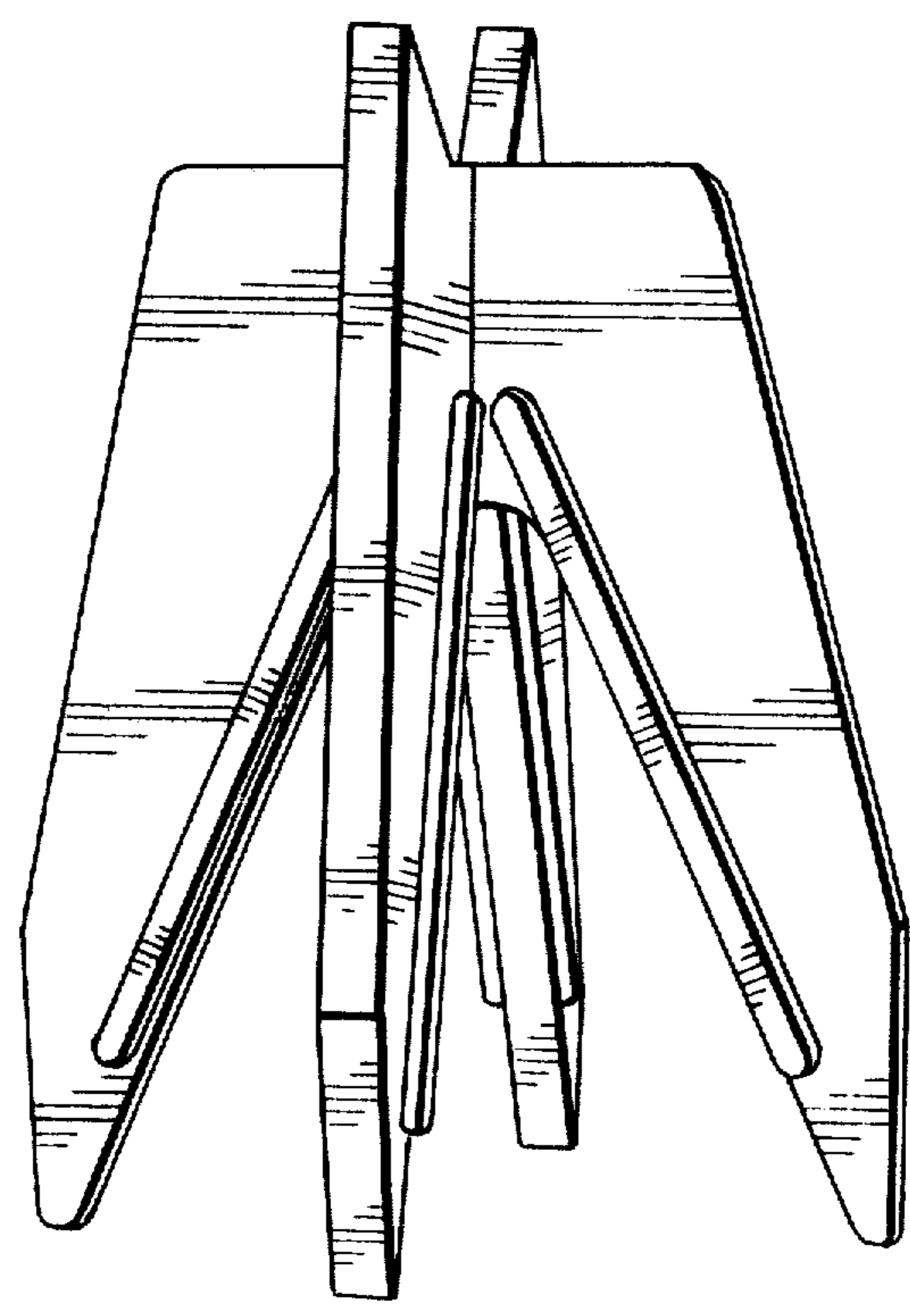


FIG-1

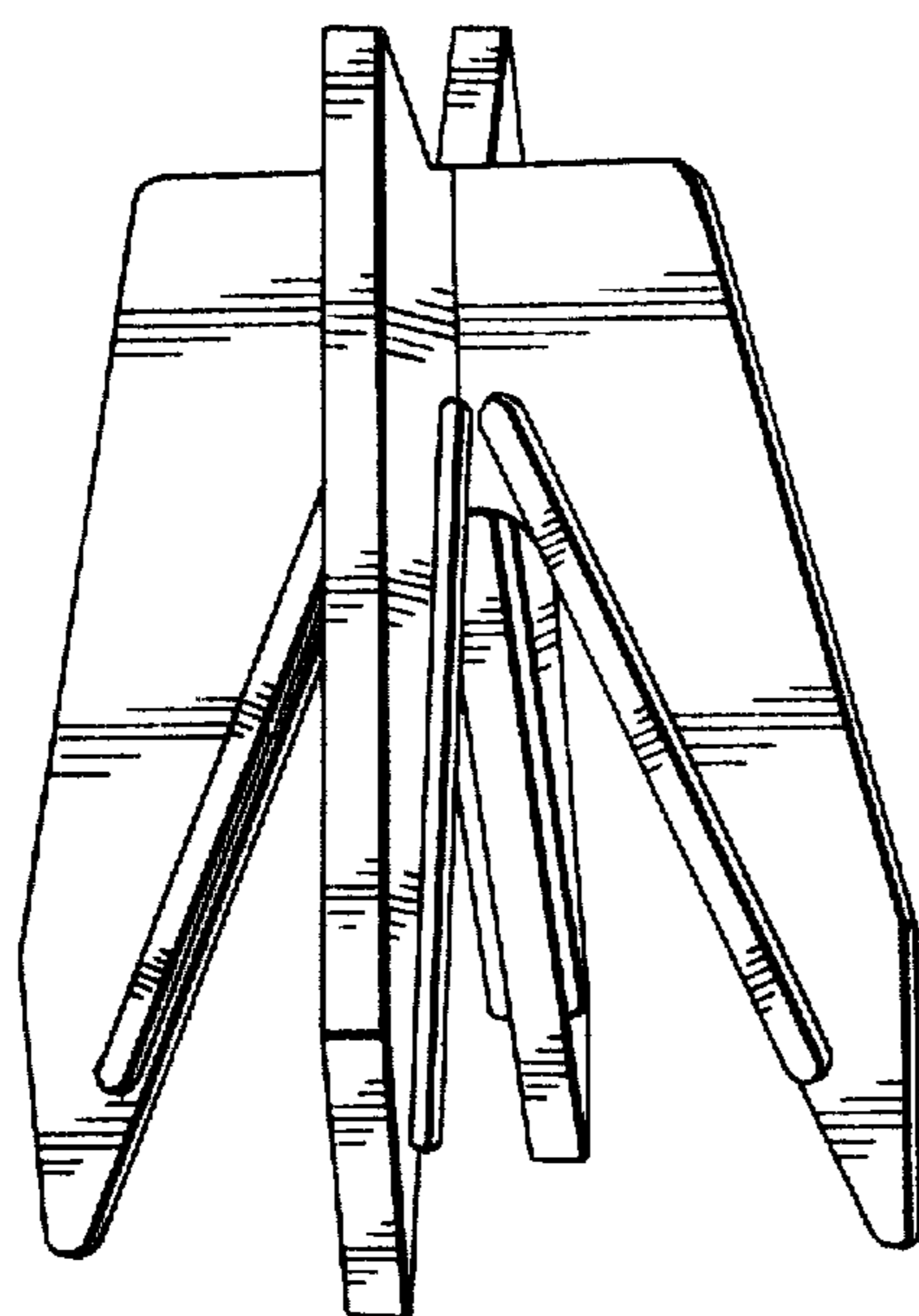


FIG-2

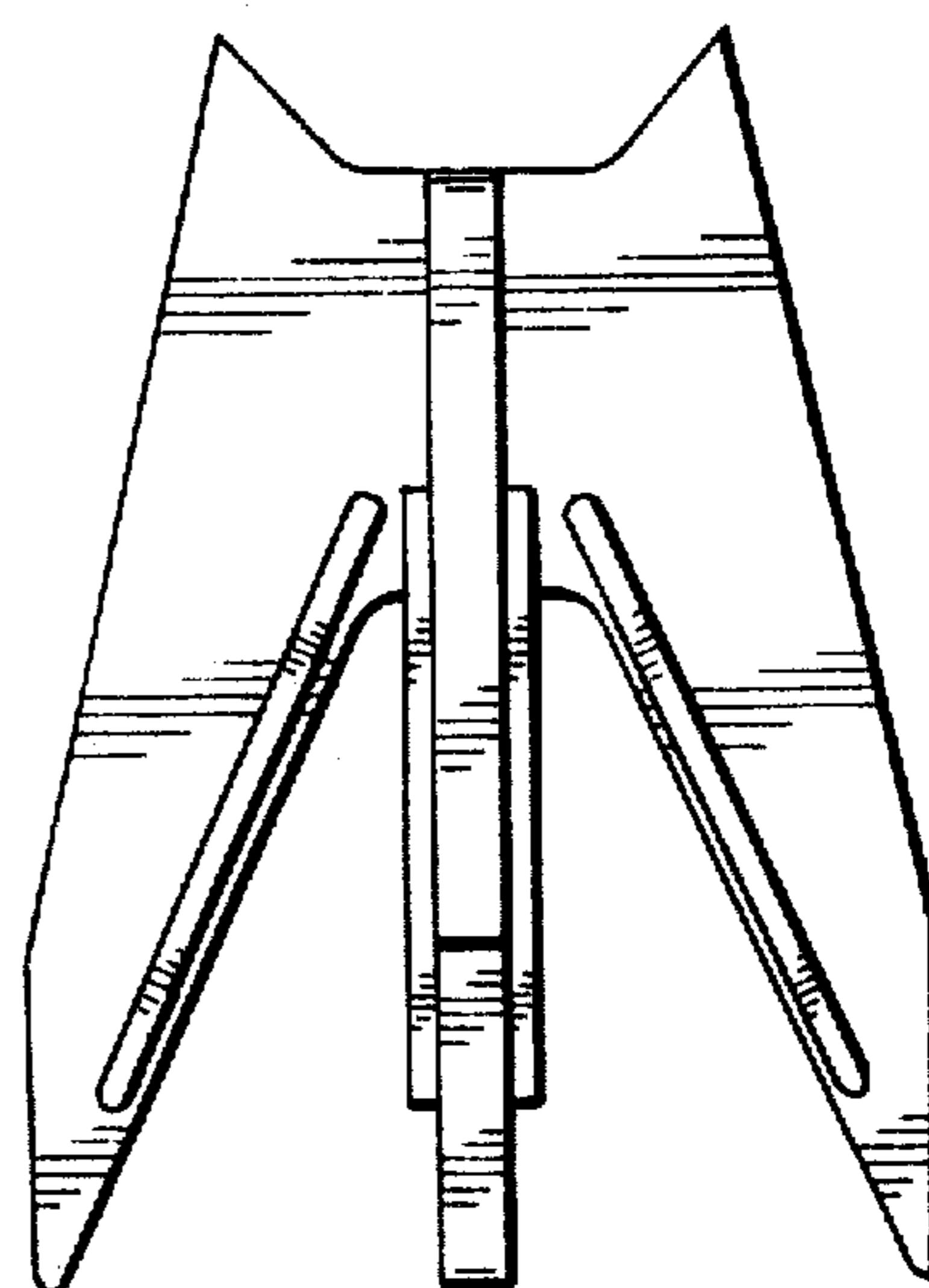


FIG-3

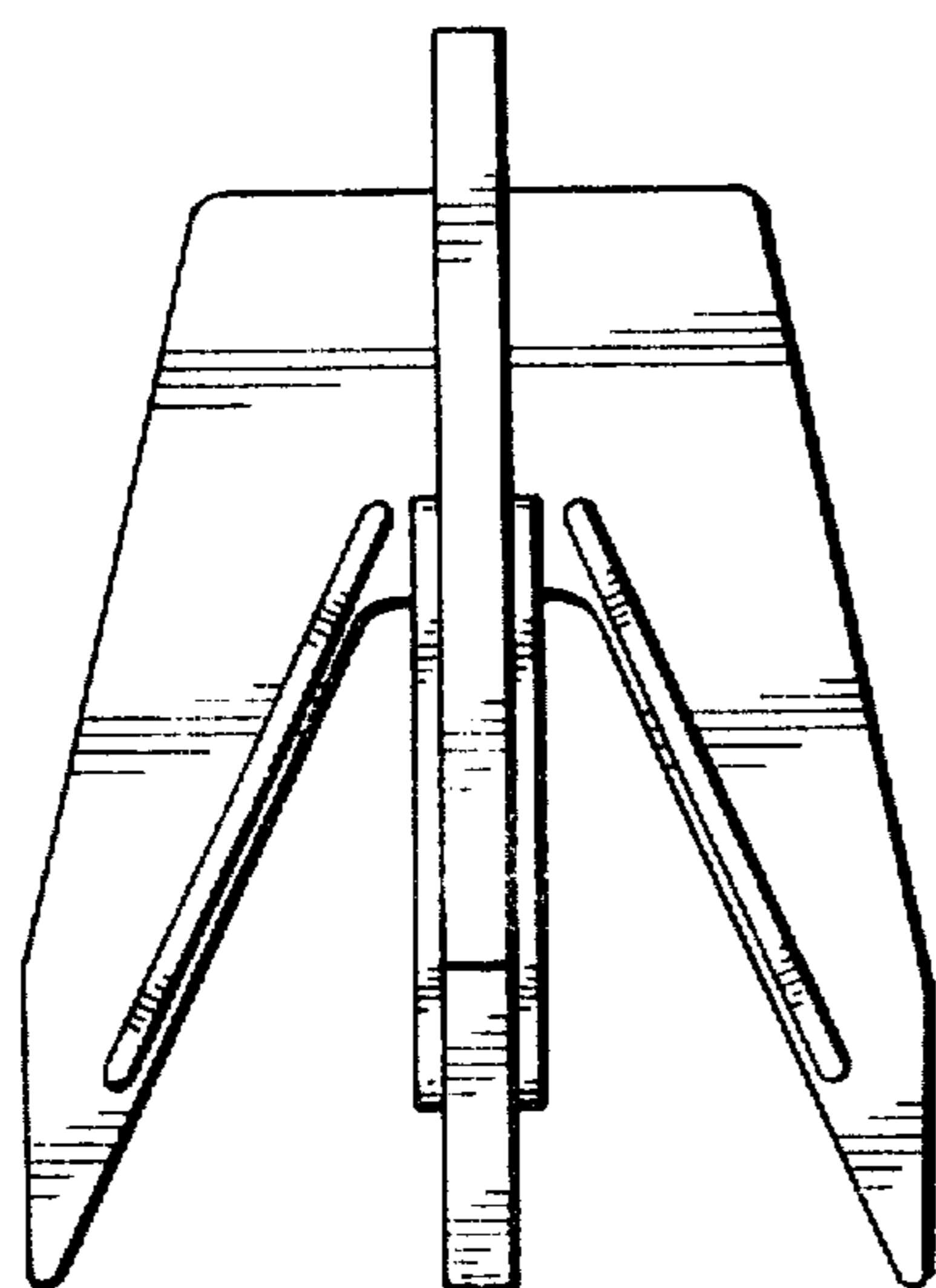


FIG-4

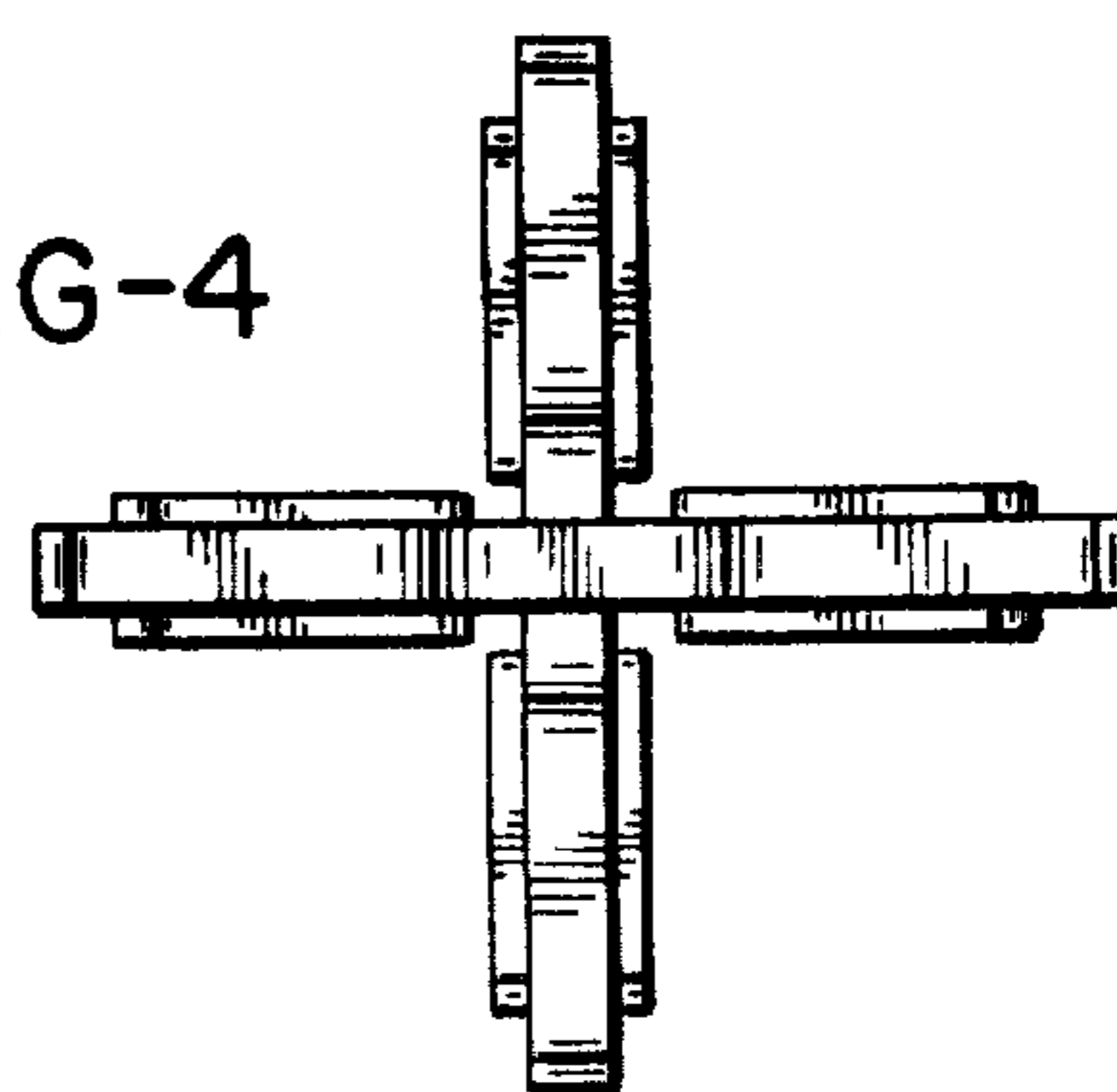


FIG-5

