

[54] **CUSHION**

[76] Inventor: **Daniel F. Huntsinger**, 15253 Jupiter St., Whittier, Calif. 90603

[**] Term: **14 Years**

[21] Appl. No.: **194,767**

[22] Filed: **Oct. 7, 1980**

[51] Int. Cl. **D6-09**

[52] U.S. Cl. **D6/201**

[58] Field of Search **D6/201, 200; 5/431, 5/434, 436, 443, 448; D24/64**

[56] **References Cited**

U.S. PATENT DOCUMENTS

- D. 214,302 6/1969 Barber D6/201
- D. 222,349 10/1971 Sorensen D6/201 X
- D. 260,591 9/1981 Eischen 5/431 X
- 2,940,088 6/1960 Boos 5/436

4,259,757 4/1981 Watson 5/434

FOREIGN PATENT DOCUMENTS

2409326 9/1975 Fed. Rep. of Germany 5/436

Primary Examiner—Jane E. Corrigan
Attorney, Agent, or Firm—Edgar W. Averill, Jr.

[57] **CLAIM**

The ornamental design for a cushion, as shown and described.

DESCRIPTION

FIG. 1 is a front, top and left side perspective view of a cushion showing my new design;
FIG. 2 is a front elevational view;
FIG. 3 is a rear elevational view;
FIG. 4 is a bottom plan view;
FIG. 5 is a top plan view;
FIG. 6 is a side elevational view; and
FIG. 7 is a sectional view taken along lines 7-7 of FIG. 1.

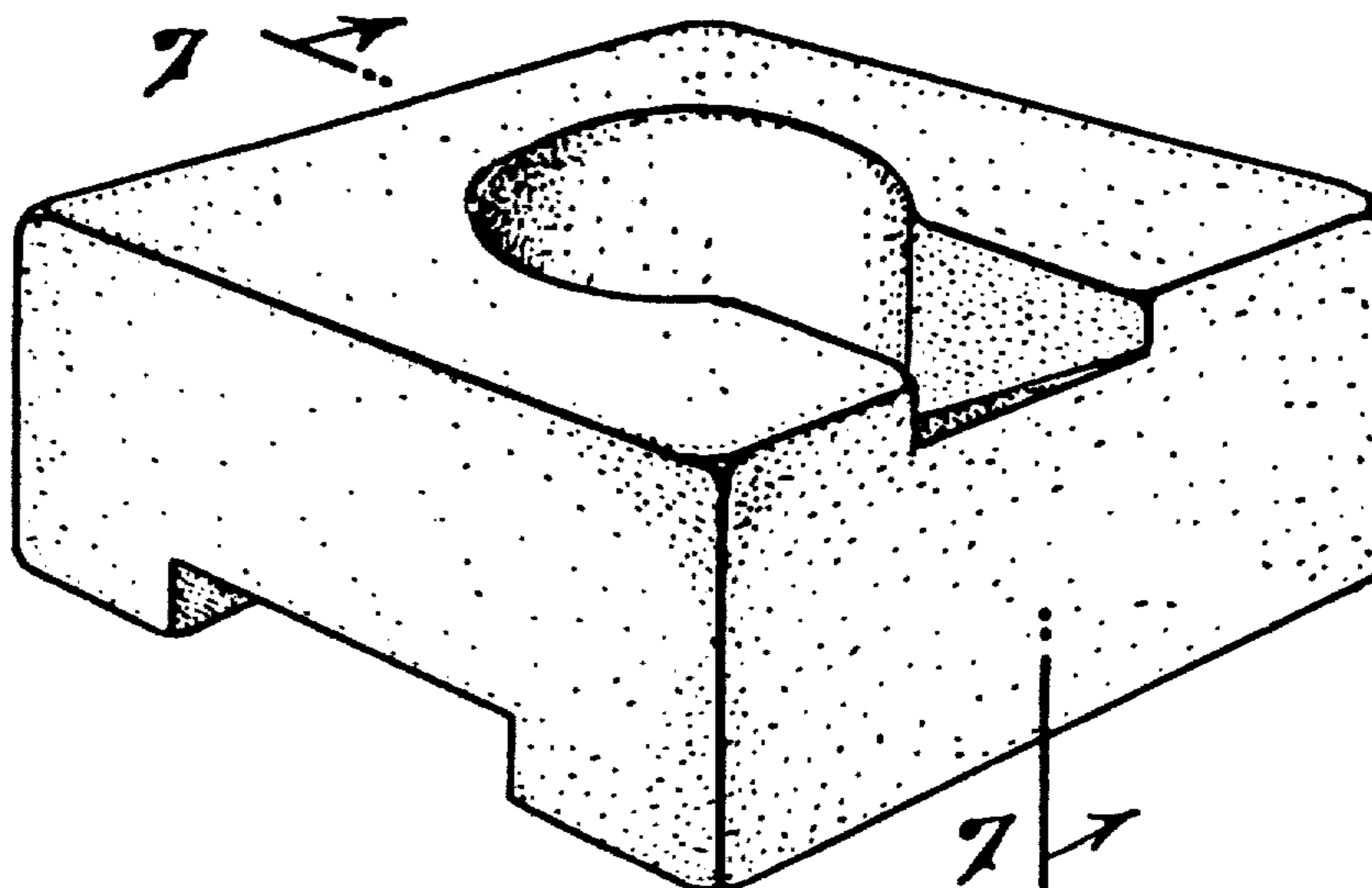


FIG. 1.

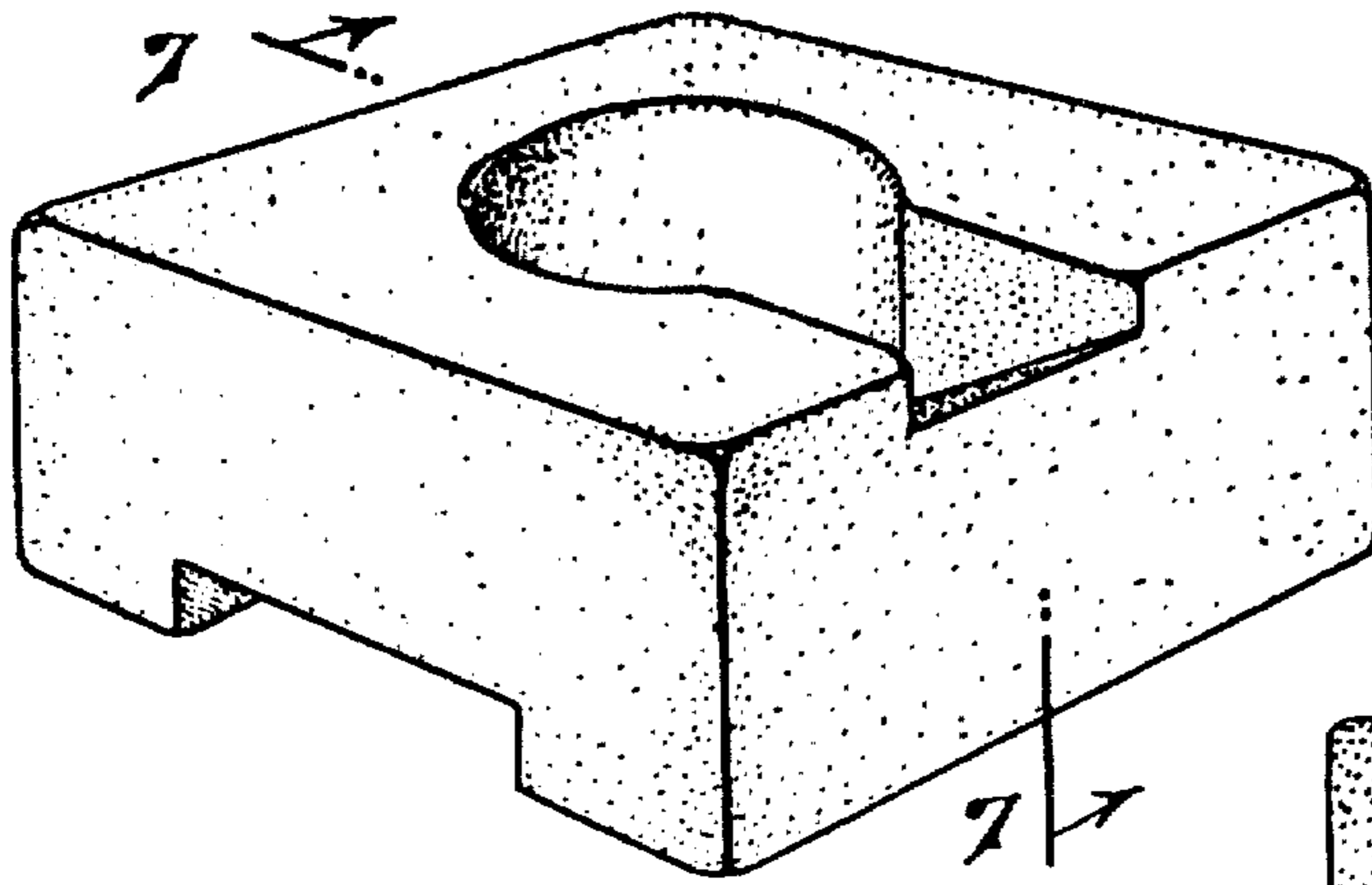


FIG. 2.

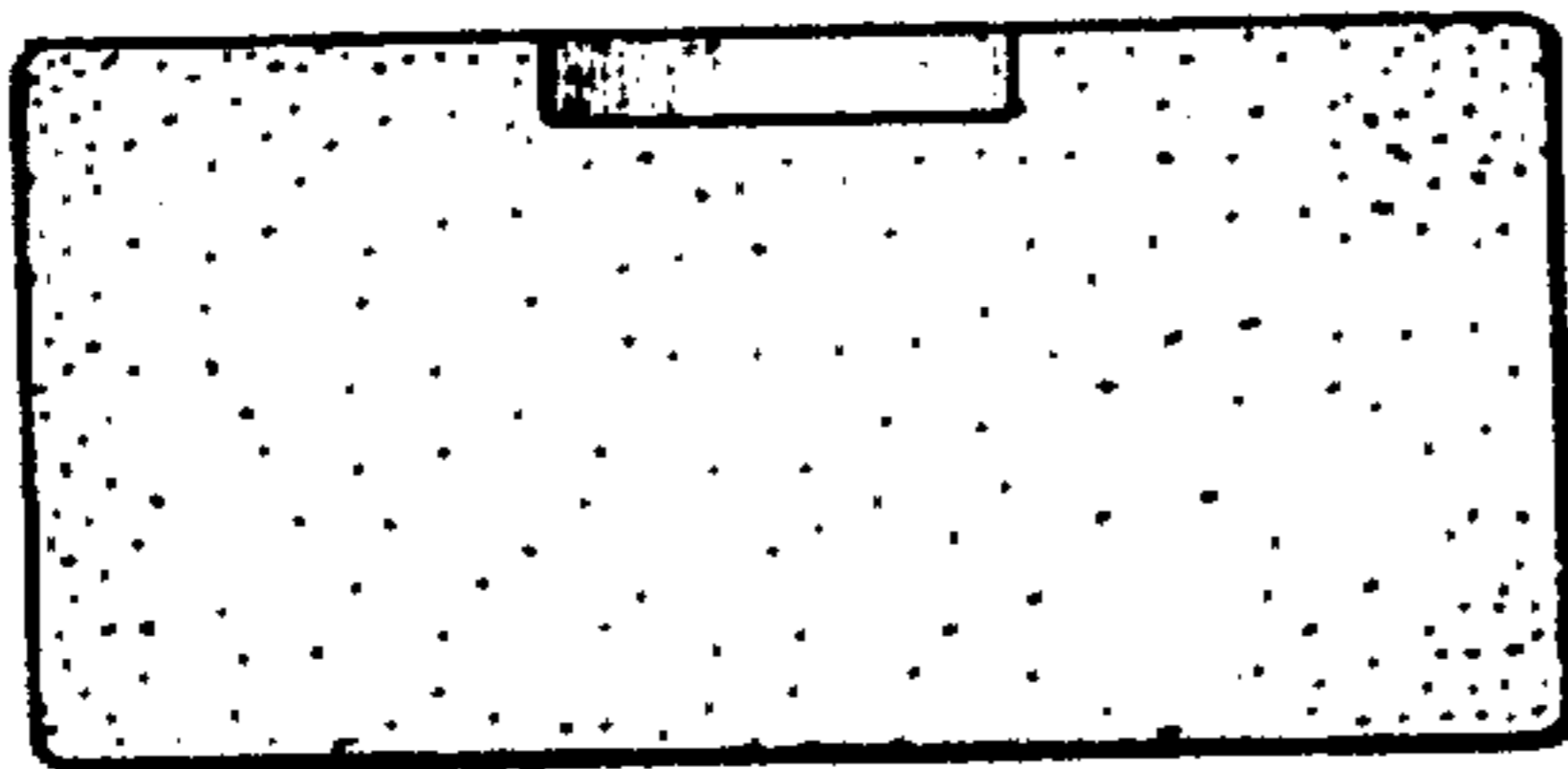


FIG. 3.

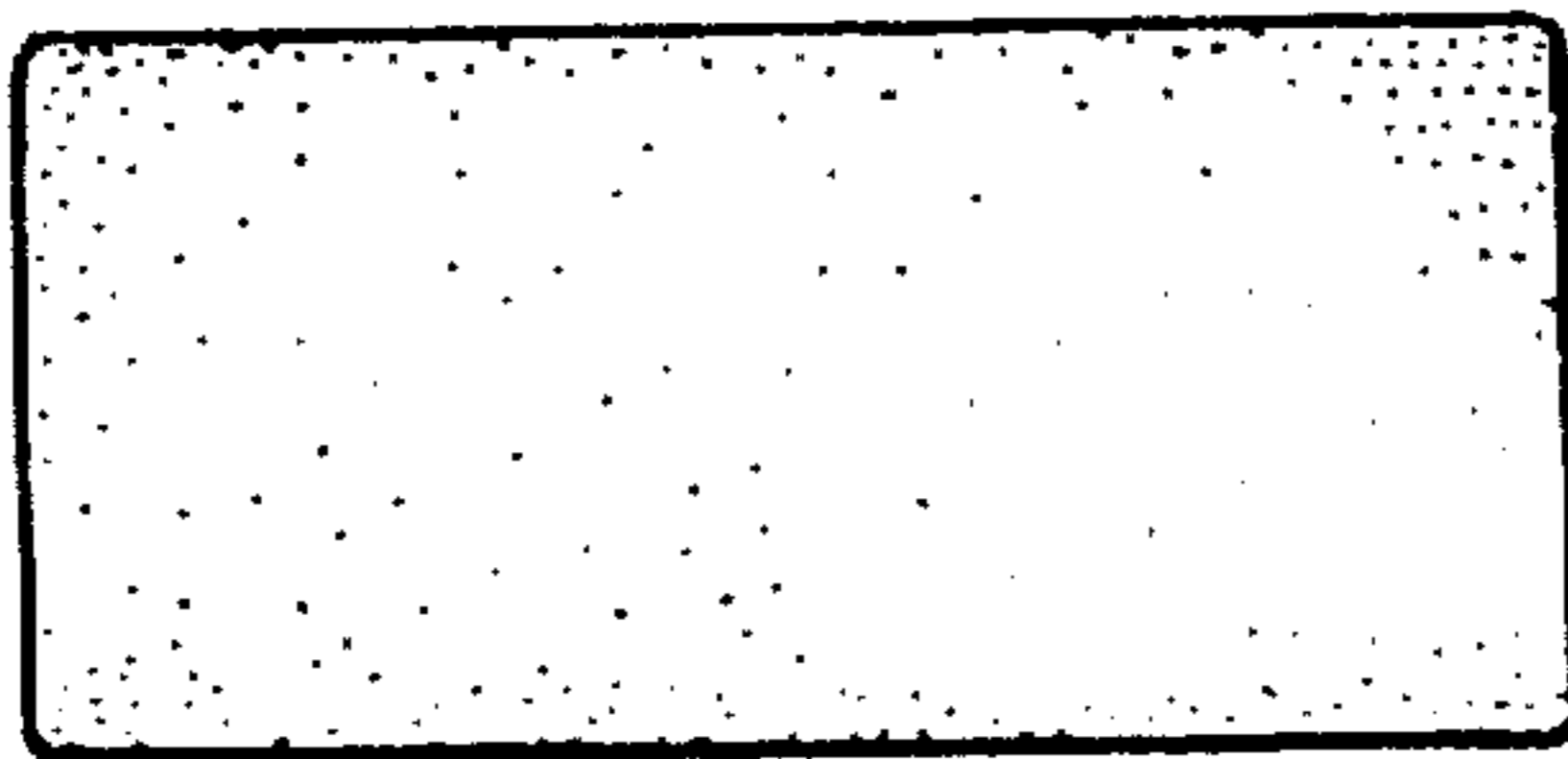


FIG. 4.

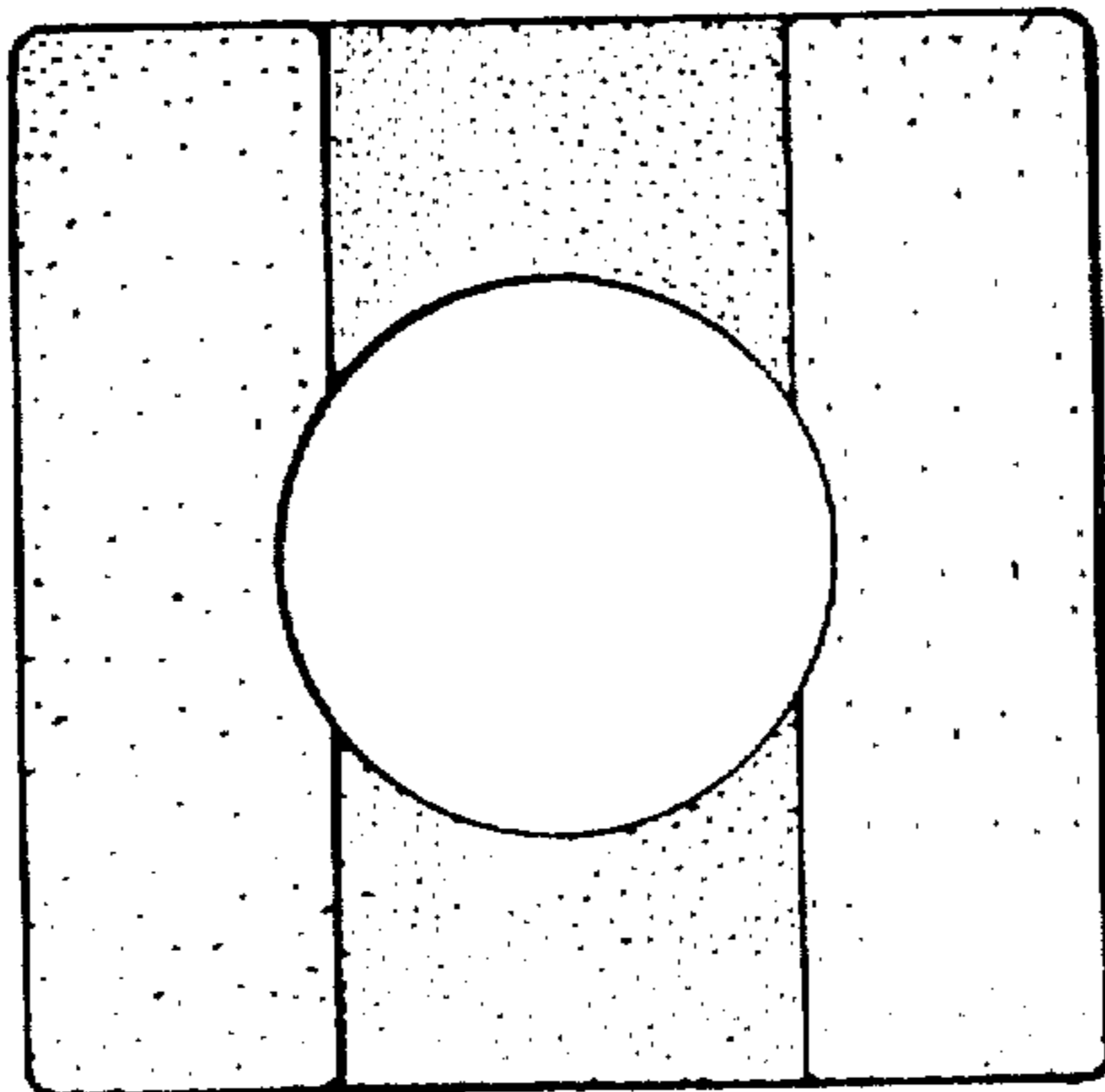


FIG. 5.

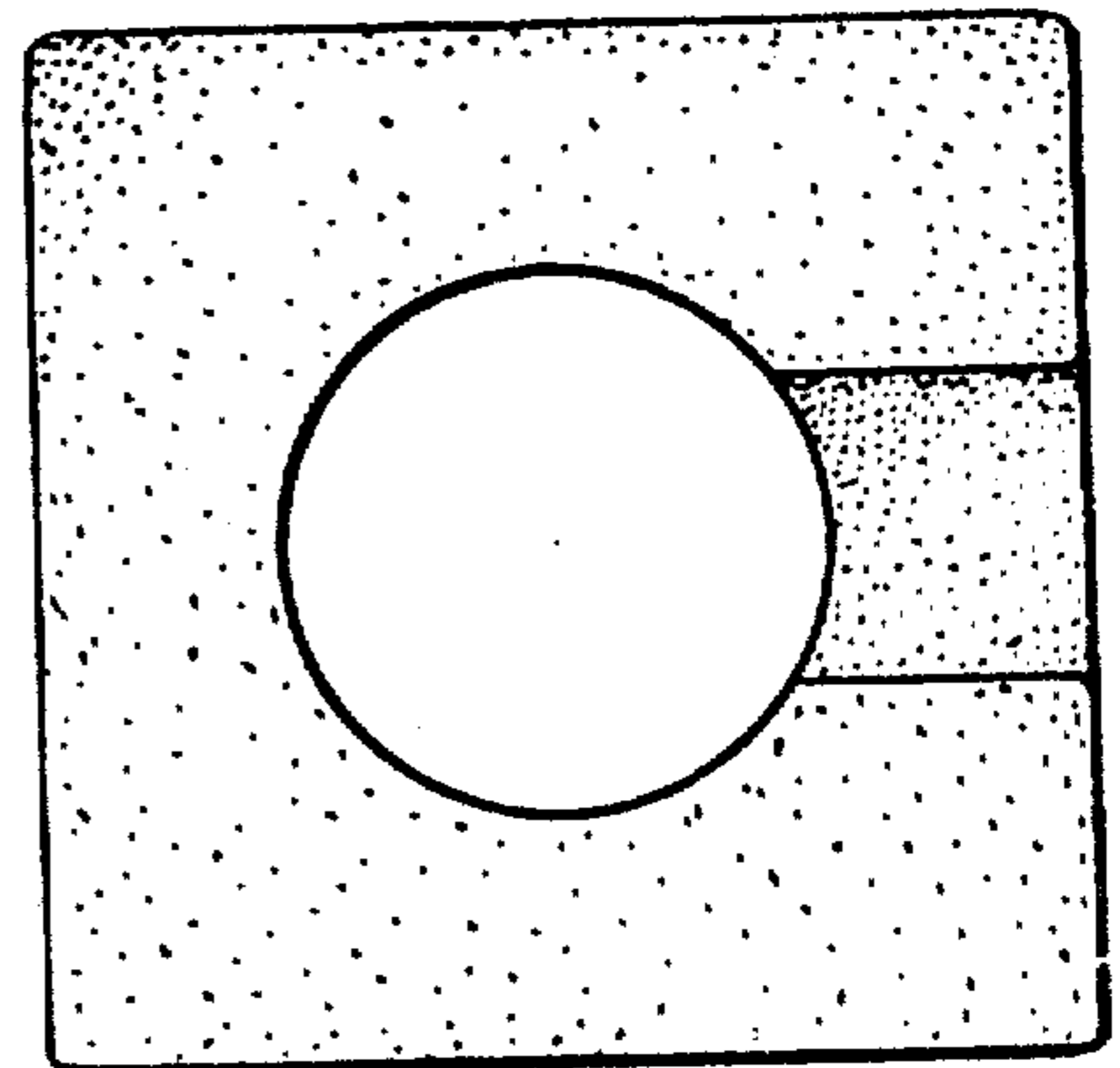


FIG. 6.

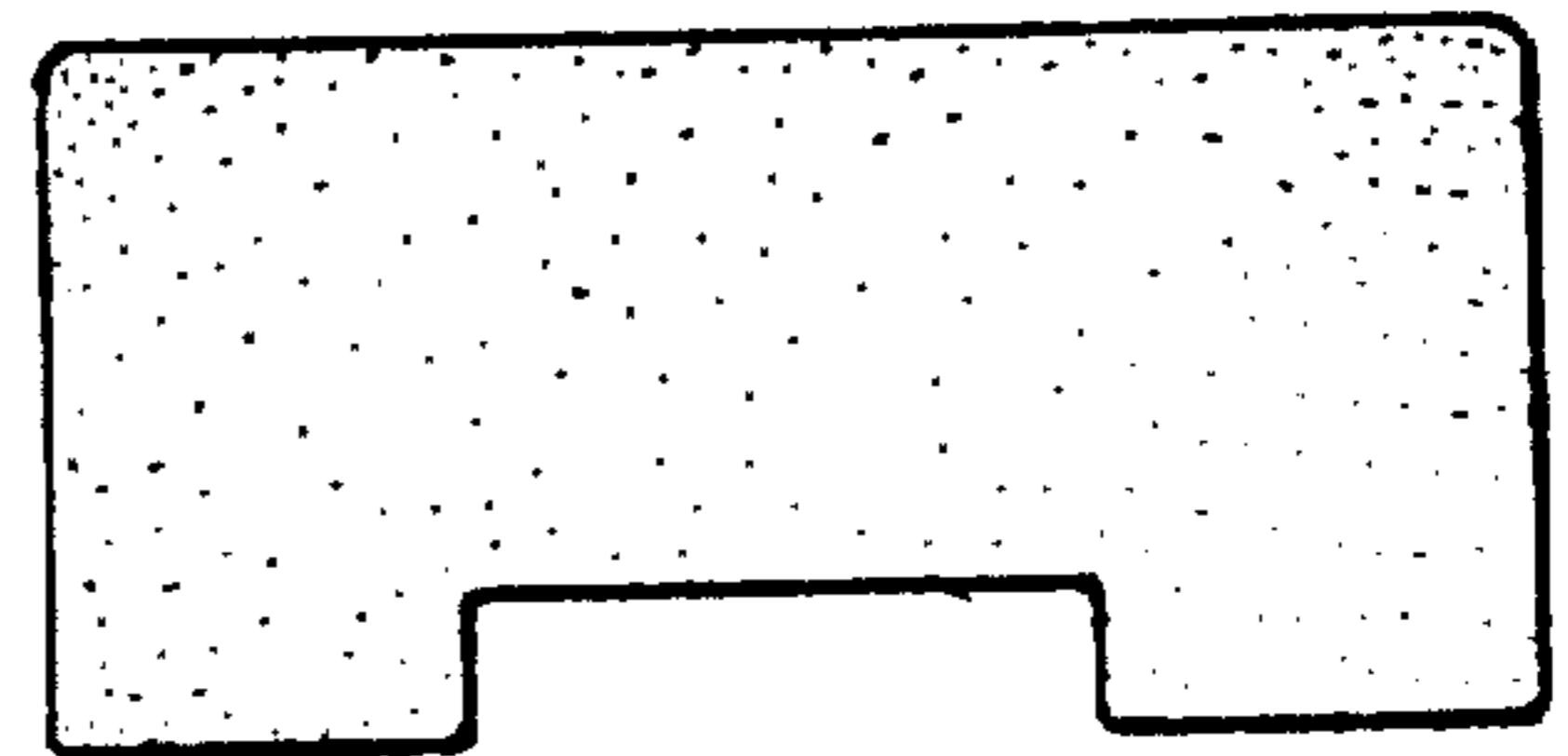


FIG. 7.

